

Windshield Glass

GLASS/WINDOWS/MIRRORS

13. Windshield Glass

A: REMOVAL

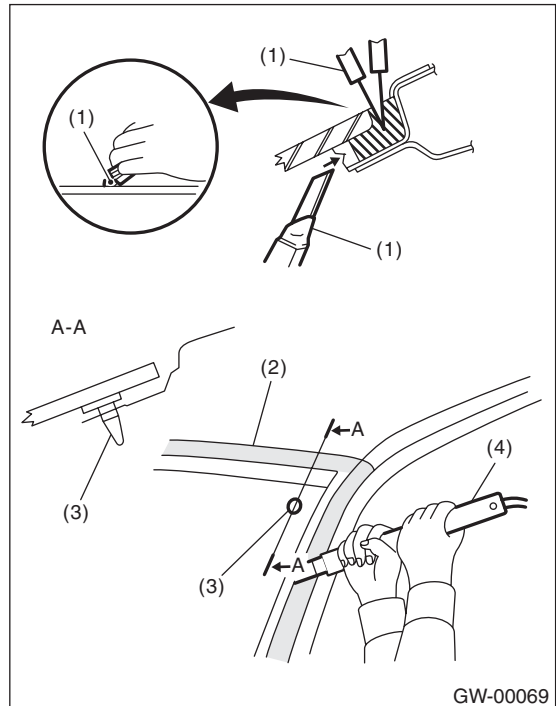
1. WHEN USING THE WINDSHIELD GLASS KNIFE

- 1) Remove the cowl panel. <Ref. to EI-31, REMOVAL, Cowl Panel.>
- 2) Remove the glass molding.
- 3) Tape the body side of the circumference of windshield glass for protection.
- 4) Apply sufficient amount of soapy water to the adhesive part.
- 5) Make a cut in the adhesive part using a putty knife so that windshield glass knife can be inserted easily.
- 6) Insert the windshield glass knife into adhesive part.
- 7) While holding the knife edge and windshield glass edge at a right angle, move the windshield glass knife in parallel to the windshield glass edge along the surface and edge of windshield glass to cut the adhesive part.

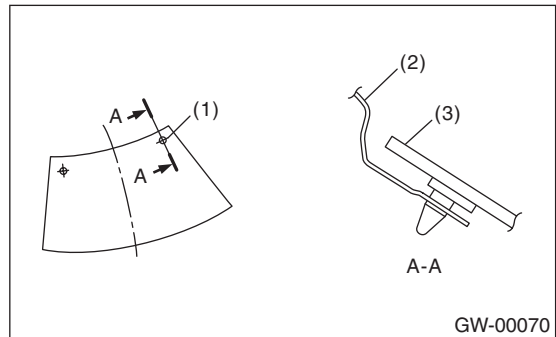
NOTE:

- Do not twist the windshield glass knife.
- Cutting of adhesive part shall be started with wider gap between windshield glass and body.
- Because the locating pins are bonded to the corners of glass, use piano wire to cut the pin.

- 8) For model with wiper deicer, detach the front pillar trim, then disconnect the harness connector.



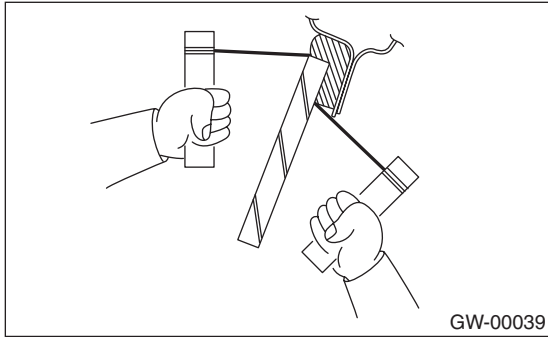
- (1) Putty knife
- (2) Tape for protection
- (3) Locating pin
- (4) Windshield glass knife



- (1) Locating pin
- (2) Body panel
- (3) Glass

2. USING PIANO WIRE

- 1) Remove the cowl panel. <Ref. to EI-31, REMOVAL, Cowl Panel.>
- 2) Remove the front molding.
- 3) Tape the body side of the circumference of windshield glass for protection.
- 4) Make a hole in the adhesive part using drill or knife.
- 5) Pass the piano wire through the hole, and attach securely both the wire ends to pieces of wood.



- 6) Pull the wire ends alternately to cut off the adhesive part.

CAUTION:

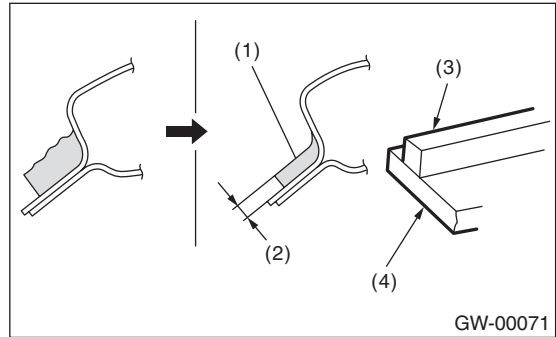
- Do not tightly pull the piano wire against the windshield glass edge.
- Be careful not to damage interior and exterior parts.
- When removal is made with area close to instrument panel, place a protection plate over it. Pay particular attention to the removal.
- Do not cross piano wires. Otherwise they may be cut.

B: INSTALLATION

- 1) Clean the external circumference of windshield glass with alcohol or white gasoline.
- 2) Remove the adhesive layer on the body using cutter knife to obtain smooth face of 2 mm (0.08 in) thick.

CAUTION:

Be careful not to damage the body and paint surface.



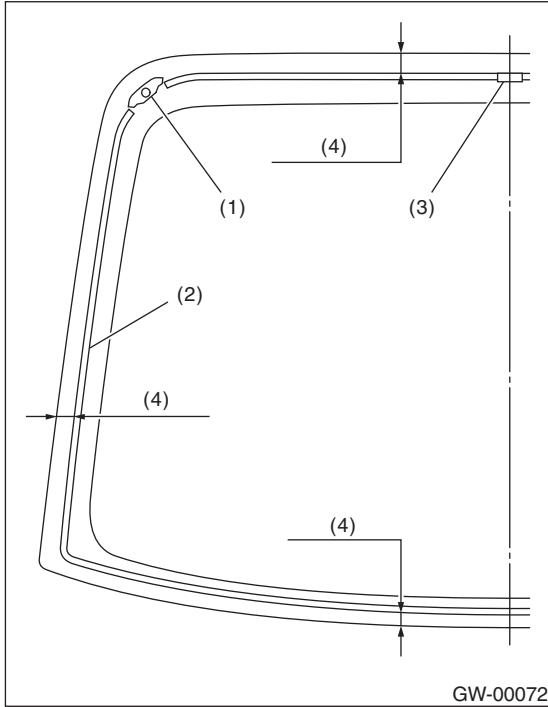
- (1) Adhesive
- (2) 2 mm (0.08 in)
- (3) Dam rubber
- (4) Glass

- 3) Clean the body with alcohol or white gasoline to eliminate cutting powder, dust and dirt completely from body.

Windshield Glass

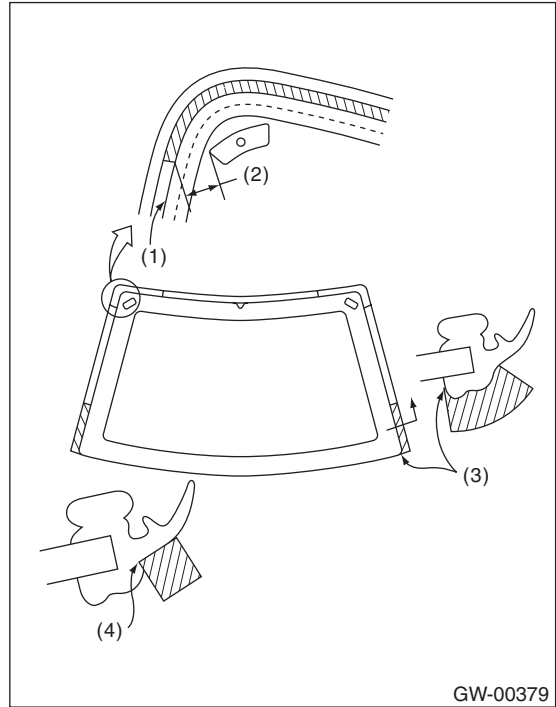
GLASS/WINDOWS/MIRRORS

4) Adhere the dam rubber to the glass back surface.



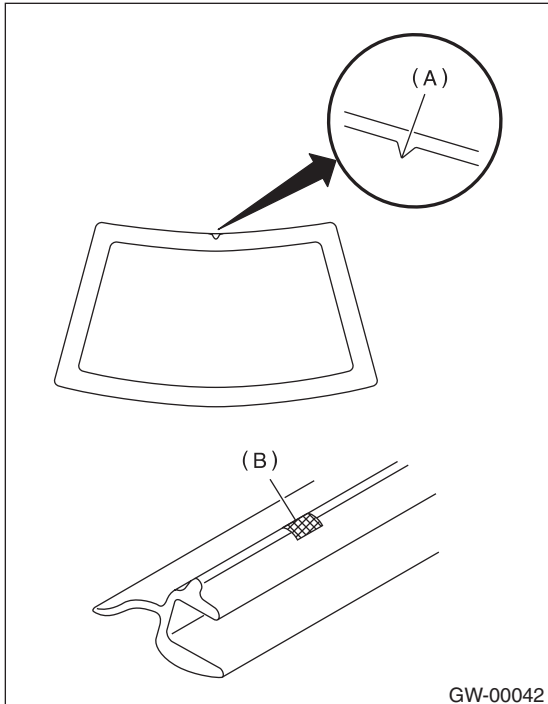
- (1) Locating pin
- (2) Dam rubber
- (3) Fastener
- (4) 13 mm (0.51 in)

6) Install the seal A and seal B to the molding back side.



- (1) Backside lip R stopper
- (2) 73 mm (2.87 in)
- (3) Reference position (edge) when affixing the seal A
- (4) Reference position (lip R stopper) when affixing the seal B

5) Peel away the backing paper of the double-sided tape. Align the molding mark (B) with the notch (A), affix the molding to the entire circumference of the edge of the glass, and press uniformly.



7) Apply the primer to the adhesive surface of glass using sponge.

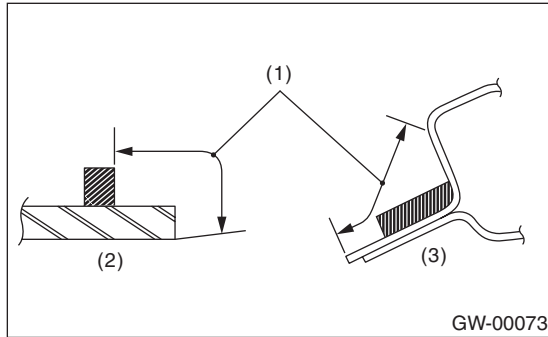
Glass primer:
Dow Automotive
U-401 and U-402

8) Apply the primer to the adhesive surface of body.

Painted surface primer:
Dow Automotive
U-413

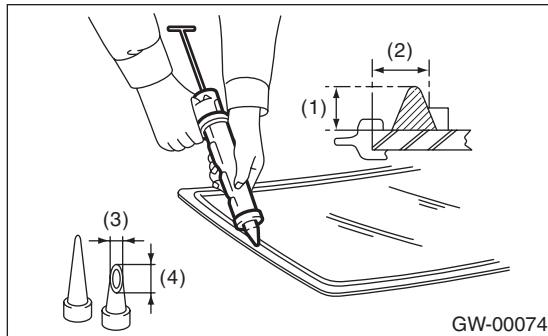
NOTE:

- Primer once attached to the painted surface of the body and the internal trim is hard to wipe off. Mask the circumference of such area.
- Let primer dry for about ten minutes before installing the glass.
- Do not touch the surface coated with primer.



- (1) Application of primer
 (2) Glass side
 (3) Body side

9) Cut off the cartridge nozzle tip as shown and set it in sealant gun.

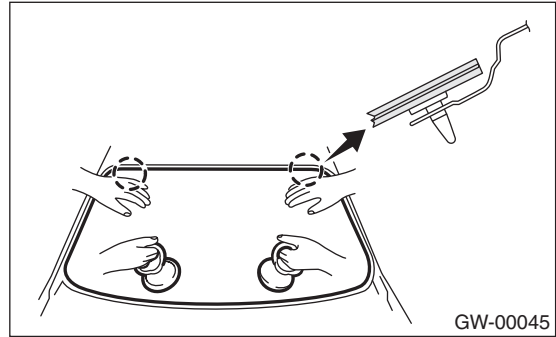


- (1) 10 — 13 mm (0.39 — 0.51 in)
 (2) 13 mm (0.51 in)
 (3) 10 mm (0.39 in)
 (4) 15 mm (0.59 in)

10) Apply adhesive to the glass end surface as shown.

Adhesive:
Dow Automotive
ESSEX U-400 HV

11) Fit the locating pins using suction rubber cup to install windshield glass.



- 12) Lightly press the windshield glass for tight fit.
 13) Make flush the adhesive surface juttred out using spatula.
 14) After completion of all work, allow the vehicle to stand for about 24 hours.

NOTE:

- When door is opened/closed after glass is bonded, always lower the door glass first, and then open/close it carefully.
- Move the vehicle slowly.
- For minimum drying time and vehicle standing time before driving after bonding, follow instructions or instruction manual from the adhesive manufacturer.

15) After curing of adhesive, pour the water on external surface of vehicle to check that there are no water leaks.

NOTE:

When a vehicle is returned to the user, tell him or her that the vehicle should not be subjected to heavy impact for at least three days.

16) Install the cowl panel. <Ref. to EI-31, INSTALLATION, Cowl Panel.>