

Speedometer

INSTRUMENTATION/DRIVER INFO

4. Speedometer

A: REMOVAL

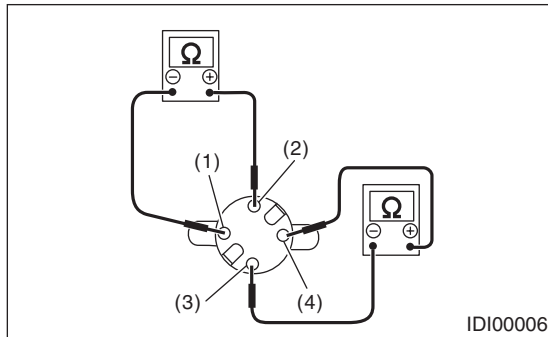
Disassemble the combination meter, and then remove the speedometer. <Ref. to IDI-11, DISASSEMBLY, Combination Meter.>

B: INSTALLATION

Install in the reverse order of removal.

C: INSPECTION

Measure the speedometer resistance.



- (1) COS-
- (2) COS+
- (3) SIN-
- (4) SIN+

Terminals	Specified resistance
SIN+ and SIN- terminal	200±8 Ω
COS+ and COS- terminal	200±8 Ω

If defective, replace the speedometer.
If OK, replace the combination meter printed circuit.