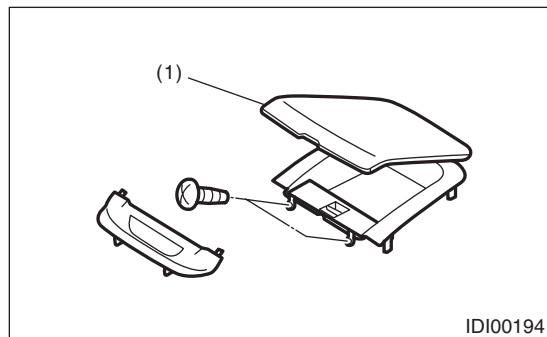


## 9. Clock

### A: REMOVAL

- 1) Disconnect the ground cable from the battery.
- 2) Remove the center compartment. <Ref. to EI-50, REMOVAL, Instrument Panel Center Compartment.>
- 3) Remove the clock from the center compartment.



(1) Center compartment

### B: INSTALLATION

Install in the reverse order of removal.

