

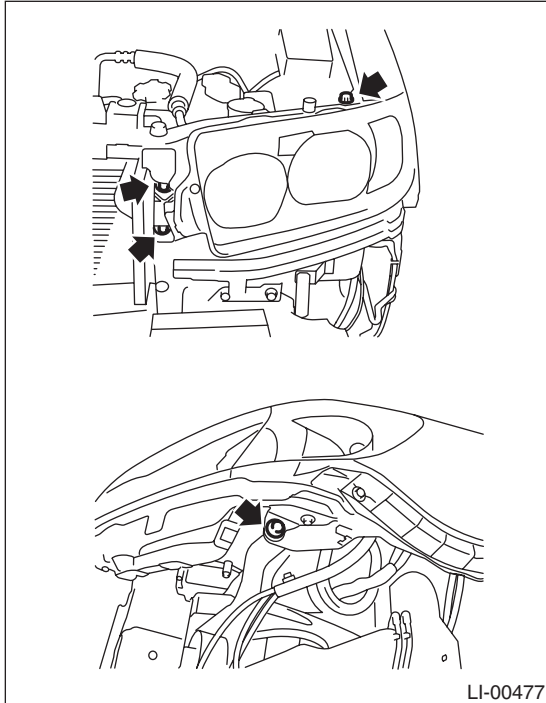
# Headlight Assembly

## LIGHTING SYSTEM

### 9. Headlight Assembly

#### A: REMOVAL

- 1) Disconnect the ground cable from the battery.
- 2) Remove the air intake duct (when right side headlight is removed). <Ref. to IN (H4SO)-5, REMOVAL, Air Cleaner Case.>
- 3) Remove the front bumper. <Ref. to EI-21, REMOVAL, Front Bumper.>
- 4) Remove the four bolts and disconnect the connectors, and then detach the headlight assembly.



#### B: INSTALLATION

Install in the reverse order of removal.

#### C: DISASSEMBLY

##### 1. LENS

###### CAUTION:

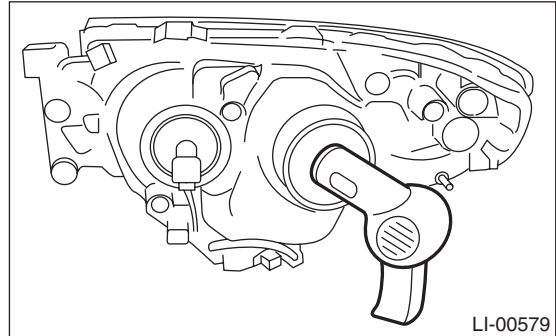
- Do not touch the bulb glass portion.
- Do not touch inside the lens (extension portion) or reflector portion.
- Replace the packing with a new part.

- 1) Remove the headlight assembly. <Ref. to LI-10, REMOVAL, Headlight Assembly.>
- 2) Disconnect the headlight bulb connector.
- 3) Remove the back cover and then remove the bulb.

- 4) Use a drier to warm up the area around the seal through the bulb installation hole.

###### CAUTION:

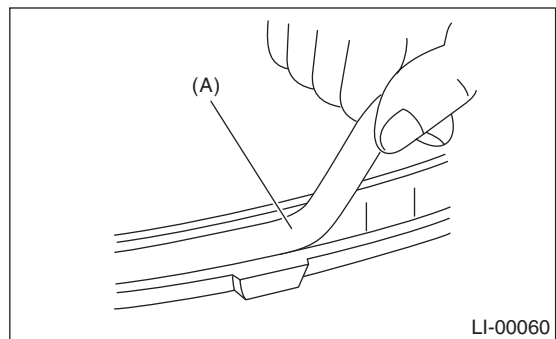
**Avoid heating one specific point of the seal portion and heating the headlight assembly to 120°C (248°F) or more.**



- 5) Remove the hook, and then take the lens off the headlight assembly.
- 6) Remove the packing (A) from seal groove.

###### CAUTION:

**Completely remove the packing not to leave any residue behind.**



(A) Packing

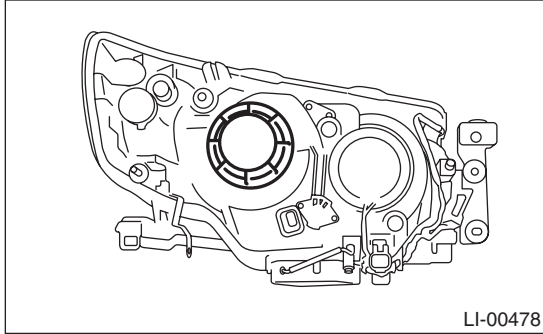
##### 2. HID HEADLIGHT BALLAST

###### CAUTION:

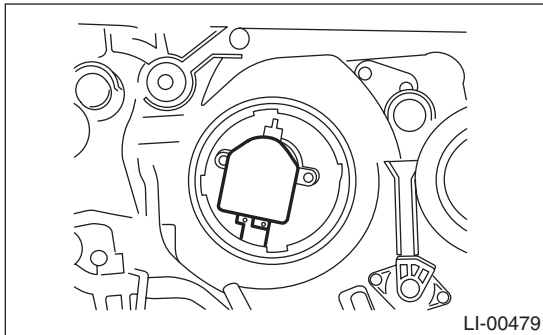
- Do not operate with wet hands.
- As the lightening circuit on the HID headlights uses high voltage, be sure to confirm that the power supply is turned off before working on it.
- Do not leave the headlight without a ballast for a long time. Dust, moisture, etc. entering the headlight may affect its performance.

- 1) Disconnect the ground cable from the battery.
- 2) Remove the headlight assembly. <Ref. to LI-10, REMOVAL, Headlight Assembly.>

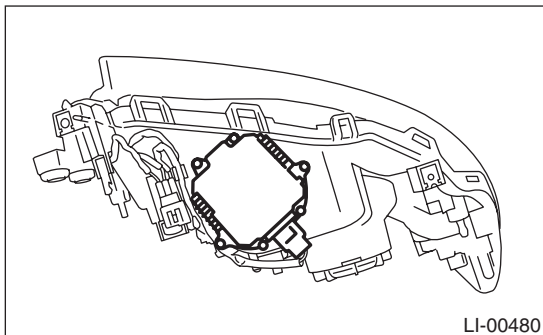
3) Remove the back cover.



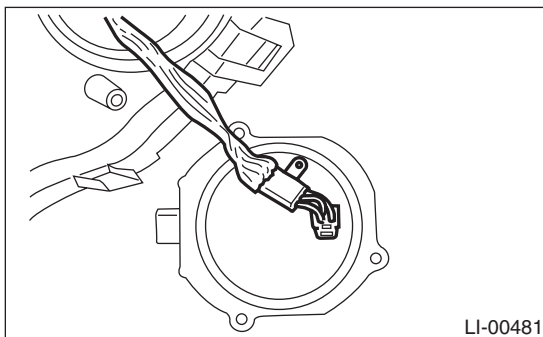
4) Disconnect the harness connector.



5) Loosen the screws to remove ballast.



6) Disconnect the connector from the headlight ballast.



**CAUTION:**  
Be careful because the notch is easily bent.

7) Turn the beam adjustment screw so that the beam is facing upward, then create space for the socket portion to pass through the inside of the light.

**CAUTION:**  
The reflector should not interfere with the extension case.

8) Place the socket portion toward the front side of the reflector bracket.

9) Turn the beam adjustment screw so that the beam is facing downward, then create space for the socket portion to pass under the reflector bracket.

**CAUTION:**  
The reflector should not interfere with the extension case.

10) Remove the socket from headlight from below the housing.

**CAUTION:**  
The socket should not get sandwiched between the reflector and the light housing.

# Headlight Assembly

## LIGHTING SYSTEM

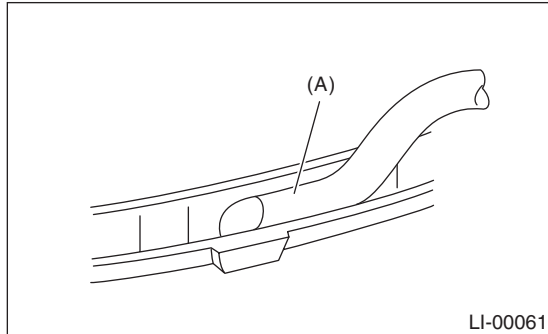
### D: ASSEMBLY

#### 1. LENS

- 1) Cut the tip of packing (A) at an angle of 45°.
- 2) With the cut end facing upward, insert packing (A) into the seal groove.

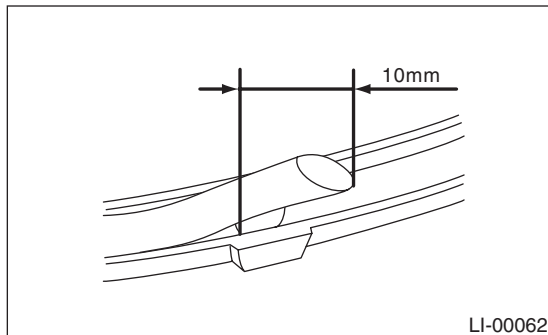
#### CAUTION:

- If the packing protrudes, slowly take it off the groove.
- Do not stretch the packing. If the packing is stretched, seal fails.



(A) Packing

- 3) After making a round of the seal, cut its tip at an angle of 45°, with its length 10 mm (0.39 in) longer than the circumference of seal so that the tip overlaps the other. Then, press it onto the seal, using a screwdriver.



- 4) Match the positions of the lens and headlight assembly, and then insert the lens into the headlight assembly.
- 5) Engage the hooks.
- 6) Put the seal portion of headlight assembly into the water and check that water does not enter inside the headlight.

#### CAUTION:

**Be sure that water does not enter inside the headlight through the bulb socket and ventilation hole.**

### E: ADJUSTMENT

#### 1. HEADLIGHT AIMING

#### CAUTION:

**Turn off the light before adjusting the headlight aiming. If it is necessary to inspect the aiming, do not turn on the light for more than two minutes.**

#### NOTE:

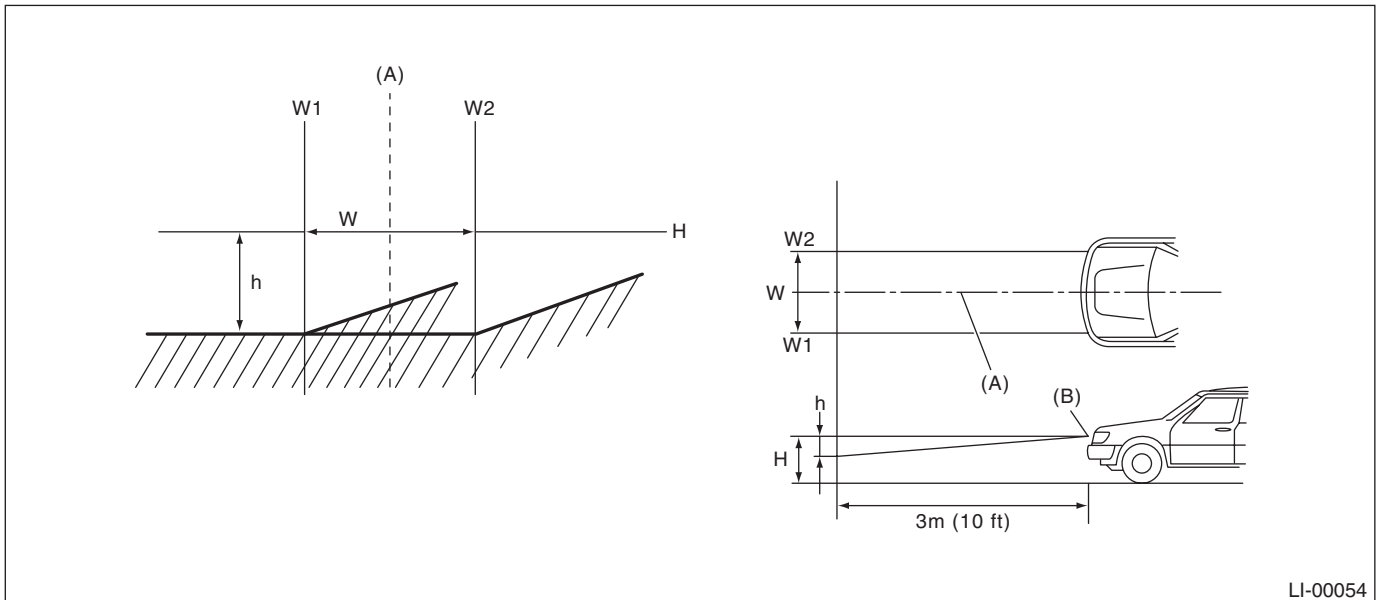
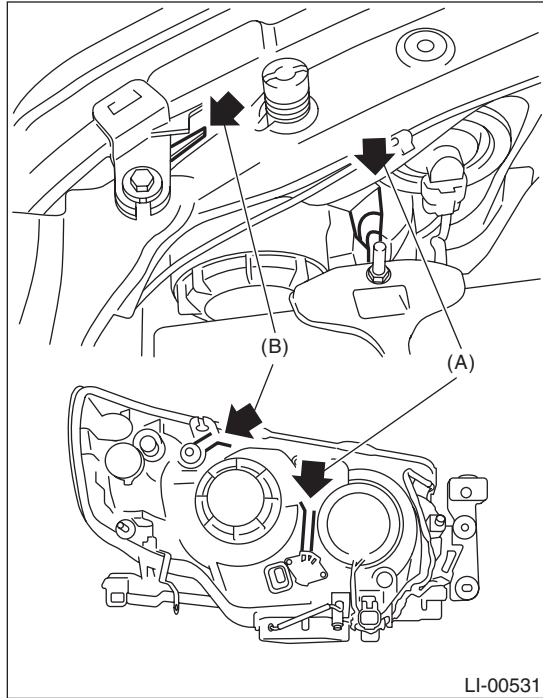
Before checking the headlight beam level, be sure of the following:

- The area around the headlight does not have any scratch, damage or other type of deformation.
  - Vehicle is parked on a level surface.
  - The inflation pressure of tires is correct.
  - Vehicle's fuel tank is full.
- 1) Bounce the vehicle several times to normalize the suspension.
  - 2) Make certain that someone is seated in the driver's seat.
  - 3) Measure the distance between the low beam valve centers and the height of the valve center.
  - 4) Cover the headlight that is not being adjusted with a cloth.
  - 5) Turn the headlights on and then adjust the low beam while displaying the beam on the screen.

# Headlight Assembly

**NOTE:**

Adjust the vertical beam level (A) first, then horizontal beam level (B) using a screwdriver.



(A) Vehicle center

(B) Bulb center marking

h mm (in) at 3 m (10 ft)	21 (0.83)
--------------------------	-----------