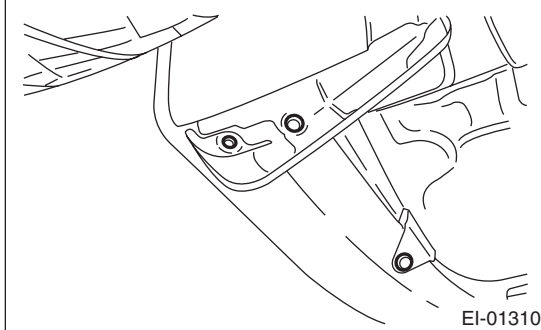


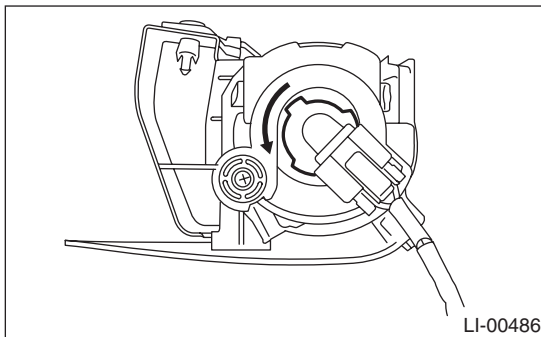
15. Front Fog Light Bulb

A: REMOVAL

- 1) Disconnect the ground cable from the battery.
- 2) Disengage the three clips, and then turn over the mud guard.



- 3) Remove the spring retainer then detach the fog light bulb.



B: INSTALLATION

Install in the reverse order of removal.

C: INSPECTION

- 1) Visually check the bulb for blow out.
- 2) Check the bulb specification.
<Ref. to LI-2, SPECIFICATION, General Description.>
- 3) If NG, replace the bulb with a new part.