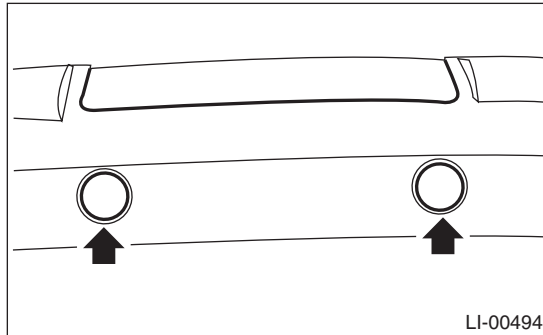


21.High-mounted Stop Light

A: REMOVAL

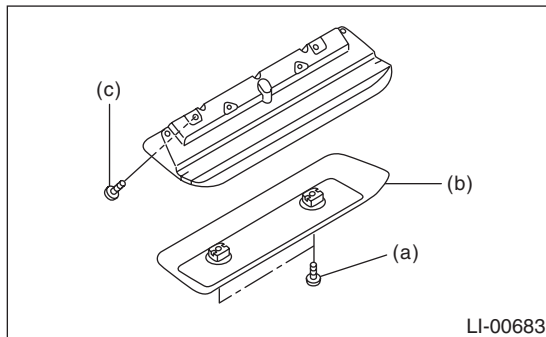
1. REAR SPOILER BUILT-IN TYPE

- 1) Disconnect the ground cable from the battery.
- 2) For model with roof spoiler, remove the roof spoiler.
- 3) Unpeel the tape on the backside of the high-mounted stop light and remove the nuts, to remove the high-mounted stop light.



2. STANDARD TYPE

- 1) Disconnect the ground cable from the battery.
- 2) Remove the screws (a) and then detach the cover (b).
- 3) Remove the screws (c) and then detach the high-mounted stop light while disconnecting the connector.



B: INSTALLATION

Install in the reverse order of removal.

C: INSPECTION

- 1) Visually check the bulb for blow out.
- 2) Check the bulb specification.
<Ref. to LI-2, SPECIFICATION, General Description.>
- 3) If NG, replace the bulb with a new part.