

General Description

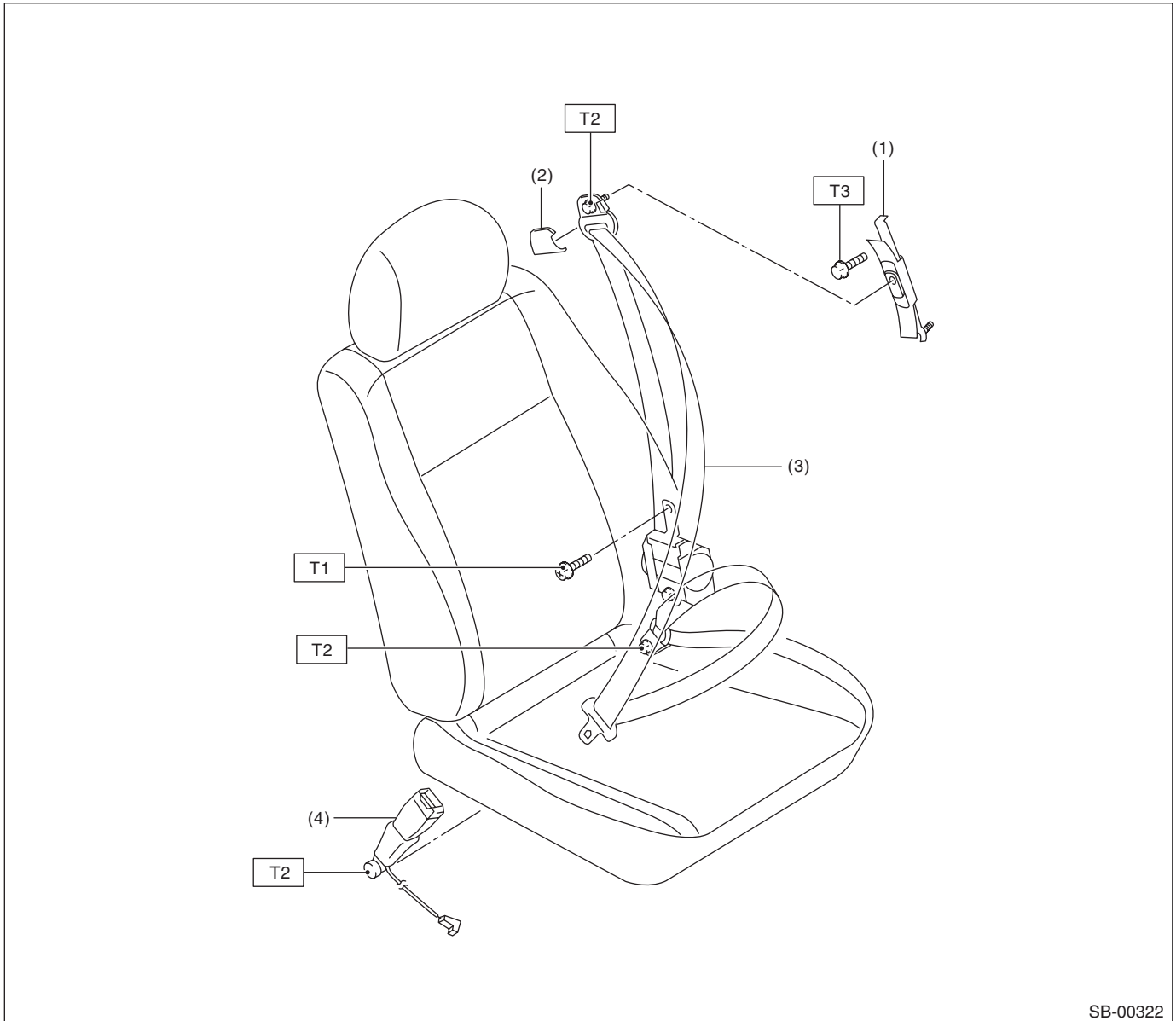
SEAT BELT SYSTEM

1. General Description

A: COMPONENT

1. FRONT SEAT BELT

- Driver's side



- (1) Adjustable anchor ASSY
- (2) Anchor cover

- (3) Outer belt ASSY
- (4) Inner seat belt ASSY

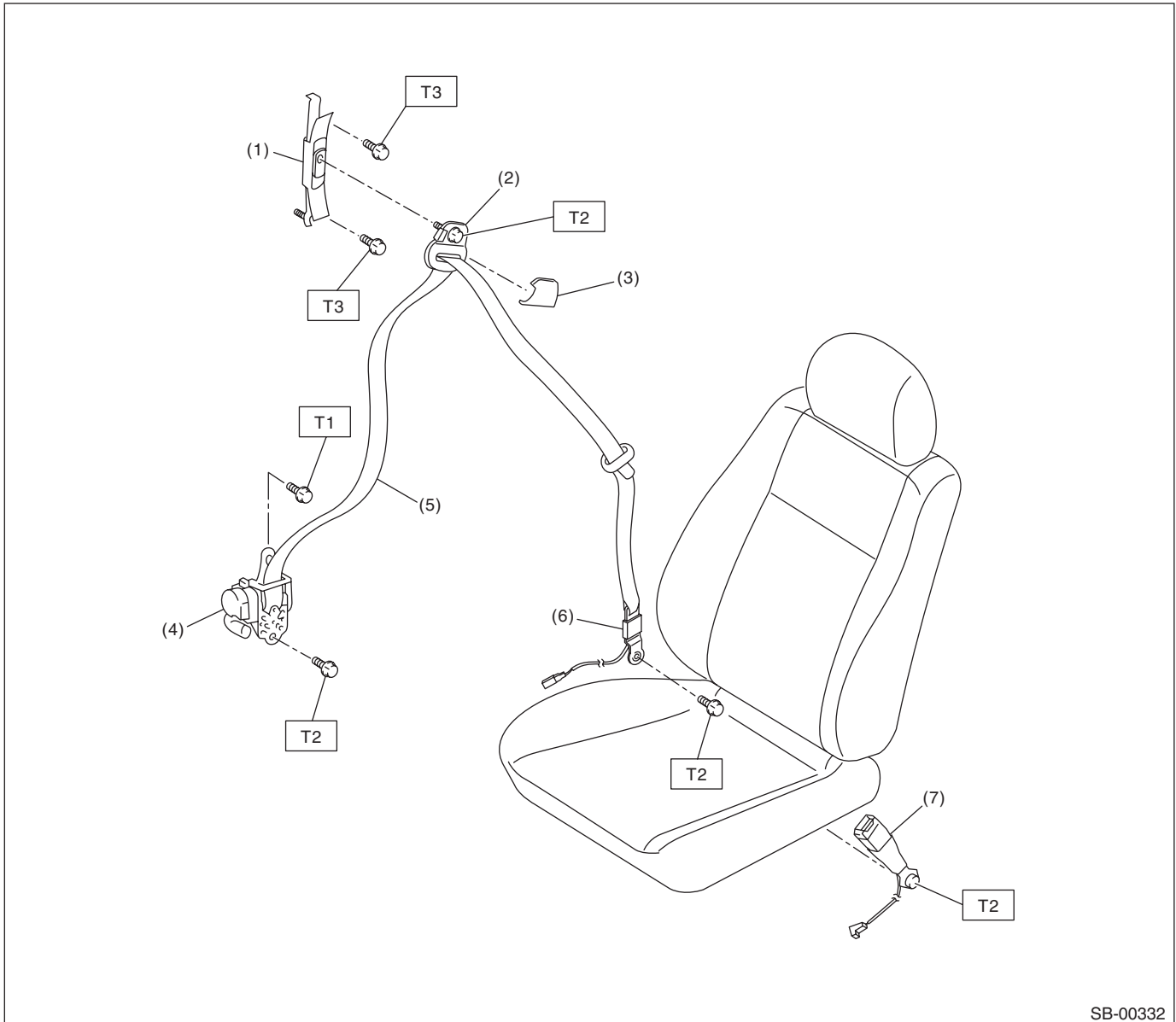
Tightening torque: N·m (kgf·m, ft·lb)

T1: 7.5 (0.76, 5.5)

T2: 30 (3.1, 22)

T3: 53 (5.4, 39)

- Passenger's side



- | | |
|----------------------------|--------------------------|
| (1) Adjustable anchor ASSY | (5) Outer belt ASSY |
| (2) Shoulder anchor | (6) Belt tension sensor |
| (3) Anchor cover | (7) Inner seat belt ASSY |
| (4) Seat belt retractor | |

Tightening torque: N-m (kgf-m, ft-lb)

T1: 7.5 (0.76, 5.5)

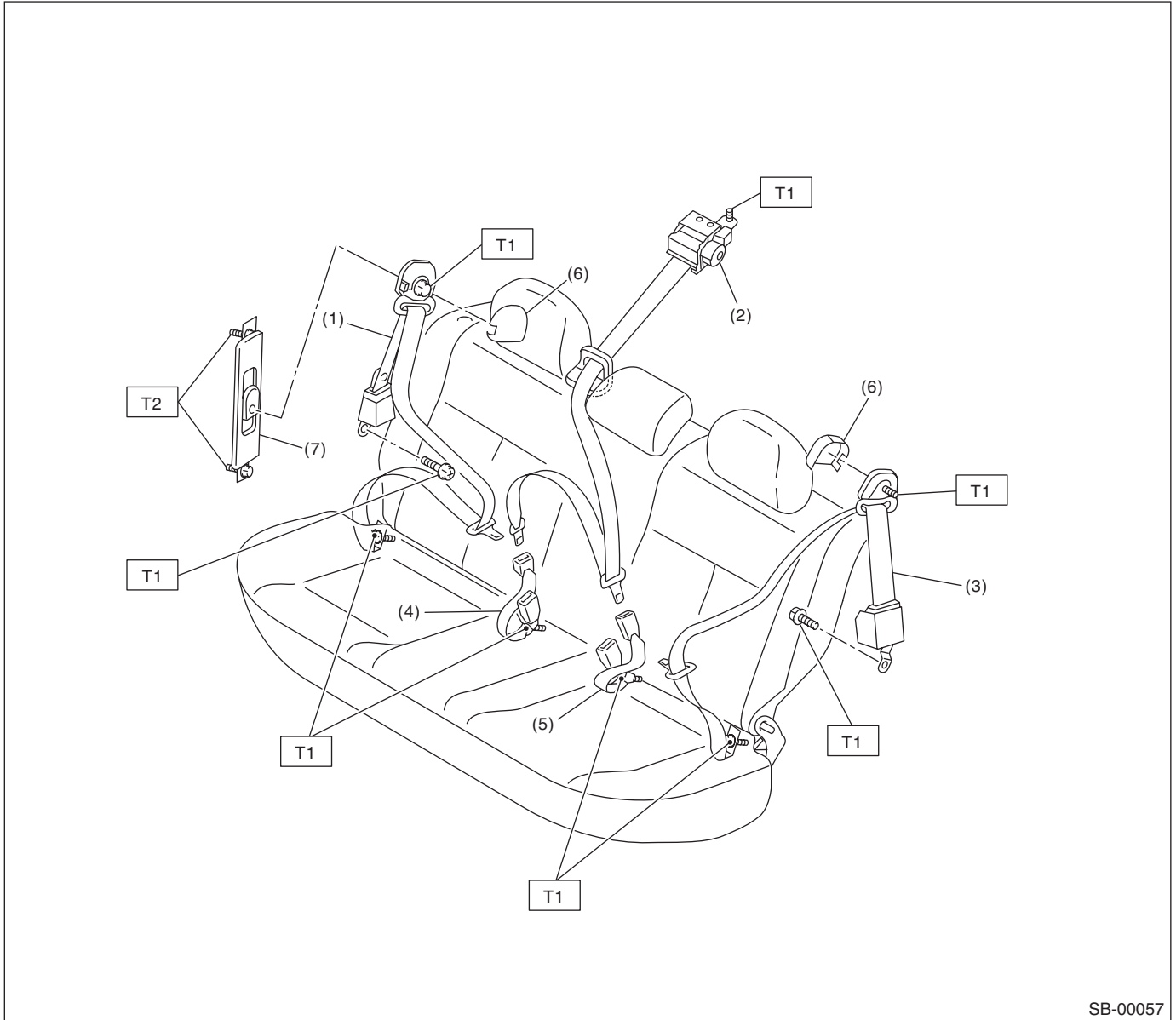
T2: 30 (3.1, 22)

T3: 53 (5.4, 39)

General Description

SEAT BELT SYSTEM

2. REAR SEAT BELT



SB-00057

- | | |
|----------------------------|----------------------------|
| (1) Outer seat belt RH | (5) Inner seat belt LH |
| (2) Outer seat belt center | (6) Anchor cover |
| (3) Outer seat belt LH | (7) Adjustable anchor ASSY |
| (4) Inner seat belt RH | |

Tightening torque: N·m (kgf·m, ft·lb)

T1: 30 (3.1, 22)

T2: 53 (5.4, 39)

B: CAUTION

- Before starting the work, turn the ignition switch to OFF, disconnect the battery ground cable and wait for 20 seconds or more.
- The pretensioner system has a backup power source. Be careful because the pretensioner might deploy if you do not wait for 20 seconds or more before starting work.
- Do not drop or apply any impact to the pretensioner.
- If oil, grease or water gets on the pretensioner, wipe it off immediately with a dry cloth.
- Do not expose the pretensioner to high temperature or flame.

- Do not allow current to flow through or voltage to reach the pretensioner. Do not use a circuit tester to check resistance of the pretensioner.
- Do not disassemble or attempt to repair the pretensioner. If it is dented, cracked or deformed, replace it with a new part.
- Do not use the airbag or pretensioner parts from other vehicles. Always replace the parts with new parts.
- When handling a seat belt with deployed pretensioner, wear gloves and goggles. Wash your hands afterwards.
- Do not reuse a seat belt with deployed pretensioner.
- If the material gets in your eyes or on your skin during deployment, wash it away with clean water, and then consult a doctor.

C: PREPARATION TOOL

1. GENERAL TOOL

TOOL NAME	REMARKS
TORX® T50	Used for removing and installing the inner seat belt assembly.