

General Description

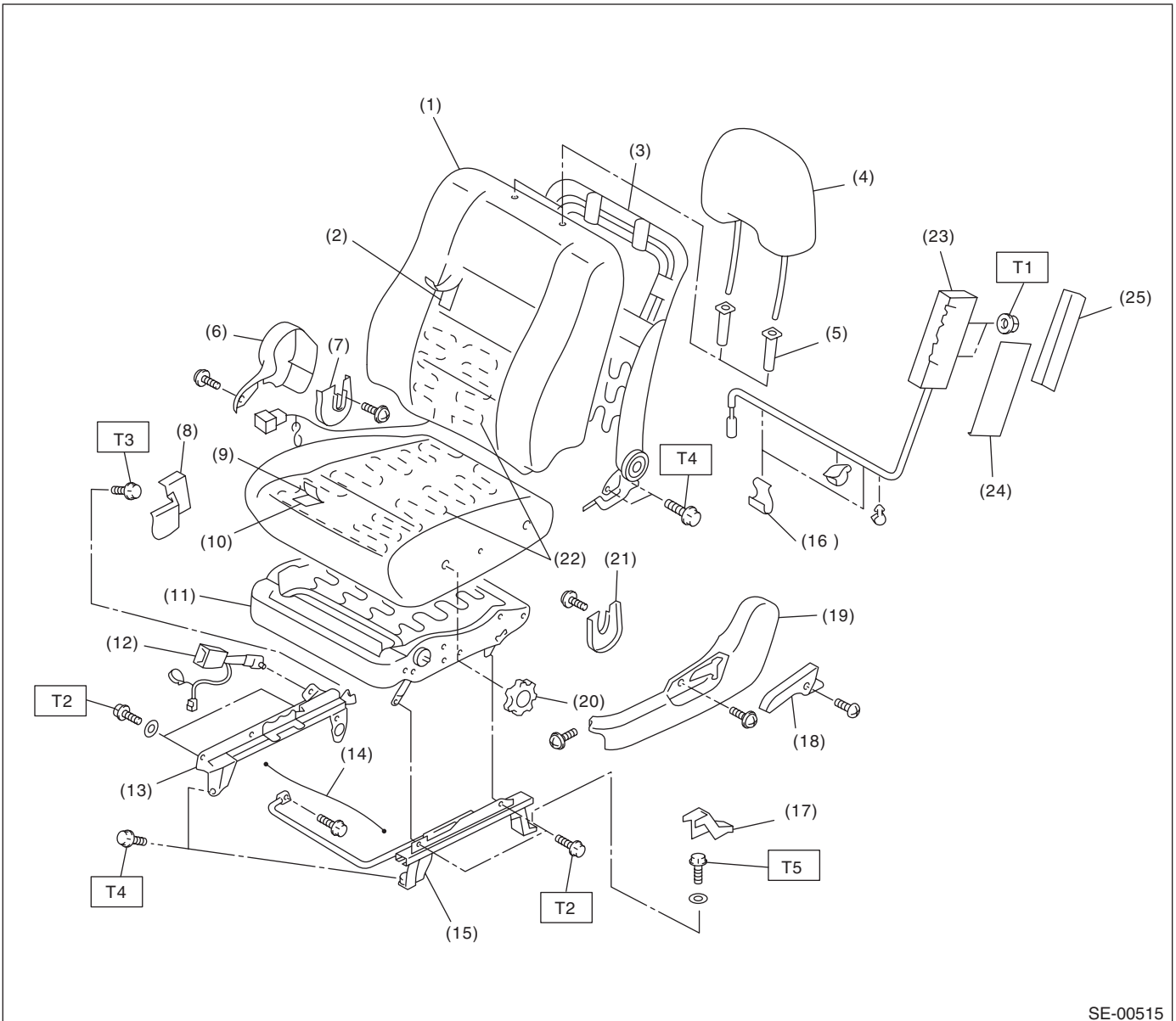
SEATS

1. General Description

A: COMPONENT

1. FRONT SEAT

- Driver's seat (standard seat)



SE-00515

(1) Backrest cover	(12) Inner seat belt ASSY	(23) Side airbag module ASSY
(2) Backrest pad	(13) Inner slide rail	(24) Support pad A
(3) Backrest frame ASSY	(14) Connecting wire	(25) Support pad B
(4) Headrest ASSY	(15) Outer slide rail	
(5) Headrest bushing	(16) Tape	
(6) Seat hinge outer cover LH	(17) Bolt cover RH	
(7) Seat hinge inner cover LH	(18) Reclining lever	
(8) Bolt cover LH	(19) Seat hinge outer cover RH	
(9) Seat cushion cover	(20) Seat lifter dial	
(10) Seat cushion pad ASSY	(21) Seat hinge inner cover RH	
(11) Seat cushion frame ASSY	(22) Seat heater unit	

Tightening torque: N-m (kgf-m, ft-lb)

T1: 7.5 (0.8, 5.5)

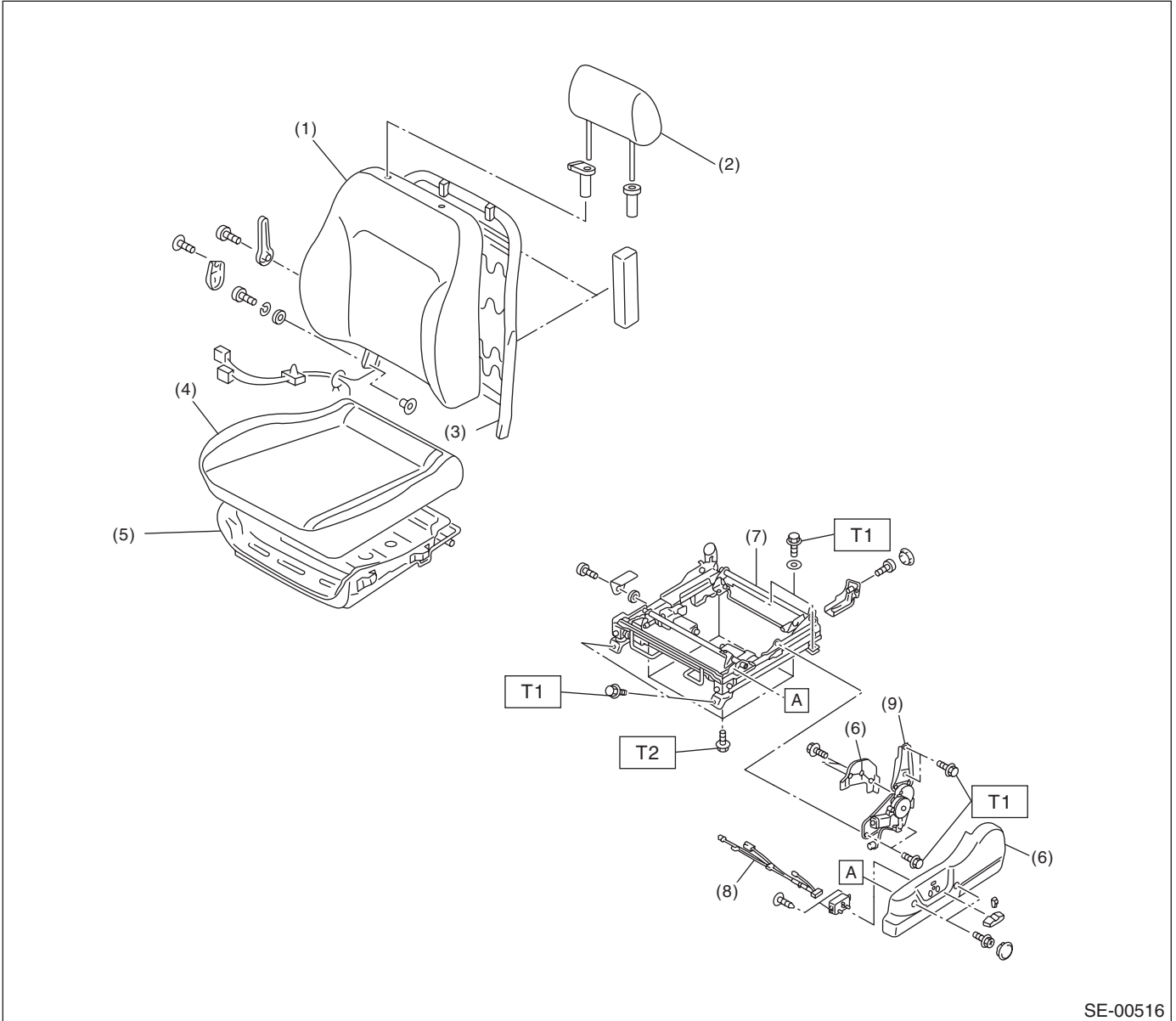
T2: 10 (1.0, 7.4)

T3: 30 (3.0, 22.1)

T4: 52 (5.3, 38.3)

T5: 53 (5.4, 39.0)

- Driver's seat (power seat)



SE-00516

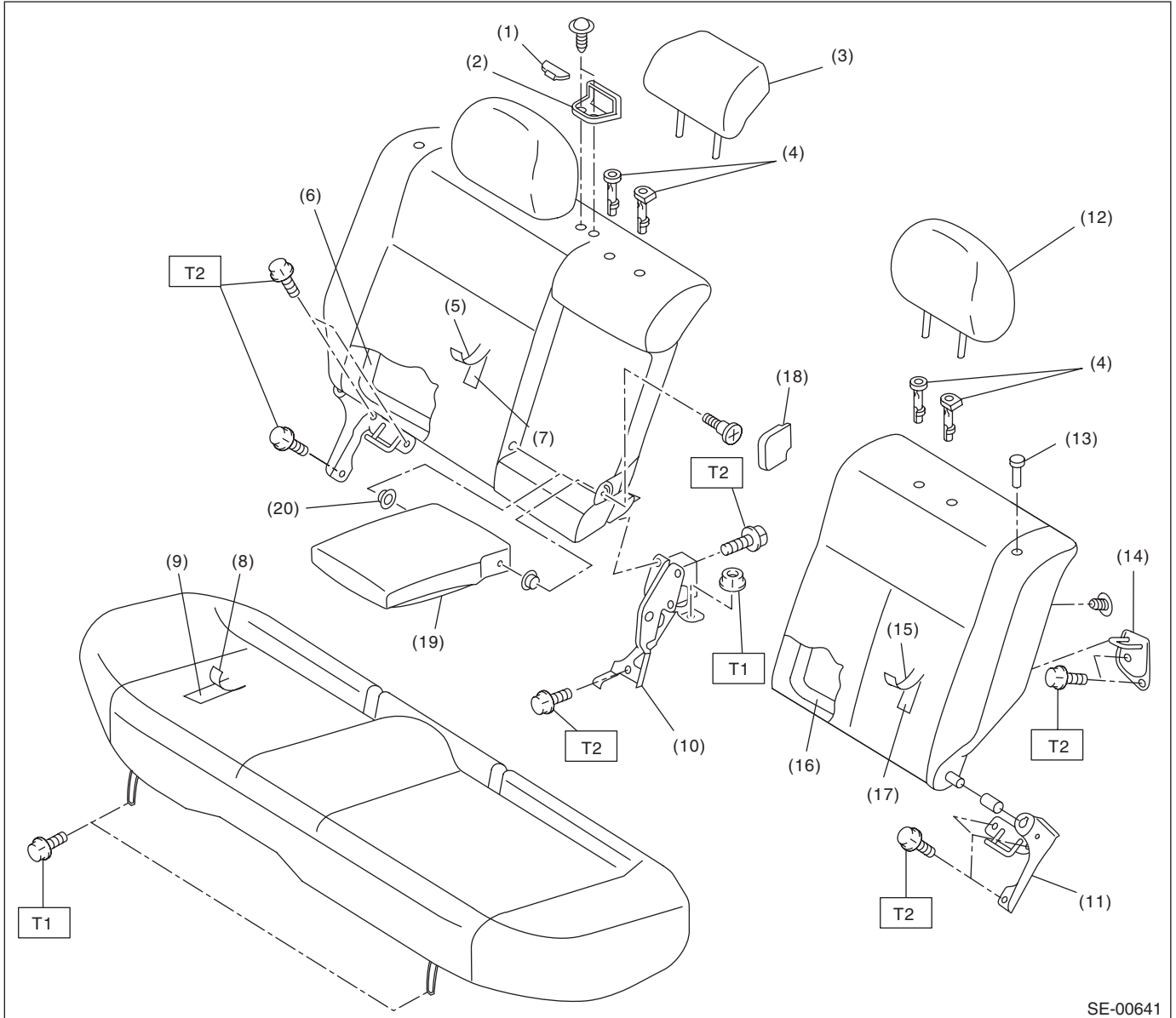
- | | |
|-----------------------------|-------------------------|
| (1) Seat back pad | (6) Hinge cover |
| (2) Headrest | (7) Slide and unit ASSY |
| (3) Seat back frame ASSY | (8) Power seat harness |
| (4) Seat cushion pad | (9) Hinge ASSY |
| (5) Seat cushion frame ASSY | |

Tightening torque: N-m (kgf-m, ft-lb)

T1: 53 (5.4, 39)

T2: 18 (1.8, 13)

2. REAR SEAT



SE-00641

- | | | |
|---------------------------|------------------------|-------------------------------|
| (1) Webbing guide cap | (9) Seat cushion pad | (17) Backrest pad LH |
| (2) Webbing guide | (10) Hinge CTR | (18) Armrest cover |
| (3) Center pillow | (11) Hinge LH | (19) Rear center armrest ASSY |
| (4) Headrest free bushing | (12) Headrest | (20) Armrest cover |
| (5) Backrest cover RH | (13) Backrest knob | |
| (6) Backrest frame RH | (14) Striker | |
| (7) Backrest pad RH | (15) Backrest cover LH | |
| (8) Seat cushion cover | (16) Backrest frame LH | |

Tightening torque: N·m (kgf·m, ft·lb)

T1: 24.5 (2.5, 18.1)

T2: 33 (3.4, 24.6)

B: CAUTION

1. DRIVER'S SEAT

- When removing the front seat from a side airbag loaded vehicle, follow cautions given in the airbag section. <Ref. to AB-4, CAUTION, General Description.>
- Do not remove the seat position sensor from the seat rail.

2. PASSENGER'S SEAT

- When removing the front seat from a side airbag loaded vehicle, follow cautions given in the airbag section. <Ref. to AB-4, CAUTION, General Description.>
- If the seat cushion cover is removed or replaced, make sure to perform occupant detection system adjustment after installing the seat to the vehicle. <Ref. to OD(diag)-17, SYSTEM CALIBRATION (REZEROING), OPERATION, Subaru Select Monitor.>

Failure to do so may cause improper operation of the occupant detection system.

- On the passenger's seat, never remove the occupant detection control module or the pressure sensor from the occupant detection cushion assembly. These are fixed to the occupant detection cushion assembly.
- Do not replace the seat cushion pad by itself. Always replace the occupant detection cushion assembly as a unit. The seat cushion pad, occupant detection sensor, occupant detection control module and seat cushion cover are adjusted as a set at the time of manufacture. If parts from other vehicles or from other sets are used, the occupant detection system will not function properly.
- If the seat cushion cover is removed (including when replacing the heater), always replace the wires of the seat cushion cover with new wires.

C: PREPARATION TOOL

1. GENERAL TOOL

TOOL NAME	REMARKS
Long nose plier	Used for removing the hog ring.
Hog ring pliers	Used for installing the hog ring.
TORX®	Used for removing and installing the slide rail.