

Sunroof Motor

SUNROOF/T-TOP/CONVERTIBLE TOP (SUNROOF)

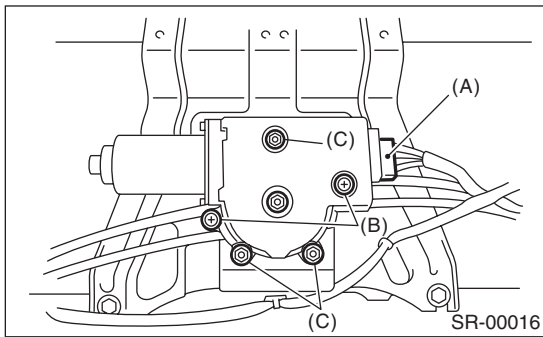
5. Sunroof Motor

A: REMOVAL

CAUTION:

- When removing the sunroof motor, completely close the sunroof.
- When removing the clip, use great care not to damage the roof trim.

- 1) Completely close the sunroof lid.
- 2) Disconnect the ground cable from the battery.
- 3) Remove the roof trim. <Ref. to EI-46, REMOVAL, Roof Trim.>
- 4) Disconnect the harness connector (A), and then remove the sunroof motor mounting screws (B) and nuts (C).



B: INSTALLATION

CAUTION:

When installing the sunroof motor assembly, be careful not to move the sunroof cable.

- 1) Install the sunroof motor.
- 2) Connect the sunroof motor harness connector of motor assembly, and then connect the battery ground cable to battery.
- 3) Reset the sunroof motor. <Ref. to SR-8, ADJUSTMENT, Sunroof Motor.>
- 4) Check the sunroof operation as follows:

Inspection order	Switch position
(1) Sunroof closes completely.	Close
(2) Sunroof opens 500 mm (19.7 in) away from completely closed position.	Open
(3) Sunroof opens completely.	Open
(4) Sunroof closes 200 mm (7.87 in) in front of the completely closed position.	Close
(5) Sunroof closes completely.	Close

- 5) Install the roof trim. <Ref. to EI-46, INSTALLATION, Roof Trim.>

C: ADJUSTMENT

- 1) Reset the sunroof motor.
 - (1) Completely close the sunroof lid. At this time, it operates intermittently in 50 mm (1.97 in) amounts. The switch must be pressed several times.
 - (2) Then continue pushing the switch for more than one second to the CLOSE side.
 - (3) Open the sunroof lid approximately 400 mm (15.75 in) out.
 - (4) Completely close the sunroof lid, then continue pushing the switch for more than one second to the CLOSE side. (This operation enables the auto operation.)

D: INSPECTION

1. WINDOW AUTO-REVERSE MECHANISM

- 1) Open the sunroof lid.
- 2) Forcefully push the sunroof lid in the opening direction while auto-closing, to check whether the window auto-reverse mechanism functions.
- 3) Check whether the window auto-reverse mechanism operates and the roof moves back 150 mm (5.91 in) in the opening direction.

CAUTION:

Do not place objects in the way to check the auto-reverse mechanism.

NOTE:

- The auto-function is cancelled when the window auto-reverse mechanism is activated more than five times.
- If the auto function is cancelled, reset it. <Ref. to SR-8, ADJUSTMENT, Sunroof Motor.>