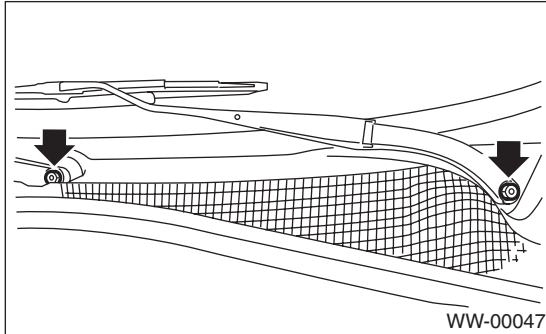


## 6. Front Wiper Arm

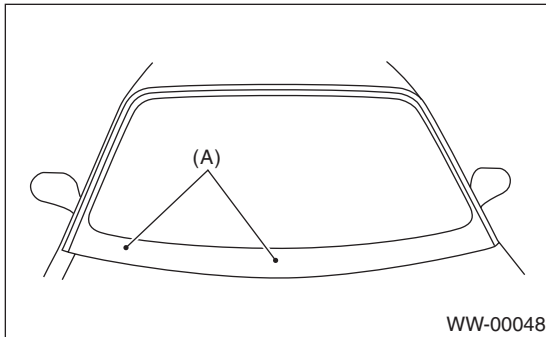
### A: REMOVAL

- 1) Open the front hood.
- 2) Remove the cap.
- 3) Loosen the nut to remove the arm.



### B: INSTALLATION

- 1) Install in the reverse order of removal.
- 2) Operate the wiper once.
- 3) Align the wiper blade to ceramic print point mark (A) of front window panel.



#### **Tightening torque:**

Refer to "COMPONENT" of "General Description". <Ref. to WW-2, FRONT WIPER, COMPONENT, General Description.>

### C: ADJUSTMENT

Operate the wiper once. Align the wiper blade to ceramic print point mark (A) of front window panel.

