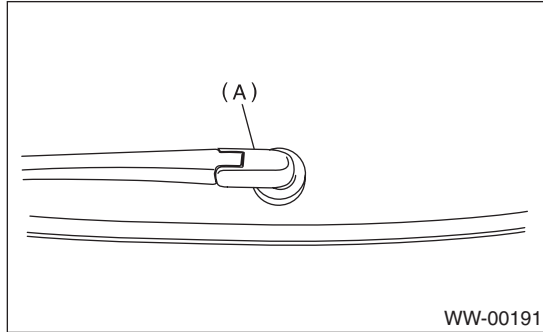


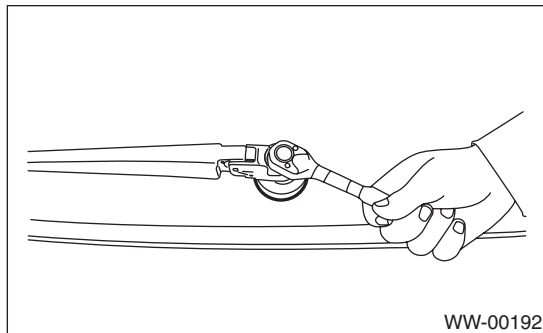
9. Rear Wiper Arm

A: REMOVAL

- 1) Detach the wiper arm cover (A).

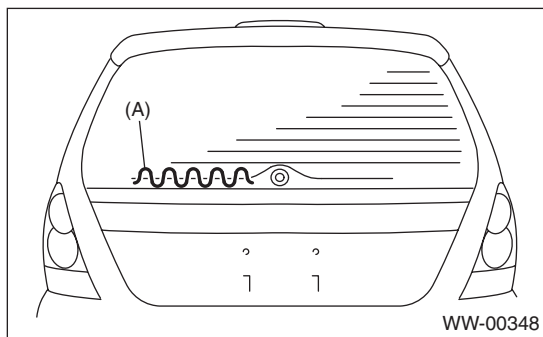


- 2) Loosen the nut to remove the wiper arm.



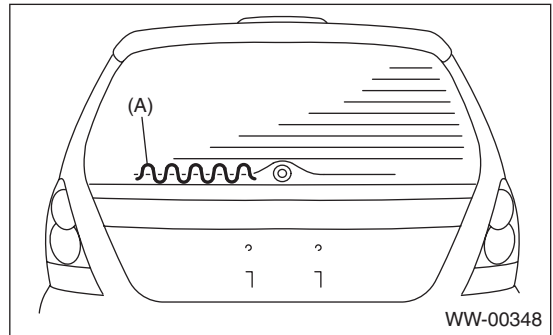
B: INSTALLATION

- 1) Install in the reverse order of removal.
- 2) Operate the rear wiper once.
- 3) Align the blade to center of the rear defogger heat wire (A).



C: ADJUSTMENT

- 1) Operate the rear wiper once.
- 2) Align the blade to center of the rear defogger heat wire (A).



Tightening torque:

Refer to "COMPONENT" of "General Description". <Ref. to WW-3, REAR WIPER, COMPONENT, General Description.>