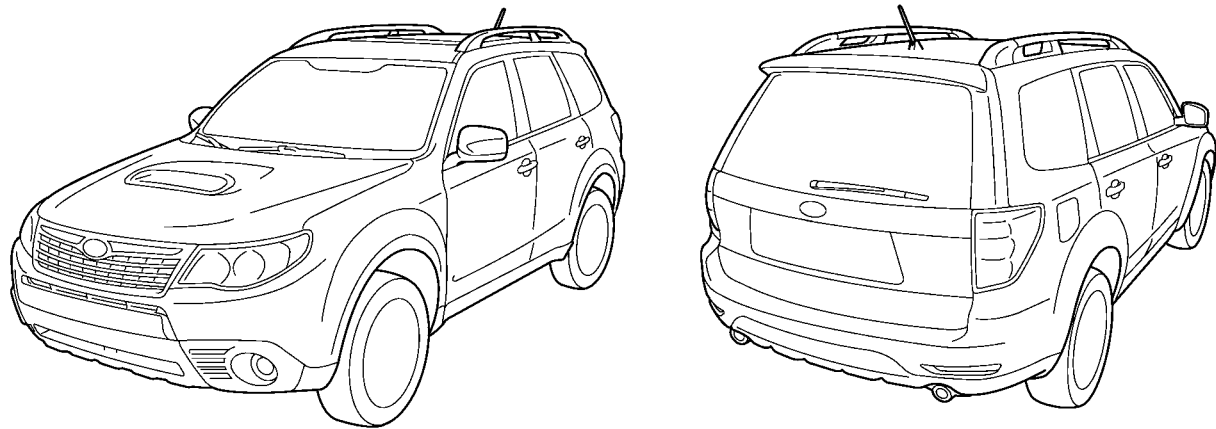


This manual describes the following vehicle types.*



000472

* The illustrated vehicle is one of the FORESTER series.

Warranties

■ Warranties for U.S.A.

All SUBARU vehicles distributed by Subaru of America, Inc. and sold at retail by an authorized SUBARU dealer in the United States come with the following warranties:

- SUBARU Limited Warranty
- Emission Control Systems Warranty
- Emissions Performance Warranty

All warranty information, including details of coverage and exclusions, is in the "Warranty and Maintenance Booklet". Please read these warranties carefully.

■ Warranties for Canada

All SUBARU vehicles distributed by Subaru Canada, Inc. and sold at retail by an authorized SUBARU dealer in Canada come with the following warranties:

- SUBARU Limited Warranty
- Anti-Corrosion Warranty
- Emission Control Warranty

All warranty information, including details of coverage and exclusions, is in the "Warranty and Service Booklet". Please read these warranties carefully.

■ Models with HID headlights



High Intensity Discharge (HID) headlights contain mercury. For that reason, it is necessary to remove HID headlights before vehicle disposal. Once removed, please reuse, recycle or dispose of the HID headlights as hazardous waste.

■ Models without HID headlights



This vehicle does not contain mercury devices or parts.

How to use this Owner's Manual

■ Using your Owner's Manual

Before you operate your vehicle, carefully read this manual. To protect yourself and extend the service life of your vehicle, follow the instructions in this manual. Failure to observe these instructions may result in serious injury and damage to your vehicle.

This manual is composed of fourteen chapters. Each chapter begins with a brief table of contents, so you can usually tell at a glance if that chapter contains the information you want.

Chapter 1: Seat, seatbelt and SRS airbags

This chapter informs you how to use the seat and seatbelt and contains precautions for the SRS airbags.

Chapter 2: Keys and doors

This chapter informs you how to operate the keys, locks and windows.

Chapter 3: Instruments and controls

This chapter informs you about the operation of instrument panel indicators and how to use the instruments and other switches.

Chapter 4: Climate control

This chapter informs you how to operate the climate control.

Chapter 5: Audio

This chapter informs you how to operate your audio system.

Chapter 6: Interior equipment

This chapter informs you how to operate interior equipment.

Chapter 7: Starting and operating

This chapter informs you how to start and operate your SUBARU.

Chapter 8: Driving tips

This chapter informs you how to drive your SUBARU in various conditions and explains some safety tips on driving.

Chapter 9: In case of emergency

This chapter informs you what to do if you have a problem while driving, such as a flat tire or engine overheating.

Chapter 10: Appearance care

This chapter informs you how to keep your SUBARU looking good.

Chapter 11: Maintenance and service

This chapter informs you when you need to take your SUBARU to the dealer for scheduled maintenance and informs you how to keep your SUBARU running properly.

Chapter 12: Specifications

This chapter informs you about dimensions and capacities of your SUBARU.

Chapter 13: Consumer information and Reporting safety defects

This chapter informs you about Uniform tire quality grading standards and Reporting safety defects.

Chapter 14: Index

This is an alphabetical listing of all that's in this manual. You can use it to quickly find something you want to read.

■ Safety warnings

You will find a number of WARNINGS, CAUTIONS and NOTES in this manual.

These safety warnings alert you to potential hazards that could result in injury to you or others.

Please read these safety warnings as well as all other portions of this manual carefully in order to gain a better understanding of how to use your SUBARU vehicle safely.


WARNING

A WARNING indicates a situation in which serious injury or death could result if the warning is ignored.


CAUTION

A CAUTION indicates a situation in which injury or damage to your vehicle, or both, could result if the caution is ignored.

NOTE

A NOTE gives information or suggestions how to make better use of your vehicle.









■ Safety symbol












You will find a circle with a slash through it in this manual. This symbol means “Do not”, “Do not do this”, or “Do not let this happen”, depending upon the context.











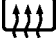
Vehicle symbols







There are some of the symbols you may see on your vehicle.

For warning and indicator lights, refer to "Warning and indicator lights" 18.

Mark	Name
	WARNING
	CAUTION
	Power door lock and unlock
	Passengers' windows lock and unlock
	Fuel
	Front fog lights
	Hazard warning flasher
	Engine hood

Mark	Name
	Seat heater
	Child restraint top tether anchorages
	Child restraint lower anchorages
	Horn
	Windshield wiper deicer
	Wiper intermittent
	Windshield wiper and washer
	Windshield wiper mist (for single wipe)
	Rear window wiper
	Rear window washer
	Lights

Mark	Name
	Tail lights, license plate light and instrument panel illumination
	Headlights
	Turn signal
	Illumination brightness
	Fan speed
	Instrument panel outlets
	Instrument panel outlets and foot outlets
	Foot outlets
	Windshield defroster and foot outlets
	Windshield defroster
	Rear window defogger/Outside mirror defogger

Mark	Name
	Air recirculation
	Engine oil
	Washer
	Door lock (Transmitter)
	Door unlock (Transmitter)
	Rear gate (Transmitter)

Safety precautions when driving

■ Seatbelt and SRS airbag



WARNING

- All persons in the vehicle should fasten their seatbelts **BEFORE** the vehicle starts to move. Otherwise, the possibility of serious injury becomes greater in the event of a sudden stop or accident.
- To obtain maximum protection in the event of an accident, the driver and all passengers in the vehicle should always wear seatbelts when the vehicle is moving. The SRS (Supplemental Restraint System) airbag does not do away with the need to fasten seatbelts. In combination with the seatbelts, it offers the best combined protection in case of a serious accident.

Not wearing a seatbelt increases the chance of severe injury or death in a crash even when the vehicle has the SRS airbag.

- The SRS airbags deploy with considerable speed and force. Occupants who are out of proper position when the SRS airbag deploys could suffer very serious injuries. Because the SRS airbag needs enough space for deployment, the driver should always sit upright and well back in the seat as far from the steering wheel as practical while still maintaining full vehicle control and the front passenger should move the seat as far back as possible and sit upright and well back in the seat.

For instructions and precautions, carefully read the following sections.

- For the seatbelt system, refer to “Seatbelts” 1-11.
- For the SRS airbag system, refer to “*SRS airbag (Supplemental Restraint System airbag)” 1-34.

■ Child safety

WARNING

- Never hold a child on your lap or in your arms while the vehicle is moving. The passenger cannot protect the child from injury in a collision, because the child will be caught between the passenger and objects inside the vehicle.
- While riding in the vehicle, infants and small children should always be placed in the REAR seat in an infant or child restraint system which is appropriate for the child's age, height and weight. If a child is too big for a child restraint system, the child should sit in the REAR seat and be restrained using the seatbelts. According to accident statistics, children are safer when properly restrained in the rear seating positions than in the front seating positions. Never allow a child to stand up or kneel on the seat.
- Put children aged 12 and under in the REAR seat properly restrained at all times in a child restraint device or in a seatbelt.

The SRS airbag deploys with considerable speed and force and can injure or even kill children, especially if they are 12 years of age and under and are not restrained or improperly restrained. Because children are lighter and weaker than adults, their risk of being injured from deployment is greater.

- **NEVER INSTALL A REARWARD FACING CHILD SEAT IN THE FRONT SEAT. DOING SO RISKS SERIOUS INJURY OR DEATH TO THE CHILD BY PLACING THE CHILD'S HEAD TOO CLOSE TO THE SRS AIRBAG.**
- Always turn the child safety locks to the "LOCK" position when children sit on the rear seat. Serious injury could result if a child accidentally opens the door and falls out. Refer to "Child safety locks" ¶2-19.
- Always lock the passenger's windows using the lock switch when children are riding in the vehicle. Failure to follow this procedure could result in injury to a child operating the power window. Refer to "Power windows" ¶2-20.

- Never leave unattended children in the vehicle. They could accidentally injure themselves or others through inadvertent operation of the vehicle. Also, on hot or sunny days, temperature in a closed vehicle could quickly become high enough to cause severe or possibly fatal injuries to them.

For instructions and precautions, carefully read the following sections.

- For the seatbelt system, refer to "Seatbelts" ¶1-11.
- For the child restraint system, refer to "Child restraint systems" ¶1-23.
- For the SRS airbag system, refer to "+SRS airbag (Supplemental Restraint System airbag)" ¶1-34.

■ Engine exhaust gas (carbon monoxide)

WARNING

- Never inhale engine exhaust gas. Engine exhaust gas contains carbon monoxide, a colorless and odorless gas which is dangerous, or even lethal, if inhaled.
- Always properly maintain the en-

gine exhaust system to prevent engine exhaust gas from entering the vehicle.

- Never run the engine in a closed space, such as a garage, except for the brief time needed to drive the vehicle in or out of it.
- Avoid remaining in a parked vehicle for a lengthy time while the engine is running. If that is unavoidable, then use the ventilation fan to force fresh air into the vehicle.
- Always keep the front ventilator inlet grille free from snow, leaves or other obstructions to ensure that the ventilation system always works properly.
- If at any time you suspect that exhaust fumes are entering the vehicle, have the problem checked and corrected as soon as possible. If you must drive under these conditions, drive only with all windows fully open.
- Keep the rear gate closed while driving to prevent exhaust gas from entering the vehicle.

■ Drinking and driving

WARNING

Drinking and then driving is very dangerous. Alcohol in the bloodstream delays your reaction time and impairs your perception, judgment and attentiveness. If you drive after drinking – even if you drink just a little – it will increase the risk of being involved in a serious or fatal accident, injuring or killing yourself, your passengers and others. In addition, if you are injured in the accident, alcohol may increase the severity of that injury.

Please don't drink and drive.

Drunken driving is one of the most frequent causes of accidents. Since alcohol affects all people differently, you may have consumed too much alcohol to drive safely even if the level of alcohol in your blood is below the legal limit. The safest thing you can do is never drink and drive. However if you have no choice but to drive, stop drinking and sober up completely before getting behind the wheel.

■ Drugs and driving

WARNING

There are some drugs (over the counter and prescription) that can delay your reaction time and impair your perception, judgment and attentiveness. If you drive after taking them, it may increase your, your passengers' and other persons' risk of being involved in a serious or fatal accident.

If you are taking any drugs, check with your doctor or pharmacist or read the literature that accompanies the medication to determine if the drug you are taking can impair your driving ability. Do not drive after taking any medications that can make you drowsy or otherwise affect your ability to safely operate a motor vehicle. If you have a medical condition that requires you to take drugs, please consult with your doctor.

Never drive if you are under the influence of any illicit mind-altering drugs. For your own health and well-being, we urge you not to take illegal drugs in the first place and to seek treatment if you are addicted to those drugs.

■ Driving when tired or sleepy

WARNING

When you are tired or sleepy, your reaction time will be delayed and your perception, judgment and attentiveness will be impaired. If you drive when tired or sleepy, your, your passengers' and other persons' chances of being involved in a serious accident may increase.

Please do not continue to drive but instead find a safe place to rest if you are tired or sleepy. On long trips, you should make periodic rest stops to refresh yourself before continuing on your journey. When possible, you should share the driving with others.

■ Modification of your vehicle

CAUTION

Your vehicle should not be modified other than with genuine SUBARU parts and accessories. Other types of modifications could affect its performance, safety or durability, and may even violate governmental regulations. In addition, damage or performance problems resulting from modification may not be covered under warranties.

■ Car phone/cell phone and driving

CAUTION

Do not use a car phone/cell phone while driving; it may distract your attention from driving and can lead to an accident. If you use a car phone/cell phone, pull off the road and park in a safe place before using your phone. In some States/Provinces, only hands-free phones may legally be used while driving.

■ Driving with pets

Unrestrained pets can interfere with your driving and distract your attention from driving. In a collision or sudden stop, unrestrained pets or cages can be thrown around inside the vehicle and hurt you or your passengers. Besides, the pets can be hurt under these situations. It is also for their own safety that pets should be properly restrained in your vehicle. Restrain a pet with a special traveling harness which can be secured to the rear seat with a seatbelt or use a pet carrier which can be secured to the rear seat by routing a seatbelt through the carrier's handle. Never restrain pets or pet carriers in the front passenger's seat. For further information, consult your veterinarian, local animal protection society or pet shop.

■ Tire pressures

Check and, if necessary, adjust the pressure of each tire (including the spare) at least once a month and before any long journey.

Check the tire pressure when the tires are cold. Use a pressure gauge to adjust the tire pressures to the values shown on the tire placard. For detailed information, refer to "Tires and wheels" ¶ 11-31.

WARNING

Driving at high speeds with excessively low tire pressures can cause the tires to deform severely and to rapidly become hot. A sharp increase in temperature could cause tread separation, and destruction of the tires. The resulting loss of vehicle control could lead to an accident.

■ California proposition 65 warning

WARNING

Engine exhaust, some of its constituents, and certain vehicle components contain or emit chemicals known to the State of California to cause cancer and birth defects or other reproductive harm. In addition, certain fluids in vehicles and certain components of product wear contain or emit chemicals known to the State of California to cause cancer and birth defects or other reproductive harm.

■ On-pavement and off-road driving

This vehicle is classified as a utility vehicle. Utility vehicles have a significantly higher rollover rate than other types of vehicles. Your vehicle has a higher ground clearance and higher center of gravity, making it more likely to roll over than ordinary passenger cars. It also handles and maneuvers differently from other passenger cars. For this reason, please read carefully the following section and follow the instructions and precautions in

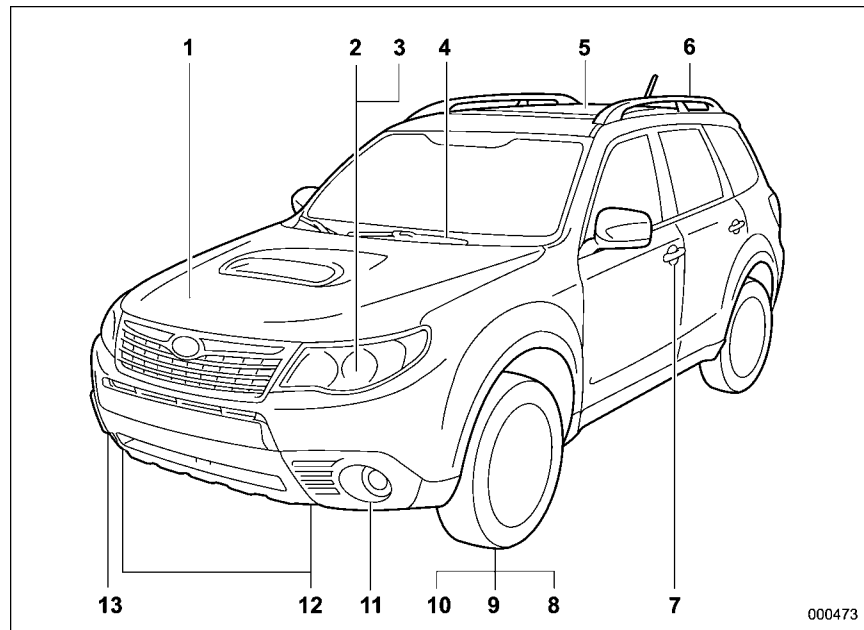
order to prevent serious injury or death due to loss of control, rollover and other accidents. Refer to "On-pavement and off-road driving" ¶ 8-6.

Table of contents

<i>Seat, seatbelt and SRS airbags</i>	1
<i>Keys and doors</i>	2
<i>Instruments and controls</i>	3
<i>Climate control</i>	4
<i>Audio</i>	5
<i>Interior equipment</i>	6
<i>Starting and operating</i>	7
<i>Driving tips</i>	8
<i>In case of emergency</i>	9
<i>Appearance care</i>	10
<i>Maintenance and service</i>	11
<i>Specifications</i>	12
<i>Consumer information and Reporting safety defects</i>	13
<i>Index</i>	14

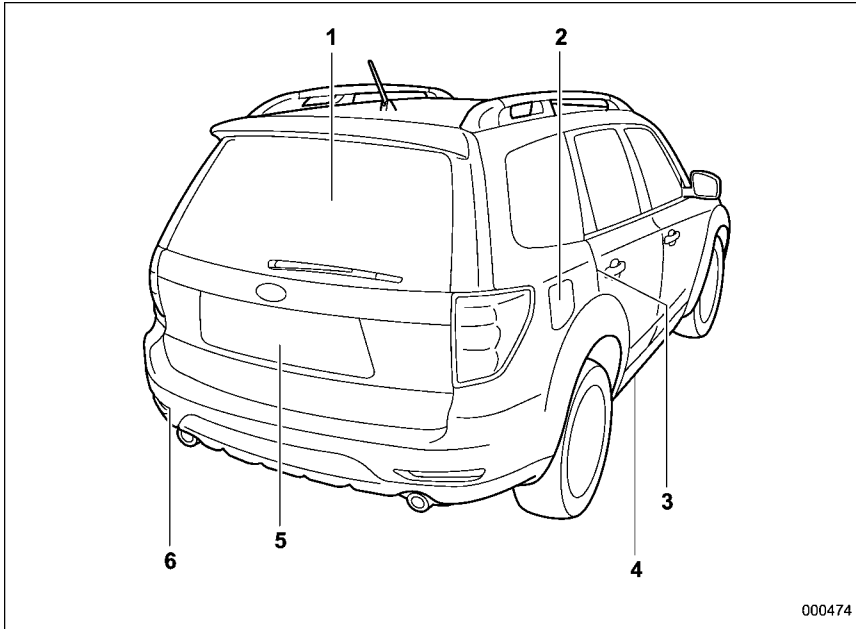
Illustrated index

■ Exterior



- 1) Engine hood (page 11-5)
- 2) Headlight switch (page 3-26)
- 3) Replacing bulbs (page 11-47)
- 4) Wiper switch (page 3-30)
- 5) Moonroof (page 2-23)
- 6) Roof rail (page 8-13)
- 7) Door locks (page 2-4)
- 8) Tire pressure (page 11-33)
- 9) Flat tires (page 9-6)
- 10) Tire chains (page 8-11)
- 11) Front fog light switch (page 3-28)
- 12) Tie-down hooks (page 9-12)
- 13) Towing hook (page 9-12)

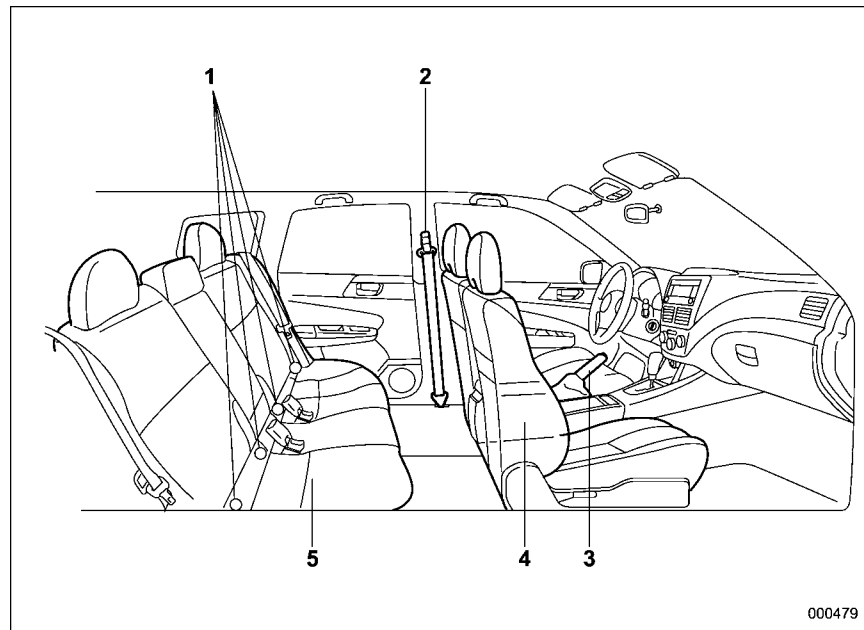
000473



- 1) Rear window defogger button (page 3-35)
- 2) Fuel filler lid and cap (page 7-4)
- 3) Child safety locks (page 2-19)
- 4) Tie-down hook (page 9-13)
- 5) Rear gate (page 2-22)
- 6) Towing hook (page 9-13)

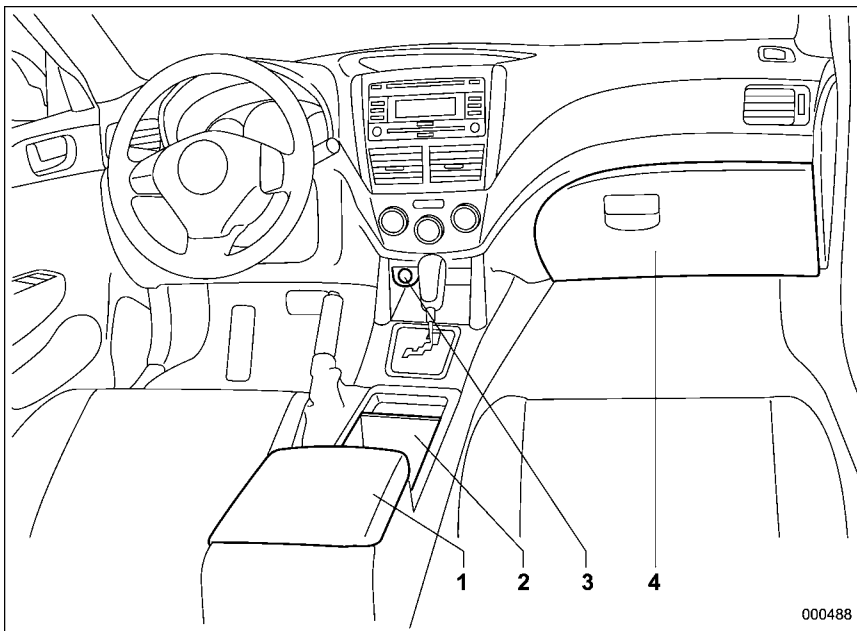
■ Interior

▼ Passenger compartment area



- 1) Lower anchorages for child restraint system (page 1-30)
- 2) Seatbelt (page 1-11)
- 3) Parking brake lever (page 7-33)
- 4) Front seat (page 1-2)
- 5) Rear seat (page 1-7)

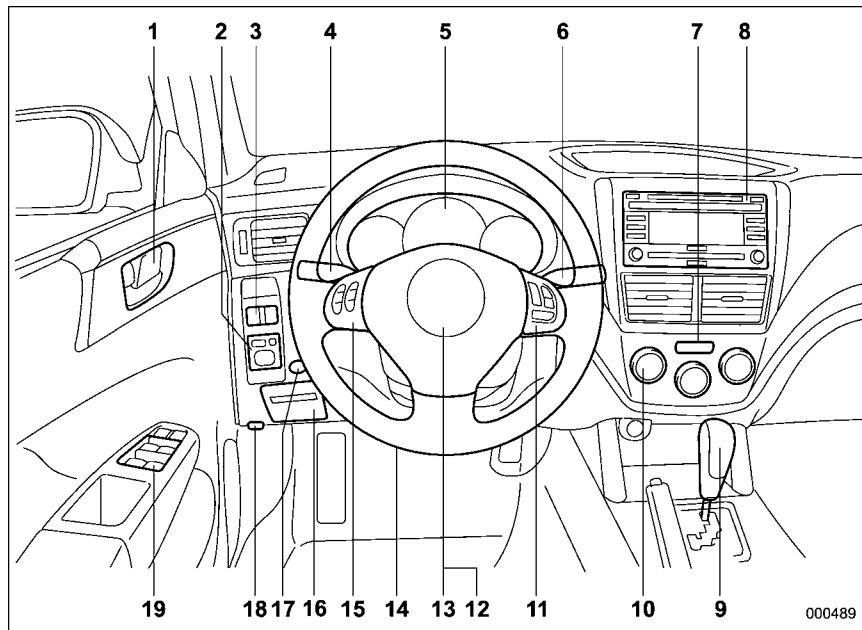
000479



- 1) Center console (page 6-5)
- 2) Cup holder (page 6-8)
- 3) Front power supply socket (page 6-9)
- 4) Glove box (page 6-5)

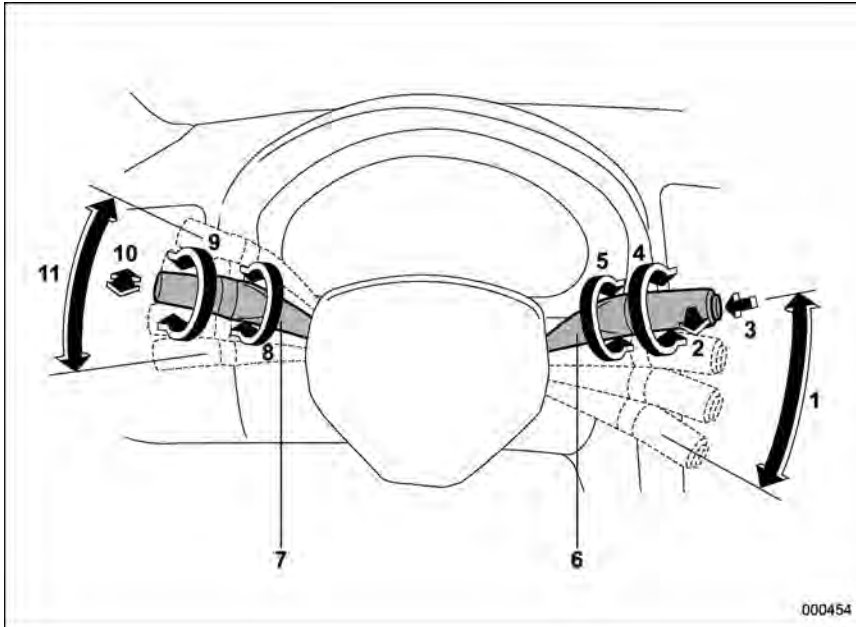
000488

■ Instrument panel



- 1) Door locks (page 2-4)
- 2) Outside mirror switch (page 3-34)
- 3) Illumination brightness control (page 3-28)
- 4) Light control lever (page 3-25)
- 5) Combination meter (page 3-5)
- 6) Wiper control lever (page 3-29)
- 7) Hazard warning flasher switch (page 3-5)
- 8) Audio (page 5-1)
- 9) Shift lever (MT) (page 7-15)/
Selector lever (AT) (page 7-16)
- 10) Climate control (page 4-1)
- 11) Cruise control (page 7-36)
- 12) Horn (page 3-38)
- 13) SRS airbag (page 1-34)
- 14) Tilt/telescopic steering (page 3-37/
page 3-38)
- 15) Audio control buttons (page 5-26)
- 16) Fuse box (page 11-45)
- 17) Vehicle Dynamics Control OFF switch (page 7-31)
- 18) Hood lock release knob (page 11-5)
- 19) Power windows (page 2-20)

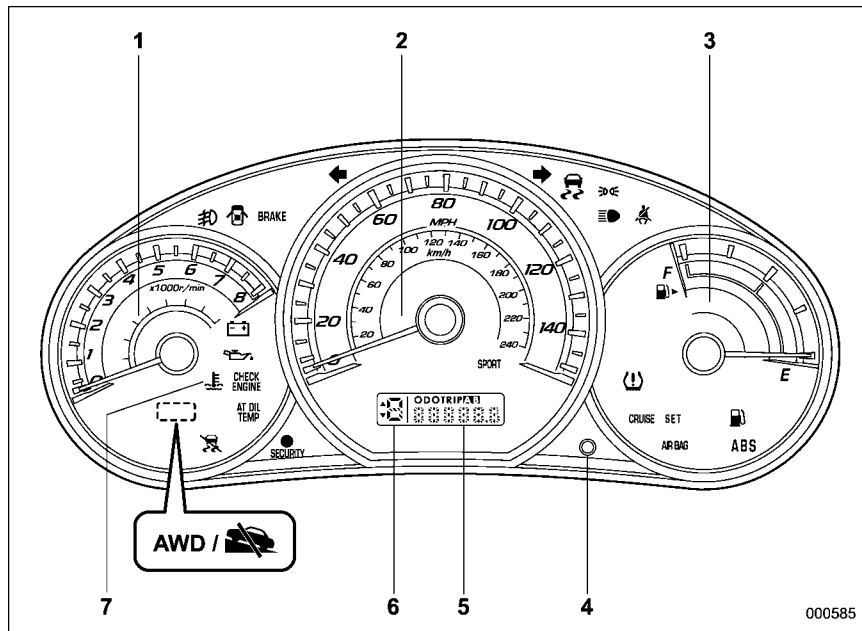
■ Light control and wiper control levers/switches



- 1) Windshield wiper (page 3-30)
- 2) Mist (page 3-31)
- 3) Windshield washer (page 3-31)
- 4) Rear window wiper and washer switch (page 3-32)
- 5) Wiper intermittent time control switch (page 3-31)
- 6) Wiper control lever (page 3-29)
- 7) Light control switch (page 3-25)
- 8) Fog light switch (page 3-28)
- 9) Headlight ON/OFF (page 3-28)
- 10) Headlight flasher High/Low beam change (page 3-26)
- 11) Turn signal (page 3-27)

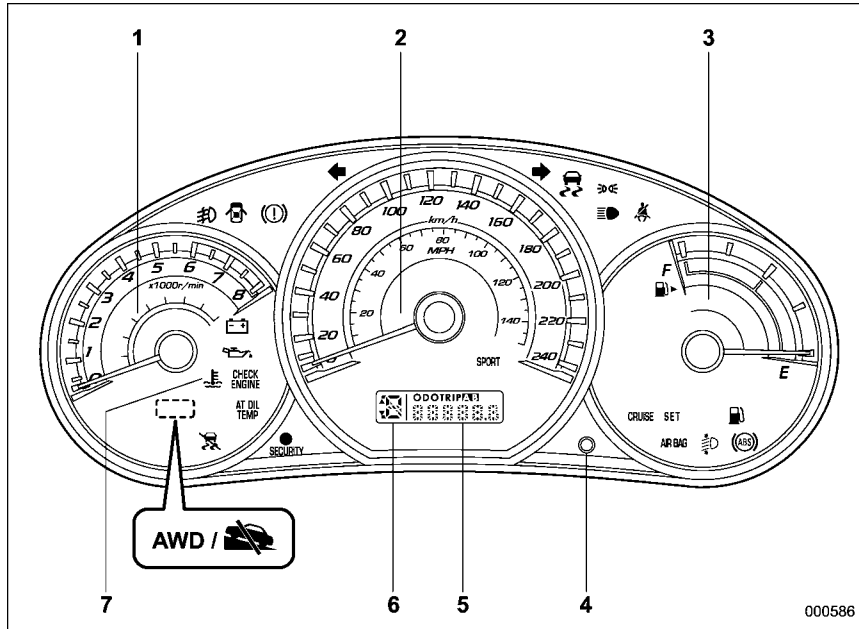
■ Combination meter

▼ U.S.-spec. models










- 1) Tachometer (page 3-8)
- 2) Speedometer (page 3-6)
- 3) Fuel gauge (page 3-8)
- 4) Trip meter A/B selection and trip meter reset knob (page 3-6)
- 5) Odometer/Trip meter (page 3-6)
- 6) Selector lever and gear position indicator (AT models) (page 3-21)
- 7) Coolant temperature low indicator light/
Coolant temperature high warning light (page 3-13)










▼ Except U.S.-spec. models








- 1) Tachometer (page 3-8)
- 2) Speedometer (page 3-6)
- 3) Fuel gauge (page 3-8)
- 4) Trip meter A/B selection and trip meter reset knob (page 3-6)
- 5) Odometer/Trip meter (page 3-6)
- 6) Selector lever and gear position indicator (AT models) (page 3-21)
- 7) Coolant temperature low indicator light/
Coolant temperature high warning light (page 3-13)

■ Warning and indicator lights

Mark	Name	Page
	Seatbelt warning light	3-10
	Front passenger's seatbelt warning light	3-10
AIR BAG	SRS airbag system warning light	3-11
ON / 	Front passenger's frontal airbag ON indicator	3-12
OFF / 	Front passenger's frontal airbag OFF indicator	3-12
CHECK ENGINE	CHECK ENGINE warning light/Malfunction indicator lamp	3-12
	Coolant temperature low indicator light/Coolant temperature high warning light	3-13
	Charge warning light	3-14
	Oil pressure warning light	3-14
AT OIL TEMP	AT OIL TEMP warning light (AT models)	3-14

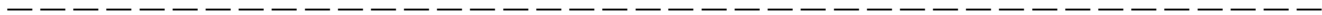
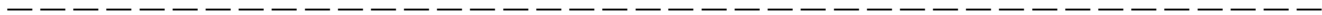
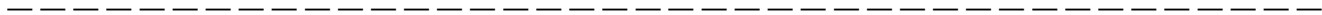
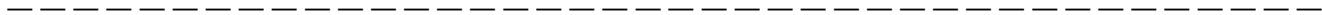
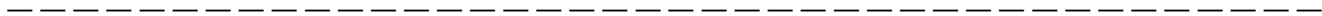
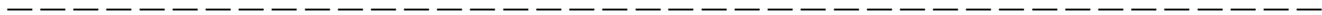
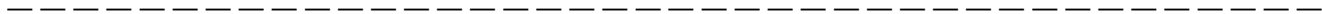
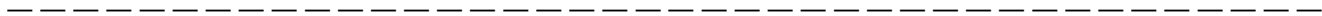
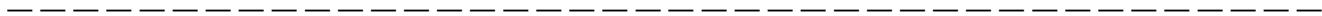
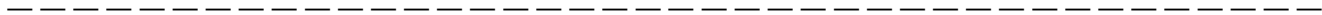
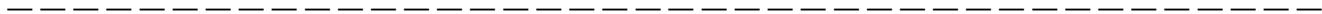
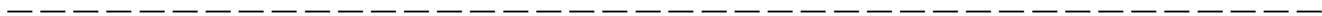
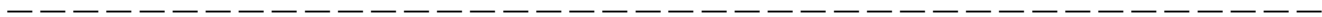
Mark	Name	Page
ABS / 	ABS warning light	3-16
BRAKE / 	Brake system warning light	3-17
	Door open warning light	3-18
AWD	AWD warning light (AT models)	3-18
	Hill start assist warning light (MT models)	3-18
	Vehicle Dynamics Control operation indicator light	3-19
	Vehicle Dynamics Control warning light/Vehicle Dynamics Control OFF indicator light	3-19
	Turn signal indicator lights	3-21
	High beam indicator light	3-21
	Automatic headlight beam leveler warning light (models with HID headlights)	3-18

Mark	Name	Page
	Front fog light indicator light (if equipped)	3-21
	SECURITY Security indicator light	3-20
	Headlight indicator light	3-21
CRUISE	Cruise control indicator light	3-21
SET	Cruise control set indicator light	3-21
	Low fuel warning light	3-18
	Low tire pressure warning light (U.S.-spec. models)	3-15
SPORT	SPORT mode indicator light (AT models)	3-20

Function settings

A SUBARU dealer can change the settings of the functions shown in the following table to meet your personal requirements. Contact the nearest SUBARU dealer for details. If your vehicle is equipped with the genuine SUBARU navigation system, the settings for some of these functions can be changed using the navigation monitor. For details, please refer to the Owner's Manual supplement for the navigation system.

Item	Function	Possible settings	Default setting	Page
Alarm system	Alarm system	Operation/Non-operation	Operation	2-14
	Monitoring start delay time (after closure of doors)	0 second/30 seconds	30 seconds	2-16
	Impact sensor operation (only vehicles with shock sensors (dealer option))	Operation/Non-operation	Non-operation	2-19
	Passive arming	Operation/Non-operation	Non-operation	2-17
	Dome light/map lights illumination	ON/OFF	OFF	2-14
Remote keyless entry system	Hazard warning flasher	Operation/Non-operation	Operation	2-7
	Audible signal	Operation/Non-operation	Operation	2-10
Key lock-in prevention	Key lock-in prevention	Operation/Non-operation	Operation	2-7
Remote engine start system (dealer option)	Horn chirp confirmation	ON/OFF	ON	7-12
Defogger and deicer system for vehicles with the automatic climate control system	Rear window defogger, outside mirror defogger and windshield wiper deicer	Operation for 15 minutes/ Continuous operation	Operation for 15 minutes	3-35
Map light/Dome light	Operation of map light/dome light OFF delay timer	OFF/Short/Normal/Long	Long	6-2/ 6-3
Battery drainage prevention function	Battery drainage prevention function	Operation/Non-operation	Operation	2-5
Seatbelt warning	Sounds a chime while driving	Operation/Non-operation	Operation	1-12



Seat, seatbelt and SRS airbags

Front seats	1-2	System servicing	1-22
Manual seat	1-3	Precautions against vehicle modification	1-23
Power seat (driver's seat – if equipped)	1-4	Child restraint systems	1-23
Head restraint adjustment.....	1-5	Where to place a child restraint system.....	1-24
Active head restraint	1-5	Choosing a child restraint system	1-25
Seat heater (if equipped)	1-6	Installing child restraint systems with A/ELR seatbelt	1-26
Rear seats	1-7	Installing a booster seat.....	1-29
Armrest	1-7	Installation of child restraint systems by use of lower and tether anchorages (LATCH)	1-30
Head restraint adjustment.....	1-8	Top tether anchorages	1-33
Reclining the seatback (if equipped)	1-9	*SRS airbag (Supplemental Restraint System airbag)	1-34
Folding down the rear seatback.....	1-10	Vehicles with SRS airbags and lap/shoulder restraints for driver, front passenger, and window-side rear passengers.....	1-34
Seatbelts	1-11	SUBARU advanced frontal airbag system	1-38
Seatbelt safety tips.....	1-11	SRS side airbag and SRS curtain airbag.....	1-49
Emergency Locking Retractor (ELR)	1-12	SRS airbag system monitors.....	1-59
Automatic/Emergency Locking Retractor (A/ELR).....	1-12	SRS airbag system servicing	1-59
Seatbelt warning light and chime	1-12	Precautions against vehicle modification	1-60
Fastening the seatbelt	1-14		
Seatbelt maintenance	1-20		
Front seatbelt pretensioners	1-20		
System monitors.....	1-21		

Front seats

WARNING

- Never adjust the seat while driving to avoid the possibility of loss of vehicle control and of personal injury.
- Before adjusting the seat, make sure the hands and feet of rear seat passengers and cargo are clear of the adjusting mechanism.
- Seatbelts provide maximum restraint when the occupant sits well back and upright in the seat. To reduce the risk of sliding under the seatbelt in a collision, the front seatbacks should be always used in the upright position while the vehicle is running. If the front seatbacks are not used in the upright position in a collision, the risk of sliding under the lap belt and of the lap belt sliding up over the abdomen will increase, and both can result in serious internal injury or death.
- The SRS airbags deploy with considerable speed and force. Occupants who are out of proper

position when the SRS airbag deploys could suffer very serious injuries. Because the SRS airbag needs enough space for deployment, the driver should always sit upright and well back in the seat as far from the steering wheel as practical while still maintaining full vehicle control and the front passenger should move the seat as far back as possible and sit upright and well back in the seat.



WARNING

Put children aged 12 and under in the rear seat properly restrained at all times. The SRS airbag deploys

with considerable speed and force and can injure or even kill children, especially if they are 12 years of age and under and are not restrained or improperly restrained. Because children are lighter and weaker than adults, their risk of being injured from deployment is greater. For that reason, we strongly recommend that ALL children (including those in child seats and those that have outgrown child restraint devices) sit in the REAR seat properly restrained at all times in a child restraint device or in a seatbelt, whichever is appropriate for the child's age, height and weight. Secure ALL types of child restraint devices (including forward facing child seat) in the REAR seats at all times.

NEVER INSTALL A REARWARD FACING CHILD SEAT IN THE FRONT SEAT. DOING SO RISKS SERIOUS INJURY OR DEATH TO THE CHILD BY PLACING THE CHILD'S HEAD TOO CLOSE TO THE SRS AIRBAG.

According to accident statistics, children are safer when properly restrained in the rear seating positions than in the front seating positions. For instructions and precau-

tions concerning child restraint systems, refer to “Child restraint systems” 1-23.

■ Manual seat

▼ Forward and backward adjustment



Pull the lever upward and slide the seat to the desired position. Then release the lever and move the seat back and forth to make sure that it is securely locked into place.

▼ Reclining the seatback



Pull the reclining lever up and adjust the seatback to the desired position. Then release the lever and make sure the seatback is securely locked into place.

The seatback placed in a reclined position can spring back upward with force when the lever is pulled. While operating the lever to return the seatback, hold the seatback lightly so that it may be raised back gradually.



WARNING

To prevent the passenger from sliding under the seatbelt in the event of a collision, always put the seatback in the upright position while the vehicle is in motion. Also, do not place objects such as cushions between the passenger and the seatback. If you do so, the risk of sliding under the lap belt and of the lap belt sliding up over the abdomen will increase, and both can result in serious internal injury or death.

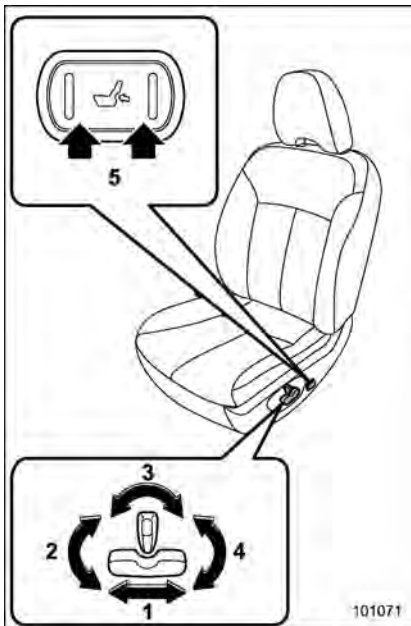
▼ **Seat cushion height adjustment (driver's seat)**



- 1) When the lever is pushed down, the seat is lowered.
- 2) When the lever is pulled up, the seat rises.

The height of the seat can be adjusted by moving the seat cushion adjustment lever up and down.

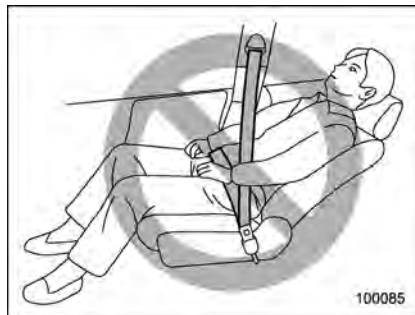
■ **Power seat (driver's seat – if equipped)**



- 1) **Seat position forward/backward control switch**
To adjust the seat forward or backward, move the control switch forward or backward. During forward/backward ad-

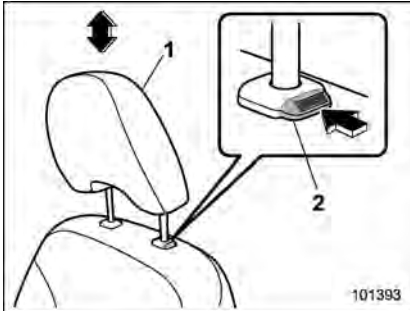
justment of the seat, you cannot adjust the seat cushion angle or seat cushion height.

- 2) **Seat cushion angle control switch**
To adjust the seat cushion angle, pull up or push down the front end of the control switch.
- 3) **Seatback angle (reclining) control switch**
To adjust the angle of the seatback, move the control switch.
- 4) **Seat height control switch**
To adjust the seat height, pull up or push down the rear end of the control switch.
- 5) **Lumbar support control switch**
To increase lower back support, push the front side of the switch. To decrease lower back support, push the rear side of the switch.



WARNING

To prevent the passenger from sliding under the seatbelt in the event of a collision, always put the seatback in the upright position while the vehicle is in motion. Also, do not place objects such as cushions between the passenger and the seatback. If you do so, the risk of sliding under the lap belt and of the lap belt sliding up over the abdomen will increase, and both can result in serious internal injury or death.

Head restraint adjustment

- 1) Head restraint
- 2) Release button

To raise the head restraint, pull it up.

To lower it, push the head restraint down while pressing the release button on the top of the seatback.

- To remove the head restraint

While pressing the release button, pull out the head restraint.

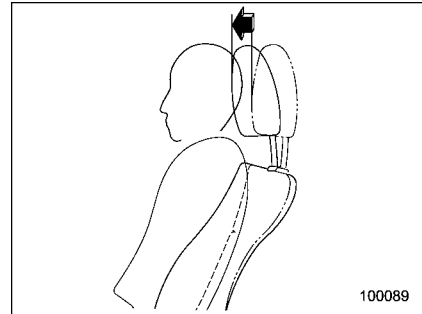
- To install the head restraint

Install the head restraint into the holes that are located on the top of seatback until it locks.

The head restraint should be adjusted so that the center of the head restraint is closest to the top of the occupant's ears.

WARNING

Never drive the vehicle with the head restraints removed because they are designed to reduce the risk of serious neck injury in the event that the vehicle is struck from the rear. Therefore, when you remove the head restraints, you must re-install all of the head restraints to protect vehicle occupants.

Active head restraint

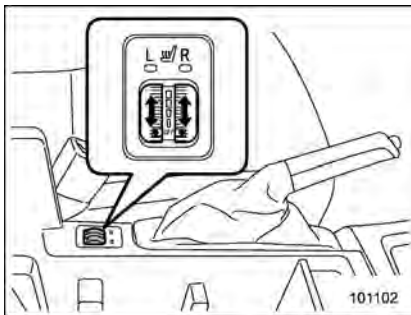
The front seats of your vehicle are equipped with active head restraints. They automatically tilt forward slightly in the event the vehicle is struck from the rear, decreasing the amount of rearward head movement and thus reducing the risk of whiplash. For maximum effectiveness, the head restraint should be adjusted so that the center of the head restraint is closest to the top of the occupant's ears.

CAUTION

- Each active head restraint is effective only when its height is properly adjusted and driver/passenger sits in the correct position on the seat.

- If your vehicle is involved in a rear-end collision, have an authorized SUBARU dealer inspect the active head restraints.
- The active head restraints may not operate in the event the vehicle experiences only a slight impact in the rear.
- The active head restraints may be damaged if they are pushed hard from behind or subjected to shock. As a result, they may not function if the vehicle suffers a rear impact.

Seat heater (if equipped)



Each front seat is equipped with a seat heater.

The seat heater operates when the ignition switch is either in the "Acc" or "ON" position.

Each seat heater has four levels of adjustment. To use the heater in the right-hand seat, turn the "R" adjustment dial forward until the "●" mark reaches the desired position. To activate the heater in the left-hand seat, turn the "L" adjustment dial forward until the "●" mark reaches the desired position. Each heater warms the seat most quickly with the "●" mark on the adjustment dial in the furthest-forward position. An indicator light next to the

adjustment dial for each seat heater illuminates when that seat heater is activated.

When the vehicle's interior is warmed enough or before you leave the vehicle, always turn the adjustment dial to the most rearward position so that the "●" mark reaches to the "OFF" position.

CAUTION

- There is a possibility that people with delicate skin may suffer slight burns even at low temperatures if they use the seat heater for a long period of time. When using the heater, always be sure to warn the persons concerned.
- Do not put anything on the seat which insulates against heat, such as a blanket, cushion, or similar items. This may cause the seat heater to overheat.

NOTE

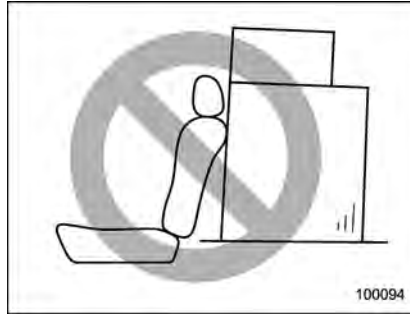
Use of the seat heater for a long period of time while the engine is not running can cause battery discharge.

Rear seats



WARNING

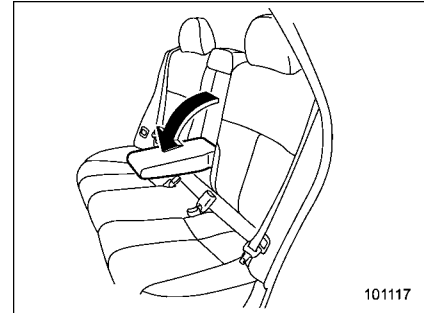
Seatbelts provide maximum restraint when the occupant sits well back and upright in the seat. Do not put cushions or any other materials between occupants and seatbacks or seat cushions. If you do so, the risk of sliding under the lap belt and of the lap belt sliding up over the abdomen will increase, and both can result in serious internal injury or death.



WARNING

Never stack luggage or other cargo higher than the top of the seatback because it could tumble forward and injure passengers in the event of a sudden stop or accident.

■ Armrest



To lower the armrest, pull on the top edge of the armrest.

WARNING

To avoid the possibility of serious injury, passengers must never be allowed to sit on the center armrest while the vehicle is in motion.

■ Head restraint adjustment

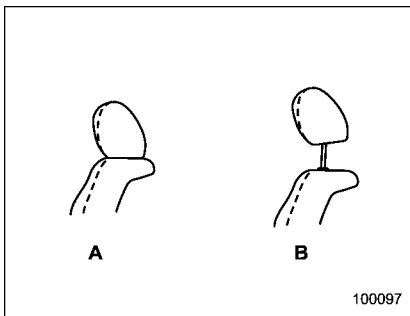
WARNING

Never drive the vehicle with the head restraints removed because they are designed to reduce the risk of serious neck injury in the event that the vehicle is struck from the rear.

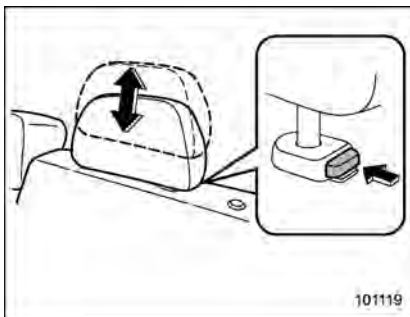
▼ Rear windows side seating position

CAUTION

The head restraint is not intended to be used at the lowest position. Before sitting on the seat, raise the head restraint to an appropriate position depending on your sitting height.



- A) When not used (retracted position)
- B) When used (click position)



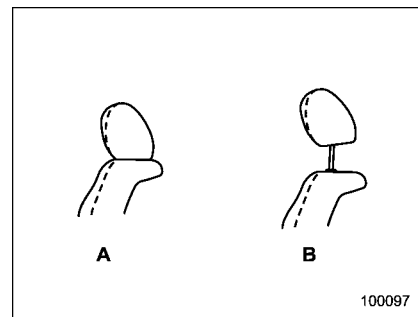
To raise the head restraint, pull it up.
To lower it, push the head restraint down while pressing the release button on the top of the seatback.

The head restraint should be adjusted so that the center of the head restraint is closest to the top of the occupant's ears. When the seats are not occupied, lower the head restraints to improve rearward visibility.

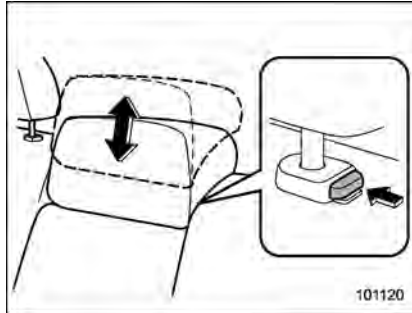
▼ Rear center seating position

CAUTION

The head restraint is not intended to be used at the lowest position. Before sitting on the seat, raise the head restraint to an appropriate position depending on your sitting height.



- A) When not used (retracted position)
- B) When used (click position)



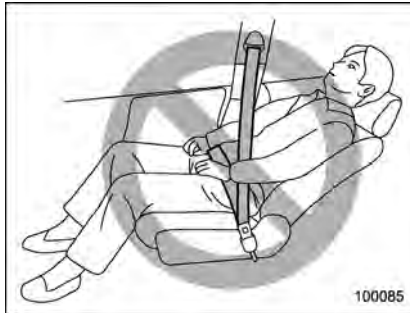
101120

To raise the head restraint, pull it up while pressing the release button on the top of the seatback.

To lower it, push the head restraint down while pressing the release button.

When the rear-center seating position is occupied, raise the head restraint to an appropriate position depending on your sitting height. When the rear center seating position is not occupied, lower the head restraint to improve rearward visibility.

■ Reclining the seatback (if equipped)



100085

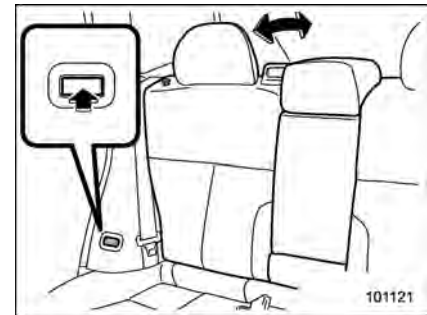
⚠ WARNING

To prevent the passenger from sliding under the seatbelt in the event of a collision, always put the seatback in the upright position while the vehicle is in motion. Also, do not place objects such as cushions between the passenger and the seatback. If you do so, the risk of sliding under the lap belt and of the lap belt sliding up over the abdomen will increase, and both can result in serious internal injury or death.

⚠ CAUTION

If the vehicle is equipped with a cargo area cover, observe the following precautions.

- Be careful not to pinch your hand between the headrest and the cargo area cover when you recline the rear seat.
- Move the front cover of the cargo area cover backward so that the cover is not damaged by the reclined seatback. Refer to “Cargo area cover (dealer option)” 6-13.



101121

Push the switch and adjust the seatback to the desired position.

Then release the switch and make sure the seatback is securely locked into place.

■ Folding down the rear seatback

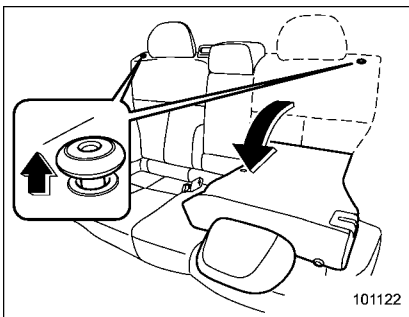
WARNING

- After returning the rear seatback to its original position, be certain to place all of the seatbelts and the tab attached to the seat cushion above the seat cushion. And make certain that the shoulder belts are fully visible.
- Never allow passengers to ride on the folded rear seatback or in the cargo area. Doing so may result in serious injury or death.
- Secure all objects and especially long items properly to prevent them from being thrown around inside the vehicle and causing serious injury during a sudden stop, a sudden steering maneuver or a rapid acceleration.

- For vehicles equipped with the rear seat center table, when folding down the rear seatback, return the rear seat center table to its original position. If the rear seat center table is not returned to its original position, the rear seat center table could break and bodily injury could occur.

CAUTION

Vehicles with the reclining function may automatically fold down strongly because of its internal spring. Operate the seatback assisting with your hands.



1. Lower the head restraints.
2. Unlock the seatback by pulling the release knob and then fold the seatback down.

To return the seatback to its original position, raise the seatback until it locks into place and make sure that it is securely locked.

Seatbelts

■ Seatbelt safety tips

WARNING

- All persons in the vehicle should fasten their seatbelts **BEFORE** the vehicle starts to move. Otherwise, the possibility of serious injury becomes greater in the event of a sudden stop or accident.
- All belts should fit snugly in order to provide full restraint. Loose fitting belts are not as effective in preventing or reducing injury.
- Each seatbelt is designed to support only one person. Never use a single belt for two or more persons – even children. Otherwise, in an accident, serious injury or death could result.
- Replace all seatbelt assemblies including retractors and attaching hardware worn by occupants of a vehicle that has been in a serious accident. The entire assembly should be replaced even if damage is not obvious.
- Put children aged 12 and under in

the rear seat properly restrained at all times. The SRS airbag deploys with considerable speed and force and can injure or even kill children, especially if they are 12 years of age and under and are not restrained or improperly restrained. Because children are lighter and weaker than adults, their risk of being injured from deployment is greater. For that reason, we strongly recommend that **ALL** children (including those in child seats and those that have outgrown child restraint devices) sit in the **REAR** seat properly restrained at all times in a child restraint device or in a seatbelt, whichever is appropriate for the child's height and weight.

Secure **ALL** types of child restraint devices (including forward facing child seats) in the **REAR** seats at all times.

NEVER INSTALL A REARWARD FACING CHILD SEAT IN THE FRONT SEAT. DOING SO RISKS SERIOUS INJURY OR DEATH TO THE CHILD BY PLACING THE CHILD'S HEAD TOO CLOSE TO THE SRS AIRBAG.

According to accident statistics, children are safer when properly restrained in the rear seating positions than in the front seating positions. For instructions and precautions concerning the child restraint system, refer to "Child restraint systems" ¶ 1-23.

Your vehicle is equipped with a crash sensing and diagnostic module, which will record the use of the seatbelt by the front passenger when any of the SRS frontal and side airbags deploy.

▼ Infants or small children

Use a child restraint system that is suitable for your vehicle. Refer to "Child restraint systems" ¶ 1-23.

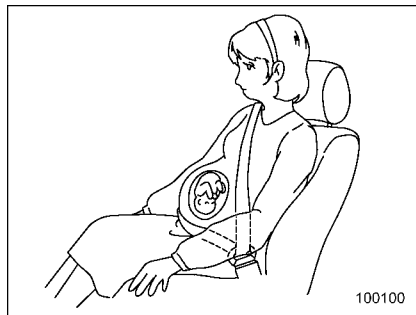
▼ Children

If a child is too big for a child restraint system, the child should sit in the rear seat and be restrained using the seatbelts. According to accident statistics, children are safer when properly restrained in the rear seating positions than in the front seating positions. Never allow a child to stand up or kneel on the seat.

If the shoulder portion of the belt crosses the face or neck, adjust the shoulder belt anchor height (window-side seating posi-

tions only) and then if necessary move the child closer to the belt buckle to help provide a good shoulder belt fit. Care must be taken to securely place the lap belt as low as possible on the hips and not on the child's waist. If the shoulder portion of the belt cannot be properly positioned, a child restraint system should be used. Never place the shoulder belt under the child's arm or behind the child's back.

▼ **Expectant mothers**



Expectant mothers also need to use the seatbelts. They should consult their doctor for specific recommendations. The lap belt should be worn securely and as low as possible over the hips, not over the waist.

■ **Emergency Locking Retractor (ELR)**

The driver's seatbelt has an Emergency Locking Retractor (ELR).

The emergency locking retractor allows normal body movement but the retractor locks automatically during a sudden stop, impact or if you pull the belt very quickly out of the retractor.

■ **Automatic/Emergency Locking Retractor (A/ELR)**

Each passenger's seatbelt has an Automatic/Emergency Locking Retractor (A/ELR). The Automatic/Emergency Locking Retractor normally functions as an Emergency Locking Retractor (ELR). The A/ELR has an additional locking mode "Automatic Locking Retractor (ALR) mode" intended to secure a child restraint system. When the seatbelt is once drawn out completely and is then retracted even slightly, the retractor locks the seatbelt in that position and the seatbelt cannot be extended. As the belt is rewinding, clicks will be heard which indicate the retractor functions as an ALR. When the seatbelt is retracted fully, the ALR mode is released.

When securing a child restraint system on the rear seats by the use of the seatbelt, the seatbelt must be changed over to the

Automatic Locking Retractor (ALR) mode.

When the child restraint system is removed, make sure that the seatbelt retracts fully and the retractor returned to the Emergency Locking Retractor (ELR) mode.

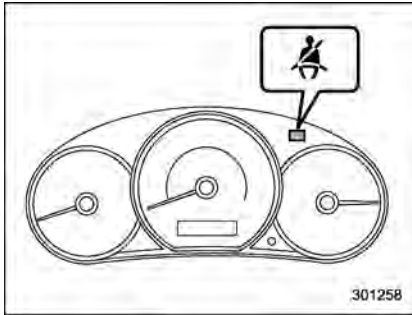
For instructions on how to convert the retractor to the ALR mode and restore it to the ELR mode, refer to "Installing child restraint systems with A/ELR seatbelt" 1-26.

■ **Seatbelt warning light and chime**

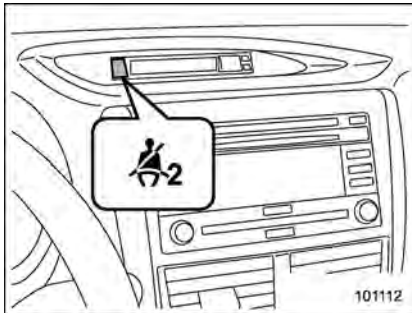


Your vehicle is equipped with a seatbelt warning device at the driver's and front passenger's seat, as required by current safety standards.

With the ignition switch turned to the "ON" position, this device reminds the driver and front passenger to fasten their seatbelts by illuminating the warning lights in the locations indicated in the following illustration and sounding a chime.



Driver's warning light



Front passenger's warning light

▼ Operation

If the driver and/or front passenger have/has not yet fastened the seatbelt(s) when

the ignition switch is turned to the "ON" position, the seatbelt warning light(s) will flash for 6 seconds, to warn that the seatbelt(s) is/are unfastened. If the driver's seatbelt is not fastened, a chime will also sound simultaneously.

NOTE

- If the driver's and/or front passenger's seatbelt(s) are/is still not fastened 6 seconds later, the seatbelt warning device operates as follows according to the vehicle speed.

- At speeds lower than approximately 9 mph (15 km/h)

The warning light(s) for unfastened seatbelt(s) will alternate between steady illumination and flashing at 15-second intervals. The chime will not sound.

- At speeds higher than approximately 9 mph (15 km/h)

The warning light(s) for unfastened seatbelt(s) will alternate between flashing and steady illumination at 15-second intervals and the chime will sound while the warning light(s) is/are flashing.

- It is possible to cancel the warning operation that follows the 6-second warning after turning ON the ignition switch. When the ignition switch is

turned ON next time, however, the complete sequence of the warning operation resumes. For further details about canceling the warning operation, please contact your SUBARU dealer.

If there is no passenger on the front passenger's seat, the seatbelt warning device for the front passenger's seat will be deactivated. The front passenger's occupant detection system monitors whether or not there is a passenger on the front passenger's seat.

Observe the following precautions. Failure to do so may prevent the device from functioning correctly or cause the device to fail.

- Do not install any accessory such as a table or TV onto the seatback.
- Do not store a heavy load in the seatback pocket.
- Do not allow the rear seat occupant to place his/her hands or legs on the front passenger's seatback, or allow him/her to pull the seatback.
- Do not use front seats with their backward-forward position and seatback not being locked into place securely. If any of them are not locked securely, adjust them again. For the adjustment procedure of the manual seats, refer to "Manual seat" 1-3.

If the seatbelt warning device for the front passenger's seat does not function correctly (e.g., it is activated even when the front passenger's seat is empty or it is deactivated even when the front passenger has not fastened his/her seatbelt), take the following actions.

- Ensure that no article is placed on the seat other than a child restraint system and the child occupant, although we strongly recommend that all children sit in the rear seat properly restrained.
- Ensure that there is no article left in the seatback pocket.
- Ensure that the backward-forward position and seatback of front passenger's seat are locked into place securely by moving the seat back and forth.

If the seatbelt warning device for front passenger's seat still does not function correctly after taking relevant corrective actions described above, immediately contact your SUBARU dealer for an inspection.

■ Fastening the seatbelt



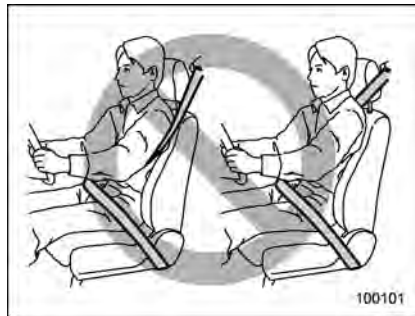
WARNING

- Never use a belt that is twisted or reversed. In an accident, this can

increase the risk or severity of injury.

- Keep the lap belt as low as possible on your hips. In a collision, this spreads the force of the lap belt over stronger hip bones instead of across the weaker abdomen.
- Seatbelts provide maximum restraint when the occupant sits well back and upright in the seat. To reduce the risk of sliding under the seatbelt in a collision, the front seatbacks should be always used in the upright position while the vehicle is running. If the front seatbacks are not used in the upright position in a collision, the risk of sliding under the lap belt and of the lap belt sliding up over the abdomen will increase, and both can result in serious internal injury or death.

- Do not put cushions or any other materials between occupants and seatbacks or seat cushions. If you do so, the risk of sliding under the lap belt and of the lap belt sliding up over the abdomen will increase, and both can result in serious internal injury or death.



WARNING

Never place the shoulder belt under the arm or behind the back. If an accident occurs, this can increase the risk or severity of injury.

CAUTION

Metallic parts of the seatbelt can become very hot in a vehicle that has been closed up in sunny weather; they could burn an occupant. Do not touch such hot parts until they cool.

▼ **Front seatbelts**

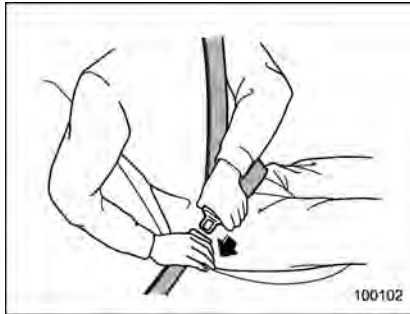
1. Adjust the seat position according to the following procedure.

Driver's seat: Adjust the seatback to the upright position. Move the seat as far from the steering wheel as practical while still maintaining full vehicle control.

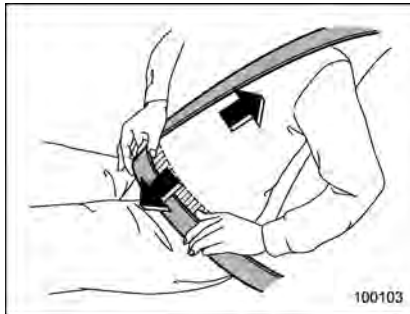
Front passenger's seat: Adjust the seatback to the upright position. Move the seat as far back as possible.

2. Sit well back in the seat.

3. Pick up the tongue plate and pull the belt out slowly. Do not let it get twisted. If the belt stops before reaching the buckle, return the belt slightly and pull it out more slowly. If the belt still cannot be unlocked, let the belt retract slightly after giving it a strong pull, then pull it out slowly again.



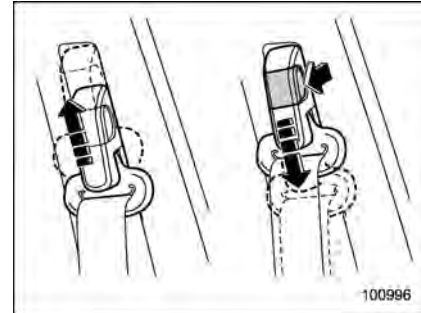
4. Insert the tongue plate into the buckle until you hear a click.



5. To make the lap part tight, pull up on the shoulder belt.

6. Place the lap belt as low as possible on your hips, not on your waist.

▽ **Adjusting the front seat shoulder belt anchor height**



The shoulder belt anchor height should be adjusted to the position best suited for the driver/front passenger.

To lower the anchor height, pull the release knob and slide the anchor down.

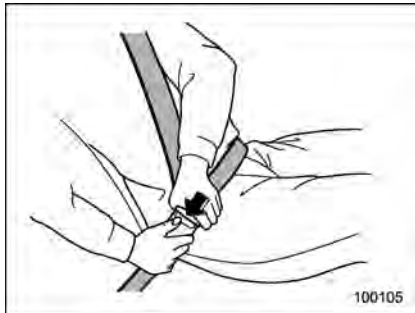
To raise the anchor height, slide the anchor up. Pull down on the anchor to make sure that it is locked in place.

Always adjust the anchor height so that the shoulder belt passes over the middle of the shoulder without touching the neck.

WARNING

When wearing the seatbelts, make sure the shoulder portion of the webbing does not pass over your neck. If it does, adjust the seatbelt anchor to a lower position. Placing the shoulder belt over the neck may result in neck injury during sudden braking or in a collision.

▽ Unfastening the seatbelt

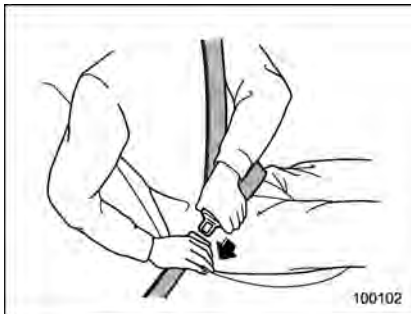


Push the button on the buckle.

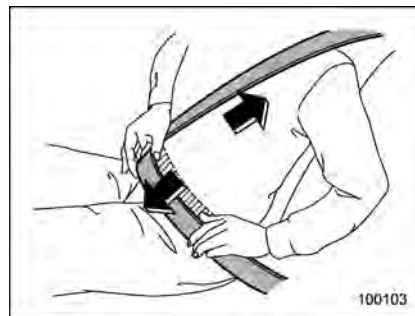
Before closing the door, make sure that the belts are retracted properly to avoid catching the belt webbing in the door.

▽ Rear seatbelts (except rear center seatbelt)

1. Sit well back in the seat.
2. Pick up the tongue plate and pull the belt out slowly. Do not let it get twisted. If the belt stops before reaching the buckle, return the belt slightly and pull it out more slowly. If the belt still cannot be unlocked, let the belt retract slightly after giving a strong pull on it, then pull it out slowly again.

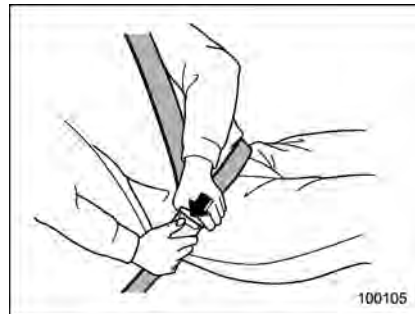


3. Insert the tongue plate into the buckle until you hear a click.



4. To make the lap part tight, pull up on the shoulder belt.
5. Place the lap belt as low as possible on your hips, not on your waist.

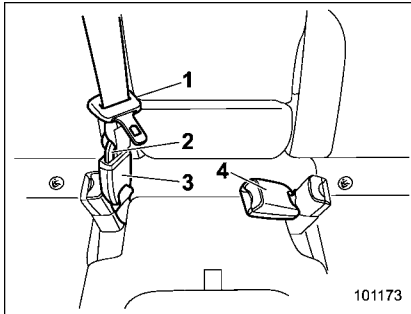
▽ Unfastening the seatbelt



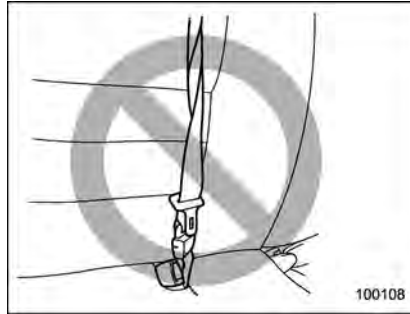
Push the button on the buckle.

Before closing the door, make sure that the belts are retracted properly to avoid catching the belt webbing in the door.

▼ Rear center seatbelt



- 1) Center seatbelt tongue plate
- 2) Connector (tongue)
- 3) Connector (buckle)
- 4) Center seatbelt buckle



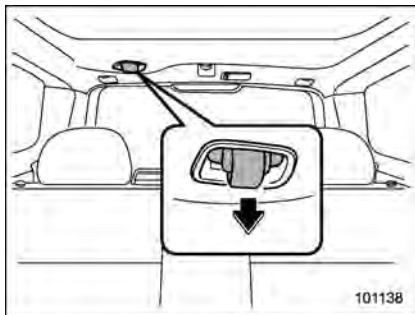
⚠ WARNING

Fastening the seatbelt with the webbing twisted can increase the risk or severity of injury in an accident. When fastening the belt after it is pulled out from the retractor, especially when inserting the connector's tongue plate into the mating buckle (on right-hand side), always check that the webbing is not twisted.



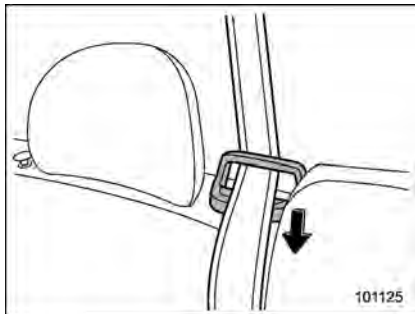
⚠ WARNING

Be sure to fasten both tongue plates to the respective buckles. If the seatbelt is used only as a shoulder belt (with the connector's tongue plate not fastened to the connector's buckle on the right-hand side), it cannot properly restrain the wearer in position in an accident, possibly resulting in serious injury or death.

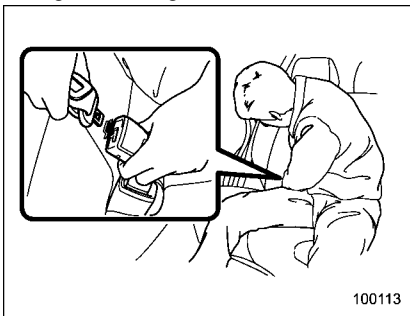


The rear center seatbelt is stowed in a recessed compartment located in the ceiling above the cargo area.

1. Remove the tongue plate from the slot in the recessed compartment and pull out the seatbelt slowly.

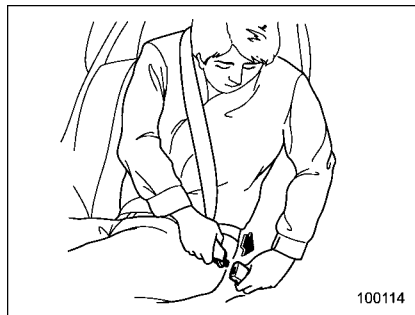


2. After drawing out the seatbelt, pass it through the belt guide.

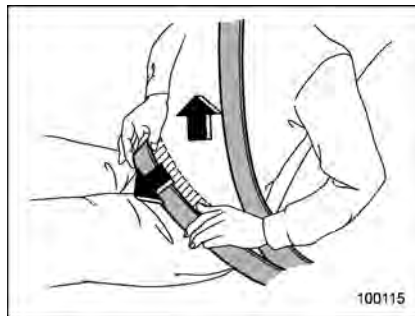


3. After confirming that the webbing is not twisted, insert the connector (tongue) attached at the webbing end into the buckle on the right-hand side until a click is heard.

If the belt stops before reaching the buckle, return the belt slightly and pull it out more slowly. If the belt still cannot be unlocked, let the belt retract slightly after giving it a strong pull, then pull it out slowly again.



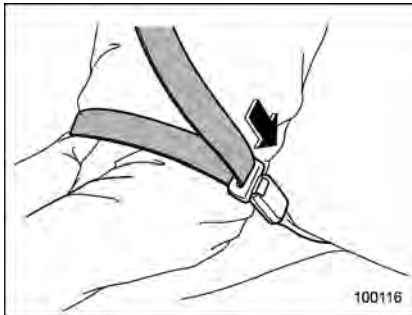
4. Insert the center seatbelt tongue plate into the center seatbelt buckle marked "CENTER" on the left-hand side until it clicks.



5. To make the lap part tight, pull up on the shoulder belt.

6. Place the lap belt as low as possible on your hips, not on your waist.

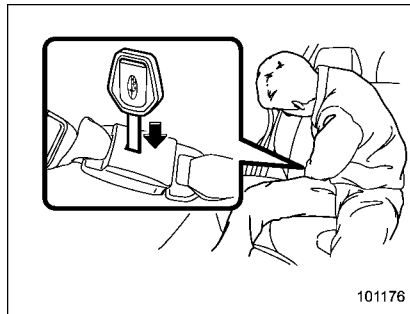
▽ Unfastening the seatbelt



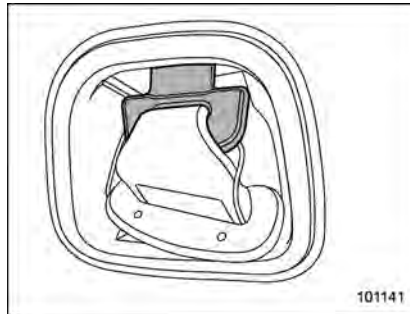
Push the release button of the center seatbelt buckle (on the left-hand side) to unfasten the seatbelt.

NOTE

When the seatback is folded down for greater cargo area, it is necessary to disconnect the connector.

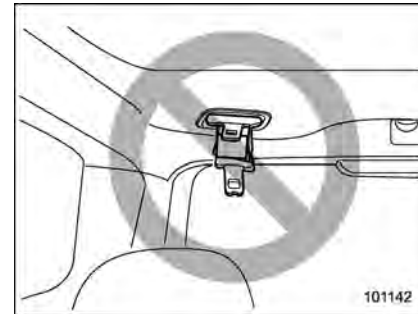


1. Insert a key or other hard pointed object into the slot in the connector (buckle) on the right-hand side and push it in, and the connector (tongue) plate will disconnect from the buckle.



2. Allow the retractor to roll up the belt.

You should hold the webbing end and guide it back into the retractor while it is rolling up. Neatly store the tongue plate in the recessed compartment and then insert the connector (tongue) plate into the slot.



⚠ CAUTION

- Do not allow the retractor to roll up the seatbelt too quickly. Otherwise, the metal tongue plates may hit against the trim, resulting in damaged trim.

- Have the seatbelt fully rolled up so that the tongue plates are neatly stored. A hanging tongue plate can swing and hit against the trim during driving, causing damage to the trim.

■ Seatbelt maintenance

To clean the seatbelts, use a mild soap and lukewarm water. Never bleach or dye the belts because this could seriously affect their strength.

Inspect the seatbelts and attachments including the webbing and all hardware periodically for cracks, cuts, gashes, tears, damage, loose bolts or worn areas. Replace the seatbelts even if only minor damage is found.



CAUTION

- Keep the belts free of polishes, oils, chemicals and particularly battery acid.
- Never attempt to make modifications or changes that will prevent the seatbelt from operating properly.

Front seatbelt pretensioners



The driver's and front passenger's seatbelts have a seatbelt pretensioner. The seatbelt pretensioners for the driver's seat and front passenger's seat operate at the same time as the frontal, and side SRS airbags. If the vehicle rolls over, they operate simultaneously with the curtain airbag.

The front and side airbag sensors and the rollover sensor are used as the pretensioner sensors. If a sensor detects a certain predetermined amount of force during a frontal collision, a side impact collision or a rollover collision, the front seatbelt is quickly drawn back in by the retractor to take up the slack so that the belt more effectively restrains the front

seat occupant.

When a seatbelt pretensioner is activated, an operating noise will be heard and a small amount of smoke will be released. These occurrences are normal and not harmful. This smoke does not indicate a fire in the vehicle.

Once the seatbelt pretensioner has been activated, the seatbelt retractor remains locked. Consequently, the seatbelt can not be pulled out and retracted and therefore must be replaced.

NOTE

- Seatbelt pretensioners are not designed to activate in minor frontal or side impacts or in rear impacts.
- The driver's seat and passenger's seat pretensioners and frontal, side or curtain SRS airbags operate simultaneously.
- Pretensioners are designed to function on a one-time-only basis. In the event that a pretensioner is activated, both the driver's and front passenger's seatbelt retractor assemblies must be replaced only by an authorized SUBARU dealer. When replacing seatbelt retractor assemblies, use only genuine SUBARU parts.

- If either front seatbelt does not retract or cannot be pulled out due to a malfunction or activation of the pretensioner, contact your SUBARU dealer as soon as possible.
- If the front seatbelt retractor assembly or surrounding area has been damaged, contact your SUBARU dealer as soon as possible.
- When you sell your vehicle, we urge you to explain to the buyer that it has seatbelt pretensioners by alerting him to the contents of this section.

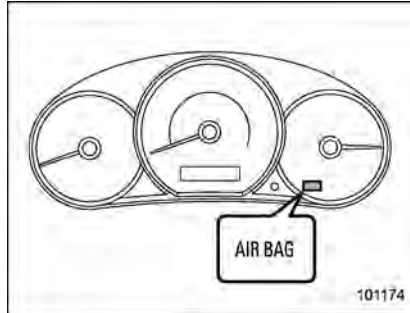
WARNING

- To obtain maximum protection, the occupants should sit in an upright position with their seatbelts properly fastened. Refer to "Seatbelts" 1-11.
- Do not modify, remove or strike the front seatbelt retractor assemblies or surrounding area. This could result in accidental activation of the seatbelt pretensioners or could make the system inoperative, possibly resulting in serious injury. Seatbelt pretensioners have no user-serviceable parts. For required servicing of front seatbelt retractors

equipped with seatbelt pretensioners, see your nearest SUBARU dealer.

- When discarding front seatbelt retractor assemblies or scrapping the entire vehicle due to collision damage or for other reasons, consult your SUBARU dealer.

■ System monitors



SRS airbag system warning light

A diagnostic system continually monitors the readiness of the seatbelt pretensioner while the vehicle is being driven. The seatbelt pretensioners share the control module with the SRS airbag system. Therefore, if any malfunction occurs in a

seatbelt pretensioner, the SRS airbag system warning light will illuminate. The SRS airbag system warning light will show normal system operation by lighting for approximately 6 seconds when the ignition switch is turned to the "ON" position.

The following components are monitored by the indicator:

- Front sub sensor (right-hand side)
- Front sub sensor (left-hand side)
- Airbag control module (including impact and rollover sensors)
- Frontal airbag module (driver's side)
- Frontal airbag module (front passenger's side)
- Side airbag sensor (center pillar right-hand side)
- Side airbag sensor (center pillar left-hand side)
- Side airbag module (driver's side)
- Side airbag module (front passenger's side)
- Curtain airbag sensor (rear wheel house right-hand side)
- Curtain airbag sensor (rear wheel house left-hand side)
- Curtain airbag module (right side)
- Curtain airbag module (left side)
- Satellite safing sensor (under the rear center seat)

- Seatbelt pretensioner (driver's side)
- Seatbelt pretensioner (front passenger's side)
- Seatbelt buckle switch (front passenger's side)
- Front passenger's seatbelt tension sensor
- Front passenger's occupant detection system weight sensor
- Front passenger's occupant detection control module
- Front passenger's frontal airbag ON and OFF indicator
- All related wiring



WARNING

If the warning light exhibits any of the following conditions, there may be a malfunction in the seatbelt pretensioners and/or SRS airbag system. Immediately take your vehicle to your nearest SUBARU dealer to have the system checked. Unless checked and properly repaired, the seatbelt pretensioners and/or SRS airbag will not operate properly in the event of a collision, which may increase the risk of injury.

- Flashing or flickering of the warning light

- No illumination of the warning light when the ignition switch is first turned to the "ON" position
- Continuous illumination of the warning light
- Illumination of the warning light while driving

■ System servicing



WARNING

- When discarding a seatbelt retractor assembly or scrapping the entire vehicle damaged by a collision, consult your SUBARU dealer.



CAUTION

The front sub sensors are located on both the right and left sides at the front of the vehicle, and the SRS airbag control module including the impact sensors is located under the center console. If you need service or repair in those areas or near the front seatbelt retractors, have the work performed by your authorized SUBARU dealer.

NOTE

If the front part of the vehicle is damaged in an accident to the extent

that the seatbelt pretensioner does not operate, contact your SUBARU dealer as soon as possible.

■ Precautions against vehicle modification

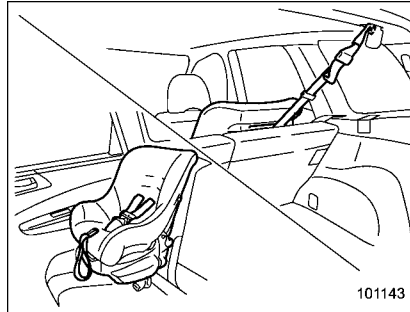
Always consult your SUBARU dealer if you want to install any accessory parts to your vehicle.

CAUTION

Do not perform any of the following modifications. Such modifications can interfere with proper operation of the seatbelt pretensioners.

- Attachment of any equipment (bush bar, winches, snow plow, skid plate, etc.) other than genuine SUBARU accessory parts to the front end.
- Modification of the suspension system or front end structure.
- Installation of a tire of different size and construction from the tires specified on the vehicle placard attached to the driver's door pillar or specified for individual vehicle models in this Owner's Manual.

Child restraint systems



Infants and small children should always be placed in an infant or child restraint system in the rear seat while riding in the vehicle. You should use an infant or child restraint system that meets Federal Motor Vehicle Safety Standards or Canada Motor Vehicle Safety Standards, is compatible with your vehicle and is appropriate for the child's age and size. All child restraint systems are designed to be secured in vehicle seats by lap belts or the lap belt portion of a lap/shoulder belt (except those described in "Installation of child restraint systems by use of lower and tether anchorages (LATCH)" ¶1-30). Children could be endangered in an accident if their child restraints are not

properly secured in the vehicle. When installing the child restraint system, carefully follow the manufacturer's instructions.

According to accident statistics, children are safer when properly restrained in the rear seating positions than in the front seating positions.

All U.S. states and Canadian provinces require that infants and small children be restrained in an approved child restraint system at all times while the vehicle is moving.

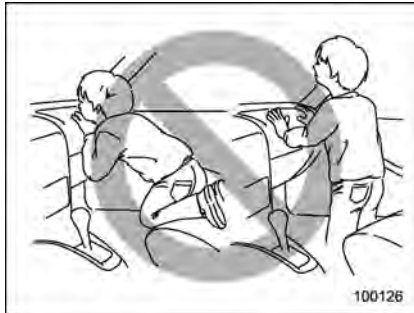


WARNING

Never let a passenger hold a child on his or her lap or in his or her arms while the vehicle is moving. The passenger cannot protect the

child from injury in a collision, because the child will be caught between the passenger and objects inside the vehicle.

Additionally, holding a child in your lap or arms in the front seat exposes that child to another serious danger. Since the SRS airbag deploys with considerable speed and force, the child could be injured or even killed.



⚠ WARNING

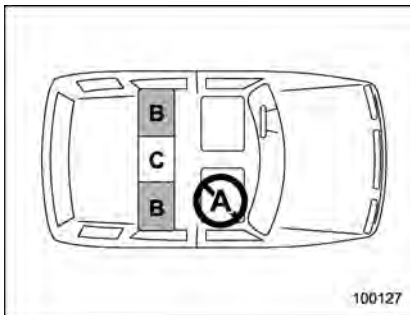
Children should be properly restrained at all times. Never allow a child to stand up, or to kneel on any seat. Unrestrained children will be thrown forward during sudden stop

or in an accident and can be injured seriously.

Additionally, children standing up or kneeling on or in front of the front seat are exposed another serious danger. Since the SRS airbag deploys with considerable speed and force, the child could be injured or even killed.

■ Where to place a child restraint system

The following are SUBARU's recommendations on where to place a child restraint system in your vehicle.



A: Front passenger's seat

You should not install a child restraint system (including a booster seat) due to the hazard to children posed by the passenger's airbag.

B: Rear seat, window-side seating positions

Recommended positions for all types of child restraint systems.

In these positions, Automatic/Emergency Locking Retractor (A/ELR) seatbelts and lower anchorages (bars) are provided for installing a child restraint system.

Some types of child restraints might not be able to be secured firmly due to projection of the seat cushion.

In this seating position, you should use only a child restraint system that has a bottom base that fits snugly against the contours of the seat cushion and can be securely retained using the seatbelt.

C: Rear seat, center seating position

Installing a child restraint system is not recommended, although the A/ELR seatbelt and an upper anchorage (tether anchorage) are provided in this position.

Some types of child restraints might not be able to be secured firmly due to projection of the seat cushion.

In this seating position, you should use

only a child restraint system that has a bottom base that fits snugly against the contours of the seat cushion and can be securely retained using the seatbelt.

If it is unavoidable to install a child restraint system in the rear seat's center seating position, lower the center head restraint to the lowest position and install the child restraint system by correctly passing the rear center seatbelt through the belt guide.

WARNING

Put children aged 12 and under in the rear seat properly restrained at all times. The SRS airbag deploys with considerable speed and force and can injure or even kill children, especially if they are 12 years of age and under and are not restrained or improperly restrained. Because children are lighter and weaker than adults, their risk of being injured from deployment is greater.

For that reason, be sure to secure ALL types of child restraint devices (including forward facing child seats) in the REAR seats at all times. You should choose a restraint device which is appropriate for the child's age, height and weight. Ac-

cording to accident statistics, children are safer when properly restrained in the rear seating positions than in the front seating positions.

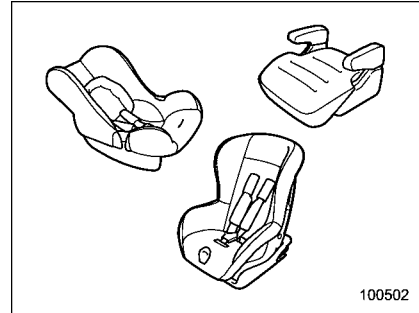


101154

WARNING

SINCE YOUR VEHICLE IS EQUIPPED WITH A PASSENGER'S SRS AIRBAG, NEVER INSTALL A REARWARD FACING CHILD SAFETY SEAT IN THE FRONT PASSENGER'S SEAT. DOING SO RISKS SERIOUS INJURY OR DEATH TO THE CHILD BY PLACING THE CHILD'S HEAD TOO CLOSE TO THE SRS AIRBAG.

Choosing a child restraint system



100502

Choose a child restraint system that is appropriate for the child's age and size (weight and height) in order to provide the child with proper protection. The child restraint system should meet all applicable requirements of Federal Motor Vehicle Safety Standards for the United States or of Canada Motor Vehicle Safety Standards for Canada. It can be identified by looking for the label on the child restraint system or the manufacturer's statement of compliance in the document attached to the system.

Also it is important for you to make sure that the child restraint system is compatible with the vehicle in which it will be used.

■ Installing child restraint systems with A/ELR seatbelt

WARNING

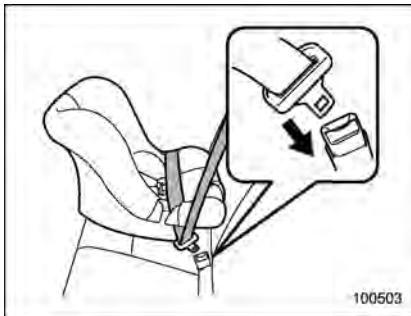
- Child restraint systems and seatbelts can become hot in a vehicle that has been closed up in sunny weather; they could burn a small child. Check the child restraint system before you place a child in it.
- Do not leave an unsecured child restraint system in your vehicle. Unsecured child restraint systems can be thrown around inside of the vehicle in a sudden stop, turn or accident; they can strike and injure vehicle occupants as well as result in serious injuries or death to the child.

CAUTION

When you install a child restraint system, follow the manufacturer's instructions supplied with it. After installing the child restraint system, check to ensure that it is held securely in position. If it is not held tight and secure, the danger of your

child suffering personal injury in the event of an accident may be increased.

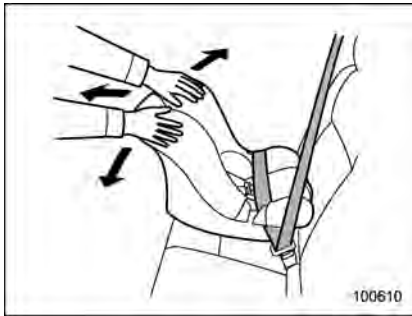
▼ Installing a rearward facing child restraint



1. Place the child restraint system in the rear seating position.
2. Run the lap and shoulder belt through or around the child restraint system following the instructions provided by its manufacturer.
3. Insert the tongue plate into the buckle until you hear a click.

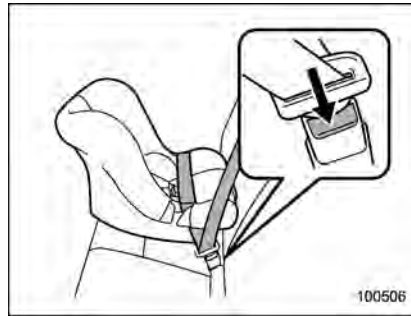


4. Take up the slack in the lap belt.
5. Pull out the seatbelt fully from the retractor to change the retractor over from the Emergency Locking Retractor (ELR) to the Automatic Locking Retractor (ALR) function. Then, allow the belt to rewind into the retractor. As the belt is rewinding, clicks will be heard which indicate the retractor functions as ALR.



6. Push and pull the child restraint system forward and from side to side to check if it is firmly secured. Sometimes a child restraint can be more firmly secured by pushing it down into the seat cushion and then tightening the seatbelt.

7. Pull at the shoulder portion of the belt to confirm that it cannot be pulled out (ALR properly functioning).



8. To remove the child restraint system, press the release button on the seatbelt buckle and allow the belt to retract completely. The belt will return to the ELR mode.

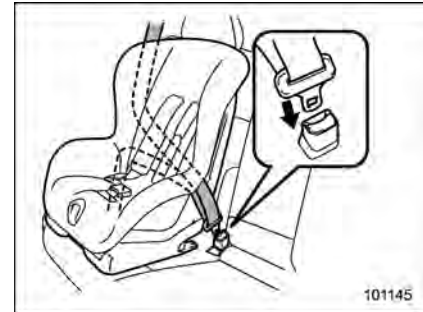
WARNING

NEVER INSTALL A REARWARD FACING CHILD SEAT IN THE FRONT PASSENGER'S SEAT. DOING SO RISKS SERIOUS INJURY OR DEATH TO THE CHILD BY PLACING THE CHILD'S HEAD TOO CLOSE TO THE SRS AIRBAG.

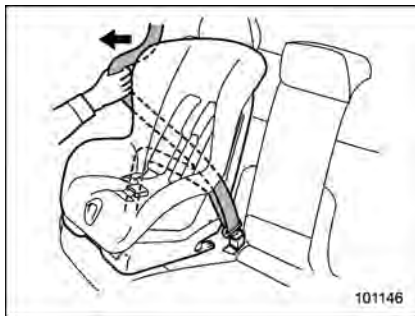
NOTE

When the child restraint system is no longer in use, remove it and restore the ELR function of the retractor. That function is restored by allowing the seatbelt to retract fully.

▼ Installing forward facing child restraint



1. Place the child restraint system in the rear seating position.
2. Run the lap and shoulder belt through or around the child restraint system following the instructions provided by its manufacturer.
3. Insert the tongue plate into the buckle until you hear a click.



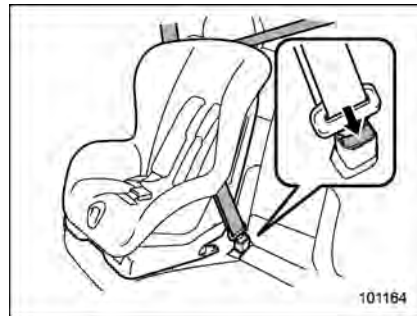
4. Take up the slack in the lap belt.
5. Pull out the seatbelt fully from the retractor to change the retractor over from the Emergency Locking Retractor (ELR) to the Automatic Locking Retractor (ALR) function. Then, allow the belt to rewind into the retractor. As the belt is rewinding, clicks will be heard which indicate the retractor functions as ALR.



6. Before having a child sit in the child restraint system, move it back and forth and right and left to check if it is firmly secured. Sometimes a child restraint can be more firmly secured by pushing it down into the seat cushion and then tightening the seatbelt.
7. Pull at the shoulder portion of the belt to confirm that it cannot be pulled out (ALR properly functioning).



8. If the child restraint system requires a top tether, latch the hook onto the top tether anchorage and tighten the top tether. For additional instructions, refer to "Top tether anchorages" 1-33.



9. To remove the child restraint system, press the release button on the seatbelt buckle and allow the belt to retract completely. The belt will return to the ELR mode.

NOTE

When the child restraint system is no longer in use, remove it and restore the ELR function of the retractor. That function is restored by allowing the seatbelt to retract fully.

■ Installing a booster seat

WARNING

- Child restraint systems and seatbelts can become hot in a vehicle that has been closed up in sunny weather; they could burn a small child. Check the child restraint system before you place a child in it.
- Do not leave an unsecured child restraint system in your vehicle. Unsecured child restraint systems can be thrown around inside of the vehicle in a sudden stop, turn or accident; they can strike and injure vehicle occupants as well as result in serious

injuries or death to the child.

CAUTION

When you install a child restraint system, follow the manufacturer's instructions supplied with it. After installing the child restraint system, check to ensure that it is held securely in position. If it is not held tight and secure, the danger of your child suffering personal injury in the event of an accident may be increased.



1. Place the booster seat in the rear seating position and sit the child on it. The child should sit well back on the booster

seat.

2. Run the lap and shoulder belt through or around the booster seat and the child following the instructions provided by its manufacturer.

3. Insert the tongue plate into the buckle until you hear a click. Take care not to twist the seatbelt.

Make sure the shoulder belt is positioned across the center of child's shoulder and that the lap belt is positioned as low as possible on the child's hips.



4. To remove the booster seat, press the release button on the seatbelt buckle and allow the belt to retract.

**WARNING**

- Never use a belt that is twisted or reversed. In an accident, this can increase the risk or severity of injury to the child.
- Never place the shoulder belt under the child's arm or behind the child's back. If an accident occurs, this can increase the risk or severity of injury to the child.
- The seatbelt should fit snugly in order to provide full restraint. Loose fitting belts are not as effective in preventing or reducing injury.
- Place the lap belt as low as possible on the child's hips. A high-positioned lap belt will increase the risk of sliding under the lap belt and of the lap belt sliding up over the abdomen, and both can result in serious internal injury or death.
- Make sure the shoulder belt is positioned across the center of child's shoulder. Placing the shoulder belt over the neck may result in neck injury during sudden braking or in a collision.

■ Installation of child restraint systems by use of lower and tether anchorages (LATCH)

**WARNING**

- Child restraint systems and seatbelts can become hot in a vehicle that has been closed up in sunny weather; they could burn a small child. Check the child restraint system before you place a child in it.
- Do not leave an unsecured child restraint system in your vehicle. Unsecured child restraint systems can be thrown around inside of the vehicle in a sudden stop, turn or accident; they can strike and injure vehicle occupants as well as result in serious injuries or death to the child.

**CAUTION**

When you install a child restraint system, follow the manufacturer's instructions supplied with it. After installing the child restraint system, check to ensure that it is held securely in position. If it is not held

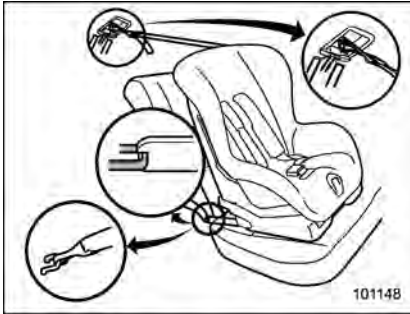
tight and secure, the danger of your child suffering personal injury in the event of an accident may be increased.

Some types of child restraint systems can be installed on the rear seat of your vehicle without use of the seatbelts. Such child restraint systems are secured to the designated anchorages provided on the vehicle body. The lower and tether anchorages are sometimes referred to as the LATCH system (Lower Anchors and Tethers for Children).

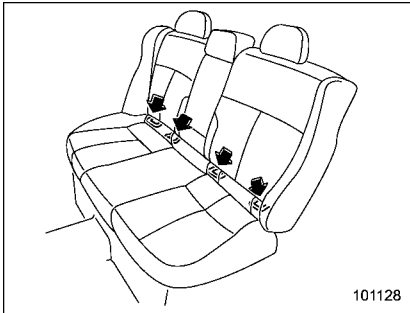


Anchor, Tether.
LATCH
The next generation
of child safety.

101210

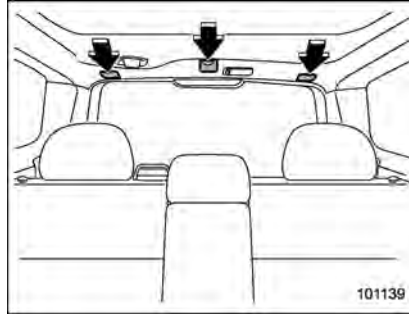


Your vehicle is equipped with four lower anchorages (bars) and three upper anchorages (tether anchorages) for accommodating such child restraint systems.



The lower anchorages (bars) are used for installing a child restraint system only on

the rear seat window-side seating positions. For each window-side seating position, two lower anchorages are provided. Each lower anchorage is located where the seat cushion meets the seatback.

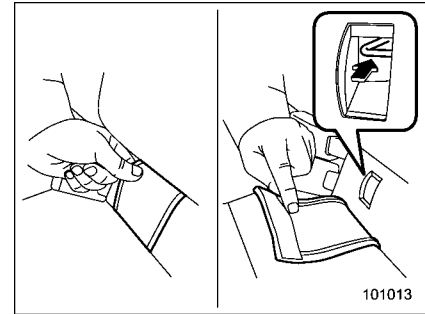


The tether anchorages (upper anchorages) are provided at the locations shown in the above illustration.



1) Cover

You will find marks "Ⓢ" on the cover at the bottom of the rear seat seatbacks. These marks indicate the positions of the lower anchorages (bars).

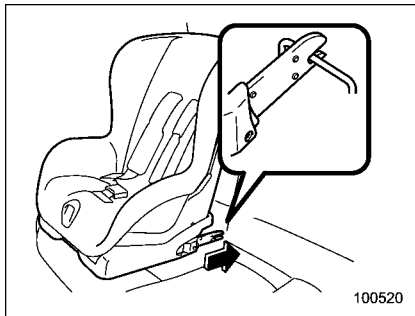


Each lower anchorage is located where

- CONTINUED -

the seat cushion meets the seatback.

1. Use the "Ⓢ" marks to locate the two lower anchorages (bars) for the position where you want to install the child restraint system.

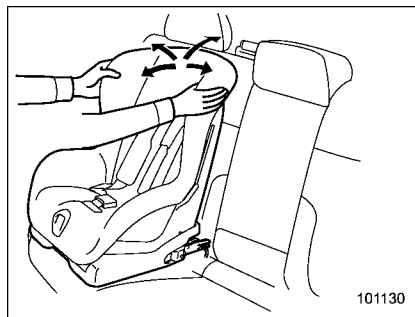


2. While following the instructions supplied by the child restraint system manufacturer, connect the lower hooks onto the lower anchorages located at "Ⓢ" marks on the bottom of the rear seatback. When the hooks are connected, make sure the adjacent seatbelts are not caught.



3. [If your child restraint system is of a flexible attachment type (which uses tether belts to connect the child restraint system properly to the lower anchorages)] While pushing the child restraint into the seat cushion, pull both left and right lower tether belts up to secure the child restraint system firmly by taking up the slack in the belt.

4. Connect the top tether hook to the tether anchorage and firmly tighten the tether. For information on how to set the top tether, refer to "Top tether anchorages" 1-33.



5. Before seating a child in the child restraint system, try to move seat back and forth and right and left to verify that it is held securely in position.

6. To remove the child restraint system, follow the reverse procedures of installation.

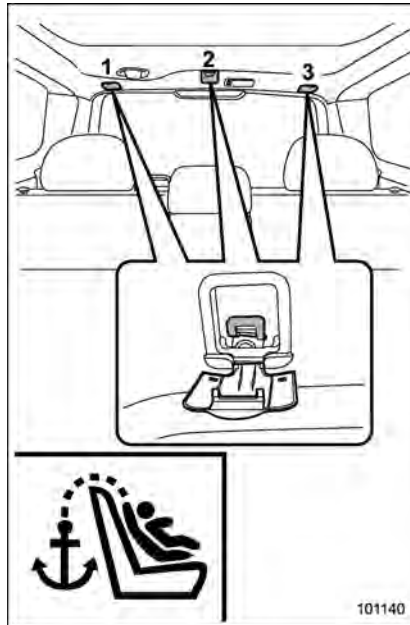
If you have any question concerning this type of child restraint system, ask your SUBARU dealer.

■ Top tether anchorages

Your vehicle is equipped with three top tether anchorages so that a child restraint system having a top tether can be installed in the rear seat. When installing a child restraint system using top tether, proceed as follows, while observing the instructions by the child restraint system manufacturer.

Since a top tether can provide additional stability by offering another connection between a child restraint system and the vehicle, we recommend that you use a top tether whenever one is required or available.

▼ Anchorage location

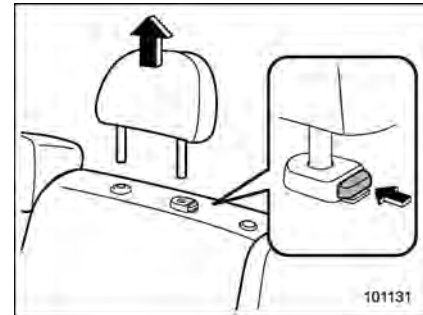


- 1) For right seat
- 2) For center seat
- 3) For left seat

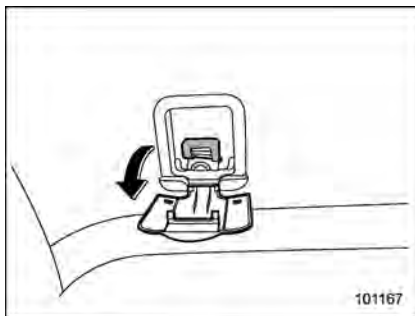
There are three anchorages for each seating position on the rear edge of the

roof.

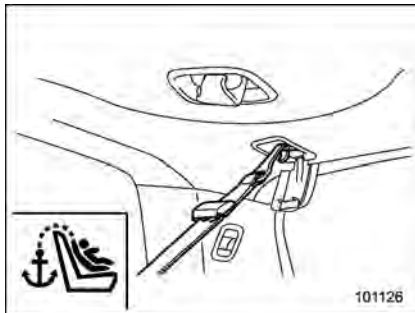
▼ To hook the top tether



1. Remove the headrest at the window-side seating position where the child restraint system has been installed using the lower anchorages or seatbelt; lift up the headrest while pressing the release button. Store the headrest in the cargo area. Avoid placing the headrest in the passenger compartment to prevent it from being thrown around in the passenger compartment in a sudden stop or a sharp turn.



2. For both window-side seating positions, remove the cover for the appropriate upper anchorage.



3. Attach the child restraint top tether hook to the appropriate upper anchorage.
4. Tighten the top tether securely.

Please contact your SUBARU dealer if you have any question regarding the installation of a child restraint system.

CAUTION

Always remove the headrest when mounting a child restraint system with a top tether. Otherwise, the top tether cannot be fastened tightly.

***SRS airbag (Supplemental Restraint System airbag)**

*SRS: This stands for supplemental restraint system. This name is used because the airbag system supplements the vehicle's seatbelts.

Your vehicle is equipped with a crash sensing and diagnostic module, which will record the use of the seatbelt by the front passenger when any of the SRS frontal, side and curtain airbags deploys.

■ Vehicles with SRS airbags and lap/shoulder restraints for driver, front passenger, and window-side rear passengers

Your vehicle is equipped with a supplemental restraint system in addition to a lap/shoulder belt at each front seating position and each rear window-side seating positions. The supplemental restraint system (SRS) consists of six airbags.

The configurations are as follows.

- Driver's and front passenger's **frontal** airbags
- Driver's and front passenger's **side** airbags
- **Curtain** airbags (for driver, front pas-

senger, and window-side rear passengers)

These SRS airbags are designed only as a supplement to the primary protection provided by the seatbelt.

The system also controls front seatbelt pretensioners. For operation instructions and precautions concerning the seatbelt pretensioner, refer to "Front seatbelt pretensioners" ¶ 1-20.

WARNING

- To obtain maximum protection in the event of an accident, the driver and all passengers in the vehicle should always wear seatbelts when the vehicle is moving. The SRS airbag is designed only as a supplement to the primary protection provided by the seatbelt. It does not do away with the need to fasten seatbelts. In combination with the seatbelts, it offers the best combined protection in case of a serious accident. Not wearing a seatbelt increases the chance of severe injury or death in a crash even when the vehicle has the SRS airbag. For instructions and precautions

concerning the seatbelt system, refer to "Seatbelts" ¶ 1-11.

- Do not sit or lean unnecessarily close to the SRS airbag. Because the SRS airbag deploys with considerable speed – faster than the blink of an eye – and force to protect in high speed collisions, the force of an airbag can injure an occupant whose body is too close to SRS airbag.

It is also important to wear your seatbelt to help avoid injuries that can result when the SRS airbag contacts an occupant not in proper position such as one thrown forward during pre-accident braking.

Even when properly positioned, there remains a possibility that an occupant may suffer minor injury such as abrasions and bruises to the face or arms because of the SRS airbag deployment force.

- The SRS airbags deploy with considerable speed and force. Occupants who are out of proper position when the SRS airbag deploys could suffer very serious injuries. Because the SRS airbag

needs enough space for deployment, the driver should always sit upright and well back in the seat as far from the steering wheel as practical while still maintaining full vehicle control and the front passenger should move the seat as far back as possible and sit upright and well back in the seat.

- Do not place any objects over or near the SRS airbag cover or between you and the SRS airbag. If the SRS airbag deploys, those objects could interfere with its proper operation and could be propelled inside the vehicle and cause injury.



100082



WARNING

- Put children aged 12 and under in the rear seat properly restrained at all times. The SRS airbag deploys with considerable speed and force and can injure or even kill children, especially if they are 12 years of age and under and are not restrained or improperly restrained. Because children are lighter and weaker than adults, their risk of being injured from deployment is greater.

For that reason, we strongly recommend that ALL children (including those in child seats and those that have outgrown child restraint devices) sit in the REAR seat properly restrained at all times in a child restraint device or in a seatbelt, whichever is appropriate for the child's age, height and weight.

Secure ALL types of child restraint devices (including forward facing child seats) in the REAR seats at all times.

According to accident statistics, children are safer when properly restrained in the rear seating

positions than in the front seating positions.

For instructions and precautions concerning the child restraint system, refer to "Child restraint systems" 1-23.

- NEVER INSTALL A REARWARD FACING CHILD SEAT IN THE FRONT SEAT. DOING SO RISKS SERIOUS INJURY OR DEATH TO THE CHILD BY PLACING THE CHILD'S HEAD TOO CLOSE TO THE SRS AIRBAG.
- Never allow a child to stand up, or to kneel on the front passenger's seat, or never hold a child on your lap or in your arms. The SRS airbag deploys with considerable force and can injure or even kill the child.



CAUTION

- When the SRS airbag deploys, some smoke will be released. This smoke could cause breathing problems for people with a history of asthma or other breathing trouble. If you or your passengers have breathing problems after SRS airbag deploys,

get fresh air promptly.

- A deploying SRS airbag releases hot gas. Occupants could get burned if they come into direct contact with the hot gas.

NOTE

When you sell your vehicle, we urge you to explain to the buyer that it is equipped with SRS airbags by alerting him or her to the applicable section in this Owner's Manual.

■ SUBARU advanced frontal airbag system

Your vehicle is equipped with a SUBARU advanced frontal airbag system that complies with the new advanced frontal airbag requirements in the amended Federal Motor Vehicle Safety Standard (FMVSS) No. 208.

The SUBARU advanced frontal airbag system automatically determines the deployment force of the driver's SRS frontal airbag at the time of deployment as well as whether or not to activate the front passenger's SRS frontal airbag and, if activated, the deployment force of the SRS frontal airbag at the time of deployment.

Your vehicle has warning labels on the driver's and front passenger's sun visors beginning with the phrase "EVEN WITH ADVANCED AIR BAGS" and a tag attached to the glove box lid beginning with the phrase "Even with Advanced Air Bags". Make sure that you carefully read the instructions on the warning labels and tag.

Always wear your seatbelt. The SUBARU advanced frontal airbag system is a supplemental restraint system and must be used in combination with a seatbelt. All occupants should wear a seatbelt or be seated in an appropriate child restraint

system.

The driver's SRS frontal airbag is stowed in the center portion of the steering wheel. The front passenger's SRS frontal airbag is stowed near the top of the dashboard under an "SRS AIRBAG" mark.

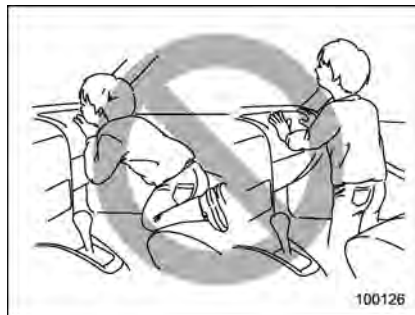
In a moderate to severe frontal collision, the driver's and front passenger's SRS frontal airbags deploy and supplement the seatbelts by reducing the impact on the driver's and front passenger's head and chest.



WARNING

NEVER INSTALL A REARWARD FACING CHILD SEAT IN THE FRONT SEAT. DOING SO RISKS SERIOUS INJURY OR DEATH TO THE CHILD

BY PLACING THE CHILD'S HEAD TOO CLOSE TO THE SRS AIRBAG.



WARNING

Never allow a child to stand up, or to kneel on the front passenger's seat. The SRS airbag deploys with considerable force and can injure or even kill the child.



⚠ WARNING

Never hold a child on your lap or in your arms. The SRS airbag deploys with considerable force and can injure or even kill the child.

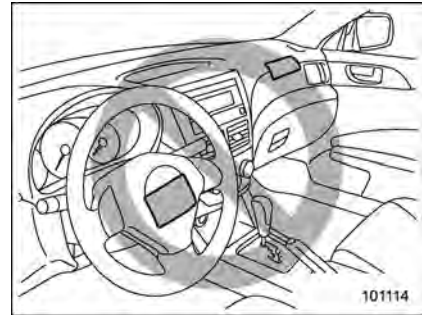


⚠ WARNING

The SRS airbag deploys with considerable speed and force. Occupants who are out of proper position when the SRS airbag deploys could suffer very serious injuries. Because the SRS airbag needs enough space for deployment, the driver should always sit upright and well back in the seat as far from the steering wheel as practical while still maintaining full vehicle control and the front passenger should move the seat as far back as possible and sit upright and well back in the seat.

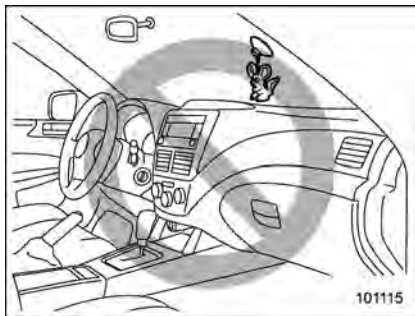
It is also important to wear your

seatbelt to help avoid injuries that can result when the SRS airbag contacts an occupant not in proper position such as one thrown toward the front of the vehicle during pre-accident braking.



⚠ WARNING

Do not put any objects over the steering wheel pad and dashboard. If the SRS frontal airbag deploys, those objects could interfere with its proper operation and could be propelled inside the vehicle and cause injury.



WARNING

Do not attach accessories to the windshield, or fit an extra-wide mirror over the rear view mirror. If the SRS airbag deploys, those objects could become projectiles that could seriously injure vehicle occupants.

▼ **Driver's SRS frontal airbag**

The driver's SRS frontal airbag uses a dual stage inflator. The inflator operates in different ways depending on the severity of impact.

Have the system inspected by your SUBARU dealer immediately if the SRS airbag system warning light illuminates.

NOTE

The driver's SRS side airbag, SRS curtain airbag and seatbelt pretensioner are not controlled by the SUBARU advanced frontal airbag system.

▼ **Front passenger's SRS frontal airbag**

The front passenger's SRS frontal airbag uses a dual stage inflator. The inflator operates in different ways depending on the severity of impact.

The total load on the seat is monitored by the occupant detection system's weight sensor located under the seat.

The system has another sensor that monitors the tension of the front passenger seatbelt. Using the total seat load and seatbelt tension data from the sensors, the occupant detection system determines whether the front passenger's SRS frontal airbag should or should not be inflated.

The occupant detection system may not inflate the front passenger's SRS frontal airbag even when the driver's SRS frontal airbag deploys. This is normal.

Observe the following precautions. Failure to do so may prevent the SUBARU advanced frontal airbag system from functioning correctly or cause the system to fail.

- Do not apply any strong impact to the front passenger's seat such as by kicking.
- Do not spill liquid on the front passenger's seat. If liquid is spilled, wipe it off immediately.
- Do not remove or disassemble the front passenger's seat.
- Do not install any accessory (such as an audio amplifier) other than a genuine SUBARU accessory under the front passenger's seat.
- Do not place anything (shoes, umbrella, etc.) under the front passenger's seat.
- The front passenger's seat must not be used with the head restraint removed.
- Do not leave any article including a child restraint system on the front passenger's seat or the seatbelt tongue and buckle engaged when you leave your vehicle.
- Do not place a magnet near the seatbelt buckle and the seatbelt retractor.
- Do not use front seats with their backward-forward position and seatback not being locked into place securely. If any of them are not locked securely, adjust them again. For the adjustment procedure of the manual seats, refer to "Manual seat" 1-3.

If the seatbelt buckle switch and/or front passenger's occupant detection system

have failed, the SRS airbag system warning light will illuminate. Have the system inspected by your SUBARU dealer immediately if the SRS airbag system warning light illuminates.


If your vehicle has sustained impact, this may affect the proper function of the SUBARU advanced frontal airbag system. Have your vehicle inspected at your SUBARU dealer.



NOTE

The front passenger's SRS side airbag, SRS curtain airbag and seatbelt pretensioner are not controlled by the SUBARU advanced frontal airbag system.

▼ Passenger's frontal airbag ON and OFF indicators



ON or  : Front passenger's frontal airbag ON indicator

 or  : Front passenger's frontal airbag OFF indicator

The front passenger's frontal airbag ON and OFF indicators show you the status of the front passenger's SRS frontal airbag. The indicators are located next to the clock in the center portion of the dashboard.

When the ignition switch is turned to the "ON" position, both the ON and OFF indicators illuminate for 6 seconds during which time the system is checked. Following the system check, both indicators turn off for 2 seconds. After that, one of the indicators illuminates depending on the

status of the front passenger's SRS frontal airbag determined by the SUBARU advanced frontal airbag system monitoring.

If the front passenger's SRS frontal airbag is activated, the passenger's frontal airbag ON indicator will illuminate while the OFF indicator will remain off.

If the front passenger's SRS frontal airbag is deactivated, the passenger's frontal airbag ON indicator will remain off while the OFF indicator will illuminate.

With the ignition switch turned to the "ON" position, if both the ON and OFF indicators remain illuminated or off simultaneously even after the system check period, the system is faulty. Contact your SUBARU dealer immediately for an inspection.

▼ Conditions in which front passenger's SRS frontal airbag is not activated

The front passenger's SRS frontal airbag will not be activated when any of the following conditions are met regarding the front passenger's seat:

- The seat is empty.
- The seat is equipped with a rearward facing child restraint system and an infant is restrained with it. (See WARNING that follows.)
- The seat is equipped with a forward

facing child restraint system and a small child is restrained with it. (See WARNING that follows.)

- The seat is equipped with a booster seat and a small child is in the booster seat. (See WARNING that follows.)
- The seat is relieved of the occupant load for a time exceeding the predetermined monitoring time period.
- The seat is occupied by a child who has outgrown a child restraint system or by a small adult. (See WARNING that follows.)
- The front passenger's occupant detection system is faulty.



WARNING

NEVER INSTALL A REARWARD FACING CHILD SEAT IN THE FRONT PASSENGER'S SEAT EVEN IF THE FRONT PASSENGER'S SRS FRONTAL AIRBAG IS DEACTIVATED. Be sure to install it in the REAR seat in a correct manner. Also, it is strongly recommended that any forward facing child seat or booster seat be installed in the REAR seat, and that even children who have outgrown a child restraint system be also seated in the REAR seat. This is because children sitting in the front

passenger's seat may be killed or severely injured should the front passenger's SRS frontal airbag deploy. REAR seats are the safest place for children.

When the front passenger's seat is occupied by a child, observe the following precautions. Failure to do so may increase the load on the front passenger's seat, activating the front passenger's SRS frontal airbag even though that seat is occupied by a child.

- Do not place any article on the seat other than the child occupant and a child restraint system.
- Do not place more than one child on the seat.
- Do not install any accessory such as a table or TV onto the seatback.
- Do not store a heavy load in the seatback pocket.
- Do not allow the rear seat occupant to place his/her hands or legs on the front passenger's seatback, or allow him/her to pull the seatback.

▽ **If the front passenger's frontal airbag ON indicator illuminates and the OFF indicator turns off even when an infant or a small child is in a child restraint system (including booster seat)**

Turn the ignition switch to the "LOCK" position if the front passenger's frontal airbag ON indicator illuminates and the OFF indicator turns off even when an infant or a small child is in a child restraint system (including booster seat). Remove the child restraint system from the seat. By referring to the child restraint manufacturer's recommendations as well as the child restraint system installation procedures in "Child restraint systems" ¶ 1-23, correctly install the child restraint system. Turn the ignition switch to the "ON" position and make sure that the front passenger's frontal airbag ON indicator turns off and the OFF indicator illuminates.

If the ON indicator still remains illuminated while the OFF indicator turns off, take the following actions.

- Ensure that no article is placed on the seat other than the child restraint system and the child occupant.
- Ensure that there is no article left in the seatback pocket.
- Ensure that the backward-forward po-

sition and seatback of front passenger's seat are locked into place securely by moving the seat back and forth.

If the ON indicator still remains illuminated while the OFF indicator turns off after taking relevant corrective actions described above, relocate the child restraint system to the rear seat and immediately contact your SUBARU dealer for an inspection.

NOTE

When a child who has outgrown a child restraint system or a small adult is seated in the front passenger's seat, the SUBARU advanced frontal airbag system may or may not activate the front passenger's SRS frontal airbag depending on the occupant's seating posture. If the front passenger's SRS frontal airbag is activated (the ON indicator remains illuminated while the OFF indicator turns off), take the following actions.

- Ensure that no article is placed on the seat other than the occupant.
- Ensure that there is no article left in the seatback pocket.

If the ON indicator still remains illuminated while the OFF indicator turns off despite the fact that the actions noted

above have been taken, seat the child/small adult in the rear seat and immediately contact your SUBARU dealer for an inspection. Even if the system has passed the dealer inspection, it is recommended that on subsequent trips the child/small adult always take the rear seat.

Children who have outgrown a child restraint system should always wear the seatbelt irrespective of whether the airbag is deactivated or activated.

▼ Conditions in which front passenger's SRS frontal airbag is activated

The front passenger's SRS frontal airbag will be activated for deployment upon impact when any of the following conditions are met regarding the front passenger's seat.

- When the seat is occupied by an adult.
- When a heavy article is placed on the seat.

When the front passenger's seat is occupied by an adult, observe the following precautions. Failure to do so may lessen the load on the front passenger's seat, deactivating the front passenger's SRS frontal airbag despite the fact that the seat is occupied by an adult.

- Do not allow the rear seat occupant to

lift the front passenger's seat cushion using his/her feet.

- Do not place any article under the front passenger's seat, or squeeze any article from behind and under the seat. This may lift the seat cushion.
- Do not squeeze any article between the front passenger's seat and side trim/pillar, door or center console box. This may lift the seat cushion.

▽ If the passenger's frontal airbag OFF indicator illuminates and the ON indicator turns off even when the front passenger's seat is occupied by an adult

This can be caused by the adult incorrectly sitting in the front passenger's seat. Turn the ignition switch to the "LOCK" position. Ask the front passenger to set the seatback to the upright position, sit up straight in the center of the seat cushion, correctly fasten the seatbelt, position his/her legs out forward, and adjust the seat to the rearmost position. Turn the ignition switch to the "ON" position. If the OFF indicator remains illuminated while the ON indicator remains off, take the following actions.

- Turn the ignition switch to the "LOCK" position.
- Ensure that there are no articles,

books, shoes, or other objects trapped under the seat, at the rear of the seat, or on the side of the seat.

- Ensure that the backward-forward position and seatback of front passenger's seat are locked into place securely by moving the seat back and forth.
- Next, turn the ignition switch to the "ON" position and wait 6 seconds to allow the system to complete self-checking. Following the system check, both indicators turn off for 2 seconds. Now, the ON indicator should illuminate while the OFF indicator remains off.

If the OFF indicator still remains illuminated while the ON indicator remains off, ask the occupant to move to the rear seat and immediately contact your SUBARU dealer for an inspection.

▼ Effect vehicle modifications made for persons with disabilities may have on SUBARU advanced frontal airbag system operation (U.S. only)

Changing or moving any parts of the front seats, rear seat, seatbelts, front bumper, front side frame, radiator panel, instrument panel, combination meter, steering wheel, steering column, tire, suspension or floor panel can affect the operation of the SUBARU advanced airbag system. If you have any questions, you may contact

the following SUBARU distributors.

<Continental U.S., Alaska and the District of Columbia>

Subaru of America, Inc.
Customer Dealer Services Department
P.O. Box 6000
Cherry Hill, NJ 08034-6000
1-800-SUBARU3 (1-800-782-2783)

<Hawaii>

Servco Subaru Inc., dba Subaru Hawaii
2850 Pukoloa Street, Suite 202, Honolulu, HI 96819
808-839-2273

<Guam>

Shen's Corporation dba Prestige Automobile
491, East Marine Drive, Route 1 Dededo, Guam
671-633-2698

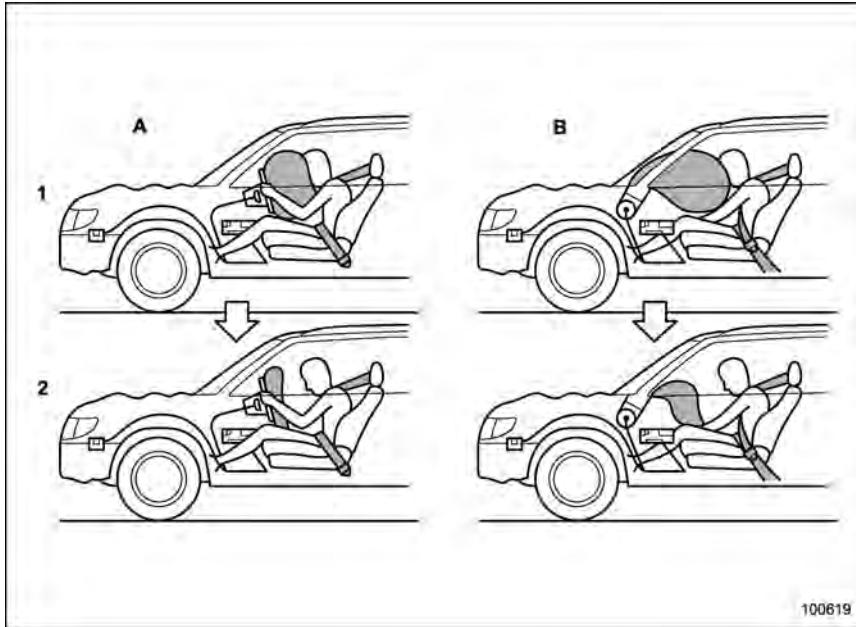
<Puerto Rico>

Trebol Motors
P.O. Box 11204, San Juan, Puerto Rico 00910
787-793-2828

There are currently no SUBARU distributors in any other U.S. territories. If you are in such an area, please contact the SUBARU distributor or dealer from which

you bought your vehicle.

▼ Operation



A) Driver's side

B) Passenger's side

1) SRS AIRBAGs deploy as soon as a collision occurs.

2) After deployment, SRS AIRBAGs start to deflate immediately so that the driver's vision is not obstructed.

The SRS airbag can function only when the ignition switch is in the "ON" position. The SUBARU advanced frontal airbag system is designed to determine the activation or deactivation condition of the front passenger's SRS frontal airbag depending on the total load on the front passenger's seat monitored by the front passenger's occupant detection system weight sensor. For this reason, only the driver's SRS frontal airbag may deploy in the event of a collision, but this does not mean failure of the system.

If the front sub sensors and the impact sensors in the airbag control module detect a predetermined amount of force during a frontal collision, the control module sends signals to the airbag module(s) (only driver's module or both driver's and front passenger's modules) instructing the module(s) to inflate the SRS frontal airbag(s). The driver's and front passenger's SRS frontal airbags use dual stage inflators.

The two inflators of each airbag are triggered either sequentially or simultaneously, depending on the severity of impact, in the case of the driver's SRS frontal airbag and depending on the severity of impact and the total load on the seat in the case of the front passenger's SRS frontal airbag. After deployment, the SRS airbag immediately starts to deflate so that the driver's vision is not obstructed. The time required from detecting impact to the deflation of the SRS airbag after deployment is shorter than the blink of an eye.

Both when only the driver's SRS frontal airbag deploys and the driver's and front passenger's SRS frontal airbags deploy, the driver's and front passenger's seatbelt pretensioners operate at the same time.

Although it is highly unlikely that the SRS airbag would activate in a non-accident situation, should it occur, the SRS airbag will deflate quickly, not obscuring vision and will not interfere with the driver's ability to maintain control of the vehicle.

When the SRS airbag deploys, a sudden, fairly loud inflation noise will be heard and some smoke will be released. These occurrences are a normal result of the deployment. This smoke does not indicate a fire in the vehicle.

CAUTION

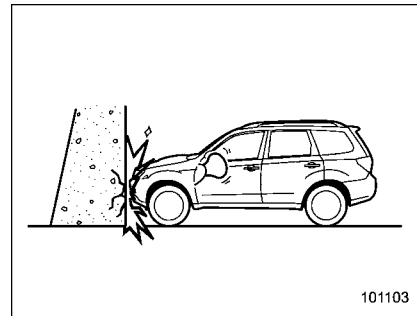
Do not touch the SRS airbag system components around the steering wheel and dashboard with bare hands right after deployment. Doing so can cause burns because the components can be very hot as a result of deployment.

The driver's SRS frontal airbag and front passenger's SRS frontal airbag are designed to deploy in the event of an accident involving a moderate to severe frontal collision. It is basically not designed to deploy in lesser frontal impacts because the necessary protection can be achieved by the seatbelt alone. Also, they are basically not designed to deploy in side or rear impacts or in roll-over accidents because deployment of only the driver's SRS frontal airbag or both driver's and front passenger's SRS frontal airbags would not help the occupant in those situations. The driver's and front passenger's SRS frontal airbags are designed to function on a one-time-only basis.

SRS airbag deployment depends on the level of force experienced in the passenger compartment during a collision. That level differs from one type of collision to another, and it may have no bearing on

the visible damage done to the vehicle itself.

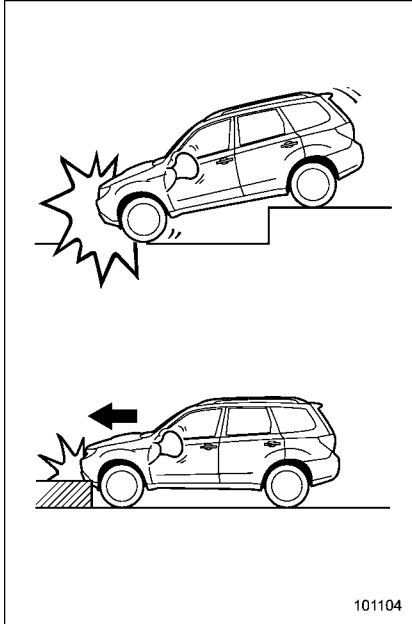
- ▽ **Example of accident in which the driver's/driver's and front passenger's SRS frontal airbag(s) will most likely deploy.**



101103

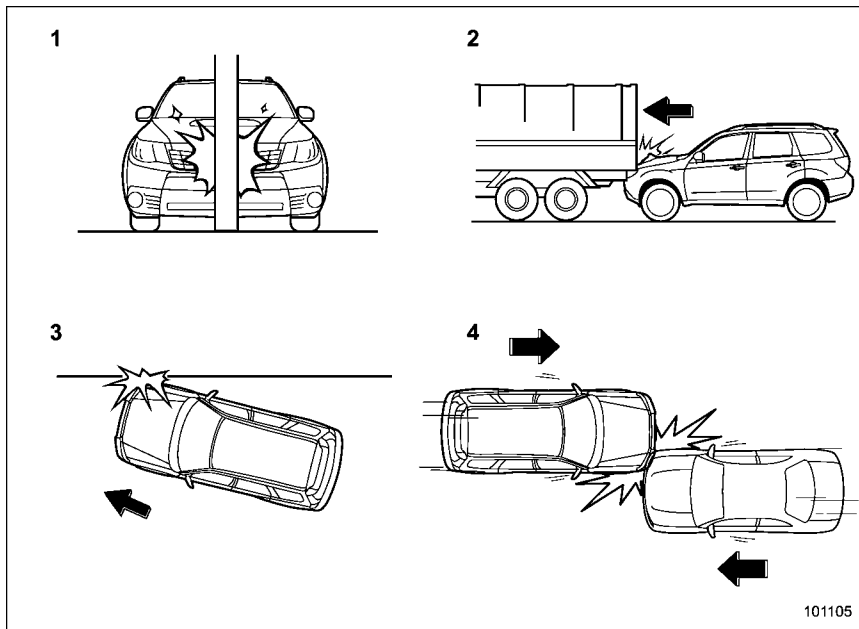
A head-on collision against a thick concrete wall at a vehicle speed of 12 to 19 mph (20 to 30 km/h) or higher activates only the driver's SRS frontal airbag or both driver's and front passenger's SRS frontal airbags. The airbag(s) will also be activated when the vehicle is exposed to a frontal impact similar in fashion and magnitude to the collision described above.

- ▽ **Examples of the types of accidents in which it is possible that the driver's/driver's and front passenger's SRS frontal airbag(s) will deploy.**



Only the driver's SRS frontal airbag or both driver's and front passenger's SRS frontal airbags may be activated when the vehicle sustains a hard impact in the undercarriage area from the road surface (such as when the vehicle plunges into a deep ditch, is severely impacted or knocked hard against an obstacle on the road such as a curb).

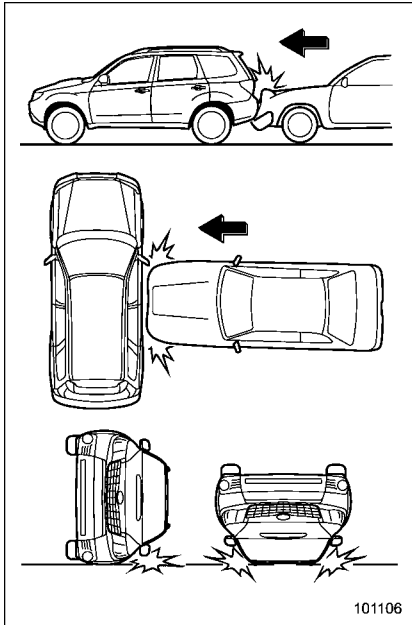
▽ Examples of the types of accidents in which deployment of the driver's/driver's and front passenger's SRS frontal airbag(s) is unlikely to occur.



- 1) The vehicle strikes an object, such as a telephone pole or sign pole.
- 2) The vehicle slides under the load bed of a truck.
- 3) The vehicle sustains an oblique offset frontal impact.
- 4) The vehicle sustains an offset frontal collision.

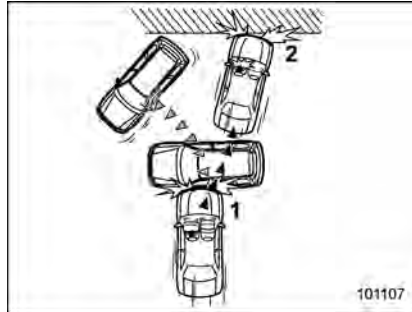
There are many types of collisions which might not necessarily require deployment of driver's/driver's and front passenger's SRS frontal airbag(s). In the event of accidents like those illustrated, the driver's/driver's and front passenger's SRS frontal airbag(s) may not deploy depending on the level of accident forces involved.

- ▽ **Examples of the types of accidents in which the driver's/driver's and front passenger's SRS frontal airbag(s) will basically not deploy.**



The driver's and front passenger's SRS frontal airbags are designed basically not

to deploy if the vehicle is struck from the side or from behind, or if it rolls onto its side or roof, or if it is involved in a low-speed frontal collision.



- 1) First impact
- 2) Second impact

In an accident where the vehicle is impacted more than once, the driver's and/or front passenger's SRS frontal airbag(s) will deploy only once on the first impact.

Example: In the case of a double collision, first with another vehicle, then against a concrete wall in immediate succession, once either or both of the driver's and front passenger's SRS frontal airbags is/are activated on the first impact, it/they will not be activated on the second impact.

■ SRS side airbag and SRS curtain airbag

The SRS side airbag is stored in the door side of each front seat seatback, which bears an "SRS AIRBAG" label.

In a moderate to severe side impact collision, the SRS side airbag on the impacted side of the vehicle deploys between the occupant and the door panel and supplements the seatbelt by reducing the impact on the occupant's chest and waist. The SRS side airbag operates only for front seat occupants.

The SRS curtain airbag on each side of the cabin is stored in the roof side (between the front pillar and a point over the rear seat). An "SRS AIRBAG" mark is located at the top of each center pillar.

In a moderate to severe side impact collision, the SRS curtain airbag on the impacted side of the vehicle deploys between the occupant and the side window and supplements the seatbelt by reducing the impact on the occupant's head.

In a rollover, SRS curtain airbags on both sides of the vehicle deploy between the occupant and the side window and supplement the seatbelt by reducing the impact to the occupant's head.

 **WARNING**

The SRS side airbag and SRS curtain airbag are designed as only a supplement to the primary protection provided by the seatbelt. They do not do away with the need to fasten seatbelts. It is also important to wear your seatbelt to help avoid injuries that can result when an occupant is not seated in a proper upright position.



 **WARNING**

- Do not sit or lean unnecessarily close to either front door. The SRS side airbag is stored in both front seat seatbacks next to the

door, and it provides protection by deploying rapidly (faster than the blink of an eye) in the event of a side impact collision. However, the force of SRS side airbag deployment may cause injuries if your head or other parts of the body are too close to the SRS side airbag.

- Since your vehicle is equipped with SRS curtain airbags, do not sit or lean unnecessarily close to the front or rear door on either side. Also, do not put your head, arms and hands out of the window. The SRS curtain airbag on each side of the cabin is stored in the roof side (between the front pillar and a point over the rear seat), and it provides protection by deploying rapidly (faster than the blink of an eye) in the event of a side impact or a rollover. However, the force of its deployment may cause injuries if your head is too close to it.



 **WARNING**

Do not rest your arm on either front door or its internal trim. It could be injured in the event of SRS side airbag deployment.



▲ WARNING

- Never allow a child to kneel on the front passenger's seat facing the side window or to wrap his/her arms around the front seat seatback. In the event of an accident, the force of the SRS side airbag deployment could injure the child seriously because his/her head or arms or other parts of the body are too close to the SRS side airbag.

Since your vehicle is also equipped with a front passenger's SRS frontal airbag, children aged 12 and under should be placed in the rear seat anyway and should be properly restrained at all times.

- Never allow a child to kneel on any passenger's seat facing the side window or put their head, arms and hands out of the window. In the event of an accident, the force of the SRS curtain airbag deployment could injure the child seriously because his/her head is close to the SRS curtain airbag.

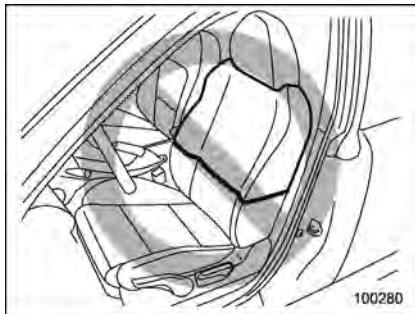


▲ WARNING

- Do not attach accessories to the door trim or near either SRS side airbags and do not place objects near the SRS side airbags. In the event of the SRS side airbag deployment, they could be propelled dangerously toward the vehicle's occupants and cause injuries.
- Do not attach a hands-free microphone or any other accessory to a front pillar, a center pillar, a rear pillar, the windshield, a side window, an assist grip, or any other cabin surface that would be near a deploying SRS curtain airbag.

A hands-free microphone or other accessory in such a location could be propelled through the cabin with great force by the curtain airbag, or it could prevent correct deployment of the curtain airbag. In either case, the result could be serious injuries.

- Never hang or place coat hangers or other hard or pointed objects near the side windows. If such items are present when the SRS curtain airbags deploy, they could be thrown through the passenger compartment and cause serious injuries. They could also prevent proper operation of the SRS curtain airbags.



⚠ WARNING

Do not put any kind of cover or clothes or other objects over either front seatback and do not attach labels or stickers to the front seat surface on or near the SRS side airbag. They could prevent proper deployment of the SRS side airbag, reducing protection available to the front seat's occupant.

▼ Operation



The SRS side airbag and SRS curtain airbag can function only when the ignition switch is in the "ON" position.

The driver's and front passenger's SRS side airbags and SRS curtain airbags

deploy independently of each other since each has its own impact sensor. Therefore, they may not both deploy in the same accident. Also, the SRS side airbag and SRS curtain airbag deploys independently of the driver's and front passenger's SRS frontal airbags in the steering wheel and instrument panel.

An impact sensor, which senses impact force, is located in each of the left and right center pillars and rear wheel houses. Another impact sensor, which also senses impact force, is located under the rear center seat. In addition, a rollover sensor is located inside the airbag control module. If one of the center pillar impact sensors and the impact sensor that is located under the rear center seat together sense an impact force above a predetermined level in a side collision, the control module causes both the SRS side airbag and curtain airbag on the impacted side to inflate regardless of whether the rear wheel house impact sensor on the same side senses an impact. If one of the rear wheel house impact sensors and the impact sensor that is located under the rear center seat together sense a sufficiently strong impact force, the control module causes only the SRS curtain airbag on the impacted side to inflate. If the rollover sensor detects rollover of the

vehicle, the control module inflates the curtain airbags. After the deployment, the SRS side airbag immediately starts to deflate. The time required from detection of an impact to deflation of an SRS side airbag after deployment is shorter than the blink of an eye.

The SRS curtain airbags remain inflated for a while following deployment then slowly deflates.

The SRS side airbag and SRS curtain airbags deploy even when no one occupies the seat on the side on which an impact is applied.

When the SRS side airbag and SRS curtain airbags deploy, a sudden, fairly loud inflation noise will be heard and some smoke will be released. These occurrences are a normal result of the deployment. This smoke does not indicate a fire in the vehicle.

CAUTION

Do not touch the SRS side airbag system components around the front seat seatback with bare hands right after deployment. Doing so can cause burns because the components can be very hot as a result of deployment.

After deployment, do not touch any part of the SRS curtain airbag system (from the front pillar to the part of the roof side over the rear seat). Doing so can cause burns because the components can be very hot as a result of deployment.

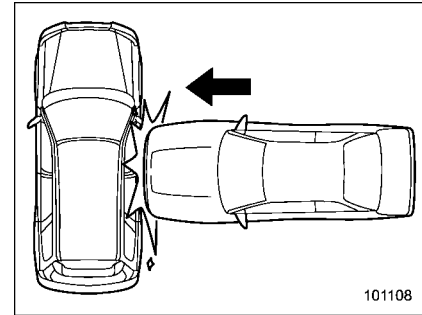
The SRS side airbag and SRS curtain airbags are designed to deploy in the event of an accident involving a moderate to severe side impact collision. Also, in the case of a rollover, the SRS curtain airbags deploy. They are basically not designed to deploy in a lesser side impact. Also, they are basically not designed to deploy in frontal or rear impacts because SRS side airbag and SRS curtain airbag deployment would not help the occupant in those situations.

Each SRS side airbag and SRS curtain airbags are designed to function on a one-time-only basis.

SRS side airbag and SRS curtain airbag deployment depend on the level of force experienced in the passenger compartment during a side impact collision. That level differs from one type of collision to another, and it may have no bearing on the visible damage done to the vehicle itself. Also, the SRS curtain airbags deploy depending on the vehicle's position

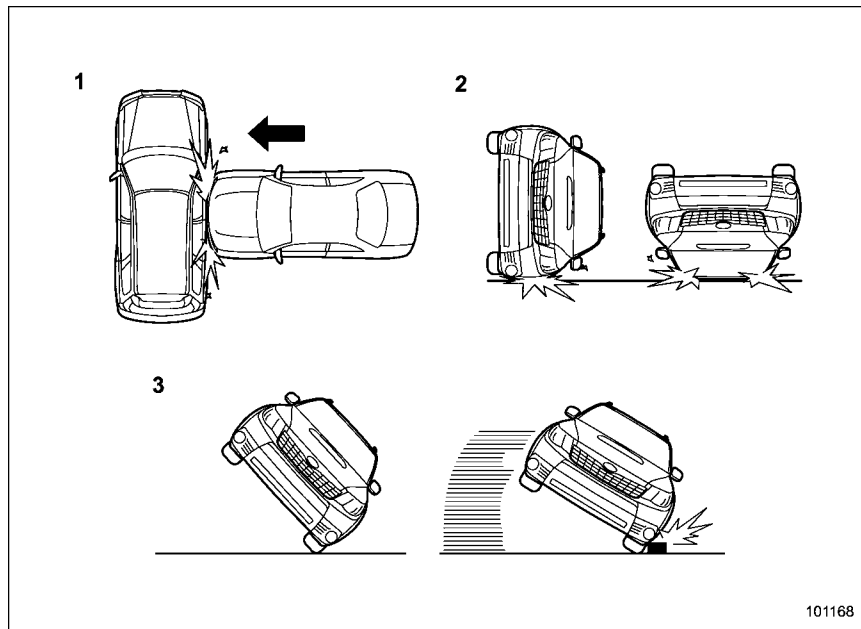
and inclination at the time of the rollover.

▽ **Example of the type of accident in which the SRS side airbag will most likely deploy.**



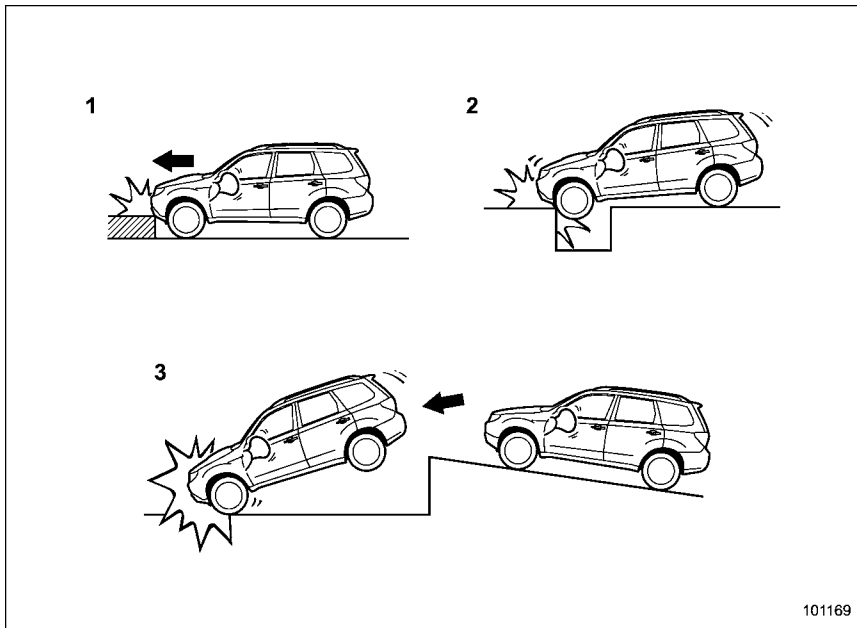
A severe side impact near the front seat activates the SRS side airbag and SRS curtain airbag.

▽ **Examples of the types of accidents in which the SRS curtain airbag will most likely deploy.**



- 1) A severe side impact near the front seat or the rear seat activates the SRS curtain airbag.
- 2) The vehicle rolls onto its side or the roof.
- 3) If the angle of vehicle tip-up is marginal or if the skidding vehicle's tires hit a curbstone laterally.

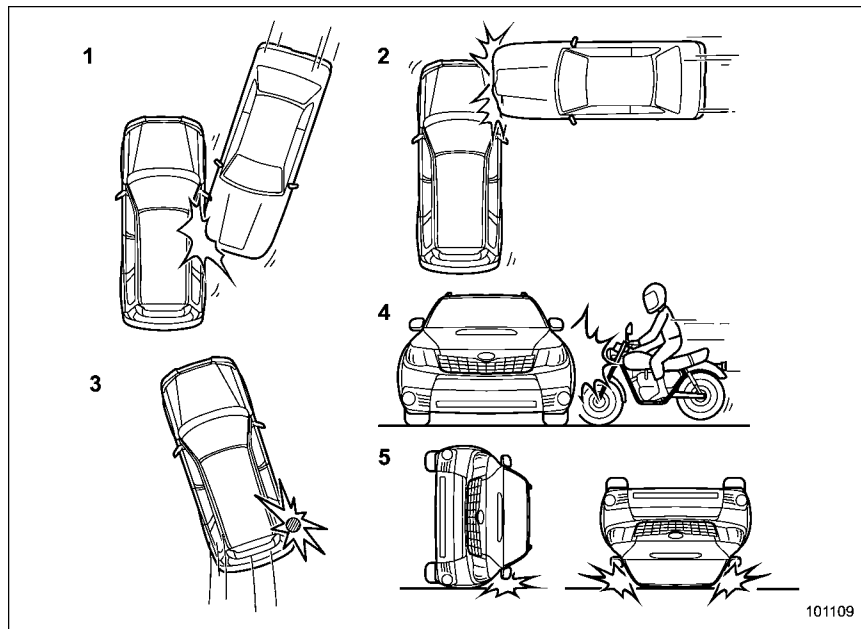
- ▽ **Examples of the types of accidents in which it is possible that the SRS side airbag and the SRS curtain airbag will deploy.**



- 1) Hitting a curb, edge of pavement or hard surface
- 2) Falling into or jumping over a deep hole
- 3) Landing hard or vehicle falling

It is possible that the SRS side and curtain airbags will deploy if a serious impact occurs to the underside of your vehicle. Some examples are shown in the illustration.

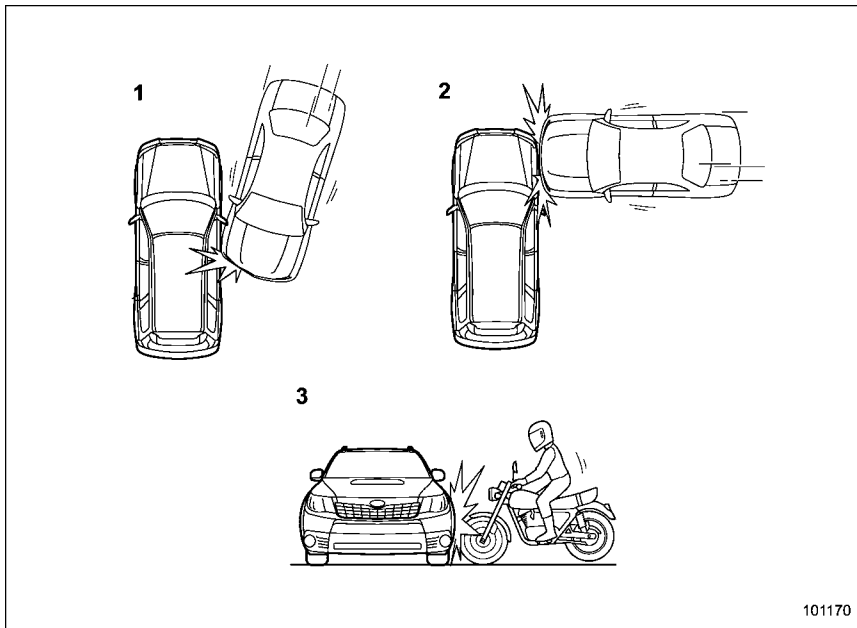
▽ Examples of the types of accidents in which the SRS side airbag is unlikely to deploy.



- 1) The vehicle is involved in an oblique side-on impact.
- 2) The vehicle is involved in a side-on impact in an area outside the vicinity of the passenger compartment.
- 3) The vehicle strikes a telephone pole or similar object.
- 4) The vehicle is involved in a side-on impact from a motorcycle.
- 5) The vehicle rolls onto its side or roof.

There are many types of collisions which might not necessarily require SRS side airbag deployment. In the event of accidents like those illustrated, the SRS side airbag may not deploy depending on the level of accident forces involved.

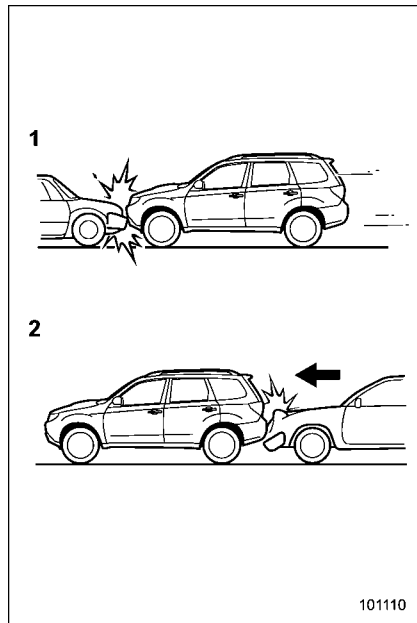
▽ **Examples of the types of accidents in which the SRS curtain airbag is unlikely to deploy.**



- 1) The vehicle is involved in an oblique side-on impact.
- 2) The vehicle is involved in a side-on impact in an area outside the vicinity of the passenger compartment.
- 3) The vehicle is involved in a side-on impact from a motorcycle.

There are many types of collisions which might not necessarily require SRS curtain airbag deployment. In the event of accidents like those illustrated, the SRS curtain airbag may not deploy depending on the level of accident forces involved.

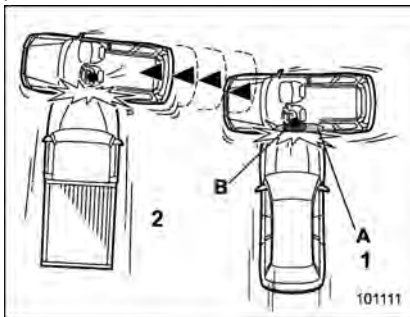
▽ **Examples of the types of accidents in which the SRS side airbag and SRS curtain airbag will basically not deploy.**



- 1) The vehicle is involved in frontal collision with another vehicle (moving or stationary).

- 2) The vehicle is struck from behind.

The SRS side airbag and SRS curtain airbag are basically not designed to deploy if the vehicle is involved in a frontal collision or is struck from behind. Examples of such accidents are illustrated.



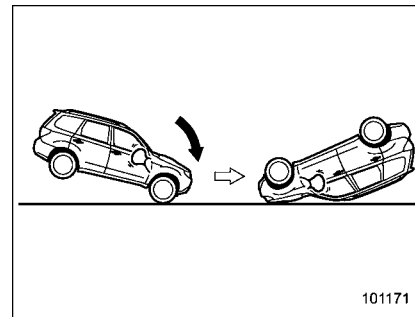
- 1) First impact
- 2) Second impact
- A) SRS curtain airbag
- B) SRS side airbag

In an accident where the vehicle is struck from the side more than once, the SRS side airbag and SRS curtain airbag deploy only once on the first impact.

Example: In the case of a double side impact collision, first with one vehicle and immediately followed by another from the same direction, once the SRS side airbag

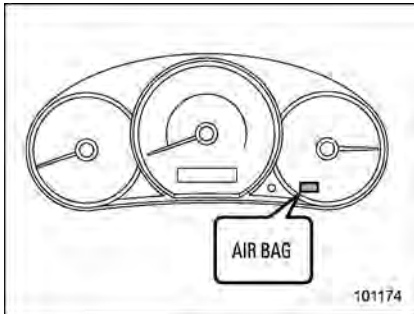
and SRS curtain airbag are activated on the first impact, they will not be activated on the second.

▽ **Example of the type of accident in which the SRS curtain airbag will basically not deploy.**



The SRS curtain airbags are not basically designed to deploy if the vehicle pitches end over end.

■ SRS airbag system monitors



A diagnostic system continually monitors the readiness of the SRS airbag system (including front seatbelt pretensioners) while the vehicle is being driven. The SRS airbag system warning light "AIR-BAG" will show normal system operation by lighting for approximately 6 seconds when the ignition switch is turned to the "ON" position.

The following components are monitored by the indicator:

- Front sub sensor (right-hand side)
- Front sub sensor (left-hand side)
- Airbag control module (including impact and rollover sensors)
- Frontal airbag module (driver's side)
- Frontal airbag module (front passen-

ger's side)

- Side airbag sensor (center pillar right-hand side)
- Side airbag sensor (center pillar left-hand side)
- Side airbag module (driver's side)
- Side airbag module (front passenger's side)
- Curtain airbag sensor (rear wheel house right-hand side)
- Curtain airbag sensor (rear wheel house left-hand side)
- Curtain airbag module (right side)
- Curtain airbag module (left side)
- Satellite safing sensor (under the rear center seat)
- Seatbelt pretensioner (driver's side)
- Seatbelt pretensioner (front passenger's side)
- Seatbelt buckle switch (front passenger's side)
- Front passenger's seatbelt tension sensor
- Front passenger's occupant detection system weight sensor
- Front passenger's occupant detection control module
- Front passenger's frontal airbag ON and OFF indicator
- All related wiring

⚠ WARNING

If the warning light exhibits any of the following conditions, there may be a malfunction in the seatbelt pretensioners and/or SRS airbag system. Immediately take your vehicle to your nearest SUBARU dealer to have the system checked. Unless checked and properly repaired, the seatbelt pretensioners and/or SRS airbag will not operate properly in the event of a collision, which may increase the risk of injury.

- Flashing or flickering of the warning light
- No illumination of the warning light when the ignition switch is first turned to the "ON" position
- Continuous illumination of the warning light
- Illumination of the warning light while driving

■ SRS airbag system servicing

⚠ WARNING

- When discarding an airbag module or scrapping the entire vehi-

cle damaged by a collision, consult your SUBARU dealer.

- The SRS airbag has no user-serviceable parts. Do not use electrical test equipment on any circuit related to the SRS airbag system. For required servicing of the SRS airbag, consult your nearest SUBARU dealer. Tampering with or disconnecting the system's wiring could result in accidental inflation of the SRS airbag or could make the system inoperative, which may result in serious injury.



CAUTION

If you need service or repair in areas indicated in the following list, have the work performed by an authorized SUBARU dealer. The SRS airbag control module, impact sensors and airbag modules are stored in these areas.

- Under the center console
- On both the right and left sides at the front of the vehicle
- Steering wheel and column and nearby areas

- Top of the dashboard on front passenger's side and nearby areas
- Each front seat and nearby area
- Inside each center pillar
- In each roof side (from the front pillar to a point over the rear seat)
- Between the rear seat cushion and rear wheel house on each side
- Under the rear center seat

In the event that the SRS airbag is deployed, replacement of the system should be performed only by an authorized SUBARU dealer. When the components of the SRS airbag system are replaced, use only genuine SUBARU parts.

NOTE

In the following cases, contact your SUBARU dealer as soon as possible.

- The front part of the vehicle was involved in an accident in which only the driver's SRS frontal airbag or both driver's and front passenger's SRS frontal airbags did not deploy.
- The pad of the steering wheel, the cover over the front passenger's SRS frontal airbag, or either roof side (from

the front pillar to a point over the rear seat) is scratched, cracked, or otherwise damaged.

- Center pillar, rear wheel house or rear sub frame, or an area near these parts, was involved in an accident in which the SRS side airbag and SRS curtain airbag did not deploy.
- The fabric or leather of either front seatback is cut, frayed, or otherwise damaged.
- The rear part of the vehicle was involved in an accident in which no SRS airbag was deployed.

■ Precautions against vehicle modification



WARNING

To avoid accidental activation of the system or rendering the system inoperative, which may result in serious injury, no modifications should be made to any components or wiring of the SRS airbag system.

This includes following modifications:

- Installation of custom steering wheels
- Attachment of additional trim

materials to the dashboard

- Installation of custom seats
- Replacement of seat fabric or leather
- Installation of additional fabric or leather on the front seat
- Attachment of a hands-free microphone or any other accessory to a front pillar, a center pillar, a rear pillar, the windshield, a side window, an assist grip, or any other cabin surface that would be near a deploying SRS curtain airbag.
- Installation of additional electrical/electronic equipment such as a mobile two-way radio on or near the SRS airbag system components and/or wiring is not advisable. This could interfere with proper operation of the SRS airbag system.

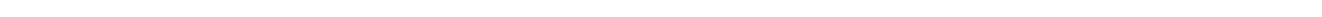
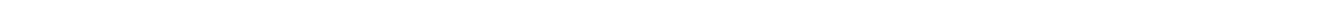
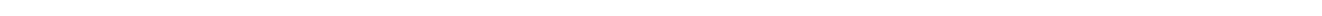
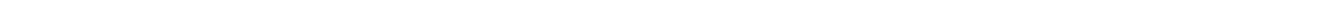
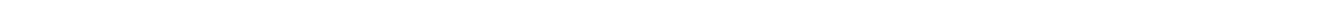
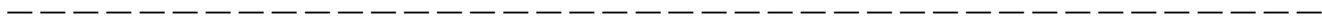


CAUTION

Do not perform any of the following modifications. Such modifications can interfere with proper operation of the SRS airbag system.

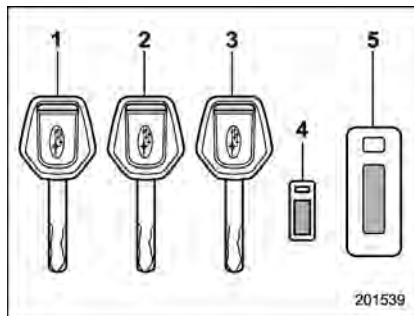
- Attachment of any equipment (bush bar, winches, snow plow, skid plate, etc.) other than genuine SUBARU accessory parts to the front end.
- Modification of the suspension system or front end structure.
- Installation of a tire of different size and construction from the tires specified on the vehicle placard attached to the driver's door pillar or specified for individual vehicle models in this Owner's Manual.
- Attachment of any equipment (side steps or side sill protectors, etc.) other than genuine SUBARU accessory parts to the side body.

Always consult your SUBARU dealer if you want to install any accessory parts on your vehicle.



Keys	2-2	Replacing lost transmitters	2-11
Key number plate	2-2	Alarm system	2-14
Immobilizer	2-2	System operation	2-14
Security ID plate	2-3	Activating and deactivating the alarm system	2-15
Security indicator light	2-3	If you have accidentally triggered the alarm system	2-15
Key replacement	2-4	Arming the system	2-15
Door locks	2-4	Disarming the system	2-17
Locking and unlocking from the outside	2-4	Valet mode	2-17
Locking and unlocking from the inside	2-5	Passive arming	2-17
Battery drainage prevention function	2-5	Tripped sensor identification	2-18
Power door locking switches	2-6	Shock sensors (dealer option)	2-19
Key lock-in prevention function	2-7	Child safety locks	2-19
Remote keyless entry system	2-7	Windows	2-20
Locking the doors	2-8	Power windows	2-20
Unlocking the doors	2-9	Rear gate	2-22
Unlocking the rear gate	2-9	Moonroof (if equipped)	2-23
Illuminated entry	2-9	To open the moonroof	2-24
Vehicle finder function	2-9	To close the moonroof	2-24
Sounding a panic alarm	2-10	Anti-entrapment function	2-24
Selecting audible signal operation	2-10	Sun shade	2-25
Replacing the battery	2-10		

Keys



- 1) Master key (black)
- 2) Submaster key (black)
- 3) Valet key (gray)
- 4) Key number plate
- 5) Security ID plate

Three types of keys are provided for your vehicle:

Master key, submaster key and valet key.

The master key and submaster key fit all locks on your vehicle.

- Ignition switch
- Driver's door
- Glove box

The valet key fits only the ignition switch and driver's door lock. You can keep the

glove box locked when you leave your vehicle and valet key at a parking facility.

CAUTION

Do not attach a large key holder or key case to either key. If it bangs against your knees while you are driving, it could turn the ignition switch from the ON position to the Acc or OFF position, thereby stopping the engine.

■ Key number plate

The key number is stamped on the key number plate attached to the key set. Write down the key number and keep it in another safe place, not in the vehicle. This number is needed to make a replacement key if you lose your key or lock it inside the vehicle.

For information on making replacement keys for vehicles with the immobilizer system, refer to "Security ID plate" [☞ 2-3](#).

Immobilizer

The immobilizer system is designed to prevent an unauthorized person from starting the engine. Only keys registered with your vehicle's immobilizer system can be used to operate your vehicle. Even if an unregistered key fits into the ignition switch and can be turned to the "START" position, the engine will automatically stop after several seconds.

Each immobilizer key contains a transponder in which the key's ID code is stored. When a key is inserted into the ignition switch and turned to the "ON" position, the transponder transmits the key's ID code to the immobilizer system's receiver. If the transmitted ID code matches the ID code registered in the immobilizer system, the system allows the engine to be started. Since the ID code is transmitted and acted upon almost instantly, the immobilizer system does not impede normal starting of the engine. If the engine fails to start, pull out the key once before trying again. Refer to "Ignition switch" [☞ 3-3](#).

This device complies with Part 15 of the FCC Rules and with RSS-210 of Industry Canada. Operation is subject to the following two conditions: (1) This

device may not cause harmful interference, and (2) this device must accept any interference received, including interference that may cause undesired operation.

Changes or modifications not expressly approved by the party responsible for compliance could void the user's authority to operate the equipment.

NOTE

To protect your vehicle from theft, please pay close attention to the following security precautions:

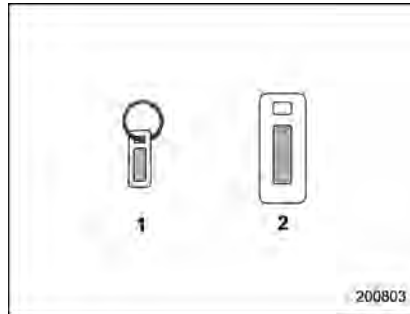
- Never leave your vehicle unattended with its keys inside.
- Before leaving your vehicle, close all windows and lock the doors and rear gate.
- Do not leave spare keys or any record of your key number in the vehicle.

CAUTION

- Do not place the key under direct sunlight or anywhere it may become hot.

- Do not get the key wet. If the key gets wet, wipe it dry with a cloth immediately.

■ Security ID plate



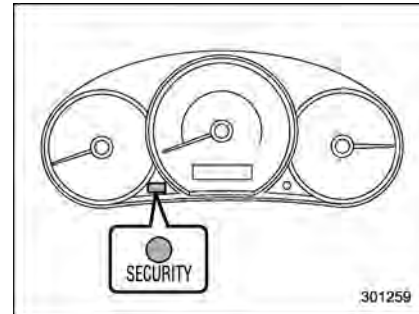
- 1) Key number plate
- 2) Security ID plate

The security ID is stamped on the security ID plate attached to the key set. Write down the security ID and keep it in another safe place, not in the vehicle. This number is needed to make a replacement key if you lose your key or lock it inside the vehicle.

This number is also needed for replacement or repair of the engine control unit, integrated unit, and combination meter.

■ Security indicator light

SECURITY



The security indicator light deters potential thieves by indicating that the vehicle is equipped with an immobilizer system. It begins flashing (approximately once every 3 seconds) approximately 60 seconds after the ignition switch is turned from the "ON" position to the "Acc" or "LOCK" position or immediately after the key is pulled out.

If the security indicator light does not flash, the immobilizer system may be faulty. If this occurs, contact your SUBARU dealer as soon as possible.

In case an unauthorized key is used (e.g. an imitation key), the security indicator light illuminates.

NOTE

Even if the security indicator light flashes irregularly or its fuse blows (the light does not flash if its fuse is blown), the immobilizer system will function normally.

■ Key replacement

Your key number plate and security ID plate will be required if you ever need a replacement key made. Any new key must be registered for use with your vehicle's immobilizer system before it can be used. Up to four keys can be registered for use with one vehicle.

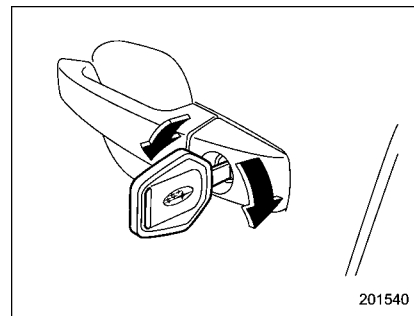
For security, all the keys registered with your vehicle's immobilizer system will have their ID codes erased and re-registered when a new key is made. Therefore, all of your vehicle's keys must be presented when a new key is registered. Any key that is not re-registered when a new key is made cannot be used after the other keys are re-registered. For information on replacement keys and on the registration of keys with your immobilizer system, contact your SUBARU dealer.

NOTE

A vehicle that is equipped with the remote engine start system as a dealer option can register up to three keys for use with one vehicle.

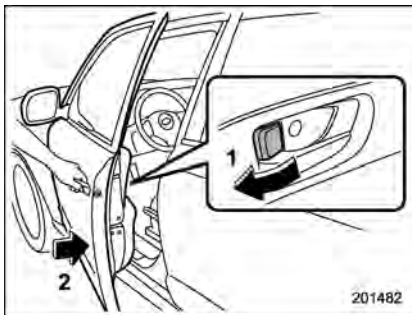
Door locks

■ Locking and unlocking from the outside



To lock the driver's door from the outside with the key, turn the key toward the rear. To unlock the door, turn the key toward the front.

Pull the outside door handle to open an unlocked door.



- 1) Rotate the lock lever rearward.
- 2) Close the door.

To lock the door from the outside without the key, rotate the lock lever rearward and then close the door.

To lock the door from the outside using the power door locking switch, push the front side of the switch ("LOCK" side) and then close the door. In this case, all closed doors and the rear gate are locked at the same time.

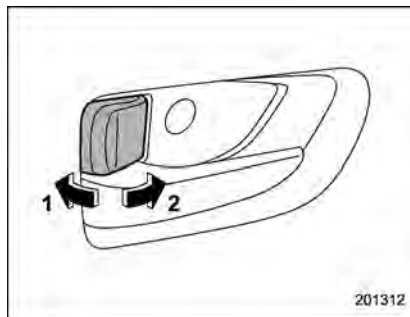
Always make sure that all doors and the rear gate are locked before leaving your vehicle.

NOTE

Make sure that you do not leave the key inside the vehicle when locking the

doors from the outside without the key.

■ Locking and unlocking from the inside



- 1) Lock
- 2) Unlock

To lock the door from the inside, rotate the lock lever rearward. To unlock the door from the inside, rotate the lock lever forward.

The red mark on the lock lever appears when the door is unlocked.

Pull the inside door handle to open an unlocked door.

Always make sure that all doors and the rear gate are closed before starting to drive.

⚠ WARNING

Keep all doors locked when you drive, especially when small children are in your vehicle.

Along with the proper use of seatbelts and child restraints, locking the doors reduces the chance of being thrown out of the vehicle in an accident.

It also helps prevent passengers from falling out if a door is accidentally opened, and intruders from unexpectedly opening doors and entering your vehicle.

■ Battery drainage prevention function

If a door or the rear gate is not completely closed, the interior lights will remain illuminated as a result. However, several lights are automatically turned off by the battery drainage prevention function to prevent the battery from discharging. The following interior lights are affected by this function.

Item	Switch position	Automatically turning off
Map lights	OFF*1	Approximately 20 minutes later
Dome light	DOOR	Approximately 20 minutes later
Ignition switch light	—	Approximately 20 minutes later
Door step lights	—	None*2
Cargo area light	DOOR	None*2

*1: The map lights can be controlled by the battery drainage prevention function only when the map light switches are in the OFF position and the door interlock switch is in the DOOR position. For the switch positions, refer to "Map light" 6-3.

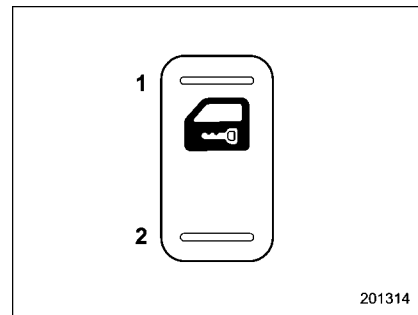
*2: The door step lights and the cargo area light are not affected by the battery drainage prevention function, so the lights do not turn off automatically. To turn off the lights, it is necessary that each door and the rear gate are completely closed.

The operational/non-operational setting of this function can be changed by a SUBARU dealer. Contact your SUBARU dealer to change the setting.

NOTE

- The factory setting (default setting) for this function is set as "operational".
- When leaving the vehicle, please make sure that all doors and the rear gate are completely closed.
- The battery drainage prevention function does not operate while the key is in the ignition switch.

Power door locking switches



- 1) Lock
- 2) Unlock

All doors and the rear gate can be locked and unlocked by the power door locking switches located at the driver's side and the front passenger's side doors.

To lock the doors, push the front side of the switch.

To unlock the doors, push the rear side of the switch.

When you close the doors after you set the door locks, the doors remain locked.

NOTE

Make sure that you do not leave the key inside the vehicle before locking the

doors from the outside using the power door locking switches.

■ Key lock-in prevention function

This function prevents the doors from being locked with the key still in the ignition switch.

▼ Behavior with key lock-in prevention function operational

With the driver's door open, the doors are automatically kept unlocked even if the door locking switch is pushed to the front ("LOCK") position.

▼ Behavior with key lock-in prevention function non-operational

- If the lock lever is turned to the rear ("LOCK") position with the driver's door open and the driver's door is then closed with the lock lever in that position, the driver's door is locked.
- If the spare key is used to lock the driver's door from the outside of the vehicle, the door is locked.

The setting of this function to operational/non-operational status can be changed by a SUBARU dealer. Contact a SUBARU dealer for details.

NOTE

When leaving the vehicle, make sure you are holding the key before locking the doors.

Remote keyless entry system



CAUTION

- Do not expose the remote transmitter to severe shocks, such as those experienced as a result of dropping or throwing.
- Do not take the remote transmitter apart except when replacing the battery.
- Do not get the remote transmitter wet. If it gets wet, wipe it dry with a cloth immediately.
- When you carry the remote transmitter on an airplane, do not press the button of the remote transmitter while in the airplane. When any button of the remote transmitter is pressed, radio waves are sent and may affect the operation of the airplane. When you carry the remote transmitter in a bag on an airplane, take measures to prevent the buttons of the remote transmitter from being pressed.

This device complies with Part 15 of the FCC Rules and with RSS-210 of Industry Canada. Operation is subject

to the following two conditions: (1) This device may not cause harmful interference, and (2) this device must accept any interference received, including interference that may cause undesired operation.

Changes or modifications not expressly approved by the party responsible for compliance could void the user's authority to operate the equipment.

Two transmitters are provided for your vehicle.

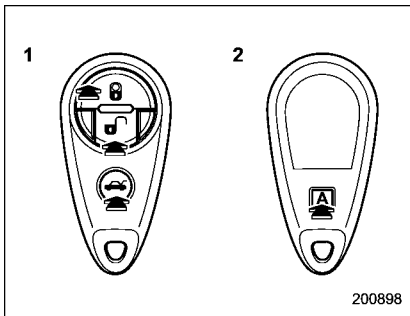
The keyless entry system has the following functions.

- Locking and unlocking the doors and rear gate without a key
- Unlocking the rear gate without a key
- Sounding a panic alarm
- Arming and disarming the alarm system. For detailed information, refer to "Alarm system" 2-14.

The operable distance of the keyless entry system is approximately 30 feet (10 meters). However, this distance will vary depending on environmental conditions. The system's operable distance will be shorter in areas near a facility or electronic equipment emitting strong radio waves such as a power plant, broadcast station,

TV tower, or remote controller of home electronic appliances.

The keyless entry system does not operate when the key is inserted in the ignition switch.

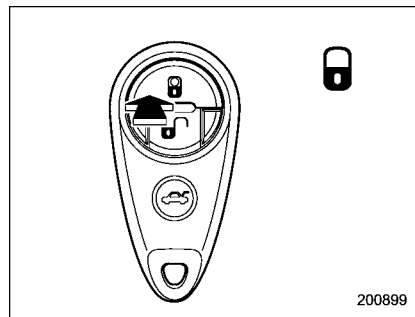


- : Rear gate unlock button
- : Unlock/disarm button
- : Lock/arm button

A: Panic button

- 1) Front
- 2) Back

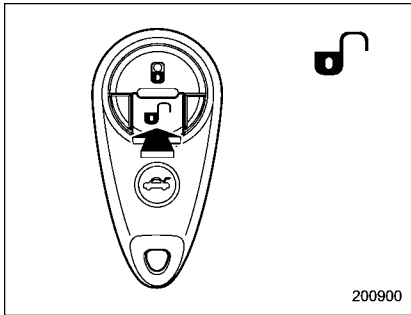
■ Locking the doors





Press the "🔒" button to lock all doors and the rear gate. An electronic chirp will sound once and the turn signal lights will flash once.


If any of the doors or the rear gate is not fully closed, an electronic chirp will sound five times and the turn signal lights will flash five times to alert you that the doors or the rear gate are not properly closed. When you close the door, it will automatically lock and then an electronic chirp will sound once and the turn signal lights will flash once.

■ Unlocking the doors

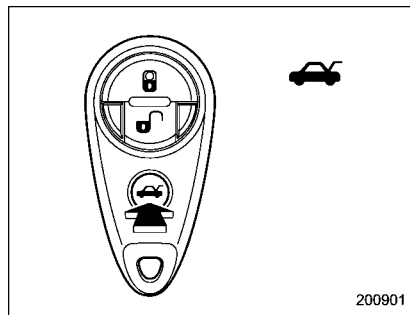



Press the “” button to unlock the driver's door. An electronic chirp will sound twice and the turn signal lights will flash twice. To unlock all doors and the rear gate, briefly press the “” button a second time within 5 seconds.

NOTE

If the interval between the first and second presses of the “” button (for unlocking of all of the doors and the rear gate) is extremely short, the system may not respond.


■ Unlocking the rear gate




Pressing the “” button opens the rear gate.

An electronic chirp will sound twice and the turn signal lights will flash twice.

■ Illuminated entry


The interior (dome) light and the map light will illuminate when the “” button is pressed. These lights stay illuminated for approximately 30 seconds if any of the doors or the rear gate is not opened.

If the “” button is pressed before 30 seconds have elapsed, these lights will turn off. The dome light must be set to **the DOOR position** in order for this function to operate.


A SUBARU dealer can change the illumi-

nation period setting of the interior light in accordance with your preference. Contact the nearest SUBARU dealer for details.

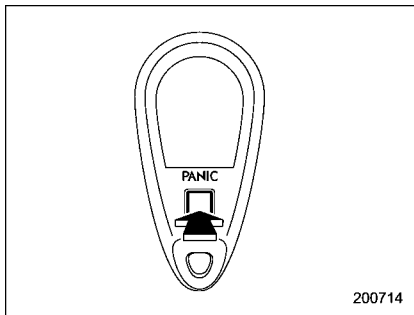
■ Vehicle finder function

Use this function to find your vehicle parked among many vehicles in a large parking lot. Provided you are within 30 feet (10 meters) of the vehicle, pressing the “” button three times in a 5-second period will cause your vehicle's horn to sound once and its turn signal lights to flash three times.

NOTE

If the interval between presses is too short when you press the “” button three times, the system may not respond to the signals from the remote transmitter.

■ Sounding a panic alarm



A "PANIC" button is located on the back of the transmitter.

To activate the alarm, press the "PANIC" button once.

The horn will sound and the turn signal lights will flash.

To deactivate the panic alarm, press any button on the remote transmitter. Unless a button on the remote is pressed, the alarm will be deactivated after approximately 30 seconds.

■ Selecting audible signal operation

Using an electronic chirp, the system will give you an audible signal when the doors lock and unlock. If desired, you may turn

the audible signal off.

Do the following to deactivate the audible signal. You can also use the same steps to restore the function.

1. Sit in the driver's seat and shut all doors and the rear gate.
2. Hold down the UNLOCK side of the power door locking switch.
3. While holding down the "UNLOCK" side of the power door locking switch, pull the key out and re-insert it into the ignition switch at least 6 times within 10 seconds after Step 2.
4. Open and close the driver's door once within 10 seconds after Step 3.
5. The turn signal lights flash 3 times to indicate completion of the setting.

You may have the above settings done by your SUBARU dealer.

■ Replacing the battery

⚠ CAUTION

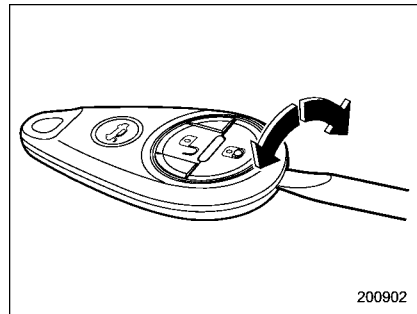
- Do not let dust, oil or water get on or in the transmitter when replacing the battery.
- Be careful not to damage the printed circuit board in the transmitter when replacing the battery.
- Be careful not to allow children to

touch the battery and any removed parts; children could swallow them.

- **There is a danger of explosion if an incorrect replacement battery is used. Replace only with the same or equivalent type of battery.**
- **Batteries should not be exposed to excessive heat such as sunshine, fire or the like.**

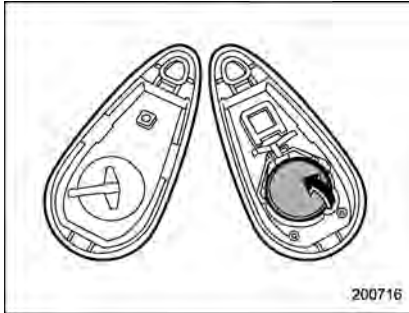
When the transmitter battery begins to get weak, transmitter range will begin to decrease. Replace the battery as soon as possible.

To replace the battery:

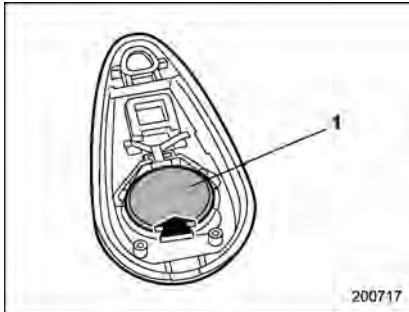


1. Open the transmitter case using a flat-

head screwdriver.



2. Remove the old battery from the holder.



1) Negative (-) side facing up

3. Replace with a new battery (type

CR2025 or equivalent) making sure to install the new battery with the negative (-) side facing up.

4. Refit the removed half of the transmitter case.

After the battery is replaced, the transmitter must be synchronized with the keyless entry system's control unit. Press either the "P" or "L" button six times to synchronize the unit.

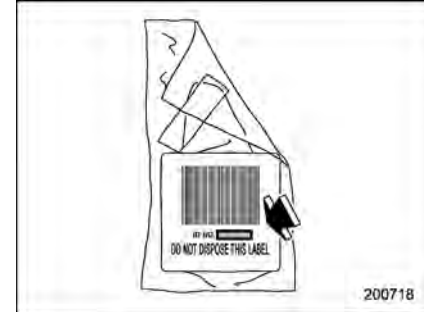
■ Replacing lost transmitters

If you lose a transmitter or want to purchase additional transmitters (up to four can be programmed), you should re-program all of your transmitters for security reasons. It is recommended that you have your dealer program all of your transmitters into your system.

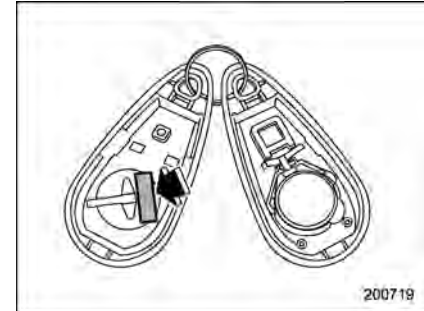
▼ Programming the transmitters

The keyless entry system is equipped with a special code learning feature that allows you to program new transmitter codes into the system or to delete old ones. The system can learn up to four unique transmitter codes. The four transmitter codes may be the same or different.

Programming transmitter codes into system:



Bag containing transmitter

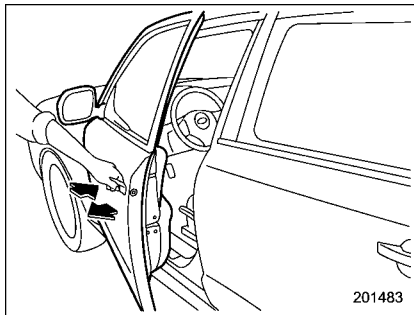


Transmitter circuit board

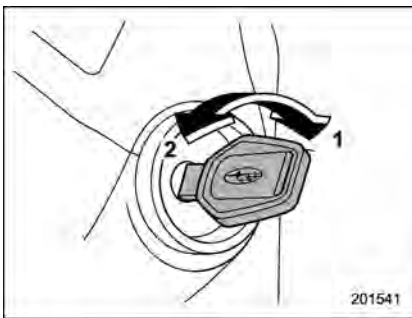
To register a new transmitter with the keyless entry system, it is necessary to

program the transmitter's code (identification number) into the system. A label showing the code is affixed to the bag containing the transmitter, and another is affixed to the circuit board inside the transmitter. If there is no bag, open the transmitter case and make a note of the eight-digit number. Program the number into the system in accordance with the following procedure:

1. Firmly close the doors and the rear gate.
2. Open the driver's door, sit on the driver's seat, and close the door.
3. Perform the following steps within 45 seconds.



(1) Open and close the driver's door once.



- 1) ON
- 2) LOCK

(2) Insert the key into the ignition switch, then turn it from the "LOCK" position to the "ON" position 10 times within 15 seconds.

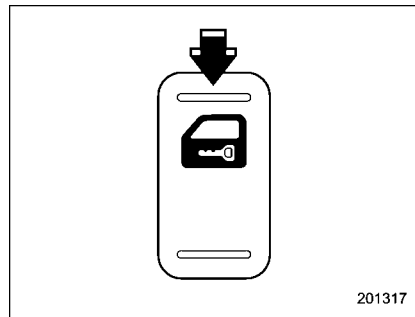
NOTE

- When you complete step (2), an electronic tone will sound once.
- If you do not perform steps (1) and (2) within 45 seconds, an error will occur. Neither an electronic tone nor the buzzer will sound, and the interior lamp will not flash. In this event, perform the whole procedure again beginning with part 1.

4. Open and close the door once within 15 seconds.

NOTE

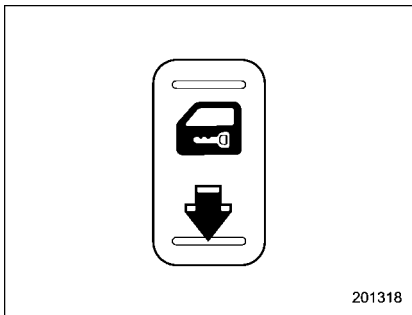
- When part 4 of the procedure is completed, an electronic tone will sound for 30 seconds.
- If you do not perform the operations in part 4 within 15 seconds, an error will occur and the electronic tone will not sound. In this event, perform the registration steps again beginning with part 3 of the procedure.



5. Before the electronic tone stops sounding, push the lock side of the power door lock switch the same number of times as the leftmost digit of the transmitter code. For example, push the lock switch eight times if the leftmost digit of the code is 8.

NOTE

- The electronic tone will stop sounding when you start entering the number.
- If you do not start entering the number using the lock switch before the electronic tone stops sounding, an error will occur. In this event, perform the registration steps again beginning with part 3 of the procedure.
- If the interval between one push of the switch and the next exceeds 5 seconds, an error will occur. In this event, perform the procedure again beginning with part 4. If an error occurs six times, perform the procedure again starting with part 3.



201318

6. When you have finished entering the number, push the unlock side of the lock

switch within 5 seconds.

NOTE

- An electronic tone will sound.
- If you push the unlock side of the lock switch when more than 5 seconds have passed, an error will occur. In this event, perform the procedure again beginning with part 4. If an error occurs six times, perform the procedure again starting with part 3.

7. Perform parts 5 and 6 of the procedure for each of the remaining digits of the transmitter code beginning with the second digit (counting from the left) and finishing with the eighth digit.

NOTE

- When you finish entering the eighth digit, an electronic tone will sound for 30 seconds.
- If the interval between one push of the switch and the next exceeds 5 seconds, an error will occur. In this event, perform the procedure again beginning with part 4. If an error occurs six times, perform the procedure again starting with part 3.

8. Before the electronic tone stops sounding, use the power door lock switch to reenter the transmitter code beginning with the leftmost digit.

NOTE

If you do not start entering the number using the lock switch before the electronic tone stops sounding, an error will occur. In this event, perform the procedure again beginning with part 3.

9. When you have finished entering the code a second time, an electronic tone will sound for 1 second and automatic door locking and unlocking operation will take place once to indicate completion of registration, provided the code entered the second time is identical to that entered the first time.

NOTE

If the code entered the second time is not identical to the code entered the first time, an error will occur. In this event, perform the procedure again beginning with part 5. If an error occurs five times, perform the procedure again starting with part 3.

10. If you wish to program another transmitter code into the system (up to four transmitter codes can be programmed into the system), perform the procedure beginning with part 4. When you have finished programming all of the necessary transmitter codes into the system, remove the key from the ignition switch.

11. Test every registered transmitter to confirm correct operation.

▼ **Deleting old transmitter codes**

The control unit of the keyless entry system has four memory locations to store transmitter codes, giving it the ability to operate with up to four transmitters. When you lose a transmitter, the lost transmitter's code remains in the memory. For security reasons, lost transmitter codes should be deleted from the memory.

To delete old transmitter codes, program four transmitter codes into the system. If you have only one current transmitter, program it four times. If you have two current transmitters, program each one twice. If you have three current transmitters, program two of them once and the third one twice. This process will leave only current transmitter codes in the system's memory.

NOTE

Make sure no one else is operating their keyless entry system within range of your vehicle when programming transmitters. If someone else were to operate their remote transmitter while you are programming your transmitters, it is possible that their transmitter code will be programmed into your

system, allowing them unauthorized access to your vehicle.

Alarm system

The alarm system helps to protect your vehicle and valuables from theft. The horn sounds and the turn signal lights flash if someone attempts to break into your vehicle. The starter motor is also interrupted to prevent starting the vehicle without a key.

The system can be armed and disarmed with the remote transmitter.

The system does not operate when the key is inserted into the ignition switch.

Your vehicle's alarm system has been set for activation at the time of shipment from the factory. You can set the system for deactivation yourself or have it done by your SUBARU dealer.

■ **System operation**

The alarm system will give the following alarms when triggered.

- The vehicle's horn will sound for 30 seconds.
- The turn signal lights will flash for 30 seconds.

If any of the doors or the rear gate remains open after the 30-second period, the horn will continue to sound for a maximum of 3 minutes. If the door or the rear gate is

closed while the horn is sounding, the horn will stop sounding with a delay of up to 30 seconds.

The alarm is triggered by:

- Opening any of the doors or the rear gate
- Physical impact to the vehicle, such as forced entry (only vehicles with shock sensors (dealer option))

NOTE

The alarm system can be set to trigger the illumination of the following interior lights.

- Dome light (illuminates only when the dome light switch is in the "DOOR" position)
- Map lights (illuminate only when the door interlock switch is in the "DOOR" position)

The notifications regarding the dome light and the map lights are deactivated as the factory setting. A SUBARU dealer can activate the system. Contact your SUBARU dealer for details.

■ Activating and deactivating the alarm system

To change the setting of your vehicle's alarm system for activation or deactivation, do the following.

1. Disarm the alarm system. Refer to "Disarming the system" 2-17.
2. Sit in the driver's seat and shut all doors and the rear gate.
3. Turn the ignition switch to the "ON" position.
4. Hold down the UNLOCK side of the driver's power door locking switch, open the driver's door within the following 1 second, and wait 10 seconds without releasing the switch. The setting will then be changed as follows.

If the system was previously activated:
The odometer/trip meter screen displays "AL oF" and the horn sounds twice, indicating that the system is now deactivated.

If the system was previously deactivated:
The odometer/trip meter screen displays "AL on" and the horn sounds once, indicating that the system is now activated.

NOTE

You may have the above setting change done by your SUBARU dealer.

■ If you have accidentally triggered the alarm system

▼ To stop the alarm

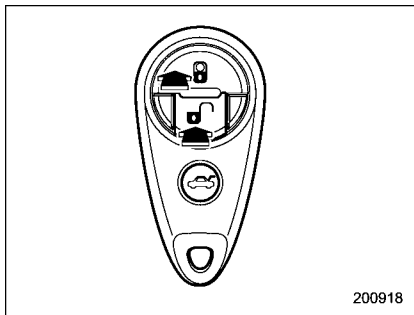
Do any of the following operations:

- Press any button on the remote transmitter.
- Turn the ignition switch to the "ON" position.



■ Arming the system

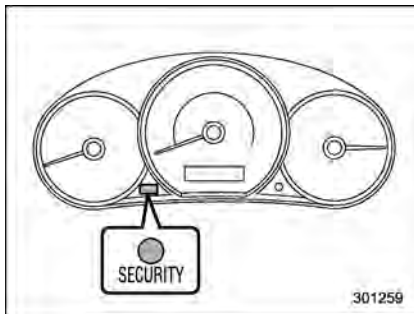
▼ To arm the system using remote transmitter

1. Close all windows and the moonroof (if equipped).
2. Remove the key from the ignition switch.
3. Open the doors and get out of the vehicle.
4. Make sure that the engine hood is locked.
5. Close all doors and the rear gate.




200918

-  : Press to Arm the system.
 : Press to Disarm the system.



301259

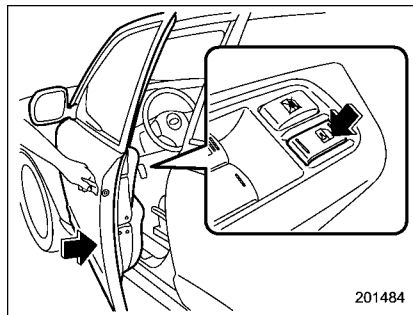
6. Briefly press the  button (for less than 2 seconds). All doors and the rear gate will lock, an electronic chirp will sound once, the turn signal lights will flash

once, and the indicator lights will start flashing rapidly. After rapid flashing for 30 seconds (standby time), the indicator lights will then flash slowly (twice approximately every 2 seconds), indicating that the system has been armed for surveillance.

If any of the doors or the rear gate is not fully closed, an electronic chirp sounds five times, the turn signal lights flash five times to alert you that the doors or the rear gate are not properly closed. When you close the door, the system will automatically arm and doors will automatically lock.

▼ To arm the system using power door locking switches

1. Close all windows.
2. Remove the key from the ignition switch.
3. Open the doors and get out of the vehicle.
4. Make sure that the engine hood is locked.
5. Close the doors and the rear gate but leave only the driver's door or the front passenger's door open.



201484

6. Push the front side ("LOCK" side) of the power door locking switch to set the door locks.


7. Close the door. An electronic chirp will sound once, the turn signal lights will flash once and the indicator lights will start flashing rapidly. After rapid flashing for 30 seconds (standby time), the indicator lights will then flash slowly (twice approximately every 2 seconds), indicating that the system has been armed for surveillance.

NOTE


- The system can be armed even if the engine hood, the windows and/or moonroof (if equipped) are open. Always make sure that they are fully closed before arming the system.

- The 30-second standby time can be eliminated if you prefer. Have it performed by your SUBARU dealer.
- The system is in the standby mode for a 30-second period after locking the doors with the remote transmitter. The security indicator light will flash at short intervals during this period.
- If any of the following actions are done during the standby period, the system will not switch to the surveillance state.
 - Doors are unlocked using the remote transmitter.
 - Any door (including the rear gate) is opened.
 - Ignition switch is turned to the “ON” position.

■ Disarming the system

Briefly press the “” button (for less than 2 seconds) on the remote transmitter. The driver’s door will unlock, an electronic chirp will sound twice, the turn signal lights will flash twice. The flashing of the security indicator light will then change slowly (once approximately every 3 seconds from twice approximately every 2 seconds), indicating that the alarm system has been disarmed.

NOTE

After disarming the alarm system, briefly press the “” button a second time within 5 seconds to unlock all other doors and the rear gate.

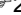
▼ Emergency disarming

If you cannot disarm the system using the transmitter (i.e. the transmitter is lost, broken or the transmitter battery is too weak), you can disarm the system without using the transmitter as follows.


- Turn the ignition switch from the “LOCK” to the “ON” position with a registered key.

■ Valet mode

When you choose the valet mode, the alarm system does not operate. In valet mode, the remote transmitter is used only for locking and unlocking the doors and rear gate and panic activation.

To enter the valet mode, change the setting of your vehicle’s alarm system for deactivation mode. Refer to “Activating and deactivating the alarm system”  2-15. The security indicator light will continue to flash once every 3 seconds indicating that the system is in the valet mode.

To exit valet mode, change the setting of

your vehicle’s alarm system for activation mode. Refer to “Activating and deactivating the alarm system”  2-15.

■ Passive arming

When passive arming mode has been programmed by the dealer, arming of the system is automatically accomplished without using the remote transmitter. Note that in this mode, DOORS MUST BE MANUALLY LOCKED.

▼ To enter the passive mode

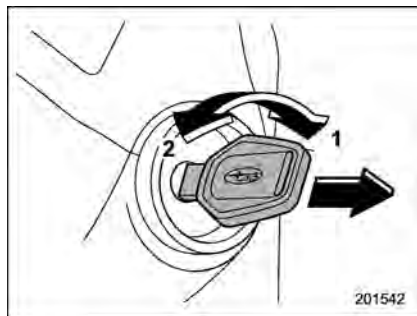
If you wish to program the passive arming mode, have it done by your SUBARU dealer.

▼ Arming the system

CAUTION

In passive mode, the system will automatically activate the alarm but WILL NOT automatically lock the doors. In order to lock the doors you must either lock them as indicated in step 4 below or with the key once they have been closed. Failure to lock the doors manually will result in a higher security risk.

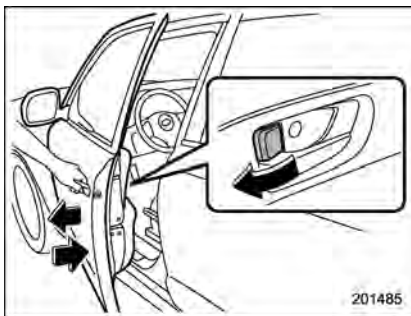
1. Turn the ignition switch to the “ON” position.



- 1) ON
- 2) LOCK

2. Turn the ignition switch from "ON" to "LOCK" position and remove the key from the ignition switch.

3. Open the doors and get out of the vehicle.



4. Before closing the doors, lock all doors with the inside door lock levers.

5. Close the doors. The system will automatically arm after 1 minute.

In the passive mode, the system can also be armed with the remote transmitter or with the power door locking switches. If the remote transmitter or power door locking switch is used to lock the vehicle, arming will take place immediately regardless of whether or not the passive mode has been selected.

▼ Disarming the system

To disarm the system, briefly press the "⏏" button on the transmitter.

■ Tripped sensor identification

The security indicator light flashes when the alarm system has been triggered. Also, the number of flashes indicates the location of unauthorized intrusion or the severity of impact on the vehicle.

When the ignition switch is turned to the "ON" position, the indicator light will light for 1 second and then flash as follows.

- When a door or rear gate was opened: 5 times
- When the ignition switch was turned to the "ON" position: 3 times
- When a strong impact or multiple impacts were sensed: twice (only vehicles with shock sensors (dealer option))
- When a light impact was sensed: once (only vehicles with shock sensors (dealer option))

NOTE

Any of the above indicator light flashings will recur each time the ignition switch is turned to the "ON" position. Rearming the alarm system cancels the flashing.

■ Shock sensors (dealer option)

The shock sensors trigger the alarm system when they sense impacts applied to the vehicle and when any of their electric wires are cut. The alarm system causes the horn to sound and the turn signal lights to flash for a short time when the sensed impact is weak, but it warns of a strong impact or multiple impacts by sounding the horn and flashing the turn signal lights, both lasting approximately 30 seconds.

If you desire, your SUBARU dealer can connect them and set them for activation or deactivation.

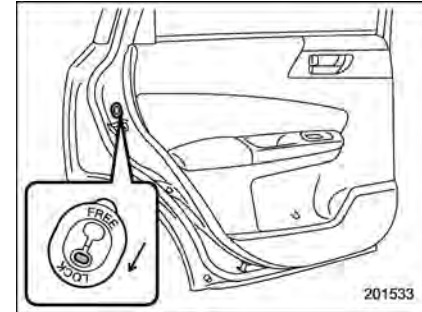
NOTE

- The shock sensors are not always able to sense impacts caused by breaking in, and cannot sense an impact that does not cause vibration (such as breaking the glass using a rescue hammer).
- The shock sensors may sense vibration as indicated in the following examples and trigger the alarm system. Select the settings of the alarm system and shock sensors appropriately depending on where you usually park your vehicle.

Examples:

- Vibration from a construction site
- Vibration in a multistory car park
- Vibration from trains
- You can have the sensitivity of the shock sensors adjusted to your preference by your SUBARU dealer.

Child safety locks



Each rear door has a child safety lock that prevents the doors from being opened even if the inside door handle is pulled. When the child safety lock lever is in the lock position, the door cannot be opened from inside regardless of the position of the inner door handle lock lever. The door can only be opened from the outside.



WARNING

Always turn the child safety locks to the "LOCK" position when children sit on the rear seat. Serious injury could result if a child accidentally opens the door and falls out.

Windows

■ Power windows

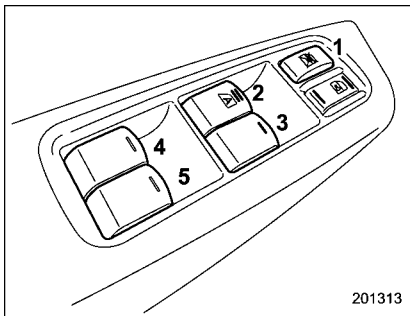
WARNING

To avoid serious personal injury caused by entrapment, always conform to the following instructions without exception.

- When operating the power windows, be extremely careful to prevent anyone's fingers, arms, neck or head from being caught in the window.
- Always lock the passengers' windows using the lock switch when children are riding in the vehicle.
- Before leaving the vehicle, always remove the key from the ignition switch for safety and never allow an unattended child to remain in the vehicle. Failure to follow this procedure could result in injury to a child operating the power window.

The power windows operate only when the ignition switch is in the "ON" position.

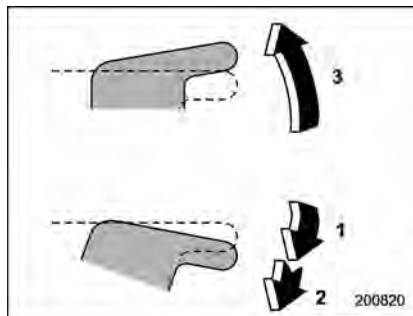
▼ Driver's side switches



- 1) Lock switch
- 2) For driver's window (with one-touch auto down feature)
- 3) For front passenger's window
- 4) For rear left window
- 5) For rear right window

All door windows can be controlled by the power window switch cluster at the driver side door.

▼ Operating the driver's window



- 1) Open
- 2) Automatically open
- 3) Close

To open:

Push the switch down lightly and hold it. The window will open as long as the switch is held.

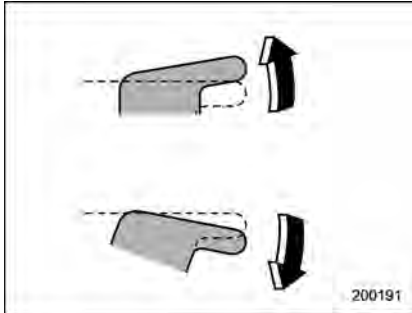
This switch also has a one-touch auto down feature that allows the window to be opened fully without holding the switch. Push the switch down until it clicks and release it, and the window will fully open. To stop the window halfway, pull the switch up lightly.

To close:

Pull the switch up lightly and hold it. The window will close as long as the switch is

held.

▽ Operating the passengers' windows



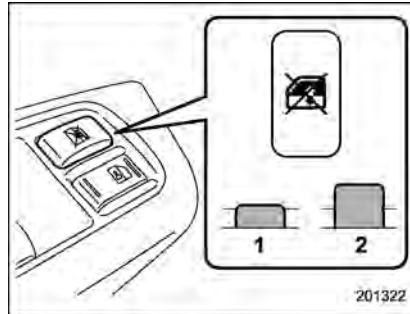
To open:

Push the appropriate switch down and hold it until the window reaches the desired position.

To close:

Pull the switch up and hold it until the window reaches the desired position.

▽ Locking the passengers' windows



- 1) Lock
- 2) Unlock

Push the lock switch. When the lock switch is in the "LOCK" position, the passengers' windows cannot be opened or closed.

Push the switch again to cancel the passengers' window locking.

▼ Passengers' side switches

To open:

Push the switch down and hold it until the window reaches the desired position.

To close:

Pull the switch up and hold it until the window reaches the desired position.

When the lock switch on the power window switch cluster, located on the driver's side door, is in the "LOCK" position, the passengers' windows cannot be operated with the passengers' switches.

Rear gate

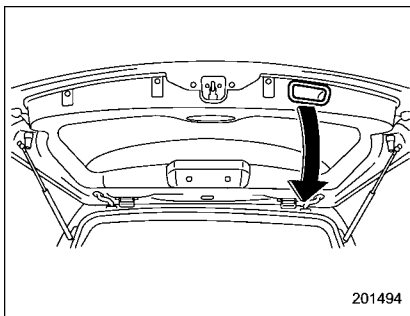


The rear gate can be locked and unlocked using any of the following systems.

- Power door locking switch: Refer to "Power door locking switches" 2-6.
- Remote keyless entry system: Refer to "Remote keyless entry system" 2-7.

To open:

Unlock the rear gate and push the rear gate opener button to open the rear gate.



To close:

Lower the rear gate slowly and push down firmly until the latch engages.

The rear gate can be lowered easily if you pull it down holding the recessed grip.

WARNING

- To prevent dangerous exhaust gas from entering the vehicle, always keep the rear gate closed while driving.

- Do not attempt to shut the rear gate while holding the recessed grip. Also avoid closing the rear gate by pulling on the recessed grip from inside the cargo space. There is a danger of your hand being caught and injured.

CAUTION

- Do not jam a plastic bag in or place cellophane tape on the rear gate stays or scratch the stays while loading or unloading cargo. That could cause leakage of gas from the stays, which may result in their inability to hold the rear gate open.
- Be careful not to hit your head or face on the rear gate when opening or closing the rear gate and when loading or unloading cargo.

NOTE

If the rear gate cannot be unlocked due to a discharged vehicle battery, a malfunction in the door locking/unlocking system or other causes, you can unlock it by manually operating the rear gate lock release lever. For the

procedure, refer to “Rear gate – if the rear gate cannot be opened” 9-17.

Moonroof (if equipped)

WARNING

Never let anyone’s hands, arms, head or any objects protrude from the moonroof. A person could be seriously injured if the vehicle stops suddenly or turns sharply or if the vehicle is involved in an accident.

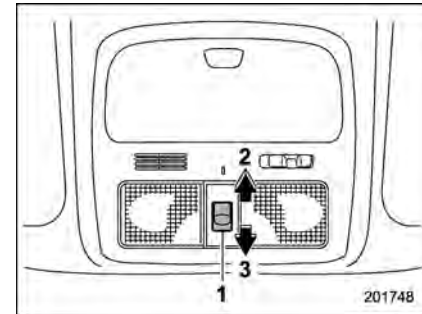
To avoid serious personal injury caused by entrapment, always conform to the following instructions without exception.

- Before closing the moonroof, make sure that no one’s hands, arms, head or other objects will be accidentally caught in the moonroof.
- Before leaving the vehicle, always remove the key from the ignition switch for safety and never allow an unattended child to remain in the vehicle. Failure to follow this procedure could result in injury to a child operating the moonroof.

- Never try to check the anti-entrapment function by deliberately placing part of your body in the moonroof.

CAUTION

- Do not sit on the edge of the open moonroof.
- Do not operate the moonroof if falling snow or extremely cold conditions have caused it to freeze shut.



- 1) Open/close switch
- 2) Open
- 3) Close

The moonroof operates only when the ignition switch is in the "ON" position.

■ To open the moonroof

Pull the switch to the "OPEN" side and quickly release it to open the moonroof. The sun shade will also be opened together with the moonroof. The moonroof will stop at a position 20 in (50 cm) away from the fully closed position. Pull the switch again to open the moonroof completely.

To stop the moonroof at a desired position, momentarily push the switch to the "CLOSE" or "OPEN" side.

After washing the vehicle or after it rains, wipe away water on the roof prior to opening the moonroof to prevent drops of water from falling into the passenger compartment.

■ To close the moonroof

Push the switch to the "CLOSE" side then quickly release it to close the moonroof. The moonroof will stop at a position 8 in (20 cm) away from the fully closed position. Push the switch again to close the moonroof completely.

To stop the moonroof at a desired position, momentarily push the switch to the

"CLOSE" or "OPEN" side.

■ Anti-entrapment function

When the moonroof senses a substantial enough object trapped between its glass and the vehicle's roof during closure, it automatically moves back by 6 in (15 cm) from that point and then stops. The anti-entrapment function may also be activated by a strong shock on the moonroof even when there is nothing trapped.



CAUTION

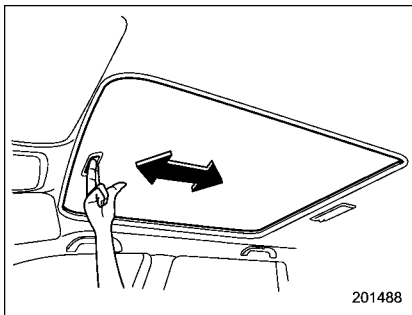
Never attempt to test this function using fingers, hands or other parts of your body.

NOTE

- For the sake of safety, it is recommended that you avoid driving with the moonroof fully opened.
- Driving with the moonroof fully open can cause an annoying sound to generate at high speeds. If such a condition has been encountered, use the moonroof at the initial stop position of 20 in (50 cm) away from the fully closed position.

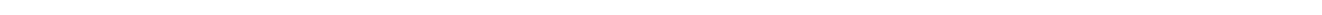
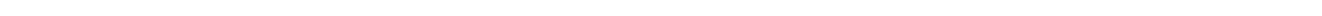
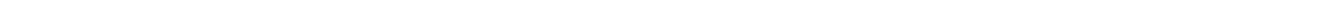
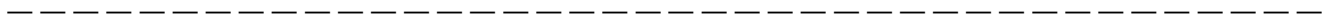
- If the moonroof cannot be closed through switch operation because of system failure, it can be closed manually using a hex-head wrench. For the procedure, refer to "Moonroof – if the moonroof cannot be closed" 9-17.

■ Sun shade



The sun shade can be slid forward or backward by hand while the moonroof is closed.

If the moonroof is opened, the sun shade also moves back.



Ignition switch.....	3-3	ABS warning light.....	3-16
LOCK.....	3-3	Brake system warning light.....	3-17
Acc.....	3-4	Low fuel warning light	3-18
ON.....	3-4	Hill start assist warning light (MT models)	3-18
START	3-4	Door open warning light	3-18
Key reminder chime	3-5	All-Wheel Drive warning light (AT models)	3-18
Ignition switch light.....	3-5	Automatic headlight beam leveler warning light (models with HID headlights).....	3-18
Hazard warning flasher.....	3-5	Vehicle Dynamics Control operation indicator light	3-19
Meters and gauges.....	3-5	Vehicle Dynamics Control warning light/Vehicle Dynamics Control OFF indicator light.....	3-19
Combination meter illumination	3-5	Security indicator light.....	3-20
Canceling the function for meter/gauge needle movement upon turning on the ignition switch.....	3-6	SPORT mode indicator light (AT models).....	3-20
Speedometer.....	3-6	Selector lever and gear position indicator (AT models).....	3-21
Odometer/Trip meter.....	3-6	Turn signal indicator lights.....	3-21
Tachometer	3-8	High beam indicator light.....	3-21
Fuel gauge.....	3-8	Cruise control indicator light.....	3-21
Warning and indicator lights	3-9	Cruise control set indicator light	3-21
Seatbelt warning light and chime	3-10	Front fog light indicator light (if equipped).....	3-21
SRS airbag system warning light.....	3-11	Headlight indicator light.....	3-21
Front passenger's frontal airbag ON and OFF indicators.....	3-12	Clock	3-22
CHECK ENGINE warning light/Malfunction indicator lamp.....	3-12	Information display.....	3-22
Coolant temperature low indicator light/Coolant temperature high warning light	3-13	Outside temperature indicator	3-23
Charge warning light.....	3-14	Current fuel consumption (if equipped)	3-24
Oil pressure warning light	3-14	Average fuel consumption	3-24
AT OIL TEMP warning light (AT models).....	3-14	To turn off fuel consumption indicator display	3-24
Low tire pressure warning light (U.S.-spec. models).....	3-15	Light control switch.....	3-25
		Headlights	3-26

Instruments and controls

High/low beam change (dimmer).....	3-26
Headlight flasher	3-26
Daytime running light system (if equipped)	3-27
Automatic headlight beam leveler (models with HID headlights)	3-27
Turn signal lever	3-27
Illumination brightness control	3-28
Front fog light switch (if equipped)	3-28
Wiper and washer	3-29
Windshield wiper and washer switches	3-30

Rear window wiper and washer switch	3-32
Mirrors	3-32
Inside mirror.....	3-32
Outside mirrors	3-34
Defogger and deicer.....	3-35
Tilt steering wheel (if equipped)	3-37
Tilt/telescopic steering wheel (if equipped)	3-38
Horn.....	3-38

Ignition switch

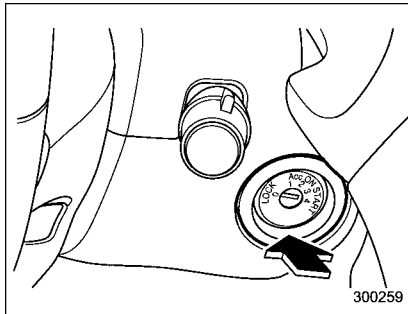
WARNING

- Never turn the ignition switch to “LOCK” while the vehicle is being driven or towed because that will lock the steering wheel, preventing steering control. And when the engine is turned off, it takes a much greater effort than usual to steer.
- Before leaving the vehicle, always remove the key from the ignition switch for safety and never allow an unattended child to remain in the vehicle. Failure to follow this procedure could result in injury to a child or others. Children could operate the power windows, the moon-roof or other controls or even make the vehicle move.

CAUTION

Do not attach a large key holder or key case to either key. If it banged against your knees or hands while you are driving, it could turn the ignition switch from the “ON” posi-

tion to the “Acc” or “LOCK” position, thereby stopping the engine. Also, if the key is attached to a keyholder or to a large bunch of other keys, centrifugal force may act on it as the vehicle moves, resulting in unwanted turning of the ignition switch.



The ignition switch has four positions: LOCK, Acc, ON and START.

NOTE

- Keep the ignition switch in the “LOCK” position when the engine is not running.
- Using electrical accessories for a long time with the ignition switch in the “ON” or “Acc” position can cause the

battery to go dead.

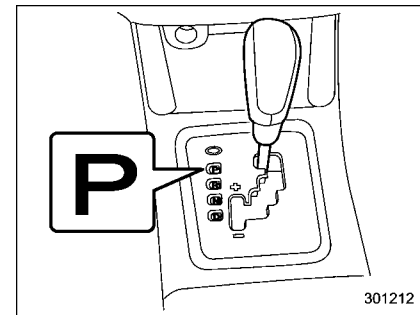
- If the ignition switch will not move from the “LOCK” position to the “Acc” position, turn the steering wheel slightly to the left and right as you turn the ignition switch.

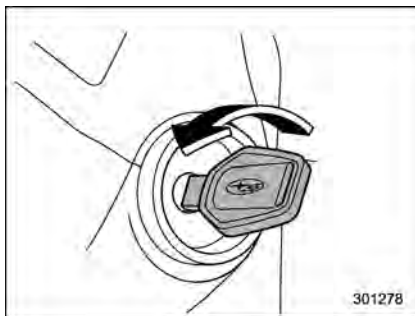
■ LOCK

The key can only be inserted or removed in this position. The ignition switch will lock the steering wheel when you remove the key.

If turning the key is difficult, turn the steering wheel slightly to the right and left as you turn the key.

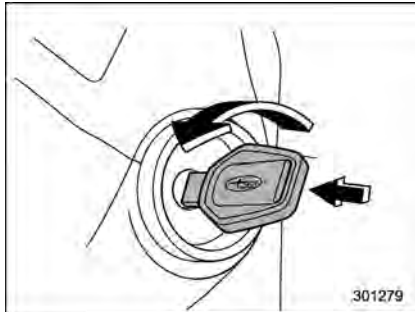
▼ Automatic transmission models





The key can be turned from "Acc" to "LOCK" only when the selector lever is in the "P" position.

▼ Manual transmission models



The key can be turned from "Acc" to "LOCK" only when the key is pushed in

while turning it.

■ **Acc**

In this position the electrical accessories (radio, accessory power outlet, etc.) can be used.

■ **ON**

This is the normal operating position after the engine is started.

■ **START**

The engine is started in this position. The starter cranks the engine to start it. When the key is released (after the engine has started), the key automatically returns to the "ON" position.

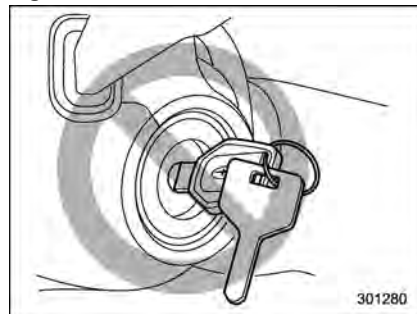
 **CAUTION**

Do not turn the ignition switch to the "START" position while the engine is running.

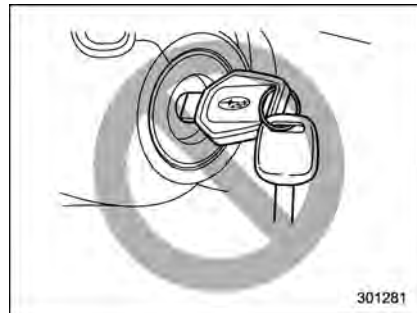
If your registered key fails to start the engine, pull out the key once (the security indicator light will blink), and then insert the key in the ignition switch and turn it to the "START" position and again try to start the engine.

NOTE

The engine may not start in the following cases:



- The key grip is touching another key or a metallic key holder.



- The key is near another key that

contains an immobilizer transponder.

- The key is near or touching another transmitter.

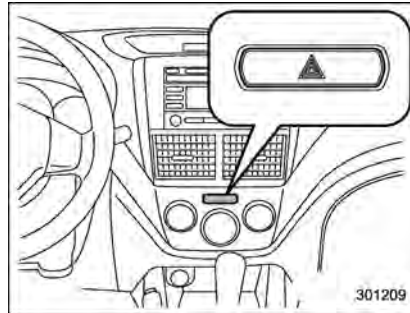
■ Key reminder chime

The reminder chime sounds when the driver's door opens and the key is in the "LOCK" or "Acc" position. The chime stops when the ignition switch is turned to the "ON" position or the key is removed from the ignition switch.

■ Ignition switch light

For easy access to the ignition switch in the dark, the ignition switch light illuminates when the driver's door is opened or when the driver's door is unlocked using the remote keyless entry transmitter. The light remains on for several tens of seconds and then gradually turns off after driver's door is closed. Also, the light turns off immediately if the key is turned to the "ON" position or if all doors and the rear gate are locked using the remote keyless entry transmitter.

Hazard warning flasher



The hazard warning flasher is used to warn other drivers when you have to park your vehicle under emergency conditions. The hazard warning flasher works regardless of the position of the ignition switch.

To turn on the hazard warning flasher, push the hazard warning button on the instrument panel. To turn off the flasher, push the button again.

NOTE

When the hazard warning flasher is on, the turn signals do not work.

Meters and gauges

NOTE

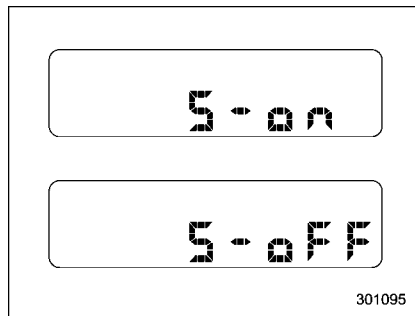
Liquid-crystal displays are used in some of the meters and gauges on the combination meter. You will find their indications hard to see if you wear polarized glasses.

■ Combination meter illumination

When the ignition switch is turned to the "ON" position, the various parts of the combination meter are illuminated in the following sequence:

1. Warning lights, indicator lights, meter needles, gauge needles, odometer and trip meter back light illuminate.
2. Meter needles and gauge needles each show MAX position.
3. Meter needles and gauge needles each show MIN position.
4. Dials and indicators in meters and gauges light up.
5. Regular illumination (for driving) begins.

■ **Canceling the function for meter/gauge needle movement upon turning on the ignition switch**

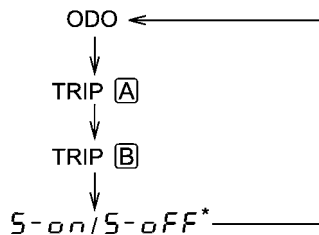


It is possible to activate or deactivate the movement of the meter needles and gauge needles that takes place when the ignition switch is turned to the "ON" position.

Turn the ignition switch to the "LOCK" or "Acc" position.

Press the trip knob to show "S-on" or "S-off" on the odometer/trip meter display.

The display can be switched as shown in the following illustration by pressing the trip knob.



*: "S-on" or "S-off" cannot be displayed when the ignition switch is in the "ON" position.

To change the current setting, press the trip knob for at least 2 seconds.

S-on : Activated

S-off : Deactivated

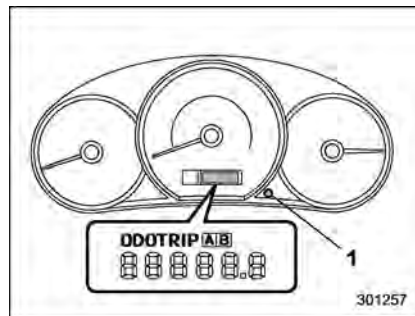
NOTE

- **Your vehicle's initial movement setting of the meter/gauge needles has been set for activation "S-on" at the time of shipment from the factory.**
- **It is not possible to cancel the initial movement setting of the meter/gauge needles when the ignition switch is in the "ON" position. Cancel the setting when the ignition switch is in the "LOCK" or "Acc" position.**

■ **Speedometer**

The speedometer shows the vehicle speed.

■ **Odometer/Trip meter**

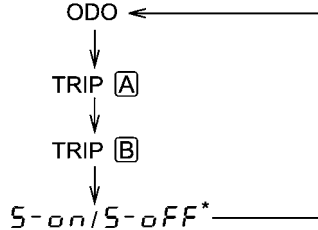


1) Trip knob

This meter displays the odometer and two trip meters when the ignition switch is in the "ON" position.

If you press the trip knob when the ignition switch is in the "LOCK" or "Acc" position, the odometer/trip meter will light up. It is possible to switch the indications while the odometer/trip meter is lit up. If you do not press the trip knob within 10 seconds of illumination of the odometer/trip meter, the odometer/trip meter will turn off.

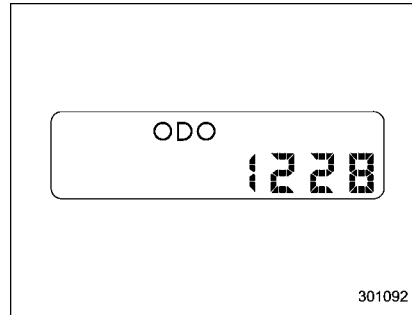
The display can be switched as shown below by pressing the trip knob.



*: "S-on" or "S-off" cannot be displayed when the ignition switch is in the "ON" position.

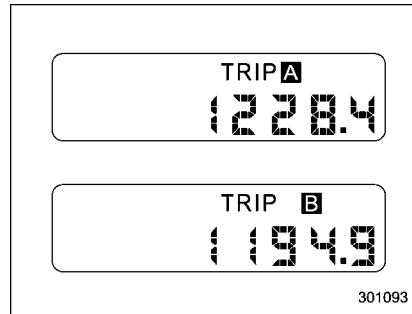
For the "S-on" or "S-off" indication, refer to "Canceling the function for meter/gauge needle movement upon turning on the ignition switch" 3-6.

▼ Odometer



The odometer shows the total distance that the vehicle has been driven.

▼ Double trip meter



The trip meter shows the distance that the

vehicle has been driven since you last set it to zero.

To set the trip meter to zero, select the A trip or B trip meter by pushing the knob and keep the knob pushed for more than 2 seconds.

⚠ CAUTION

To ensure safety, do not attempt to change the function of the indicator during driving, as an accident could result.

NOTE

If the connection between the combination meter and battery is broken for any reason such as vehicle maintenance or fuse replacement, the data recorded on the trip meter will be lost.

■ Tachometer

The tachometer shows the engine speed in thousands of revolutions per minute.

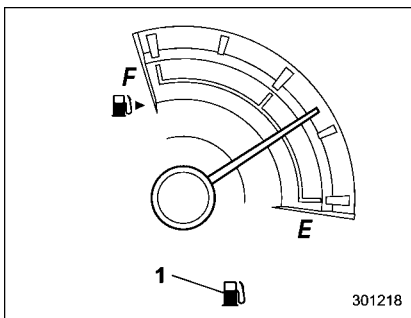
CAUTION

Do not operate the engine with the pointer of the tachometer in the red zone. This may cause severe damage to the engine.

NOTE (non-turbo models)

To protect the engine while the selector lever is in the "P" or "N" position (for AT models) or the shift lever is in the neutral position (for MT models), the engine is controlled so that the engine speed may not become too high even if the accelerator pedal is depressed hard.

■ Fuel gauge



1) Low fuel warning light

The fuel gauge shows the approximate amount of fuel remaining in the tank.

When the ignition switch is in the "LOCK" or "Acc" position, the fuel gauge shows "E" even if the fuel tank contains fuel.

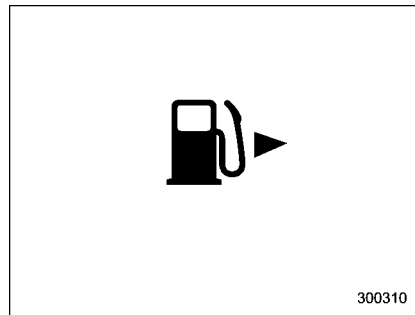
The gauge may move slightly during braking, turning or acceleration due to fuel level movement in the tank.

If you press the trip knob while the ignition switch is in the "LOCK" or "Acc" position, the fuel gauge will light up and indicate the amount of fuel remaining in the tank.

If, while the fuel gauge is indicating the amount of fuel remaining in the tank, you (a) do not press the trip knob for 10

seconds or (b) open and close the driver's door, the fuel gauge indication will turn off.

NOTE



You will see the "1" sign in the fuel gauge.

This indicates that the fuel filler door (lid) is located on the right side of the vehicle.

▼ Low fuel warning light

The low fuel warning light illuminates when the tank is nearly empty [approximately 2.6 US gal (10.0 liters, 2.2 Imp gal)]. It only operates when the ignition switch is in the "ON" position. When this light illuminates, fill the fuel tank immediately.

NOTE

This light does not turn off unless the tank is replenished up to an internal fuel quantity of approximately 4.0 US gal (15 liters, 3.3 Imp gal).


 **CAUTION**


Promptly put fuel in the tank whenever the low fuel warning light illuminates. Engine misfires as a result of an empty tank could cause damage to the engine.

Warning and indicator lights

Several of the warning and indicator lights illuminate momentarily and then turn off when the ignition switch is initially turned to the "ON" position. This permits checking the operation of the bulbs.


Apply the parking brake and turn the ignition switch to the "ON" position. The following lights illuminate:

: Seatbelt warning light
(The seatbelt warning light turns off only when the driver fastens the seatbelt.)

: Front passenger's seatbelt warning light
(The seatbelt warning light turns off only when the front seat passenger fastens the seatbelt.)

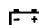
AIR BAG: SRS airbag system warning light


ON / : Front passenger's frontal airbag ON indicator light

OFF / : Front passenger's frontal airbag OFF indicator light

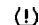
CHECK-ENGINE: CHECK ENGINE warning light/Malfunction indicator lamp

: Coolant temperature high warning light

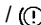
: Charge warning light

: Oil pressure warning light


AT OIL-TEMP: AT OIL TEMP warning light
(AT models)

: Low tire pressure warning light
(U.S.- spec. models)

ABS / : ABS warning light


BRAKE / : Brake system warning light


: Low fuel warning light

: Hill start assist warning light
(MT models)

: Door open warning light

AWD: AWD warning light
(AT models)


: Vehicle Dynamics Control operation indicator light

: Vehicle Dynamics Control warning light/Vehicle Dynamics Control OFF indicator light

SPORT: SPORT mode indicator light
(AT models)

CRUISE: Cruise control indicator light

SET: Cruise control set indicator light

: Automatic headlight beam leveler warning light (models with HID head-

lights)

If any lights fail to illuminate, it indicates a burned-out bulb or a malfunction of the corresponding system.

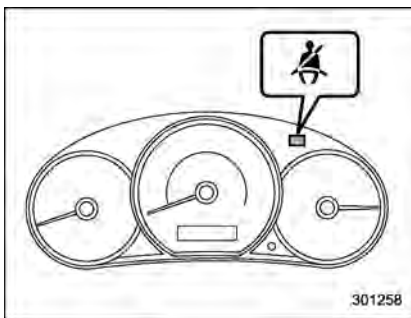
Consult your authorized SUBARU dealer for repair.

■ Seatbelt warning light and chime

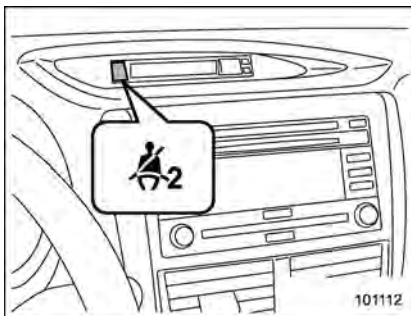


Your vehicle is equipped with a seatbelt warning device at the driver's and front passenger's seat, as required by current safety standards.

With the ignition switch turned to the "ON" position, this device reminds the driver and front passenger to fasten their seatbelts by illuminating the warning lights in the locations indicated in the following illustration and sounding a chime.



Driver's warning light



Front passenger's warning light

▼ Operation

If the driver and/or front passenger have/has not yet fastened the seatbelt(s) when

the ignition switch is turned to the "ON" position, the seatbelt warning light(s) will flash for 6 seconds, to warn that the seatbelt(s) is/are unfastened. If the driver's seatbelt is not fastened, a chime will also sound simultaneously.

NOTE

- If the driver's and/or front passenger's seatbelt(s) are/is still not fastened 6 seconds later, the seatbelt warning device operates as follows according to the vehicle speed.

- At speeds lower than approximately 9 mph (15 km/h)

The warning light(s) for unfastened seatbelt(s) will alternate between steady illumination and flashing at 15-second intervals. The chime will not sound.

- At speeds higher than approximately 9 mph (15 km/h)

The warning light(s) for unfastened seatbelt(s) will alternate between flashing and steady illumination at 15-second intervals and the chime will sound while the warning light(s) is/are flashing.

- It is possible to cancel the warning operation that follows the 6-second warning after turning ON the ignition switch. When the ignition switch is

turned **ON** next time, however, the complete sequence of the warning operation resumes. For further details about canceling the warning operation, please contact your **SUBARU** dealer.

If there is no passenger on the front passenger's seat, the seatbelt warning device for the front passenger's seat will be deactivated. The front passenger's occupant detection system monitors whether or not there is a passenger on the front passenger's seat. Observe the following precautions. Failure to do so may prevent the device from functioning correctly or cause the device to fail.

- Do not install any accessory such as a table or TV onto the seatback.
- Do not store a heavy load in the seatback pocket.
- Do not allow the rear seat occupant to place his/her hands or legs on the front passenger's seatback, or allow him/her to pull the seatback.
- Do not use front seats with their backward-forward position and seatback not being locked into place securely. If any of them are not locked securely, adjust them again. For the adjustment procedure of the manual seats, refer to "Manual seat" 1-3.

If the seatbelt warning device for the front

passenger's seat does not function correctly (e.g., it is activated even when the front passenger's seat is empty or it is deactivated even when the front passenger has not fastened his/her seatbelt), take the following actions.

- Ensure that no article is placed on the seat other than a child restraint system and its child occupant, although we strongly recommend that all children sit in the rear seat properly restrained.
- Ensure that there is no article left in the seatback pocket.
- Ensure that the backward-forward position and seatback of front passenger's seat are locked into place securely by moving the seat back and forth.

If still the seatbelt warning device for front passenger's seat does not function correctly after taking relevant corrective actions described above, immediately contact your **SUBARU** dealer for an inspection.

■ **SRS airbag system warning light** AIR BAG

When the ignition switch is turned to the "ON" position, the SRS airbag system warning light will illuminate for approximately 6 seconds and turn off. This shows that the SRS airbag, SRS side airbag,

SRS curtain airbag and seatbelt pretensioners are operating normally.



WARNING

If the warning light exhibits any of the following conditions, there may be a malfunction in the seatbelt pretensioners and/or SRS airbag system. Immediately take your vehicle to your nearest **SUBARU** dealer to have the system checked. Unless checked and properly repaired, the seatbelt pretensioners and/or SRS airbag will not operate properly in the event of a collision, which may increase the risk of injury.

- Flashing or flickering of the warning light
- No illumination of the warning light when the ignition switch is first turned to the "ON" position
- Continuous illumination of the warning light
- Illumination of the warning light while driving

■ Front passenger's frontal airbag ON and OFF indicators



ON / Front passenger's frontal airbag ON indicator

OFF / Front passenger's frontal airbag OFF indicator

The front passenger's frontal airbag ON and OFF indicators show you the status of the front passenger's SRS frontal airbag. The indicators are located next to the clock in the center portion of the dashboard.

When the ignition switch is turned to the "ON" position, both the ON and OFF indicators illuminate for 6 seconds during which time the system is checked. Following the system check, both indicators turn off for 2 seconds. After that, one of the

indicators illuminates depending on the status of the front passenger's SRS frontal airbag determined by the SUBARU advanced frontal airbag system monitoring.

If the front passenger's SRS frontal airbag is activated, the passenger's frontal airbag ON indicator will illuminate while the OFF indicator will remain off.

If the front passenger's SRS frontal airbag is deactivated, the passenger's frontal airbag ON indicator will remain off while the OFF indicator will illuminate.

With the ignition switch turned to the "ON" position, if both the ON and OFF indicators remain illuminated or off simultaneously even after the system check period, the system is faulty. Contact your SUBARU dealer immediately for an inspection.

■ CHECK ENGINE warning light/Malfunction indicator lamp

CHECK ENGINE



CAUTION

If the CHECK ENGINE light illuminates while you are driving, have your vehicle checked/repared by your SUBARU dealer as soon as possible. Continued vehicle operation without having the emission

control system checked and repaired as necessary could cause serious damage, which may not be covered by your vehicle's warranty.

If this light illuminates steadily or blinks while the engine is running, it may indicate that there is a problem or potential problem somewhere in the emission control system.

▼ If the light illuminates steadily

If the light illuminates steadily while driving or does not turn off after the engine starts, an emission control system malfunction has been detected.

You should have your vehicle checked by an authorized SUBARU dealer immediately.

NOTE

This light also illuminates when the fuel filler cap is not tightened until it clicks.

If you have recently refueled your vehicle, the cause of the CHECK ENGINE warning light/malfunction indicator lamp coming on could be a loose or missing fuel filler cap. Remove the cap and retighten it until it clicks. Make sure nothing is interfering with the sealing of the cap. Tightening the cap will not make the CHECK ENGINE warning light turn off immediately. It may

take several driving trips. If the light does not turn off, take your vehicle to your authorized SUBARU dealer immediately.

▼ **If the light is blinking**

If the light is blinking while driving, an engine misfire condition has been detected which may damage the emission control system.

To prevent serious damage to the emission control system, you should do the following.

- Reduce vehicle speed.
- Avoid hard acceleration.
- Avoid steep uphill grades.
- Reduce the amount of cargo, if possible.

The CHECK ENGINE warning light may stop blinking and illuminate steadily after several driving trips. You should have your vehicle checked by an authorized SUBARU dealer immediately.

■ **Coolant temperature low indicator light/Coolant temperature high warning light** 

 **CAUTION**

- **After turning the ignition switch to the "ON" position, if this indicator light/warning light behaves under any of the following conditions, the electrical system may be malfunctioning. Contact your SUBARU dealer immediately for an inspection.**
 - It remains blinking in RED.
 - It remains illuminated in RED for more than 2 seconds.
 - It remains blinking in RED and BLUE alternately.
- **While driving, if this indicator light/warning light behaves under any of the following conditions, take the specified appropriate measure listed below.**
 - **Blinking or illuminated in RED:**
Safely stop the vehicle as soon as possible, and refer to the emergency steps for the case of engine overheating.

After that, have the system checked by your nearest SUBARU dealer. Refer to "Engine overheating" 9-12.

- **Blinking in RED and BLUE alternately:**
The electrical system may be malfunctioning. Contact your SUBARU dealer for an inspection.

This coolant temperature low indicator light/coolant temperature high warning light has the following three functions.

- Illumination in **BLUE** indicates insufficient warming up of the engine
- Blinking in **RED** indicates that the engine is close to overheating
- Illumination in **RED** indicates overheating condition of the engine

For the system check, this indicator light/warning light illuminates in **RED** for approximately 2 seconds when the ignition switch is turned to the "ON" position. After that, this indicator light/warning light changes to **BLUE** and maintains illumination in **BLUE**. This **BLUE** illuminated light turns off when the engine is warmed up sufficiently.

If the engine coolant temperature in-

creases over the appropriate range, the indicator light/warning light blinks in **RED**. At this time, the engine is close to overheating.

If the engine coolant temperature increases further, the indicator light/warning light illuminates in **RED** continuously. At this time, the engine may be overheating.

When the indicator light/warning light blinks in **RED** or illuminates in **RED**, safely stop the vehicle as soon as possible, and refer to the emergency steps for the case of engine overheating" 9-12. After that, have the system checked by your nearest SUBARU dealer.

Also, if the indicator light/warning light often blinks in **RED**, the electrical system may be malfunctioning. Contact your SUBARU dealer for an inspection.

NOTE

If the engine is restarted after a certain driving condition, this indicator light/warning light may illuminate in RED. However, this is not a malfunction if the indicator light/warning light turns off after a short time.

■ Charge warning light



If this light illuminates when the engine is running, it may indicate that the charging system is not working properly.

If the light illuminates while driving or does not turn off after the engine starts, stop the engine at the first safe opportunity and check the alternator belt. If the belt is loose, broken or if the belt is in good condition but the light remains on, contact your nearest SUBARU dealer immediately.

■ Oil pressure warning light



If this light illuminates when the engine is running, it may indicate that the engine oil pressure is low and the lubricating system is not working properly.

If the light illuminates while driving or does not turn off after the engine starts, stop the engine at the first safe opportunity and check the engine oil level. If the oil level is low, add oil immediately. If the engine oil is at the proper level but the light remains on, contact your nearest SUBARU dealer immediately.



CAUTION

Do not operate the engine with the oil pressure warning light on. This may cause serious engine damage.

■ AT OIL TEMP warning light (AT models)

AT OIL TEMP

The AT oil temperature warning light "AT OIL TEMP" illuminates when the ignition switch is turned to the "ON" position and turns off after the engine has started.

If this light illuminates when the engine is running, it may indicate that the automatic transmission fluid temperature is too hot.

If the light illuminates while driving, immediately stop the vehicle in a safe place and let the engine idle until the warning light turns off.

▼ Automatic transmission control system warning

If the light flashes after the engine starts, it may indicate that the automatic transmission control system is not working properly. Contact your nearest SUBARU dealer for service immediately.

■ Low tire pressure warning light (U.S.-spec. models)

When the ignition switch is turned to the "ON" position, the low tire pressure warning light will illuminate for approximately 2 seconds to check that the tire pressure monitoring system (TPMS) is functioning properly. If there is no problem and all tires are properly inflated, the light will turn off. Each tire, including the spare (if provided), should be checked monthly when cold and inflated to the inflation pressure recommended by the vehicle manufacturer on the vehicle placard or tire inflation pressure label. (If your vehicle has tires of a different size than the size indicated on the vehicle placard or tire inflation pressure label, you should determine the proper inflation pressure for those tires.)

As an added safety feature, your vehicle has been equipped with a tire pressure monitoring system (TPMS) that illuminates a low tire pressure telltale when one or more of your tires is significantly under-inflated. Accordingly, when the low tire pressure telltale illuminates, you should stop and check your tires as soon as possible, and inflate them to the proper pressure. Driving on a significantly under-inflated tire causes the tire to overheat and

can lead to tire failure. Under-inflation also reduces fuel efficiency and tire tread life, and may affect the vehicle's handling and stopping ability.

Please note that the TPMS is not a substitute for proper tire maintenance, and it is the driver's responsibility to maintain correct tire pressure, even if under-inflation has not reached the level to trigger illumination of the TPMS low tire pressure telltale.

Your vehicle has also been equipped with a TPMS malfunction indicator to indicate when the system is not operating properly. The TPMS malfunction indicator is combined with the low tire pressure telltale. When the system detects a malfunction, the telltale will flash for approximately one minute and then remain continuously illuminated. This sequence will continue upon subsequent vehicle start-ups as long as the malfunction exists. When the malfunction indicator is illuminated, the system may not be able to detect or signal low tire pressure as intended. TPMS malfunctions may occur for a variety of reasons, including the installation of replacement or alternate tires or wheels on the vehicle that prevent the TPMS from functioning properly. Always check the TPMS malfunction telltale after replacing one or more tires or wheels on your

vehicle to ensure that the replacement or alternate tires and wheels allow the TPMS to continue to function properly.

Should the warning light illuminate steadily after blinking for approximately one minute, have the system inspected by your nearest SUBARU dealer as soon as possible.



WARNING

If this light does not illuminate briefly after the ignition switch is turned ON or the light illuminates steadily after blinking for approximately one minute, you should have your Tire Pressure Monitoring System checked at a SUBARU dealer as soon as possible.

If this light illuminates while driving, never brake suddenly and keep driving straight ahead while gradually reducing speed. Then slowly pull off the road to a safe place. Otherwise an accident involving serious vehicle damage and serious personal injury could occur.

If this light still illuminates while driving after adjusting the tire pressure, a tire may have significant damage and a fast leak that causes the tire to lose air rapidly. If you have

a flat tire, replace it with a spare tire as soon as possible.

When a spare tire is mounted or a wheel rim is replaced without the original pressure sensor/transmitter being transferred, the Low tire pressure warning light will illuminate steadily after blinking for approximately one minute. This indicates the TPMS is unable to monitor all four road wheels. Contact your SUBARU dealer as soon as possible for tire and sensor replacement and/or system resetting. If the light illuminates steadily after blinking for approximately one minute, promptly contact a SUBARU dealer to have the system inspected.

CAUTION

The tire pressure monitoring system is NOT a substitute for manually checking tire pressure. The tire pressure should be checked periodically (at least monthly) using a tire gauge. After any change to tire pressure(s), the tire pressure monitoring system will not re-check tire inflation pressures until the vehicle is first driven more than 20 mph (32 km/h). After adjusting the tire pres-

ures, increase the vehicle speed to at least 20 mph (32 km/h) to start the TPMS re-checking of the tire inflation pressures. If the tire pressures are now above the severe low pressure threshold, the low tire pressure warning light should turn off a few minutes later. Therefore, be sure to install the specified size for the front and rear tires.

■ ABS warning light

ABS (U.S.)
(C) (Canada)

The ABS warning light illuminates when the ignition switch is turned to the "ON" position and turns off after approximately 2 seconds.

This is an indication that the ABS system is working properly.

CAUTION

If the warning light behaves as follows, the ABS system may not work properly.

When the warning light is on, the ABS function shuts down; however, the conventional brake system continues to operate normally.

- The warning light does not illuminate when the ignition switch is turned to the "ON" position.

- The warning light illuminates when the ignition switch is turned to the "ON" position, but it does not turn off even when the vehicle speed exceeds approximately 8 mph (12 km/h).
- The warning light illuminates during driving.

If any of these conditions occur, have the ABS system repaired at the first available opportunity by your SUBARU dealer.

With a vehicle equipped with an EBD system, the ABS warning light illuminates together with the brake system warning light if the EBD system becomes faulty. For further details of the EBD system fault warning, refer to "Brake system warning light" 3-17.

NOTE

If the warning light behavior is as described in the following, the ABS system may be considered normal.

- The warning light illuminates right after the engine is started but turns off immediately, remaining off.
- The warning light remains on after the engine has been started, but it turns off when the vehicle speed reaches approximately 8 mph (12

km/h).

- **The warning light illuminates during driving, but it turns off immediately and remains off.**

When driving with an insufficient battery voltage such as when the engine is jump started, the ABS warning light may illuminate. This is due to the low battery voltage and does not indicate a malfunction. When the battery becomes fully charged, the light will turn off.

■ Brake system warning light BRAKE (U.S.) (C) (Canada)

WARNING

- **Driving with the brake system warning light on is dangerous. This indicates your brake system may not be working properly. If the light remains on, have the brakes inspected by a SUBARU dealer immediately.**
- **If at all in doubt about whether the brakes are operating properly, do not drive the vehicle. Have your vehicle towed to the nearest SUBARU dealer for repair.**

This light has the following three functions.

▼ Parking brake warning

The light illuminates with the parking brake applied while the ignition switch is in the "ON" position. It turns off when the parking brake is fully released.

▼ Brake fluid level warning

This light illuminates when the brake fluid level has dropped to near the "MIN" level of the brake fluid reservoir with the ignition switch in the "ON" position and with the parking brake fully released.

If the brake system warning light should illuminate while driving (with the parking brake fully released and with the ignition switch positioned in "ON"), it could be an indication of leaking of brake fluid or worn brake pads. If this occurs, immediately stop the vehicle at the nearest safe place and check the brake fluid level. If the fluid level is below the "MIN" mark in the reservoir, do not drive the vehicle. Have the vehicle towed to the nearest SUBARU dealer for repair.

▼ Electronic Brake Force Distribution (EBD) system warning

The brake system warning light also illuminates if a malfunction occurs in the EBD system. In that event, it illuminates together with the ABS warning light.

The EBD system may be malfunctioning if

the brake system warning light and ABS warning light illuminate simultaneously during driving.

Even if the EBD system fails, the conventional braking system will still function. However, the rear wheels will be more prone to locking when the brakes are applied harder than usual and the vehicle's motion may therefore become somewhat harder to control.

If the brake system warning light and ABS warning light illuminate simultaneously, take the following steps.

1. Stop the vehicle in the nearest safe, flat place.
2. Shut down the engine, apply the parking brake and then restart it.
3. Release the parking brake. If both warning lights turn off, the EBD system may be faulty. Drive carefully to the nearest SUBARU dealer and have the system inspected.
4. If both warning lights illuminate again and stay illuminated after the engine has been restarted, shut down the engine again, apply the parking brake, and check the brake fluid level.
5. If the brake fluid level is not below the "MIN" mark, the EBD system may be faulty. Drive carefully to the nearest SUBARU dealer and have the system inspected.

6. If the brake fluid level is below the "MIN" mark, DO NOT drive the vehicle. Instead, have the vehicle towed to the nearest SUBARU dealer for repair.

■ Low fuel warning light 

The low fuel warning light illuminates when the tank is nearly empty approximately 2.6 US gal (10.0 liters, or 2.2 Imp gal). It only operates when the ignition switch is in the "ON" position. When this light illuminates, fill the fuel tank immediately.

NOTE

This light does not turn off unless the tank is replenished up to an internal fuel quantity of approximately 3.7 US gal (14 liters, 3.1 Imp gal).

 **CAUTION**


Promptly put fuel in the tank whenever the low fuel warning light illuminates. Engine misfires as a result of an empty tank could cause damage to the engine.

■ Hill start assist warning light (MT models) 

When the ignition switch is in the "ON" position, the Hill start assist warning light illuminates and turns off after approximately 2 seconds. While the engine is rotating, if there are any malfunctions, the light will illuminate.

 **WARNING**

When the Hill start assist system light illuminates, have the vehicle inspected at an authorized SUBARU dealer.

■ Door open warning light 

The door open warning light illuminates if any door or the rear gate is not fully closed.

Always make sure this light is out before you start to drive.

■ All-Wheel Drive warning light (AT models) **AWD**

The All-Wheel Drive warning light illuminates when the ignition switch is turned to the "ON" position and turns off after the


engine has started.

This light illuminates when All-Wheel Drive is disengaged and the drive mechanism is switched to Front Wheel Drive for maintenance or similar purposes.

It flashes if the vehicle is driven with tires of differing diameters fitted on the wheels or with an excessively low air pressure in any of the tires.

 **CAUTION**

Continuing to drive with the AWD warning light flashing can damage the powertrain. If the AWD warning light starts to flash, promptly park in a safe place and check whether the tires have differing diameters and whether any of the tires has an excessively low inflation pressure.

■ Automatic headlight beam leveler warning light (models with HID headlights) 

The automatic headlight beam leveler warning light illuminates when the ignition switch is turned to the "ON" position and turns off after approximately 3 seconds.

This light illuminates when the automatic headlight beam leveler does not operate

normally.

If this light illuminates while driving or does not turn off approximately 3 seconds after turning the ignition switch to the "ON" position, have your vehicle inspected at your SUBARU dealer.

■ Vehicle Dynamics Control operation indicator light



This light illuminates when the ignition switch is ON and turns off approximately 2 seconds later.

It blinks when the skid suppression function is activated. It illuminates when only the traction control function is operating.

The Vehicle Dynamics Control system is probably malfunctioning under any of the following conditions. Have your vehicle checked at a SUBARU dealer immediately.

- The light does not illuminate when the ignition switch is turned to the "ON" position.
- The light does not turn off even after a period of approximately 2 seconds after the ignition switch has been turned to the "ON" position.

■ Vehicle Dynamics Control warning light/ Vehicle Dynamics Control OFF indicator light



This warning light has both the function of indicating malfunctions in the Vehicle Dynamics Control system and the function of indicating that the Vehicle Dynamics Control system has been deactivated.

It illuminates in the event of a malfunction in the system and is on when the system is not operating.

This warning light illuminates when the ignition switch is turned to the "ON" position and turns off several seconds after the engine has started. It indicates that the Vehicle Dynamics Control system is in normal operation.

▼ Vehicle Dynamics Control warning light

The Vehicle Dynamics Control system is probably inoperative under any of the following conditions. Have your vehicle checked at a SUBARU dealer immediately.

- The warning light does not illuminate when the ignition switch is turned to the "ON" position.
- The warning light illuminates while the vehicle is running.

- If the electrical circuit of the Vehicle Dynamics Control system itself becomes faulty, the warning light only illuminates. At this time, the ABS (Anti-lock Brake System) remains fully operational.

- The warning light illuminates when the electronic control system of the ABS/ Vehicle Dynamics Control system malfunctions.

The Vehicle Dynamics Control system provides its ABS control through the electrical circuit of the ABS system. Accordingly, if the ABS is inoperative, the Vehicle Dynamics Control system becomes unable to provide ABS control. As a result, the Vehicle Dynamics Control system also becomes inoperative, causing the warning light to illuminate. Though both the Vehicle Dynamics Control and ABS systems are inoperative in this case, the ordinary functions of the brake system are still available. You will be safe while driving with this condition, but have your vehicle checked at a SUBARU dealer as soon as possible.

NOTE

If the warning light behavior is as described below, the Vehicle Dynamics Control system may be considered normal.

- The warning light illuminates right

after the engine is started but turns off immediately, remaining off.

- The warning light illuminates after engine startup and turns off while the vehicle is subsequently being driven.
- The warning light illuminates during driving, but it turns off immediately and remains off.

▼ Vehicle Dynamics Control OFF indicator light

- It illuminates when the Vehicle Dynamics Control OFF switch is pressed.
- It also illuminates when the Vehicle Dynamics Control system is deactivated.

NOTE

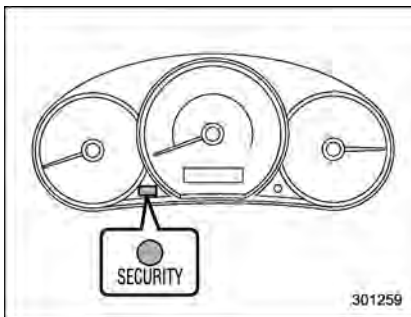
- The light may remain on for a while after the engine has been started, especially in cold weather. This does not indicate the existence of a problem. The light should turn off as soon as the engine has warmed up.
- The indicator light illuminates when the engine has developed a problem and the CHECK ENGINE warning light/malfunction indicator lamp is on.

The Vehicle Dynamics Control system is probably faulty under the following condition. Have your vehicle checked at a SUBARU dealer as soon as possible.

- The light does not turn off even after

the lapse of several minutes (the engine has warmed up) after the engine has started.

■ Security indicator light



The security indicator light deters potential thieves by indicating that the vehicle is equipped with an immobilizer system. It begins flashing (approximately once every 3 seconds) approximately 60 seconds after the ignition switch is turned from the "ON" position to the "Acc" or "LOCK" position or immediately after the key is pulled out.

If the security indicator light does not flash, the immobilizer system may not be functioning properly. If this occurs, contact your SUBARU dealer as soon as possible.

In case an unauthorized key is used (e.g., an imitation key), the security indicator light illuminates.

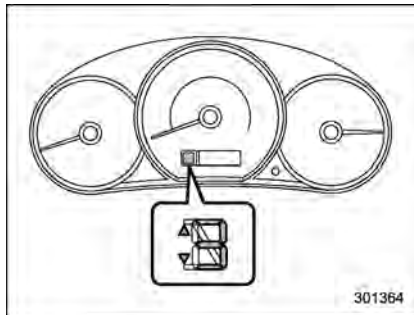
NOTE

Even if the security indicator light flashes irregularly or its fuse blows (the light does not flash if its fuse is blown), the immobilizer system will function normally.

■ SPORT mode indicator light (AT models)

This light illuminates when the ignition switch is turned to the "ON" position and turns off after the engine has started. When the selector lever is moved to the manual gate, the SPORT mode is selected and the indicator light illuminates. Refer to "SPORT mode" 7-21.

■ Selector lever and gear position indicator (AT models)



This indicator shows the position of the selector lever.

When the manual mode is selected, the gear position indicator (which shows the current gear selection) and the upshift/downshift indicator light up. Refer to "Automatic transmission" 7-16.

■ Turn signal indicator lights ← →

These lights show the operation of the turn signal or lane change signal.

If the indicator lights do not blink or blink rapidly, the turn signal bulb may be burned out. Replace the bulb as soon as possible. Refer to "Replacing bulbs" 11-47.

■ High beam indicator light

This light shows that the headlights are in the high beam mode.

This indicator light also illuminates when the headlight flasher is operated.

■ Cruise control indicator light CRUISE

The cruise control indicator light illuminates when the ignition switch is turned to the "ON" position and turns off after approximately 3 seconds.

This light illuminates when the "CRUISE" main switch is pressed.

If you press the main switch button while turning the ignition switch "ON", the cruise control function is deactivated and the "CRUISE" indicator light flashes. To reactivate the cruise control function, turn the ignition switch back to the "Acc" or "LOCK" position, and then turn it again to the "ON" position.

■ Cruise control set indicator light SET

The cruise control set indicator light illuminates when the ignition switch is turned to the "ON" position and turns off after approximately 3 seconds.

This light illuminates when vehicle speed has been set.

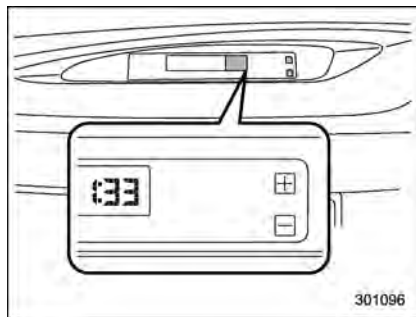
■ Front fog light indicator light (if equipped)

This indicator light is on while the front fog lights are on.

■ Headlight indicator light

This indicator light illuminates when the headlight switch is placed in the "D" or "D" position.

Clock



The clock shows the time while the ignition switch is in the "Acc" or "ON" position.

The time changes by 1 minute each time the "+" button or "-" button is pressed. Pressing the "+" button moves the displayed time forward, while pressing the "-" button moves the displayed time back. Pressing and holding either button changes the displayed time continuously.

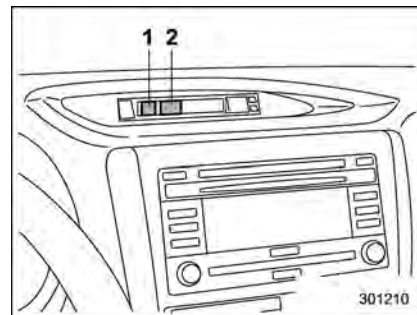
CAUTION

To ensure safety, do not attempt to set the time while driving, as an accident from inadequate attention to the road could result.

NOTE

If the battery is disconnected, the time will be erased. After reconnecting the battery, set the correct time.

Information display



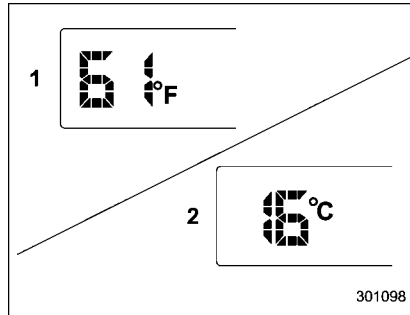
- 1) Outside temperature indicator
- 2) Fuel consumption indicator

With the ignition switch in the "ON" position, the outside temperature and fuel consumption are indicated on the display.

The fuel consumption display is linked with the odometer/trip meter display according to the following chart.

Odometer/Trip meter	Fuel consumption indicator
A trip meter	Average fuel consumption corresponding to the A trip meter
B trip meter	Average fuel consumption corresponding to the B trip meter
Odometer	U.S.-spec. models: Not indicated
	Other models: Current fuel consumption

■ Outside temperature indicator



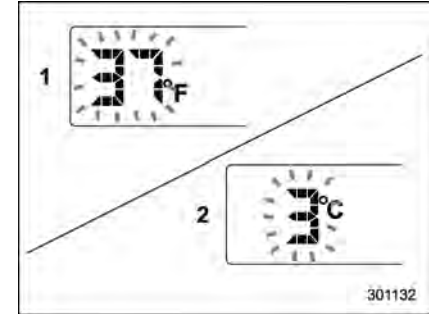
- 1) U.S.-spec. models
- 2) Except U.S.-spec. models

The outside temperature indicator shows the outside temperature in a range from -22 to 122°F (-30 to 50°C).

The indicator can give a false reading under any of the following conditions:

- When there is too much sun.
- During idling; while running at low speeds in a traffic jam; when the engine is restarted immediately following a shut-down.
- When the actual outside temperature falls outside the specified indicator range.

▼ Road surface freeze warning indication



- 1) U.S.-spec. models
- 2) Except U.S.-spec. models

When the outside temperature drops to 37°F (3°C) or lower, the temperature indication flashes to show that the road surface may be frozen.

If the outside temperature drops to 37°F (3°C) or lower while the display is giving an indication other than the outside temperature, the display switches to the outside temperature indication and flashes for 5 seconds before returning to its original indication.

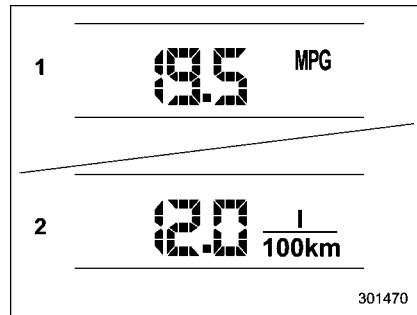
If the display is already indicating an outside temperature of 37°F (3°C) or lower when the ignition switch is turned to the

“ON” position, the indication does not flash.

NOTE

The outside temperature indication may differ from the actual outside temperature. The road surface freeze warning indication should be treated only as a guide. Be sure to check the condition of the road surface before driving.

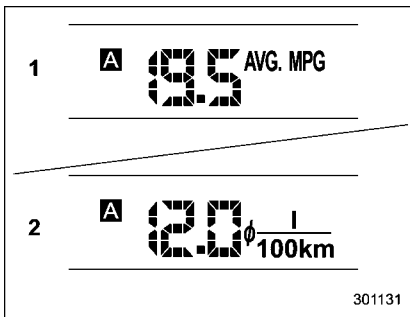
■ Current fuel consumption (if equipped)



- 1) U.S.-spec. models
- 2) Except U.S.-spec. models

This indication shows the rate of fuel consumption at the present moment.

■ Average fuel consumption



- 1) U.S.-spec. models
- 2) Except U.S.-spec. models

This indication shows the average rate of fuel consumption since the trip meter was last reset.

When either of the trip meter indications is reset, the corresponding average fuel consumption value is also reset.

NOTE

- The indicated values vary in accordance with changes in the vehicle’s running conditions. Also, the indicated values may differ slightly from the actual values and should thus be treated only as a guide.
- When either trip meter indication is

reset, the average fuel consumption corresponding to that trip meter indication is not shown until the vehicle has subsequently covered a distance of 1 mile (or 1 km).

■ To turn off fuel consumption indicator display

The fuel consumption indicator display can be turned off.

To turn off this display, turn the ignition switch to the “LOCK” position and press the “+” button adjacent to the information display for approximately 5 seconds. Then, the information display and the clock display will blink for 3 seconds to notify you that the fuel consumption display has been turned off.

To restore the indicator, once again press the “+” button for approximately 5 seconds.

NOTE

- The initial display setting of the fuel consumption indicator of your vehicle has been set to operational at the time of shipment from the factory.
- The average fuel consumption is calculated even while the indicator is not displayed.
- Even if you turn off the fuel consumption indicator, the fuel consumption

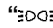
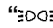
tion indicator will automatically turn on when the battery voltage is disconnected and then reconnected for battery replacement or fuse replacement.

Light control switch

The light control switch only operates when the ignition key is inserted into the ignition switch.

Regardless of the position of the light control switch, the illuminated lights are turned off when the ignition key is removed from the ignition switch.

NOTE

- Even if the ignition key is removed from the ignition switch, the lights can be illuminated by operating the light control switch position from “OFF” to “” and/or “”.
- If the driver’s door is opened while the lights are illuminated and the ignition key is removed from the ignition switch, the chirp sound informs the driver that the lights are illuminated.

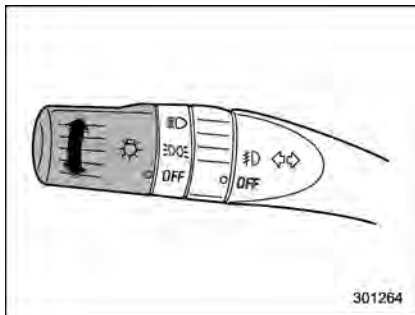


CAUTION

- Use of any lights for a long period of time while the engine is not running can cause the battery to discharge.
- Before leaving the vehicle, make sure that the light control switch is turned to the “OFF” position. If the vehicle is left unattended for

a long time with the light control switch set to a position other than “OFF”, the battery may be discharged.

■ Headlights



To turn on the headlights, turn the knob on the end of the turn signal lever.

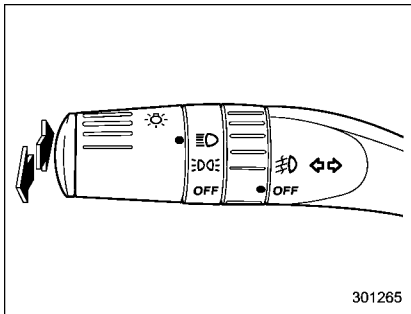
☀️ first position

Instrument panel illumination, tail lights, front side marker lights and license plate lights are on.

☰ second position

Headlights, instrument panel illumination, tail lights, front side marker lights, and license plate lights are on.

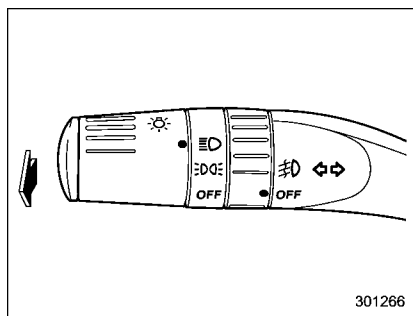
■ High/low beam change (dimmer)



To change from low beam to high beam, push the turn signal lever forward. When the headlights are on high beam, the high beam indicator light "☰" on the combination meter is also on.

To switch back to low beam, pull the lever back to the detent position.

■ Headlight flasher



To flash the headlights, pull the lever toward you and then release it. The high beam will remain on for as long as you hold the lever. The headlight flasher works even though the light switch is in the "OFF" position.


When the headlights are on high beam, the high beam indicator light "☰" on the combination meter also illuminates.

▲ CAUTION


Do not hold the lever in the flashing position for more than just a few seconds.

■ Daytime running light system (if equipped)


WARNING

The brightness of the illumination of the high beam headlights is reduced by the daytime running light system. The light switch must always be turned to the “ ” position when it is dark outside.

The high beam headlights will automatically illuminate at reduced brightness when the engine has started, under the following conditions:

- The selector lever is in a position other than the “P” position (AT models).
- The parking brake is fully released.
- The light switch is in the “OFF” or “ ” position.

NOTE

When the light switch is in the “ ” position, the front side marker lights, tail lights and license plate lights are also illuminated.

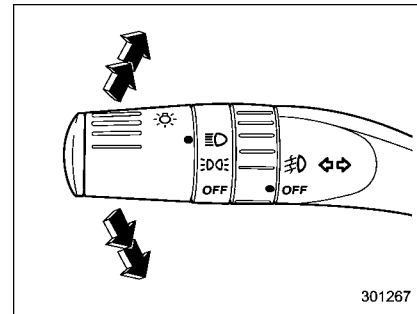
■ Automatic headlight beam leveler (models with HID headlights)

The HID headlights generate more light than conventional halogen headlights.

Therefore a driver of an oncoming vehicle may experience too much glare when your headlight beam height adjustment is high due to the vehicle carrying heavy load.

The automatic headlight beam leveler adjusts the headlight beam height automatically and optimally according to the load being carried by the vehicle.

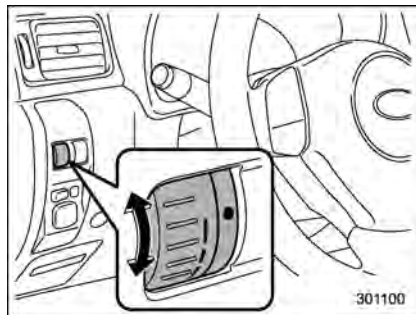
Turn signal lever



To activate the right turn signal, push the turn signal lever up. To activate the left turn signal, push the turn signal lever down. When the turn is finished, the lever will return automatically. If the lever does not return after cornering, return the lever to the neutral position by hand.

To signal a lane change, push the turn signal lever up or down slightly and hold it during the lane change. The turn signal indicator lights will flash in the direction of the turn or lane change. The lever will return automatically to the neutral position when you release it.

Illumination brightness control



The brightness of clock display, audio, air conditioner, information display and instrument panel illumination dims when the light switch is in the “ ☉ ” or “ ☽ ” positions. You can adjust brightness of the instrument panel illumination for better visibility.

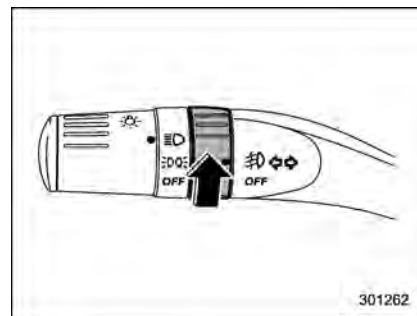
To brighten, turn the control dial upward.
To darken, turn the control dial downward.

NOTE

When the control dial is turned fully upward, the illumination brightness becomes the maximum and the automatic dimming function does not work

at all.

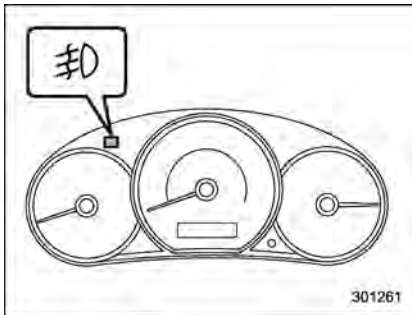
Front fog light switch (if equipped)



The front fog lights operate only when the low beam headlights are illuminated.

However, the front fog lights turn off when the headlights are switched to high beam.

To turn on the front fog lights, turn the front fog light switch on the turn signal lever upward to the “ ☉ ” position. To turn off the front fog lights, turn the switch back down to the “OFF” position.



The indicator light located on the combination meter will illuminate when the front fog lights are on.

Wiper and washer

⚠ WARNING

In freezing weather, do not use the windshield washer until the windshield is sufficiently warmed by the defroster.

Otherwise the washer fluid can freeze on the windshield, blocking your view.

⚠ CAUTION

- Do not operate the washer continuously for more than 10 seconds, or when the washer fluid tank is empty. This may cause overheating of the washer motor. Check the washer fluid level frequently, such as at fuel stops.
- Do not operate the wipers when the windshield or rear window is dry. This may scratch the glass, damage the wiper blades and cause the wiper motor to burn out. Before operating the wiper on a dry windshield or rear window, always use the windshield washer.

- In freezing weather, be sure that the wiper blades are not frozen to the windshield or rear window before switching on the wipers. Attempting to operate the wiper with the blades frozen to the window glass could cause not only the wiper blades to be damaged but also the wiper motor to burn out. If the wiper blades are frozen to the window glass, be sure to operate the defroster, windshield wiper deicer (if equipped) or rear window defogger before turning on the wiper.
- If the wipers stop during operation because of ice or some other obstruction on the window, the wiper motor could burn out even if the wiper switch is turned off. If this occurs, promptly stop the vehicle in a safe place, turn the ignition switch to the "LOCK" position and clean the window glass to allow proper wiper operation.
- Use clean water if windshield washer fluid is unavailable. In areas where water freezes in winter, use SUBARU Windshield Washer Fluid or the equivalent.

Refer to “Windshield washer fluid” 11-39.

Also, when driving the vehicle when there are freezing temperatures, use non-freezing type wiper blades.

- Do not clean the wiper blades with gasoline or a solvent, such as paint thinner or benzine. This will cause deterioration of the wiper blades.

NOTE

- The wiper operates only when the ignition switch is in the “ON” or “Acc” position.
- The front wiper motor is protected against overloads by a circuit breaker. If the motor operates continuously under an unusually heavy load, the circuit breaker may trip to stop the motor temporarily. If this happens, park your vehicle in a safe place, turn off the wiper switch, and wait for approximately 10 minutes. The circuit breaker will reset itself, and the wipers will again operate normally.
- Clean your wiper blades and window glass periodically with a washer solution to prevent streaking, and to remove accumulations of road salt or

road film. Keep the washer button depressed at least for 1 second so that washer solution will be sprinkled all over the windshield or rear window.

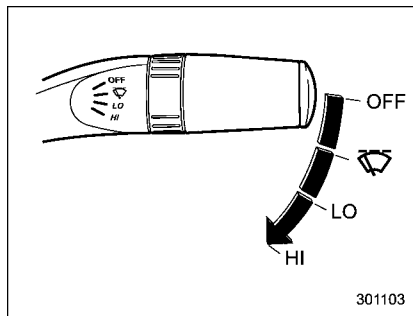
- Grease, wax, insects or other material on the windshield or the wiper blade results in jerky wiper operation and streaking on the glass. If you cannot remove those streaks after operating the washer or if the wiper operation is jerky, clean the outer surface of the windshield or rear window and the wiper blades using a sponge or soft cloth with a neutral detergent or mild-abrasive cleaner. After cleaning, rinse the window glass and wiper blades with clean water. The glass is clean if no beads form on the glass when you rinse with water.

- If you cannot eliminate the streaking even after following this procedure, replace the wiper blades with new ones. For replacement instructions, refer to “Replacement of wiper blades” 11-40.

■ Windshield wiper and washer switches

The wiper operates only when the ignition switch is in the “ON” or “Acc” position.

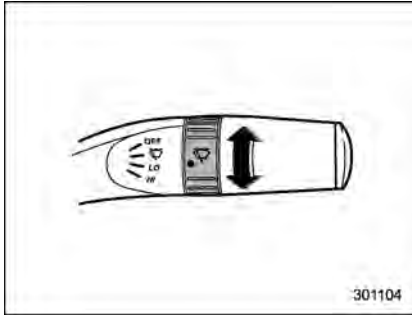
▼ Windshield wipers




OFF: Off
 Intermittent
 LO: Low speed
 HI: High speed

To turn the wipers on, push the wiper control lever down.

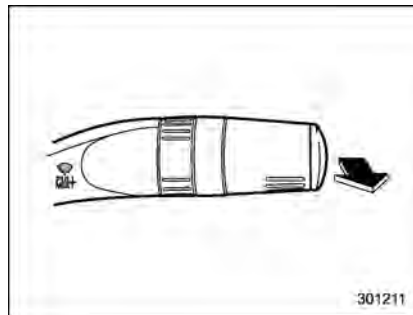
To turn the wipers off, return the lever to the “OFF” position.

▼ **Wiper intermittent time control**

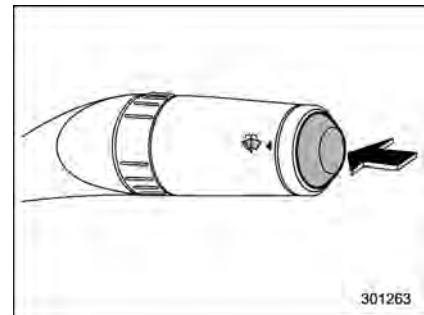
When the wiper switch is in the “” position, turn the dial to adjust the operating interval of the wiper.

The operating interval can be adjusted continuously from the shortest interval to the longest.

The operating interval can be adjusted in nine steps.

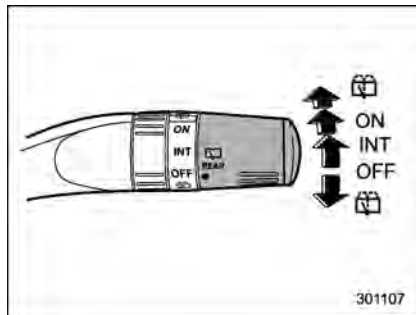
▼ **Mist (for a single wipe)**

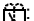
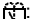
For a single wipe of the wipers, pull the lever toward you. The wipers operate until you release the lever.

▼ **Washer**

To wash the windshield, push the washer button at the end of the wiper control lever. The washer fluid sprays until you release the washer button. The wipers operate while you push the button.

■ Rear window wiper and washer switch



-  Washer (accompanied by wiper operation)
 ON: Continuous
 INT: Intermittent
 OFF: Off
 Washer

▼ Rear wiper


To turn the rear wiper on, turn the knob on the end of the wiper control lever upward to the “INT” or “ON” position.


To turn the wiper off, return the knob on the end of the lever to the “OFF” position. With the switch turned to the “INT” position, the rear wiper will operate intermittently at intervals corresponding to the vehicle speed (longer when the vehicle speed is low; shorter when the vehicle

speed is high).

When the transmission is shifted into reverse, the rear wiper will switch to continuous operation. When the transmission is shifted to a position other than reverse, the rear wiper will return to intermittent operation.

▼ Washer

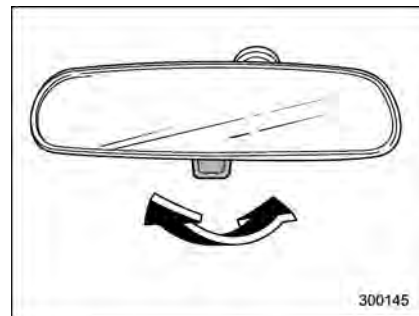
To wash the rear window while the rear wiper is operating, turn the knob clockwise to the “” position. The washer fluid sprays until you release the knob.

To wash the rear window when the rear wiper is not in use, turn the knob counterclockwise to the “” position. The washer fluid sprays, and 2 seconds later the rear wiper operates. Releasing the knob stops the washer fluid spray, and 3 seconds later the rear wiper stops.

Mirrors

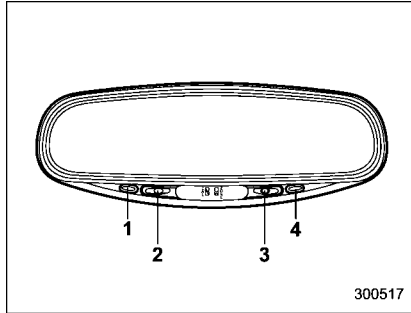
Always check that the inside and outside mirrors are properly adjusted before you start driving.

■ Inside mirror



The inside mirror has a day and night position. Pull the tab at the bottom of the mirror toward you for the night position. Push it away for the day position. The night position reduces glare from headlights.

▼ Auto-dimming mirror/compass (if equipped)



- 1) Left button
- 2) Auto dimming indicator
- 3) Photosensor
- 4) Right button

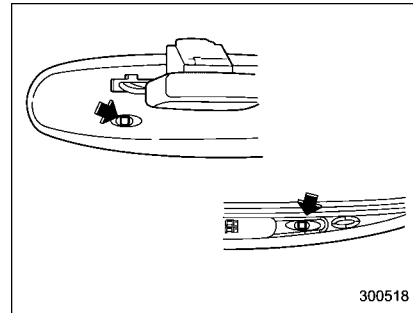
The auto-dimming mirror has an anti-glare feature which automatically reduces glare coming from headlights of vehicles behind you. It also contains a built-in compass.

- By pressing and releasing the left button, the automatic dimming function is toggled on or off. When the automatic dimming function is on, the auto dimming indicator light (green) located to the right of the button will illuminate.
- By pressing and releasing the right button, the compass display is toggled on or off. When the compass is on, an

illuminated compass reading will appear in the lower part of the mirror.

Even with the mirror in anti-glare mode, the mirror surface turns bright if the transmission is shifted into reverse. This is to ensure good rearward visibility during reversing.

▼ Photosensors



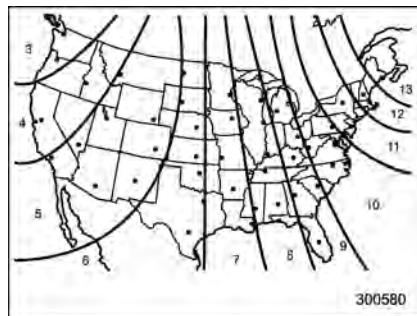
The mirror has a photosensor attached on both the front and back sides. If the glare from the headlights of vehicles behind you strikes the mirror, these sensors detect it and make the reflection surface of the mirror dimmer to help prevent you from being blinded. For this reason, use care not to cover the sensors with stickers, or other similar items. Periodically wipe the sensors clean using a piece of dry soft

cotton cloth or an applicator.

▼ Compass calibration

1. For optimum calibration, switch off all nonessential electrical accessories (rear window defogger, heater/air conditioning system, spotlight, etc.) and ensure all doors are shut.
2. Drive to an open, level area away from large metallic objects or structures and make certain the ignition switch is in the "ON" position.
3. Press and hold the left button for 3 seconds then release, and the compass will enter the calibration mode. "CAL" and direction will be displayed.
4. Drive slowly in a circle until "CAL" disappears from the display (approximately two or three circles). The compass is now calibrated.
5. Further calibration may be necessary should outside influences cause the mirror to read inaccurately. You will know that this has occurred if your compass begins to read in only limited directions. Should you encounter this situation, return to step one of the above procedure and recalibrate the mirror.

▽ **Compass zone adjustment**

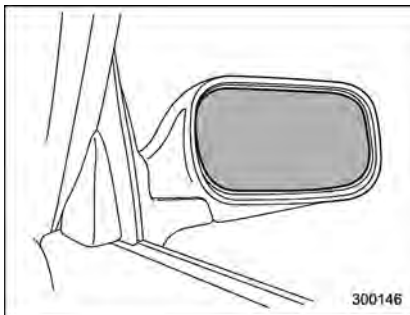


Compass calibration zones

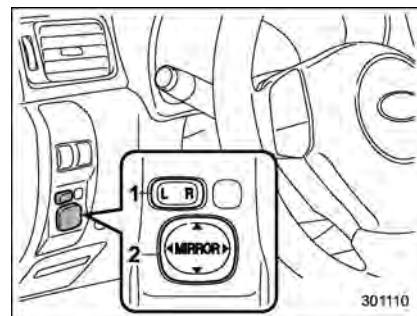
1. The zone setting is factory preset to Zone 8. Refer to the “Compass calibration zone” map shown above or one attached to the end of this manual to verify that the compass zone setting is correct for your geographical location.
2. Press and hold the right button for 3 seconds then release, and the word “ZONE” will briefly appear and then the zone number will be displayed.
3. Press the right-hand button repeatedly to cycle the display through all possible zone settings. Stop cycling when the correct zone setting for your location is displayed.

4. Releasing the button for 3 seconds will exit the zone setting mode.

■ **Outside mirrors**



▼ **Remote control mirror switch**



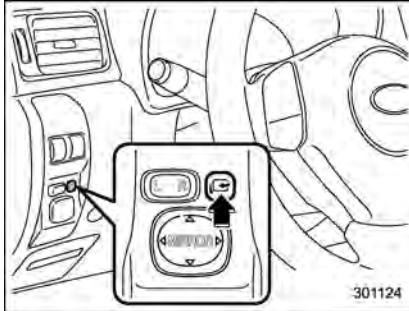
- 1) Selection switch
- 2) Direction control switch

The remote control mirrors operate only when the ignition switch is in the “ON” or “Acc” position.

1. Press either end of the selection switch, “L” for the left, “R” for the right.
2. Move the direction control switch in the direction you want to move the mirror.
3. Return the selection switch to the neutral position to prevent unintentional operation.

The mirrors can also be adjusted manually.

▼ **Power folding mirror switch (if equipped)**



The power folding mirror switch operates only when the ignition switch is in the "ON" or "Acc" position.

To fold the outside mirrors, push the power folding mirror switch. To unfold the mirrors, push the switch again.

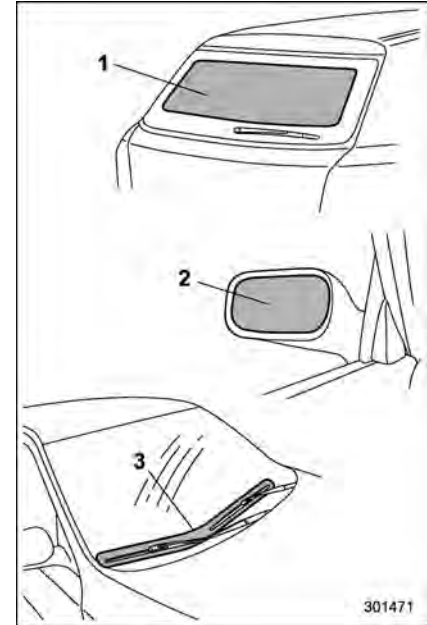
NOTE

- When the temperature is low, the outside mirrors may stop during operation. Push the switch again. When the outside mirrors do not work by switch operation, move them several times by manually. This makes it possible to operate them by switch operation.
- When you operate the power folding mirror switch continuously, it may not

work. This is not a malfunction. Operate after waiting for a short period of time.

- When you unfold the outside mirrors manually, the mirrors may become wobbly. Be sure to unfold the mirrors by switch operation. If the outside mirrors are still wobbly, fold the mirrors again and then unfold them by switch operation.

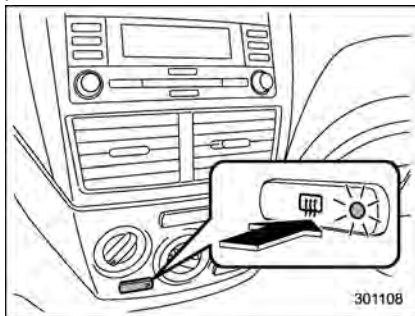
Defogger and deicer



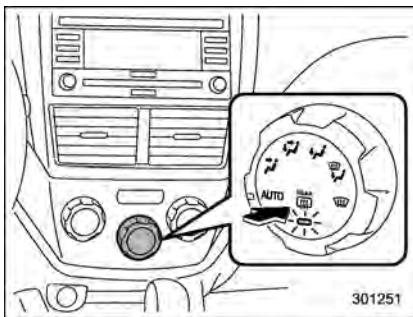
- 1) Rear window defogger
- 2) Outside mirror defogger (if equipped)
- 3) Windshield wiper deicer (if equipped)

The vehicle is equipped with a rear

window defogger. For some models, the outside mirror defogger and/or windshield wiper deicer are/is also equipped. The defogger and deicer system is activated only when the ignition switch is in the "ON" position.



Manual climate control system



Automatic climate control system

To activate the defogger and deicer system, push the control switch that is located on the climate control panel. The rear window defogger, outside mirror defogger and windshield wiper deicer are activated simultaneously. The indicator light on the control switch illuminates while the defogger and deicer system is activated.

To turn them off, push the control switch again. They also turn off when the ignition switch is turned to the "Acc" or "LOCK" position.

The defogger and deicer system will automatically shut off after approximately 15 minutes. If the rear window and the outside mirrors have been cleared and the

windshield wiper blades have been deiced completely before that time, push the control switch to turn them off. If defrosting, defogging or deicing is not complete, you have to push the control switch to turn them on again.

For models with the automatic climate control system, it is possible to set the defogger and deicer system for the continuous operation mode as follows.

- **Models with genuine SUBARU navigation system:**

The defogger and deicer system setting can be changed for continuous operation using the navigation monitor. For details, refer to the Owner's Manual supplement for the navigation system.

The setting can also be changed by a SUBARU dealer. Contact your SUBARU dealer for details.

- **Models without genuine SUBARU navigation system:**

The setting can be changed by a SUBARU dealer. Contact your SUBARU dealer for details.

If the battery voltage drops below the permissible level, continuous operation of the defogger and deicer system is canceled and the system stops operating.

CAUTION

- To prevent the battery from being discharged, do not operate the defogger and deicer system continuously for any longer than necessary.
- Do not use sharp instruments or window cleaner containing abrasives to clean the inner surface of the rear window. They may damage the conductors printed on the window.

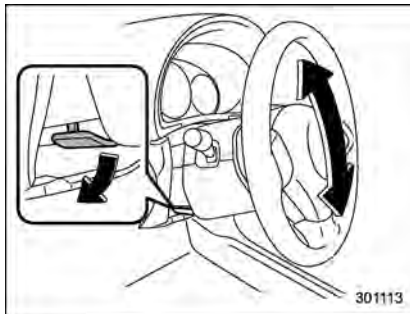
NOTE

- Turn on the defogger and deicer system if the wipers are frozen to the windshield.
- If the windshield is covered with snow, remove the snow so that the windshield wiper deicer works effectively.
- While the defogger and deicer system is in the continuous operation mode, if the vehicle speed remains at 9 mph (15 km/h) or less for 15 minutes, the windshield wiper deicer automatically stops operating, though the rear window defogger and outside mirror defogger maintain continuous operation in this condition.

Tilt steering wheel (if equipped)

WARNING

- Do not adjust the steering wheel tilt position while driving. This may cause loss of vehicle control and result in personal injury.
- If the lever cannot be raised to the fixed position, adjust the steering wheel again. It is dangerous to drive without locking the steering wheel. This may cause loss of vehicle control and result in personal injury.



1. Adjust the seat position. Refer to

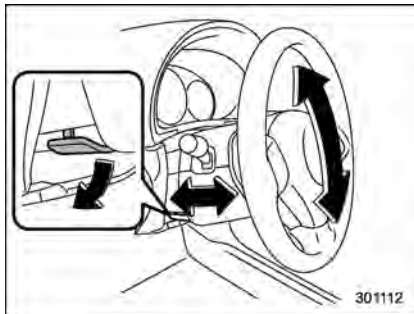
“Front seats” 1-2.


2. Pull the tilt lock lever down.
3. Move the steering wheel to the desired level.
4. Pull the lever up to lock the steering wheel in place.
5. Make sure that the steering wheel is securely locked by moving it up and down.

Tilt/telescopic steering wheel (if equipped)

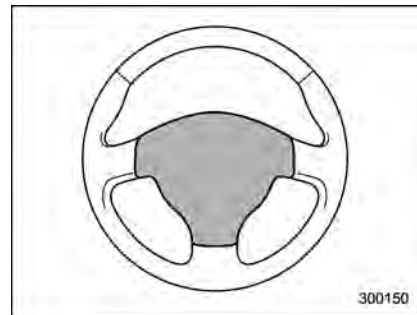
 **WARNING**

- Do not adjust the steering wheel tilt/telescopic position while driving. This may cause loss of vehicle control and result in personal injury.
- If the lever cannot be raised to the fixed position, adjust the steering wheel again. It is dangerous to drive without locking the steering wheel. This may cause loss of vehicle control and result in personal injury.



1. Adjust the seat position. Refer to "Front seats"  1-2.
2. Pull the tilt/telescopic lock lever down.
3. Move the steering wheel to the desired level.
4. Pull the lever up to lock the steering wheel in place.
5. Make sure that the steering wheel is securely locked by moving it up and down, and forward and backward.

Horn

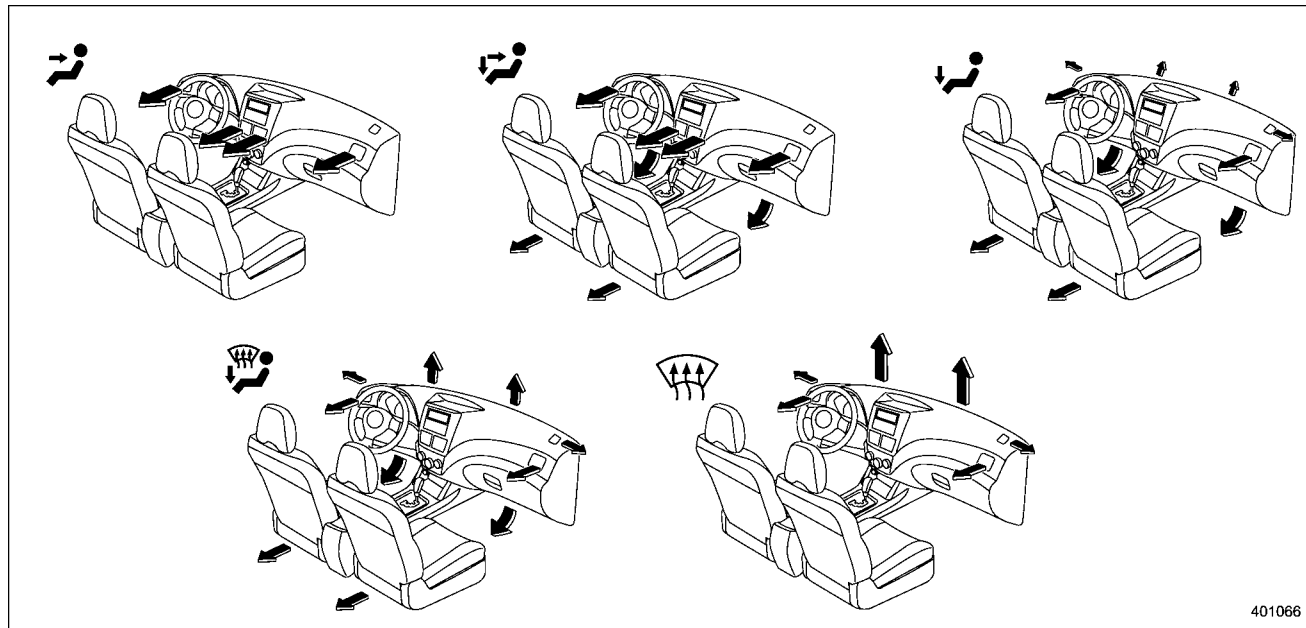


To sound the horn, push the horn pad.

Ventilator.....	4-2	Air conditioner button.....	4-10
Air flow selection	4-2	Temperature sensors	4-11
Center and side ventilators.....	4-3	Operating tips for heater and air	
Manual climate control system		conditioner	4-12
(if equipped)	4-3	Cleaning ventilation grille.....	4-12
Control panel	4-3	Efficient cooling after parking in direct	
Heater operation	4-5	sunlight.....	4-12
Air conditioner operation.....	4-7	Lubrication oil circulation in the refrigerant	
Automatic climate control system		circuit.....	4-12
(if equipped)	4-8	Checking air conditioning system before summer	
Control panel	4-8	season	4-12
To use as full-automatic climate control		Cooling and dehumidifying in high humidity and	
system.....	4-8	low temperature weather conditions	4-12
To use as semi-automatic climate control		Air conditioner compressor shut-off when engine	
system.....	4-8	is heavily loaded.....	4-12
Fan speed control dial.....	4-9	Refrigerant for your climate control system.....	4-12
Temperature control dial.....	4-9	Air filtration system	4-13
Air flow control dial.....	4-9	Replacing an air filter.....	4-13
Air inlet selection button	4-10		

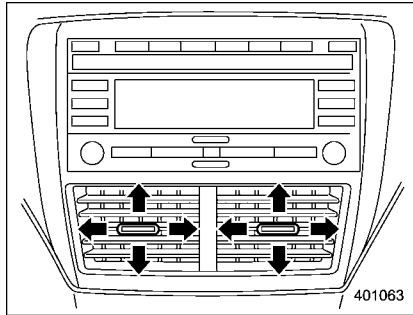
Ventilator

■ Air flow selection



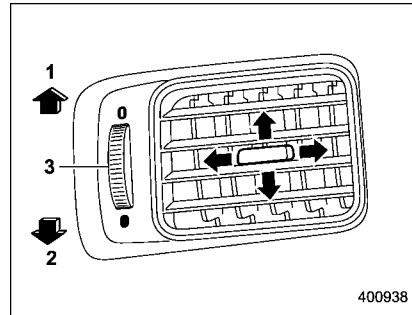
■ Center and side ventilators

▼ Center ventilators



Move the tab up and down or right and left to adjust the flow direction.

▼ Side ventilators



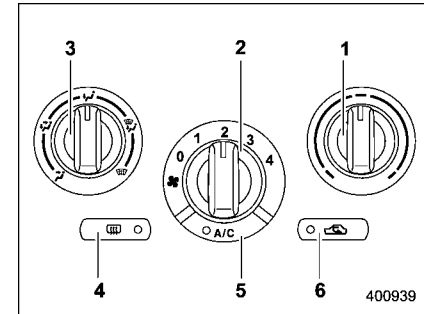
- 1) Open
- 2) Close
- 3) Thumb-wheel

Move the tab up and down or right and left to adjust the flow direction.

To open or close the ventilator, turn the thumb-wheel up or down.

Manual climate control system (if equipped)

■ Control panel



- 1) Temperature control dial
- 2) Fan speed control dial
- 3) Air flow control dial
- 4) Control switch of the defogger and deicer system (Refer to "Defogger and deicer" 3-35.)
- 5) Air conditioner button
- 6) Air inlet selection button

▼ Temperature control dial


This dial regulates the temperature of air flow from the air outlets over a range from the blue side (cool) to red side (warm).


▼ Fan speed control dial


The fan operates only when the ignition switch is turned to the “ON” position. The fan speed control dial is used to select four fan speeds.


▼ Air flow control dial


This dial has the following five positions:

 Air flows through the instrument panel outlets.



 Air flows through the instrument panel outlets and the foot outlets.

 Air flows through the foot outlets and some through the windshield defroster outlets.

 Air flows through the windshield defroster outlets and foot outlets.

 Air flows through the windshield defroster outlets.

NOTE

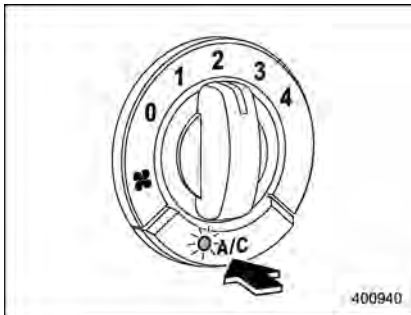
When the dial is placed in the “” or “” position, the air conditioner compressor operates automatically regardless of the position of the air conditioner button to defog the windshield quickly. However the indicator on the air conditioner button will not illuminate. At the same time, the air inlet selection is automatically set to “out-

side air” mode.

In this state, you cannot select “recirculation” mode by manually pressing the air inlet selection button.

Also, you cannot stop the air conditioner compressor by pressing the air conditioner button.

▼ Air conditioner button

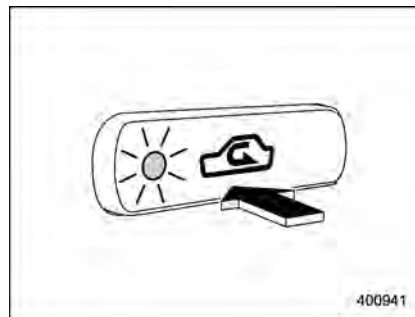


The air conditioner operates only when the engine is running.

Push the air conditioner button while the fan is in operation to turn on the air conditioner. The indicator light will illuminate.

Push it again to turn off the air conditioner.

▼ Air inlet selection button



ON position (Recirculation): Interior air is recirculated inside the vehicle. Push the air inlet selection button to the ON position. The indicator light will illuminate.

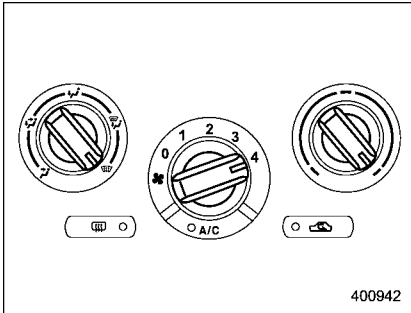
Place the air inlet selection button to the ON position for fast cooling with the air conditioner or when driving on a dusty road.

OFF position (Outside air): Outside air is drawn into the passenger compartment. Push the air inlet selection button again to the OFF position. The indicator light will turn off.

Place the air inlet selection button to the OFF position when the interior has cooled to a comfortable temperature and the road is no longer dusty.

WARNING

Continued operation with the air inlet selection button in the ON position may fog up the windows. Switch to the OFF position as soon as the outside dusty condition clears.

Heater operation**Defrosting or defogging the windshield**

400942

To direct warm air to the windshield and front door windows:

1. Set the air flow control dial to the “” position.
2. Turn the temperature control dial all

the way to the right.

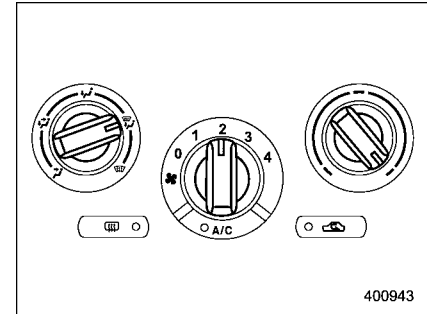
3. Set the fan speed control dial to the highest speed.

If your vehicle is equipped with an air conditioner, when the “” or “” position is selected, the air conditioner compressor automatically operates regardless of the position of the air conditioner button to defog the windshield quickly.

However, the air conditioner indicator light does not illuminate at this time.

NOTE

Warm air also comes out from the right and left air outlets. To stop warm air flow from these outlets, turn the corresponding thumb-wheel down.

Heating and defrosting

400943

To direct warm air toward the floor and the windshield:

1. Set the air flow control dial to the “” position.
2. Set the temperature control dial to the most comfortable level.
3. Set the fan speed control dial to the desired speed.

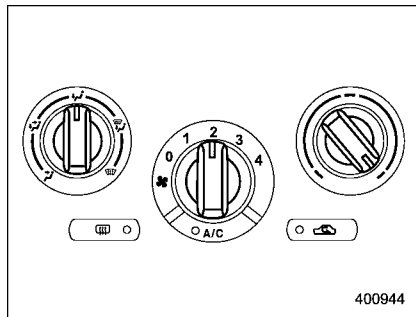
If your vehicle is equipped with an air conditioner, when the “” or “” position is selected, the air conditioner compressor automatically operates regardless of the position of the air conditioner button to defog the windshield quickly.

However, the air conditioner indicator light does not illuminate at this time.

NOTE

Warm air also comes out from the right and left air outlets. To stop warm air flow from these outlets, turn the corresponding thumb-wheel down.

▼ Heating



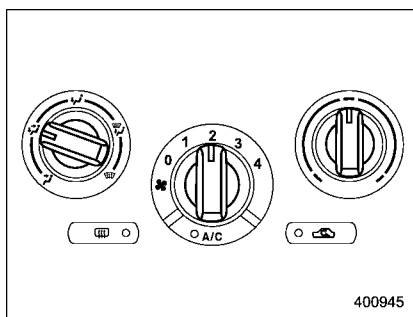
To direct warm air toward the floor:

1. Set the air inlet selection button to the OFF position.
2. Set the air flow control dial to the “” position.
3. Set the temperature control dial to the most comfortable level.
4. Set the fan speed control dial to the desired speed.

NOTE

Warm air also comes out from the right and left air outlets. To stop warm air flow from these outlets, turn the corresponding thumb-wheel down.

▼ Bi-level heating



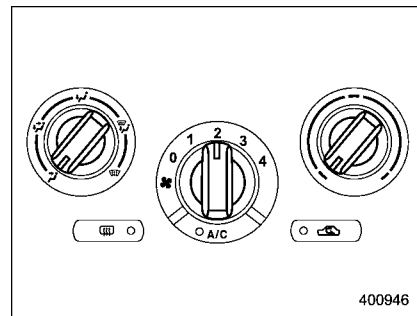
This setting allows you to direct air of different temperatures from the instrument panel and foot outlets. The air from the foot outlets is slightly warmer than from the instrument panel outlets.

1. Set the air inlet selection button to the OFF position.
2. Set the air flow control dial to the “” position.
3. Set the temperature control dial to the desired temperature level.
4. Set the fan speed control dial to the

desired speed.

Setting the temperature control dial fully turned to the red area or blue area decreases the temperature difference between the air from the instrument panel outlets and the air from the foot outlets.

▼ Ventilation



To force outside air through the instrument panel outlets:

1. Set the air inlet selection button to the OFF position.
2. Set the air flow control dial to the “” position.
3. Set the temperature control dial all the way left.
4. Set the fan speed control dial to the desired speed.

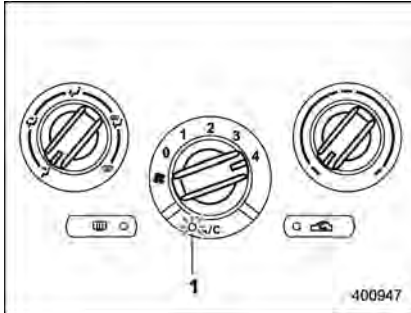
When driving on a dusty road, set the air inlet selection button to the "ON" position.

WARNING

Continued operation with the air inlet selection button in the ON position may fog up the windows. Switch to the OFF position as soon as the outside dusty condition clears.

■ Air conditioner operation

▼ Cooling or dehumidifying



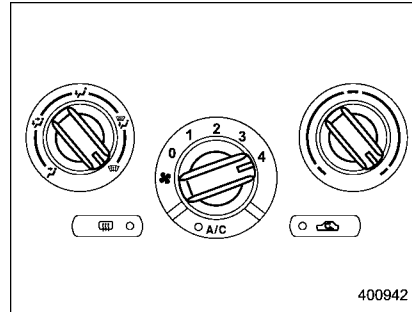
1) ON position

For cooling and dehumidification of the passenger compartment, performing the following steps will allow air to flow

through the instrument panel outlets:

1. Set the air inlet selection button to the OFF position.
2. Set the air flow control dial to the "OFF" position.
3. Set the air conditioner button to the "ON" position.
4. Set the temperature control dial to the blue side.
5. Set the fan speed control dial at the highest speed.

▼ Defrosting or defogging



To direct warm air to the windshield and front door windows:

1. Set the air flow control dial to the "A/C" position.
2. Set the temperature control dial to the

red side.

3. Set the fan speed control dial at the highest speed.

The air conditioner compressor automatically operates when the air flow control dial set in the "A/C" or "OFF" position to provide better defogging performance.

Automatic climate control system (if equipped)

Although this climate control system can be used as a full-automatic climate control system, it can also, if desired, be used as a semi-automatic climate control system.

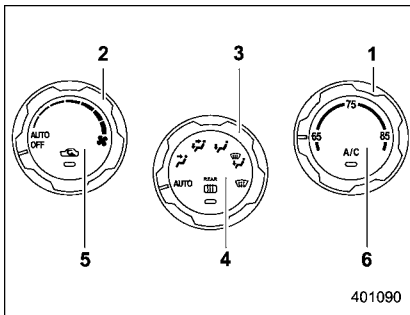
When it is used as a full-automatic climate control system, the outlet air temperature, fan speed, air flow distribution, air inlet control, and air conditioner compressor operation are all automatically controlled to maintain a constant, comfortable temperature inside the vehicle.

NOTE

- Operate the automatic climate control system when the engine is running.
- When the engine coolant is cold, the blower does not run.
- In the "AUTO" mode, when the air temperature in the passenger compartment is sufficiently cool, the air conditioner compressor does not operate. For efficient defogging or dehumidifying in cold weather, press the "A/C" button to operate the air conditioner compressor.
- Even when cooling is not necessary, setting the temperature much lower than the current outlet air temperature turns on the air conditioner compres-

sor automatically and the "A/C" indicator light on the control panel illuminates.

■ Control panel



- 1) Temperature control dial
- 2) Fan speed control dial
- 3) Air flow control dial
- 4) Control switch of the defogger and deicer system (Refer to "Defogger and deicer" 3-35.)
- 5) Air inlet selection button
- 6) Air conditioner button

■ To use as full-automatic climate control system

Place the temperature control dial in the position for your desired temperature, then

set the other dials and buttons as described in the following. The system's functions will then switch to AUTO mode and be controlled automatically.

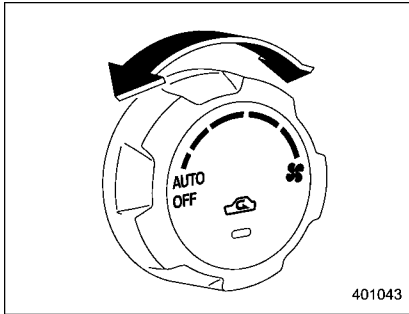
- Air flow control dial: AUTO position
- Fan speed control dial: AUTO position

■ To use as semi-automatic climate control system

Each function can be individually set to AUTO mode independently of the others. Any function set to AUTO mode is controlled automatically. Any function not set to AUTO mode can be manually adjusted as desired.

The temperature can be set within a range of 65 to 85°F (20 to 30°C).

■ Fan speed control dial



401043

The fan operates only with the ignition switch in the ON position. The fan speed control dial is used to select the AUTO (automatic control) mode or to select the desired fan speed. The dial's positions and their functions are as follows.

OFF: The fan does not operate.

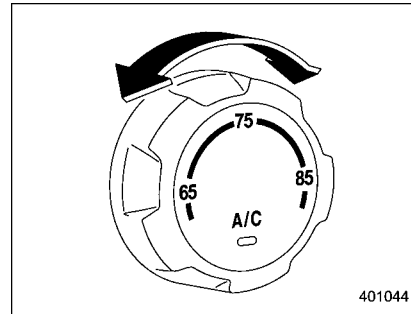
AUTO: The fan speed is adjusted automatically in accordance with the air temperature inside and outside the passenger compartment, the intensity of sunlight, and other factors. SUBARU recommends using the AUTO position.

Other positions: The fan speed can be adjusted in 7 steps.

NOTE

With the fan speed control dial in the AUTO position and the air flow control dial in the “”, “”, or “” position, the fan does not operate during engine warm-up until the engine coolant temperature exceeds approximately 122°F (50°C).

■ Temperature control dial



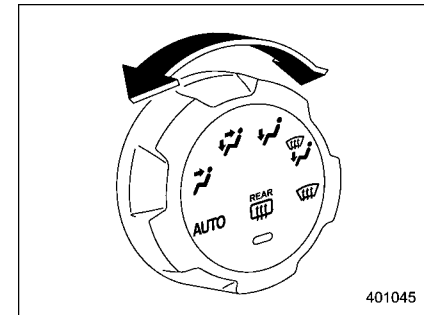
401044

This dial is used to set the desired interior temperature. With the dial set to your desired temperature, the system automatically adjusts the temperature of air supplied from the outlets such that the desired temperature is achieved and maintained.

If the dial is turned fully counterclockwise,

the system gives maximum cooling performance. If the dial is turned fully clockwise, the system gives maximum heating performance.

■ Air flow control dial




401045


This dial has the following six positions. The outlets from which air is supplied in each position are as follows.


AUTO: The air flow control is adjusted automatically in accordance with the air temperature inside and outside the passenger compartment, the intensity of sunlight, and other factors. SUBARU recommends using the AUTO position.

: Instrument panel outlets



: Instrument panel outlets and foot outlets

: Foot outlets and windshield defroster outlets (relatively little air from windshield defroster outlets)

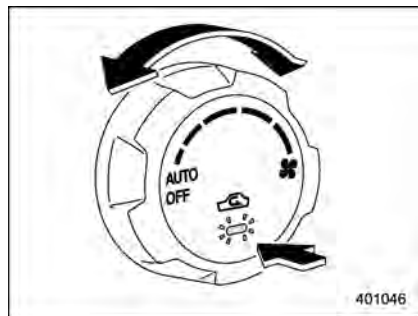
: Windshield defroster outlets and foot outlets

: Windshield defroster outlets

NOTE

When the dial is placed in the “” or “” position, the air inlet selection is automatically set to “outside air” mode.

■ Air inlet selection button



ON position (Recirculation): Interior air is recirculated inside the vehicle. Push the air inlet selection button to the ON position for fast cooling with the air conditioner or

when driving on a dusty road. The indicator light will illuminate.

OFF position (Outside Air): Outside air is drawn into the passenger compartment. Push the air inlet selection button to the OFF position when the interior has cooled to a comfortable temperature and the road is no longer dusty. The indicator light will turn off.

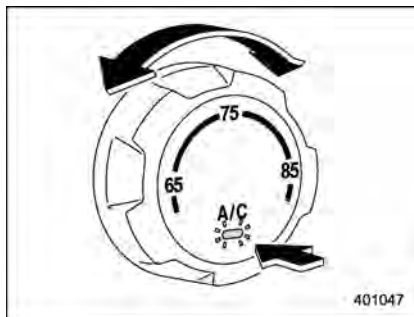
AUTO: Turn the fan speed control dial and air flow control dial to the AUTO position. The air inlet control is then adjusted automatically in accordance with the air temperature inside and outside the passenger compartment, the intensity of sunlight, and other factors. Pressing the air inlet selection button cancels the “AUTO” mode. To return to “AUTO” mode, turn the fan speed control dial or air flow control dial to a position other than the AUTO position. Then turn to “AUTO” mode. SUBARU recommends using the AUTO position.



WARNING

Continued operation in the ON position may fog up the windows. Switch to the OFF position as soon as the outside dusty condition clears.

■ Air conditioner button



The button positions and their functions are as follows.

ON: The air conditioner operates while the fan is running.

Push the button to select this position. The indicator light will illuminate.

OFF: The air conditioner does not operate.

Push the button again to select this position. The indicator light will turn off.

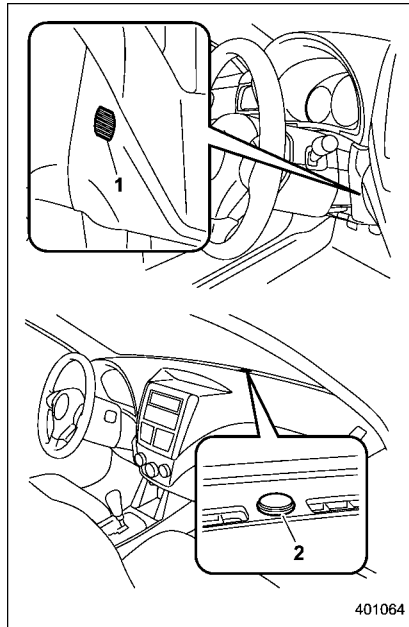
AUTO: Turn the fan speed control dial and air flow control dial to the AUTO position. The air conditioner compressor operation is then adjusted automatically in accordance with the air temperature inside and outside the passenger compartment, the intensity of sunlight, and other factors.

Pressing the button cancels the "AUTO" mode. To return to "AUTO" mode, turn the fan speed control dial or air flow control dial to a position other than the AUTO position. Then turn to "AUTO" mode. SUBARU recommends using the AUTO position.

NOTE

The air conditioner's compressor does not operate with an outside temperature of 32°F (0°C) or lower.

Temperature sensors



- 1) Interior air temperature sensor
- 2) Solar sensor

The automatic climate control system employs several sensors. These sensors are delicate. If they are not treated

properly and become damaged, the system may not be able to control the interior temperature correctly. To avoid damaging the sensors, observe the following precautions.

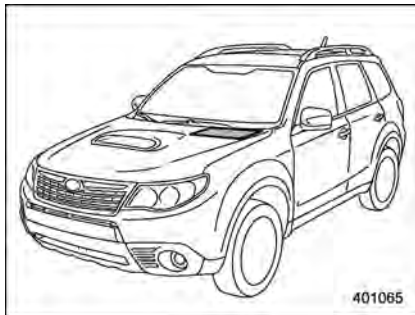
- Do not subject the sensors to impact.
- Keep water away from the sensors.
- Do not cover the sensors.

The sensors are located as follows.

- Solar sensor: beside the windshield defroster grille.
- Interior air temperature sensor: near the ignition switch.
- Outside temperature sensor: behind the front grille.

Operating tips for heater and air conditioner

■ Cleaning ventilation grille



Always keep the front ventilation inlet grille free of snow, leaves, or other obstructions to ensure efficient heating and defrosting. Since the condenser is located in front of the radiator, this area should be kept clean because cooling performance is impaired by any accumulation of insects and leaves on the condenser.

■ Efficient cooling after parking in direct sunlight

After parking in direct sunlight, drive with the windows open for a few minutes to allow outside air to circulate into the

heated interior. This results in quicker cooling by the air conditioner. Keep the windows closed during the operation of the air conditioner for maximum cooling efficiency.

■ Lubrication oil circulation in the refrigerant circuit

Operate the air conditioner compressor at a low engine speed (at idle or low driving speeds) a few minutes each month during the off-season to circulate its oil.

■ Checking air conditioning system before summer season

Check the air conditioner unit for refrigerant leaks, hose conditions, and proper operation each spring. Have the air conditioning system checked by your SUBARU dealer.

■ Cooling and dehumidifying in high humidity and low temperature weather conditions

Under certain weather conditions (high relative humidity, low temperatures, etc.) a small amount of water vapor emission from the air outlets may be noticed. This condition is normal and does not indicate any problem with the air conditioning

system.

■ Air conditioner compressor shut-off when engine is heavily loaded

To improve acceleration and gas mileage, the air conditioner compressor is designed to temporarily shut off during air conditioner operation whenever the accelerator is fully depressed such as during rapid acceleration or when driving on a steep upgrade.

■ Refrigerant for your climate control system

Your air conditioner uses ozone friendly refrigerant HFC134a. Therefore, the method of adding, changing or checking the refrigerant is different from the method for CFC12 (freon). Consult your SUBARU dealer for service. Repairs needed as a result of using the wrong refrigerant are not covered under warranty.

Air filtration system

Replace the filter element according to the replacement schedule as follows. This schedule should be followed to maintain the filter's dust collection ability. Under extremely dusty conditions, the filter should be replaced more frequently. It is recommended that you have your filter checked or replaced by your SUBARU dealer. For replacement, use only a genuine SUBARU air filter kit.

Replacement schedule:

Every 12 months or 7,500 miles (12,000 km) whichever comes first

CAUTION

Contact your SUBARU dealer if the following occurs, even if it is not yet time to change the filter:

- Reduction of the air flow through the vents.
- Windshield gets easily fogged or misted.

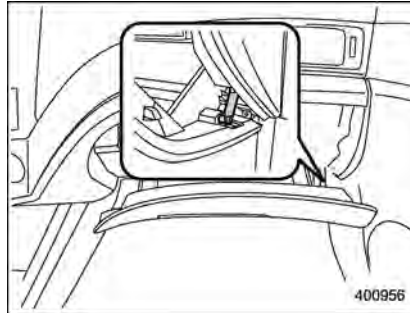
NOTE

The filter can influence the air conditioning, heating and defroster perfor-

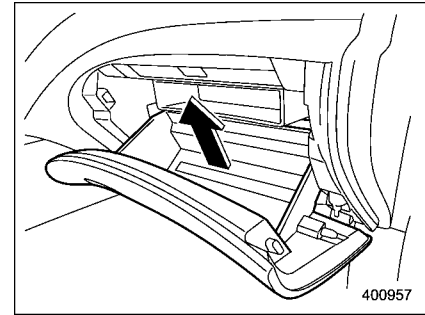
mance if not properly maintained.

■ Replacing an air filter

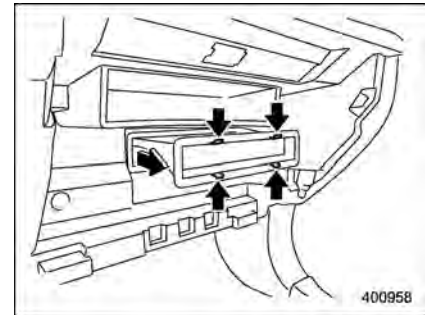
1. Remove the glove box.
 - (1) Open the glove box.



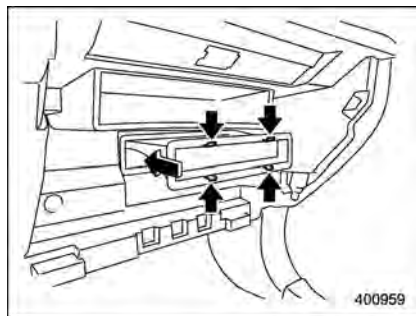
- (2) Remove the damper shaft from the glove box.



- (3) Pull out the glove box.



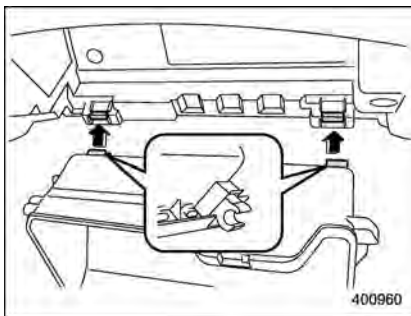
2. Remove the air filter.



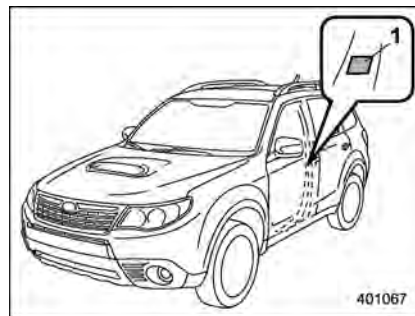
3. Replace the air filter element with a new one.

CAUTION

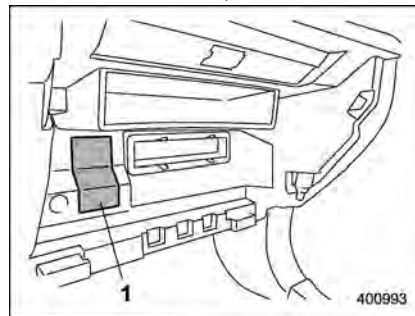
The arrow mark on the filter must point UP.



4. Reinstall the glove box, and connect the damper shaft.
5. Close the glove box.
6. LABEL installation
 - (1) Fill out the information on the service label (small).

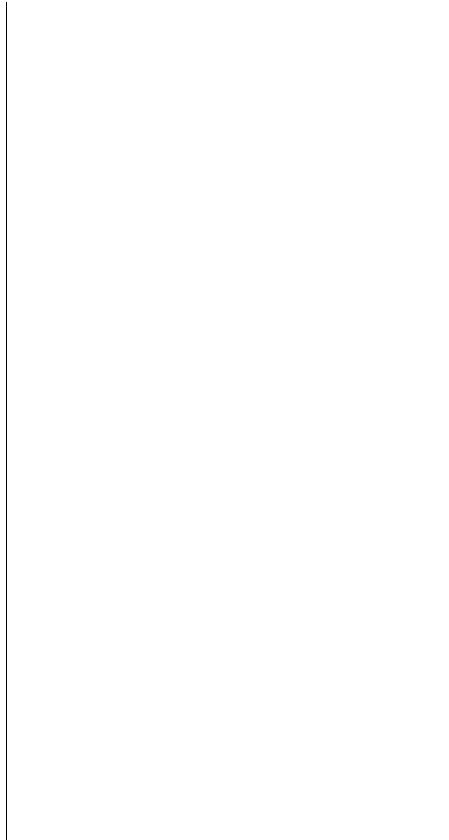


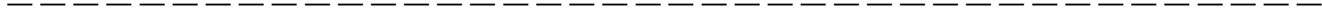
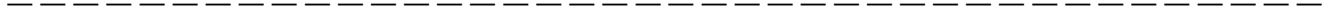
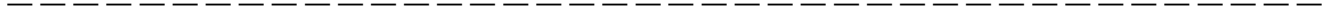
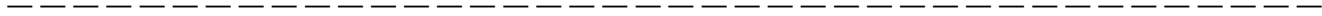
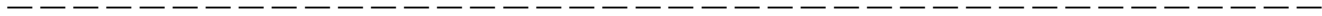
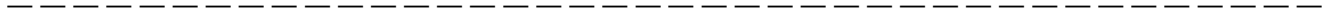
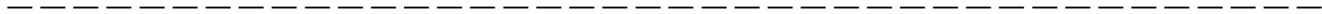
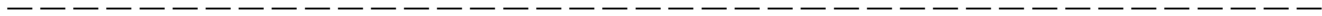
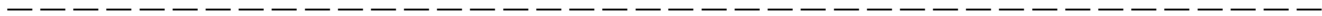
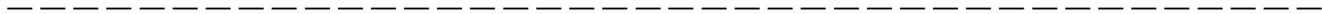
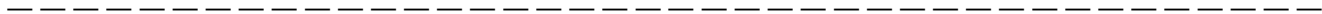
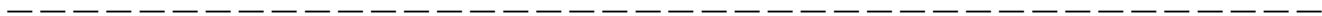
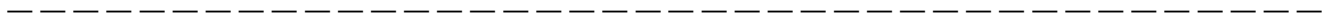
- 1) Service label
 - (2) Attach the service label to the driver's side door pillar.



- 1) Caution label
 - (3) Attach the caution label next to the

air filter as shown in the illustration.





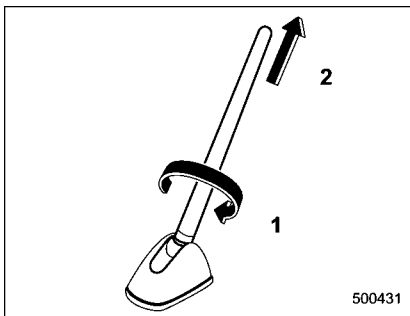
Antenna system	5-2	Band selection	5-14
Roof antenna	5-2	Channel and category selection	5-14
FM reception	5-2	Channel preset	5-16
XM™ satellite radio reception (if equipped)	5-2	Display selection	5-16
Installation of accessories	5-4	CD player operation	5-17
Audio set	5-5	How to insert a CD (type A).....	5-17
Type A audio set (if equipped)	5-5	How to insert a CD(s) (type B).....	5-17
Type B audio set (if equipped)	5-6	How to play back a CD	5-19
Power and sound controls	5-7	To select a track from its beginning.....	5-19
Power switch and volume control	5-7	Fast-forwarding and fast-reversing	5-20
Sound control	5-7	Repeating	5-21
Adjustable level of each mode	5-9	Random playback	5-21
FM/AM radio operation	5-10	Scan	5-22
FM/AM selection.....	5-10	Display selection	5-22
Tuning	5-10	Folder selection.....	5-23
Displaying radio PS (Program Service Name) and RT (Radio Text)	5-12	How to eject a CD from the player (type A).....	5-23
Station preset	5-12	How to eject CDs from the player (type B).....	5-24
Satellite radio operation (if equipped)	5-13	When the following messages are displayed.....	5-25
XM™ satellite radio	5-13	AUX unit operation	5-25
Sirius satellite radio	5-13	Audio control buttons (if equipped)	5-26
Satellite radio reception.....	5-13	MODE button.....	5-26
Displaying satellite radio ID of tuner	5-13	Precautions to observe when handling a compact disc	5-28

Antenna system

■ Roof antenna

CAUTION

- Be sure to lower the antenna rod before entering garages, parking towers and other locations with low ceilings.
- Remove the antenna rod before washing your car at a car wash. If the antenna rod is left attached, it may scratch the roof.
- When reinstalling the removed antenna rod, be sure to fully tighten it.



- 1) Unscrew
- 2) Remove

The roof antenna is installed in the center at the rear part of the roof.

It is possible to remove the antenna rod by unscrewing it from its base.

■ FM reception

Although FM is normally static free, reception can be affected by the surrounding area, atmospheric conditions, station strength and transmitter distance. Buildings or other obstructions may cause momentary static, flutter or station interference. If reception continues to be unsatisfactory, switch to a stronger station.

XM™ satellite radio reception (if equipped)

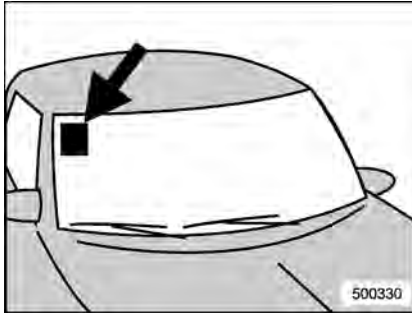
XM™ is a continental U.S. based satellite radio service, including music, news, sports, talk and children's programming. XM™ provides digital quality audio and text information, including song title and artist name. A service fee is required to receive the XM™ service. For more information, contact XM™ at www.xmradio.com or call 1-800-XM-RADIO (1-800-967-2346) for U.S., www.xmradio.ca or 1-877-GET-XMSR (1-877-438-9677) for Canada.

The XM™ satellite radio receiver that is fitted to your vehicle receives the necessary signals from two specially designated satellites that are in a geostationary orbit over the equator. One satellite covers the east coast and the other covers the west coast. Both of them direct their signals north. These signals are then relayed throughout the USA by a network of ground repeater stations. The satellite radio signals are transmitted as "line of sight" signals. Line of sight signals can be blocked by objects such as buildings, but the network of repeater stations allows signal coverage within urban areas such as cities.

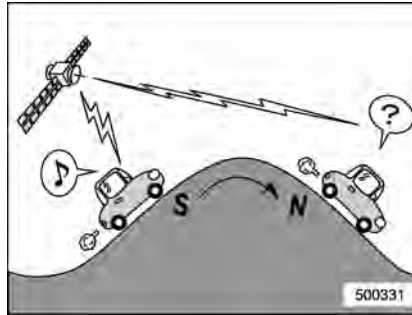
You may experience problems in receiving XM™ satellite radio signals in the following situations.

- If you are driving northward in a coastal area

You will notice that the XM™ satellite radio antenna is fixed to the upper right hand corner of your windshield.



The signal comes from the south and may not be able to reach the antenna in some circumstances when you are driving north.



- If you are driving in a tunnel or a covered parking area
- If you are driving beneath the top level of a multi-level freeway
- If you drive under a bridge
- If you are driving next to a tall vehicle (such as a truck or a bus) that blocks the signal
- If you are driving in a valley where the surrounding hills or peaks block the signal from the south
- If you are driving on a mountain road where the southern direction is blocked by mountains



- If you are driving in an area with tall trees that block the signal (33 ft (10 m) or more), for example on a road that goes through a dense forest
- The signal can become weak in some areas that are not covered by the repeater station network.

Please note that these may be other unforeseen circumstances when there are problems with the reception of XM™ satellite radio signals.

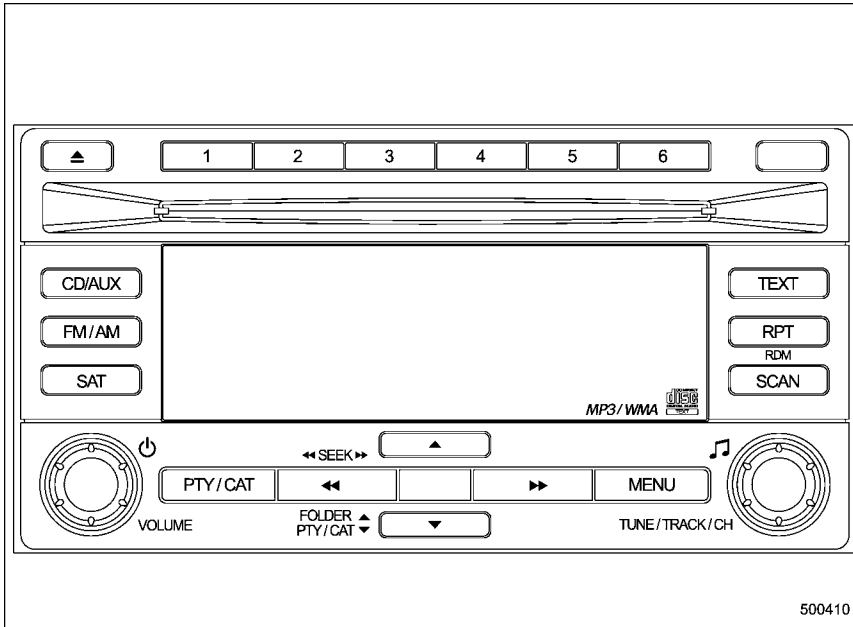
Installation of accessories

Always consult your SUBARU dealer before installing a citizen band radio or other transmitting device in your vehicle. Such devices may cause the electronic control system to malfunction if they are incorrectly installed or if they are not suited for the vehicle.

Audio set

Your SUBARU may be equipped with one of the following audio sets. See the pages indicated in this section for operating details.

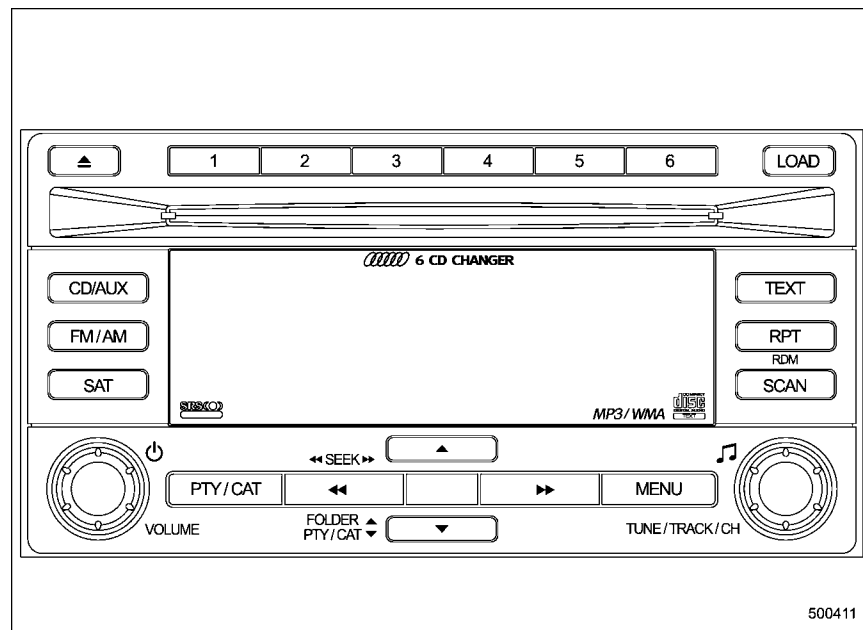
■ Type A audio set (if equipped)



The audio set will operate only when the ignition switch is in the “Acc” or “ON” position.

- Power and sound controls: refer to page 5-7
- Radio operation: refer to page 5-10
- Satellite radio operation (if equipped): refer to page 5-13
- CD (compact disc) player operation: refer to page 5-17
- AUX unit operation: refer to page 5-25

■ Type B audio set (if equipped)



500411

The audio set will operate only when the ignition switch is in the "Acc" or "ON" position.

- Power and sound controls: refer to page 5-7
- Radio operation: refer to page 5-10
- Satellite radio operation (if equipped): refer to page 5-13
- CD (compact disc) player operation: refer to page 5-17
- AUX unit operation: refer to page 5-25

mately 5 seconds.


▽ SVC setting

SVC (Speed Volume Control) is a function that automatically adjusts the volume according to the vehicle speed. As the vehicle speed increases, the audio volume automatically increases to match the vehicle speed, in order to create a pleasant listening environment even as the driving noise increases. The amount of this automatic volume change can be set in the range from OFF to 2. The initial setting is OFF.

▽ BEEP setting

A beep sound (operation sound) that occurs when the audio system is operated can be set ON/OFF. The initial setting is ON.

▽ SRS CS Auto setting (type B audio)

SRS CS Auto can be set ON/OFF. When this setting is ON, “” is displayed on the screen.

NOTE

SRS CS Auto creates a 5.1ch equivalent surround field using 10 speakers that are installed in the vehicle.

SRS CS Auto features:


1) Sound originating from door mount speakers can be heard at ear level

(built in SRS FOCUS effect).

2) Ultra rich bass sound can be obtained from standard door mount speakers (built in SRS TruBass effect).

3) Surround sound can be obtained from 2-channel stereo sources such as CD, MP3 and FM (built in SRS Circle Surround II effect).

4) SRS CS Auto can position the center channel image in the center of the vehicle's windshield. This eliminates the need for a center speaker (built in SRS Circle Surround II phantom center and SRS FOCUS effects).

CS Auto, TruBass, FOCUS, Circle Surround-II, SRS and “” symbol are trademarks of SRS Labs, Inc.

CS Auto technology is incorporated under license from SRS Labs, inc.

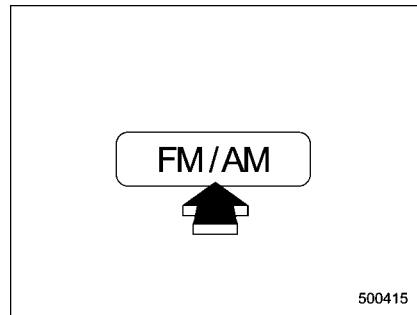
■ Adjustable level of each mode

Mode		Range of levels (displayed)	Initial setting	Turn counterclockwise	Turn clockwise
Volume	Volume control	0 to 40	15	For less volume	For more volume
	AUX volume control*	0 to 40	15	For less volume	For more volume
Tone and balance	Bass control	-8 to +8	0	For less bass sound	For more bass sound
	Midrange control	-8 to +8	0	For less midrange sound	For more midrange sound
	Treble control	-8 to +8	0	For less treble sound	For more treble sound
	Balance	L9 to R9	0	Right channel attenuated	Left channel attenuated
	Fader	R9 to F9	0	Front attenuated	Rear attenuated
Other settings	SPEED VOLUME	OFF to 2	OFF	For less auto volume change	For more auto volume change
	BEEP	OFF to ON	ON	OFF	ON
	CS Auto (type B audio)	OFF to ON	OFF	OFF	ON

*: Only when an AUX audio product is connected.

FM/AM radio operation

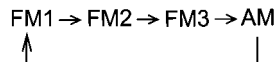
■ FM/AM selection



Push the “FM AM” button when the radio is off to turn on the radio.

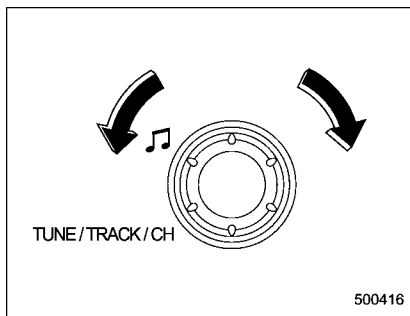
Push the “FM AM” button when the radio is on to select FM1, FM2, FM3 or AM reception.

Each brief press of the “FM AM” button changes the radio in the following sequence starting from the last radio band with you selected.



■ Tuning

▼ Manual tuning



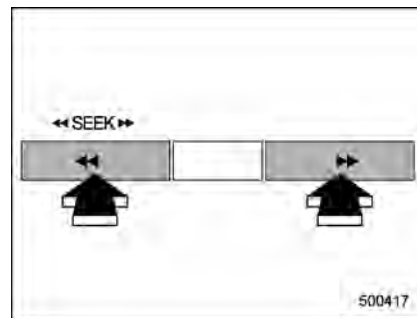
Turn the TUNE dial clockwise to increase the tuning frequency and turn the “TUNE” dial counterclockwise to decrease it.

Each time the dial is turned, the frequency interval can be changed between 10 kHz in the AM mode and 0.2 MHz in the FM mode.

▼ Stereo indicator

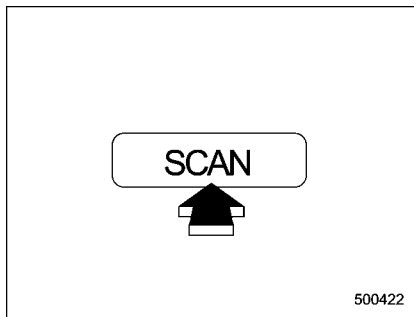
The stereo indicator “ST” will illuminate when an FM stereo broadcast is received.

▼ Seek tuning (SEEK)



If you press the “◀◀” or “▶▶” side of the SEEK button briefly, the radio will automatically search for a receivable station and stop at the first one it finds. This function may not be available, however, when radio signals are weak. In such a situation, perform manual tuning to select the desired station.

▼ Scan tuning (SCAN)

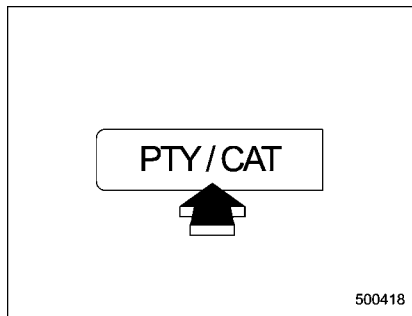


If you press the “SCAN” button, the radio will switch to the scan mode. In this mode, the radio scans through the radio band until a station is found. The radio will stop at the station for 5 seconds while displaying the frequency, after which scanning will continue until the entire band has been scanned.

Press the “SCAN” button again to cancel the SCAN mode and to stop at any displayed channel.

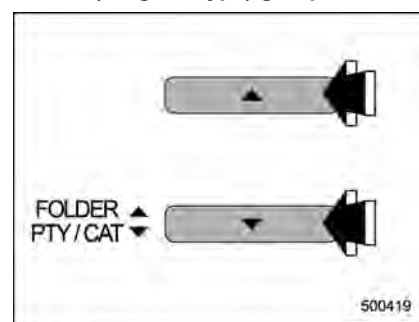
Automatic tuning may not function properly if the station reception is weakened by distance from the station or proximity to tall buildings and hills.

▼ PTY (Program type) group tuning (only FM reception)



Press the “PTY/CAT” button to change to the PTY selection mode. At this time, the PTY group that you are currently listening to will be displayed for 10 seconds. In the PTY selection mode, “PTY” is displayed on the screen.

▽ PTY (Program type) group selection

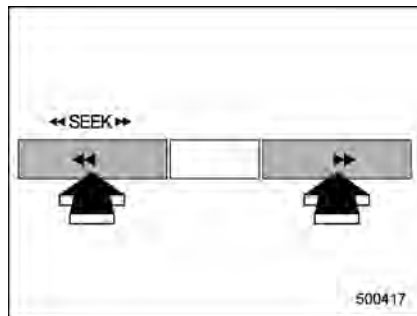


In the PTY selection mode, press the “PTY” button “▲” or “▼” to change the PTY group by one step at a time.

Pressing “▲” changes the PTY group up by one step. Pressing “▼” changes the PTY group down by one step.

This operation only changes the display. It does not change the station that is currently being received.

▽ Seek in PTY (Program type) group

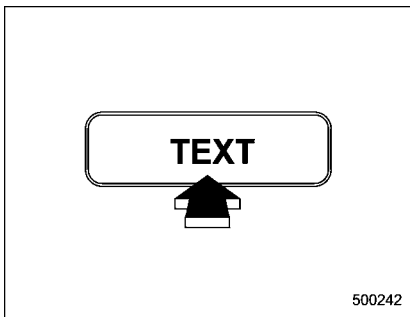


In the PTY selection mode, when the desired PTY group has been selected, pressing the "SEEK" button "▶▶" or "◀◀" seeks within that PTY group.

Pressing "▶▶" seeks up. Pressing "◀◀" seeks down.

The control function returns to the normal mode after approximately 10 seconds.

■ Displaying radio PS (Program Service Name) and RT (Radio Text)



If the PS (Program Service Name) and/or RT (Radio Text) are available, pressing the "TEXT" button changes the display among PS, RT and frequency. The initial setting is "PS".

NOTE

- The maximum number of characters that can be displayed for PS is 8.
- The maximum number of characters that can be displayed for RT is 64.
- If RT is 13 characters or longer, press and hold the "TEXT" button for 0.5 second or longer in order to change the page.

■ Station preset

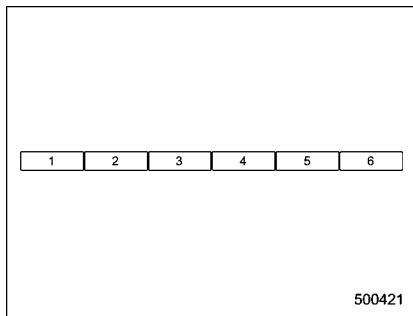
▼ How to preset stations

1. Press the "FM AM" button to select FM1, FM2, FM3 or AM reception.
2. Press the "◀◀" or "▶▶" side of the SEEK button or tune the radio manually until the desired station frequency is displayed.
3. Press one of the preset buttons for more than 1.5 seconds to store the frequency. If the button is pressed for less than 1.5 seconds, the preceding selection will remain in memory.

NOTE

- If the connection between the radio and battery is broken for any reason such as vehicle maintenance or radio removal, all stations stored in the preset buttons are cleared. If this occurs, it is necessary to reset the preset buttons.
- If a cell phone is placed near the radio, it may cause the radio to emit noise when it receives calls. This noise does not indicate a radio fault.

▼ Selecting preset stations



Presetting a station with a preset button allows you to select that station in a single operation. Up to six AM, FM1, FM2 and FM3 stations each may be preset.

Satellite radio operation (if equipped)

To receive satellite radio, it is necessary to install the SUBARU genuine satellite receiver (optional equipment) and to enter into a contract. For details, please contact your SUBARU dealer.

■ XM™ satellite radio

XM™ is a continental U.S. based satellite radio service, including music, news, sports, talk and children's programming. XM™ provides digital quality audio and text information, including song title and artist name. A service fee is required to receive the XM™ service. For more information, contact XM™ at www.xmradio.com or call 1-800-XM-RADIO (1-800-967-2346) for U.S., www.xmradio.ca or 1-877-GET-XMSR (1-877-438-9677) for Canada.

■ Sirius satellite radio

Sirius satellite radio is a recent innovation that allows the listener to experience digital sound quality and to have a greater variety of channels.

Use of satellite radio (Sirius) requires a tuner, antenna and a service contract. For details, please contact your SUBARU

dealer or visit Sirius Satellite Radio at www.sirius.com or call 1-888-539-SIRIUS (7474) for more information. Sirius, the Sirius dog logo, channel names and logos are trademarks of SIRIUS Satellite Radio Inc.

■ Satellite radio reception

Satellite radio signals are best received in areas with a clear view of the open sky. In areas where there are tall buildings, trees, tunnels or other structures that may obstruct the signal of the satellites, there may be signal interruptions. Other circumstances that may result in signal loss include driving near a wall, steep cliff, hill or driving on the lower level of a multi-tiered road or inside of a parking garage.

To help reduce this condition, satellite radio providers have installed ground-based repeaters in heavily populated areas. However, you may still experience reception problems in some areas.

■ Displaying satellite radio ID of tuner

When you activate satellite radio, you should have your satellite radio tuner ID ready because each tuner is identified by its unique satellite radio tuner ID.

The satellite radio ID will be needed when

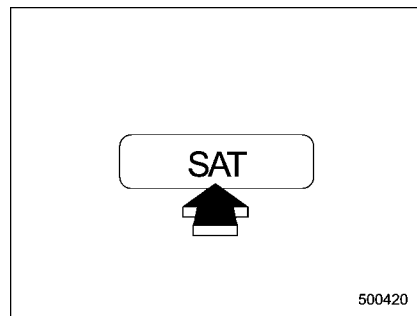
you activate satellite radio and receive satellite radio customer support.

The satellite radio ID can be found on the audio display by tuning the channel to "0". Turn the "CH" dial to select the satellite radio channel.

NOTE

For Sirius, change the display to an indication mode other than the channel number after performing the above operation.

■ Band selection



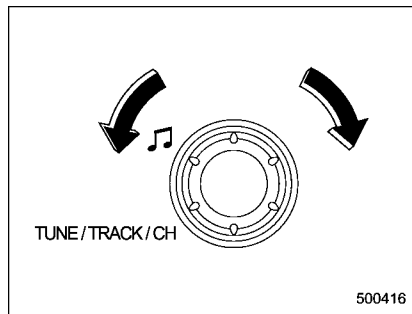
Push the "SAT" button when the radio is off to turn on the radio.

Push the "SAT" button when the radio is on to select SAT1, SAT2 or SAT3 recep-

tion.

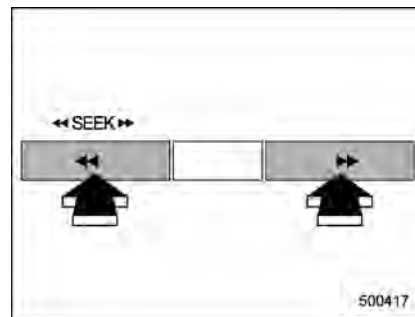
■ Channel and category selection

▼ Channel selection (type A)



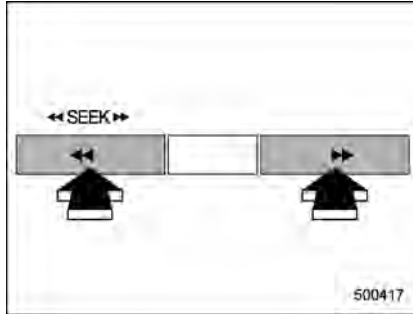
Turn the "CH" dial clockwise to select the next channel and turn the "CH" dial counterclockwise to select the previous channel.

▼ Channel selection (type B)



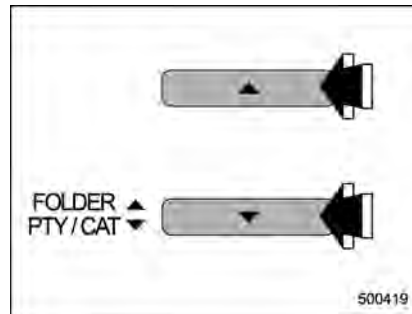
When in the SAT mode, briefly press the "SEEK" button "◀◀" or "▶▶" to select the channel.

▼ Skip channel selection



When in the SAT mode, press the "SEEK" button "◀◀" or "▶▶" continuously to change to the channel selection mode. Pressing the "SEEK" button "▶▶" changes the channel up by 10 steps each time. Pressing "◀◀" changes the channel down by 10 steps each time.

▼ Category selection

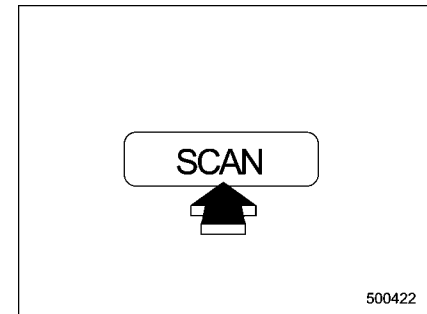


When in the SAT mode, press the "CAT" button "▲" or "▼" to change to the category search mode.

When in the category search mode, pressing the "CAT" button "▲" changes the category up by one step. Pressing "▼" changes the category down by one step. When a category is selected, turning the "CH" dial selects channels only within the selected category.

The control function returns to the normal mode after approximately 10 seconds.

▼ Channel scan



Press the "SCAN" button to change the radio to the SCAN mode. In this mode, under the selected category, the radio scans through the channel until a station is found. The radio will stop at the station for 5 seconds while displaying the channel number, after which scanning will continue until the entire channel has been scanned from the low end to the high end.

Press the "SCAN" button again to cancel the SCAN mode and to stop on any displayed channel.

CD player operation

NOTE

- Make sure to always insert a disc with the label side up. If a disc is inserted with the label side down, the player displays “CHECK DISC”. Refer to “When the following messages are displayed” 5-25.
- If a disc is inserted during a radio broadcast, the disc will interrupt the broadcast.
- After the last song finishes, the disc will automatically return to track 1 (the first track on the disc) and will automatically play back.
- The player is designed to be able to play music CD-Rs and music CD-RWs, but it may not be able to play certain ones.
- CDs (i.e., 8 cm/3 inch CDs) are not supported, and if inserted, they will be immediately ejected.
- The file (track) that has protected by copyright of WMA cannot be played, and the player will skip to the next file (track).

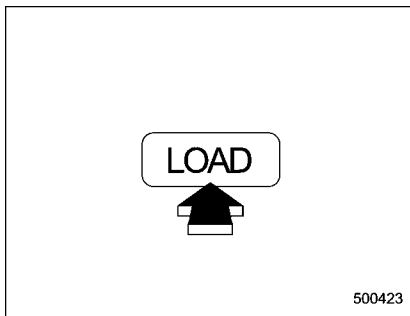
■ How to insert a CD (type A)

Hold a disc with a finger in the center hole while gripping the edge of the disc, then insert it in to the slot (with the label side up) and the player will automatically pull the disc into position.

NOTE

DO NOT INSERT TWO DISCS INTO THE DISC INSERTION SLOT AT A TIME.

■ How to insert a CD(s) (type B)



1. Briefly press the “LOAD” button. If the magazine in the player has an idle position where you can insert a disc, the disc number indicator associated with the idle position will blink.

If no indicator blinks, it means that there is

no idle position in the magazine.

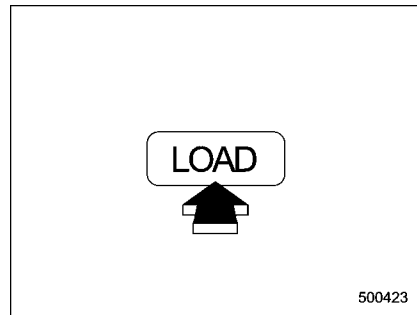
2. When the “LOAD” indicator illuminates, insert the disc. Once you have inserted the disc, the “LOAD” indicator will turn off. The disc will then be automatically drawn in, and the player will begin to play back the first track of the disc.

- To insert more discs in succession, repeat Steps 1 and 2. The magazine will be loaded with discs in the ascending order of position number.

If you do not insert any disc in 15 seconds after you have pressed the “LOAD” button, the player will begin to play back the first track of the last disc you have inserted.

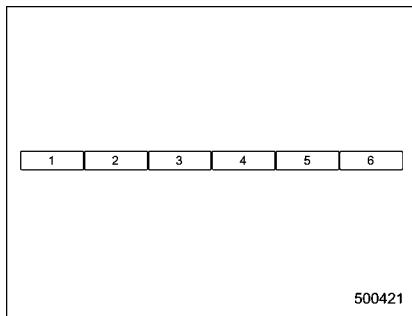
- The disc indicator steadily lights up if a disc is already inserted in the corresponding position of the magazine.
- While the player is in the loading mode, if you press “FM/AM”, “SAT” or “AUX” button, the player will enter the standby mode. Press the “CD” button to start playback.

▼ Inserting a disc in a desired position



1. Briefly press the “LOAD” button. If the magazine in the player has an idle position where you can insert a disc, the disc number indicator associated with the idle position will blink.

The positions in the magazine the indicator of which steadily lights up are already loaded with discs.



2. Press the disc select button at the position where you want to insert a disc.

3. When the “LOAD” indicator illuminates, insert the disc. Once you have inserted the disc, the “LOAD” indicator will turn off. The disc will then be automatically drawn in, and the player will begin to play the first track on the disc.

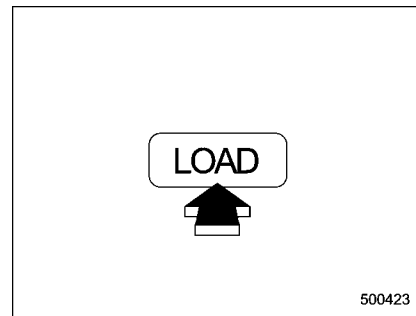
- If you wish to insert another disc, repeat the procedure beginning with step 1.

If you do not insert any disc in 15 seconds after you have pressed the “LOAD” button, the player will begin to play back the first track of the last disc you have inserted.

- While the player is in the loading mode, if you press “FM/AM”, “SAT” or “AUX” button, the player will enter standby mode.

Press the “CD” button to start playback.

▼ Loading all the magazine (full disc loading mode)



1. If you continue to press the “LOAD” button for more than 1.5 seconds, the player will produce beep sound and will enter the full disc loading mode.

2. When the disc number indicator flashes and “ALL LOAD” indicator illuminates, insert a disc within 15 seconds. If a disc is successfully loaded during this period, the disc number indicator will stop blinking and will steadily light.

3. When the loading of a disc is complete, the next disc number indicator will blink. Then repeat Step 2.

4. When the magazine is filled with discs by repeating Steps 2 and 3, the player will

start playback of the discs, beginning with the one inserted first.

If you fail to insert any disc during each 15 seconds interval, the full disc loading mode will be canceled, and the player will start playback of the disc inserted first.

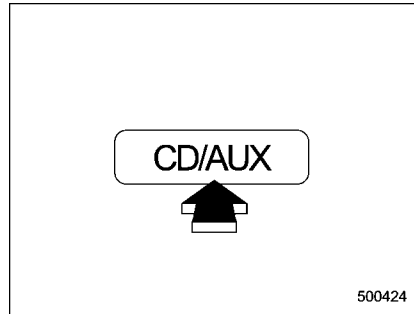
■ How to play back a CD

▼ When there is no CD inserted

Properly insert a CD. Refer to “How to insert a CD (type A)” 5-17 / “How to insert a CD(s) (type B)” 5-17.

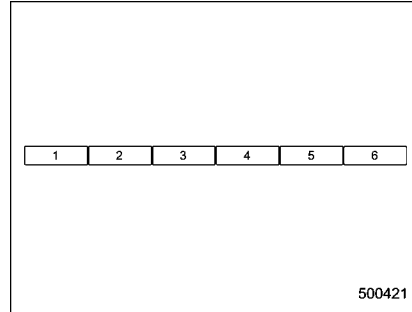
When a CD is loaded, the player will start playback of the CD, beginning with the first track.

▼ When CD is in the player (type A)



When the “CD” button is pressed, the player will start playback.

▼ When there are CDs loaded (type B)

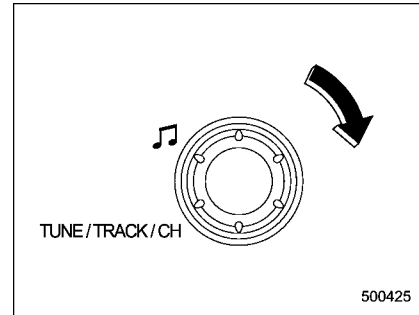


Press a desired one of the disc select buttons the disc number indicator of which steadily lights up. The player will then start playback of the selected CD, beginning with the first track.

If a disc that the player cannot read has been loaded, the player will display the message “CHECK DISC”.

■ To select a track from its beginning

▼ Forward direction

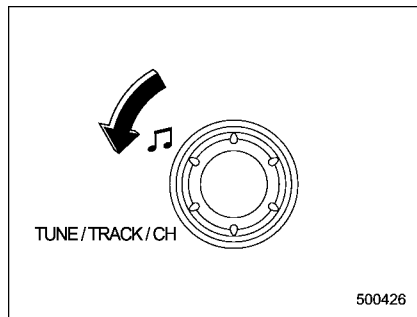


Turn the “TRACK” dial clockwise to skip to the beginning of the next track/file (track). Each time the dial is turned, the indicated track/file (track) number will increase.

NOTE

In an MP3 or WMA folder, skipping past the last track/file (track) will take you back to the first track/file (track) in the folder.

▼ Backward direction



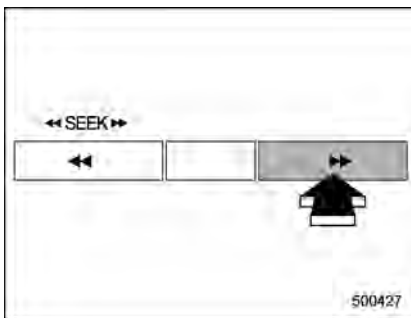
Turn the “TRACK” dial counterclockwise to skip to the beginning of the current track/file (track). Each time the dial is turned, the indicated track/file (track) number will decrease.

NOTE

In an MP3 or WMA folder, skipping past the first track/file (track) will take you to the last track/file (track) in the folder.

■ Fast-forwarding and fast-reversing

▼ Fast-forwarding



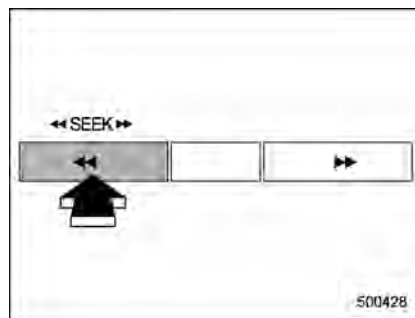
Press the “▶▶” side of the “SEEK” button continuously to fast-forward the disc/folder.

Release the button to stop fast-forwarding.

NOTE

If you fast-forward to the end of the last track/file (track), fast-forwarding will stop and the player will start playback beginning with the first track/file (track).

▼ Fast-reversing



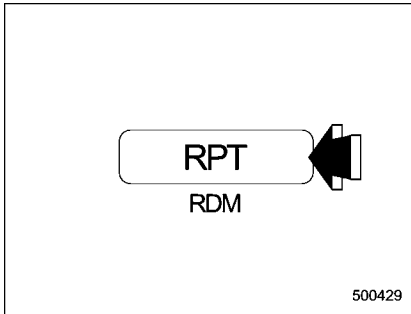
Press the “◀◀” side of the “SEEK” button continuously to fast-reverse the disc/folder.

Release the button to stop fast-reversing.

NOTE

If you fast-reverse to the beginning of the first track/file (track), fast-reversing will stop and the player will start playback.

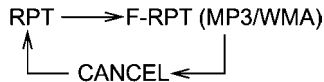
■ Repeating



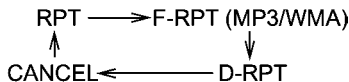
To repeat a track/file (track), briefly press the "RPT" button while the track/file (track) is playing.

Each time you briefly press the button, the mode changes in the following sequences.

Type A audio:



Type B audio:



NOTE

- The "RPT" indication refers to the repeat playback of a single track. It repeats the track that is playing.
- The "F-RPT" indication refers to the repeat playback of a folder. It repeats the all of the tracks in the folder. It is possible to select the function when the MP3/WMA format track is playing.
- The "D-RPT" indication refers to the repeat playback of a disc. It repeats the tracks on the CD. It is only possible to select this function for type B audio.

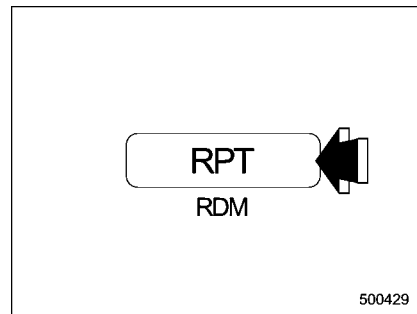
To cancel the track/file (track) repeat-play mode, briefly press the "RPT" button twice. The "RPT" indication will turn off, and the normal playback mode will be resumed.

NOTE

The repeat-play mode will be cancelled if you perform any of the following steps.

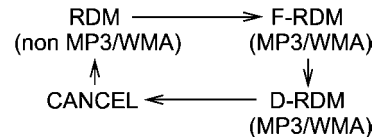
- Press the "RPT" button and select CANCEL
- Press the "▲" button
- Press the disc select button
- Press the "SCAN" button
- Press the "LOAD" button when there is free space in the CD magazine

■ Random playback



To playback a track/file(s) at random, press the "RPT" button for 0.5 second or longer while the track/file is playing.

Each time you press the button, the mode changes in the following sequences.



NOTE

- The "RDM" indication refers to the random playback of the tracks. It randomly repeats the tracks on the CD. It is possible to select the function when formats other than the MP3/WMA

format CD is playing.

- The “F-RDM” indication refers to the random playback in the folder. It randomly repeats the tracks in the folder. It is possible to select the function when an MP3/WMA format track is playing.
- The “D-RDM” indication refers to the random playback of a disc. It randomly repeats the tracks in the CD. It is possible to select the function when an MP3/WMA format track is playing.

To cancel the random playback mode, press the “RPT” button again and select CANCEL.

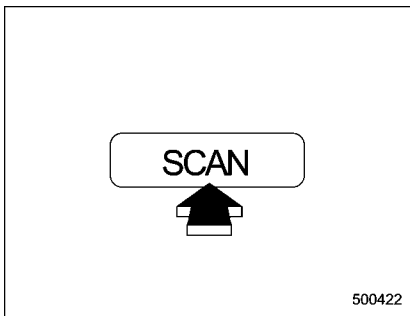
The “RDM” indication will turn off, and the normal playback mode will be resumed.

NOTE

Random playback will be cancelled if you perform any of the following steps.

- Press the “RPT” button and select CANCEL
- Press the “▲” button
- Press the disc select button
- Press the “SCAN” button
- Press the “LOAD” button when there is free space in the CD magazine

■ Scan



The scan mode lets you listen to the first 10 seconds of each track/file in succession. Press the “SCAN” button to start scanning upward beginning with the track/file(s) following the currently selected one. After all track/file(s) in the disk/folder have been scanned, normal playback will be resumed. To cancel the scan mode, press the “SCAN” button again.

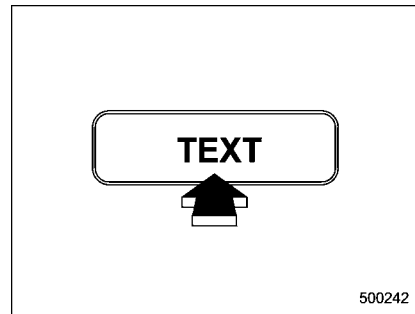
NOTE

The scan mode will be cancelled if you perform any of the following steps.

- Press the “RPT” button
- Turn the “TRACK” dial
- Press the “▼” or “▲” side of the “FOLDER” button
- Press the “▲” button

- Press the disc select button
- Select the radio or AUX mode
- Press the “LOAD” button when there is free space in the CD magazine
- Turn off the power of the audio equipment
- Turn the ignition switch to the “LOCK” position

■ Display selection



If you press the “TEXT” button during playback, the indication will change to the next one in the following sequence.

For CD-DA:

P-TIME → DISC TITLE → ARTIST NAME

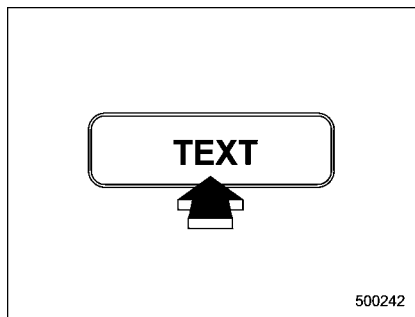


For MP3/WMA:

P-TIME → FOLDER NAME



▼ Page (track/folder title) scroll

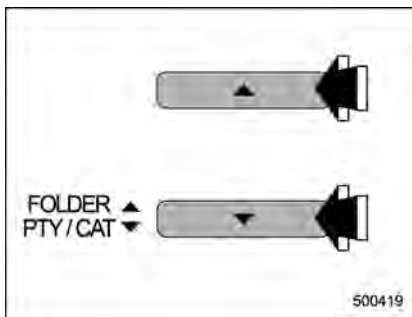


If you press the “TEXT” button again for at least 0.5 second, the title will be scrolled so you can see all of it.

NOTE

The display is designed to show titles for up to 24 characters.

■ Folder selection

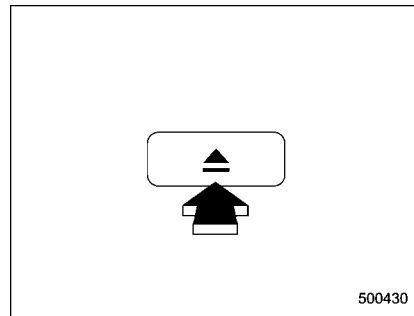


Press the “▲” side of the “FOLDER” button briefly to select the next folder. Press the “▼” side of the button briefly to go back to the previous folder. The folder title will be shown each time you press one of the buttons.

NOTE

- Selecting folders in this way is possible only within a single disc.
- Only MP3/WMA folders are recognized when an attempt to select the next or previous folder is made. If no appropriate folder exists on the disc, pressing the “▲” or “▼” side of the “FOLDER” button starts playback beginning with the first track/file (track).

■ How to eject a CD from the player (type A)



When a disc is being played back or when a disc is in the player, press the eject button “▲”. The disc will be ejected.

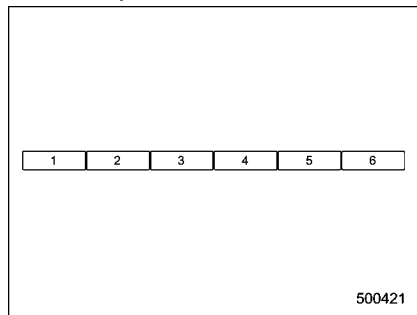
NOTE

- Avoid driving the vehicle with a CD sticking out, because vibration might make it fall out.
- If the disc is left ejected for more than approximately 15 seconds after the ignition switch is turned to the “OFF” position, a disc protection function will operate, automatically reloading the disc. In this case, the disc is not played.

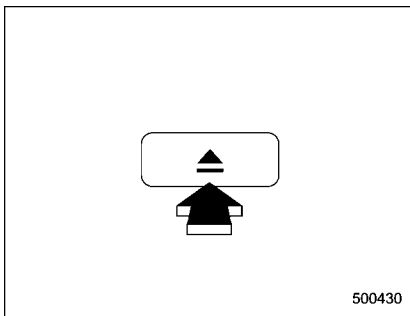
■ How to eject CDs from the player (type B)

▼ Ejecting a CD from the player

Of the discs loaded, you can select and remove only one disc.



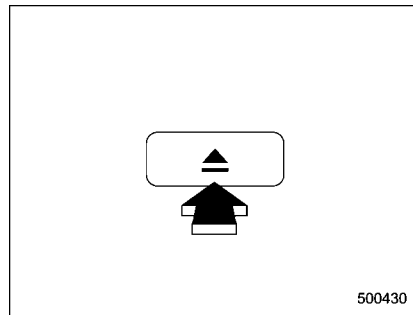
1. Use the disc select button to select the disc to be ejected.



2. Briefly press the “▲” button. The selected disc will be ejected. The disc number indicator will flash at this time. When you remove the ejected disc, the disc number indicator will turn off.

To remove more discs in succession, repeat steps 1 and 2.

▼ Ejecting all discs from the player (all disc ejection mode)



1. If you continue to press the “▲” button, the player will produce beep sound and will enter the all disc ejection mode. At this time, the disc number indicator and “ALL EJECT” indicator will flash.
2. Remove the disc that has been ejected. The other discs loaded will then be ejected one after another. If you do not remove the disc that has been ejected, the “All disc ejection mode” will be canceled.

NOTE

- Avoid driving the vehicle with a CD sticking out, because vibration might make it fall out.
- If you press the “▲” button while

the player is in all disc ejection mode, the mode will be cancelled following ejection of the disc that is currently being ejected.

- If you press the “CD” button or “LOAD” button while the player is in all disc ejection mode, the player will draw in the discs that have been ejected and play them.

■ When the following messages are displayed

If one of the following messages is displayed while operating the CD player, determine the cause based on the following information. If you cannot clear those messages, please contact your SUBARU dealer.

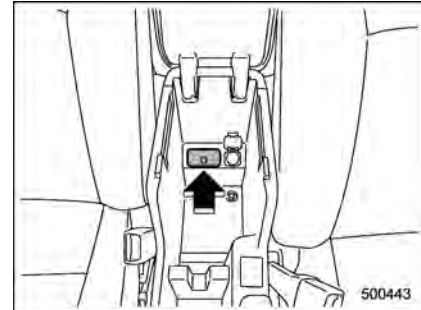
▼ When “PUSH EJECT” is displayed

Press the eject button to unload the disc. Check the disc for damage or deformation, and also check that the correct disc is inserted. Do not try to unload the disc forcibly. Single CDs (i.e., 8 cm/3 inch CDs) are not supported, and if inserted, they will be immediately ejected and this message will be displayed. If the disc cannot be unloaded or this message remains displayed, please contact your SUBARU dealer.

▼ When “CHECK DISC” is displayed

Press the eject button to unload the discs. Check that the disc is not damaged or scratched, and also check that the disc is inserted correctly. This message may appear when using some CD-RW discs. Check that the disc type (i.e., 8 cm/3 inch CDs are not supported) and data format are correct. This player can only play MP3 and WMA data formats. If the disc cannot be unloaded or this message remains displayed, please contact your SUBARU dealer.

AUX unit operation



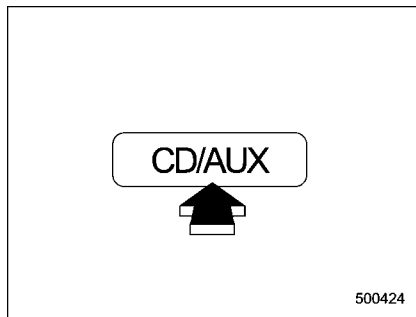
Models without genuine SUBARU navigation system

By connecting a commercial audio product to the vehicle, such as a portable audio player, you can hear its sound via the vehicle's speaker.

For the audio input jack, a stereo mini pin plug (3.5Ø) can be connected. The connection cable is available at electrical appliance or similar stores.

To use the AUX unit:

1. Connect a portable audio player to the AUX jack.



2. Press the AUX input selection button "CD/AUX" on the audio control panel to turn on the auxiliary audio input.
3. Play back the portable audio player. Refer to the Owner's Manual of the portable audio player.

NOTE

- The AUX jacks of the models with the genuine SUBARU navigation system are the RCA type. For detailed information, refer to the Owner's Manual supplement for the navigation system.
- The output sound of the portable audio player is not loud, and the sound via the vehicle's speakers that are connected to the vehicle audio set may be very low. If you turn up the

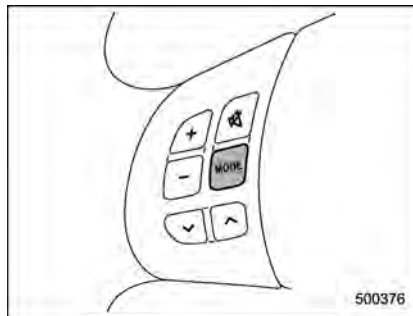
volume of the audio set, the volume becomes louder. However, when you change from one portable audio player to another one, the volume levels via the vehicle's speakers may be significantly loud compared to the prior device. To avoid a large volume difference, turn down the volume when you change between portable audio players.

- In some cases, when the sound volume of the portable audio player is low, the sound becomes bad when you turn up the volume of the vehicle audio system. In this case, adjust the sound volume of the portable audio player.
- In some cases, noise occurs because of a bad connection between the portable player of the vehicle audio system or for the player.

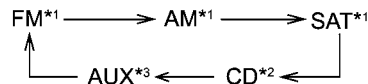
Audio control buttons (if equipped)

These buttons are located on the steering wheel. They allow the driver to control audio functions without taking his/her hands off the steering wheel.

■ MODE button



This button is used to select the desired audio mode. Each time it is pressed, the mode changes to the next one in the following sequence:



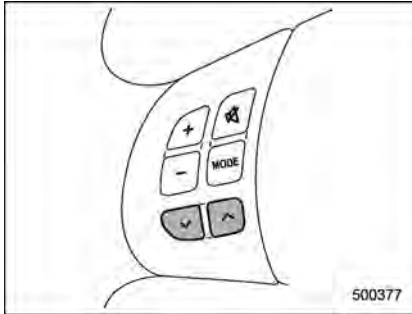
*1: The frequency last received in the selected

waveband will be displayed.

*2: Only when a CD is in the player.

*3: Only when with an auxiliary audio product is connected.

▼ “^” and “v” buttons



▽ With radio mode selected

Press the “^” button or “v” button for a short time to skip to a preset channel, and press it for a long time to seek the next receivable station.

▽ With CD mode selected

Press the “^” button to skip forward in the track/file (track) order. Press the “v” button to skip backward in the track/file (track) order.

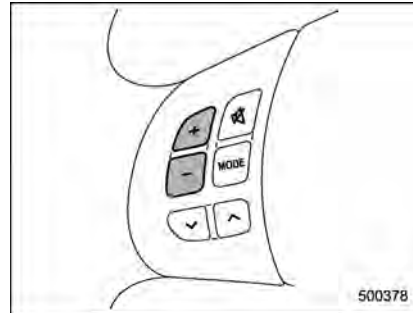
The track/file (track) number will be shown

on the audio display.

▽ With SAT mode selected

Press the “^” button to skip forward in the channel order. Press the “v” button to skip backward in the channel order. The channel will be shown on the audio display.

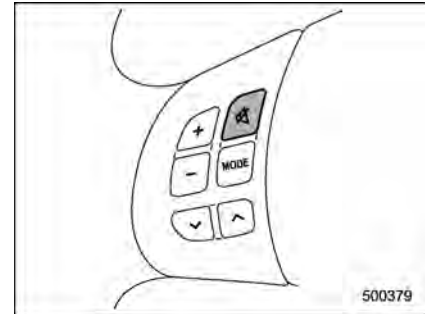
▼ Volume control buttons



Press the “+” button to increase the volume. Press the “-” button to reduce the volume.

A number indicating the volume will be shown on the audio display.

▼ MUTE button



Press this button if you wish to immediately cut the volume to zero.

The audio display will show “MUTE”.

If you press the button again, the original sound volume will return and “MUTE” turns off.

Precautions to observe when handling a compact disc

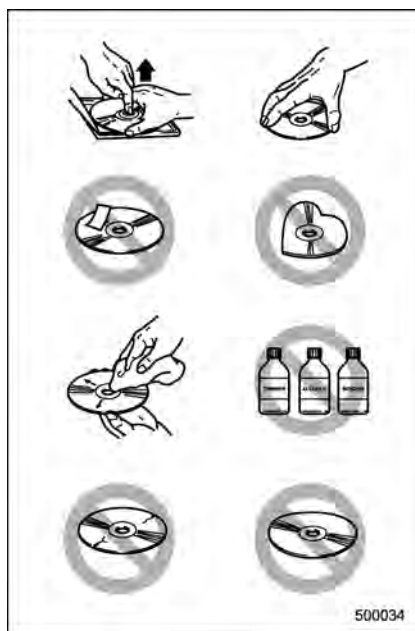
Use only compact discs (CDs, CD-Rs and CD-RWs) that have the mark shown in the following. Also, some compact discs cannot be played.

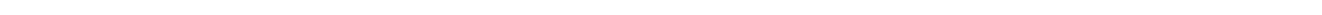
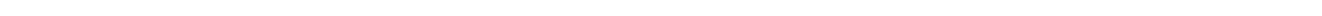
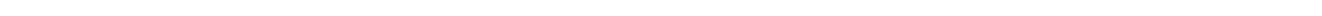
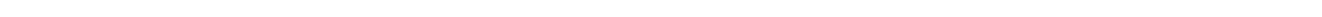
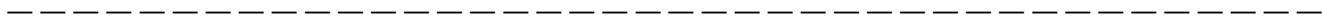


- You cannot use a DualDisc in the CD player. If you insert a DualDisc into the player, the disc may not come out again, possibly causing the player to malfunction.
- In cold and/or rainy weather, dew can form inside the CD player, preventing normal operation. If this happens, eject the CD and wait for the player to dry out.
- Skipping may occur when the CD player is subjected to severe vibration (for example, when the vehicle is driven on a rough surface).
- To remove a disc from the case, press the center of the case and hold both edges of the disc. If the disc surface is touched directly, contamination could cause poor tone quality. Do not touch the disc surface.
- Use a clean disc whenever possible. If

there are deposits, wipe the disc surface from the center outward with a dry, soft cloth. Be sure not to use a hard cloth, thinner, benzine, alcohol, etc.

- Do not use any disc that is scratched, deformed, or cracked. Also, do not use any disc that has a non-standard shape (for example, a heart shape). Malfunctions or problems might result.
- A disc is vulnerable to heat. Never keep it either in places exposed to direct sunlight, near heaters or in vehicles parked in the sun or on hot days.



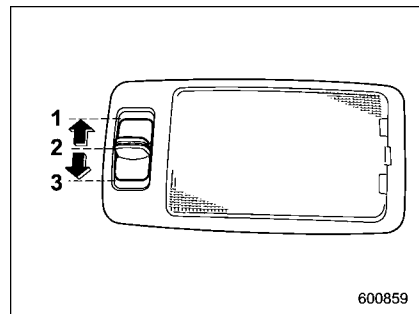


Interior lights	6-2	Bottle holders	6-9
Dome light	6-2	Accessory power outlets	6-9
Cargo area light	6-3	Use with a cigarette lighter (dealer option).....	6-11
Map light.....	6-3	Ashtray (if equipped)	6-11
Sun visors	6-4	Floor mat	6-12
Vanity mirror	6-5	Shopping bag hook	6-12
Storage compartment	6-5	Coat hook	6-13
Glove box	6-5	Cargo area cover (dealer option)	6-13
Center console.....	6-5	Using the cover	6-13
Overhead console	6-7	To remove the cover	6-14
Rear seat center table (if equipped)	6-7	To install the cover housing	6-14
Coin tray.....	6-7	Cargo tie-down hooks	6-15
Cup holders	6-8	Under-floor storage compartment	
Front passenger cup holder.....	6-8	(if equipped)	6-16
Rear passenger cup holder (if equipped).....	6-8		

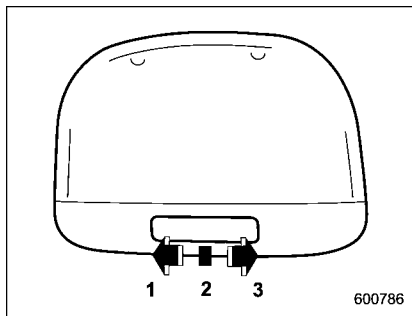
Interior lights

When leaving your vehicle, make sure the light is turned off to avoid battery discharge.

■ Dome light



Type A



Type B

- 1) ON
- 2) DOOR
- 3) OFF

The dome light switch has the following three positions.

ON: The light remains on continuously.

OFF: The light remains off.

DOOR: The dome light illuminates automatically in the following cases.

- Any of the doors or the rear gate is opened.
- The doors or the rear gate are unlocked using the remote keyless entry transmitter.
- The ignition switch is turned from the "Acc" position to the "LOCK" position.

The automatically illuminated dome light remains on for several seconds and then gradually turns off after all doors and the rear gate are closed. While the light is illuminated, if any of the following operations are performed, the dome light turns off immediately.

- The ignition switch is turned from the "LOCK" position to "Acc" or "ON" position.
- All doors and the rear gate are locked using the remote keyless entry transmitter.

The setting of the period for which the light remains on (OFF delay timer) can be changed as follows.

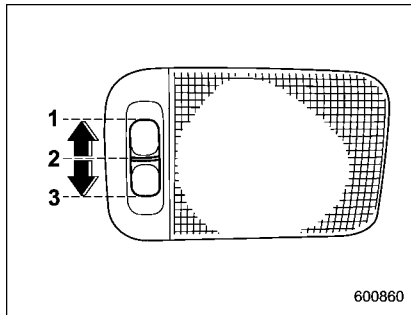
● Models with genuine SUBARU navigation system:

The setting can be changed using the navigation monitor. For details, please refer to the Owner's Manual supplement for the navigation system. Also, the setting can be changed by a SUBARU dealer. Contact your SUBARU dealer for details.

● Models without genuine SUBARU navigation system:

The setting can be changed by a SUBARU dealer. Contact your SUBARU dealer for details.

■ Cargo area light



- 1) DOOR
- 2) OFF
- 3) ON

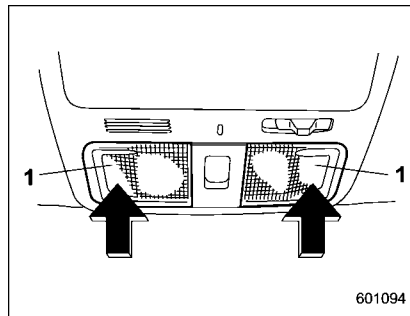
The cargo area light switch has the following three positions.

DOOR: The light illuminates when the rear gate is opened. The light remains illuminated for several seconds and turns off after the rear gate is closed.

OFF: The light remains off.

ON: The light remains on continuously.

■ Map light

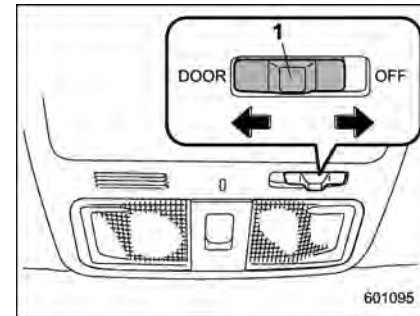


- 1) Map light switch (lens)

To turn on the map light, push the lens.
To turn it off, push the lens again.

When leaving the vehicle, make sure the light is turned off to avoid battery discharge.

▼ Door interlock switch



- 1) Door interlock switch

Although the map light switches (lenses) are in the OFF position (manually off), the map lights can be set to illuminate automatically in conjunction with the opening of the doors by use of the door interlock switch. The door interlock switch has the following two positions.

OFF: The map lights do not illuminate automatically in conjunction with the opening of the doors. But, the lights can be turned on manually by pushing the map light switches (lenses).

DOOR: The map lights illuminate automatically in the following cases.

- Any of the doors other than the rear gate is opened. (The map lights do not

illuminate when only the rear gate is opened.)

- The doors are unlocked using the remote keyless entry transmitter.
- The ignition switch is turned from the "Acc" position to the "LOCK" position.

The automatically illuminated map lights remain on for several seconds and then gradually turn off after all doors are closed. While the lights are on, if any of the following operations are performed, the map lights turn off immediately.

- The ignition switch is turned from the "LOCK" position to the "Acc" or "ON" position.
- All doors and the rear gate are locked using the remote keyless entry transmitter.

The setting of the period for which the lights remain on (OFF delay timer) can be changed as follows.

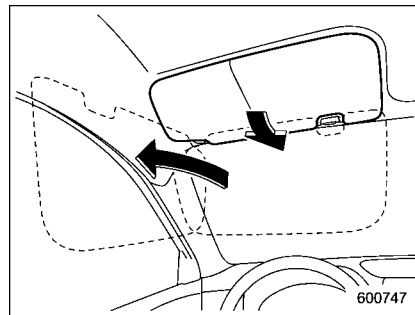
- **Models with genuine SUBARU navigation system:**

The setting can be changed using the navigation monitor. For details, please refer to the Owner's Manual supplement for the navigation system. Also, the setting can be changed by a SUBARU dealer. Contact your SUBARU dealer for details.

- **Models without genuine SUBARU navigation system:**

The setting can be changed by a SUBARU dealer. Contact your SUBARU dealer for details.

Sun visors

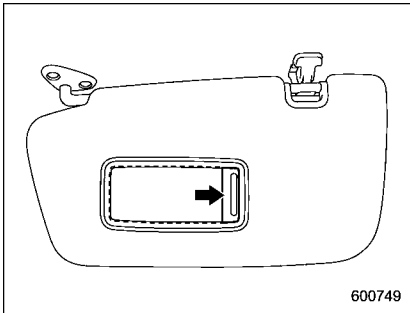


To block out glare, swing down the visors. To use the sun visor at a side window, swing it down and move it sideways.

■ Vanity mirror

▲ CAUTION

Keep the vanity mirror cover closed while the car is being driven to avoid being temporarily blinded by the glare of bright light.



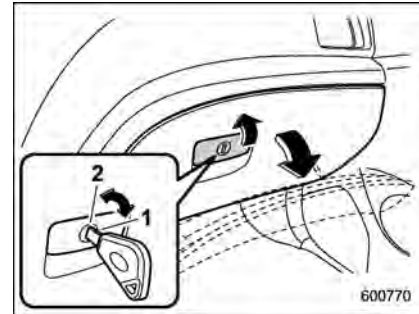
To use the vanity mirror, swing down the sun visor and open the vanity mirror cover.

Storage compartment

▲ CAUTION

- Always keep the storage compartment closed while driving to reduce the risk of injury in the event of a sudden stop or an accident.
- Do not store spray cans, containers with flammable or corrosive liquids or any other dangerous items in the storage compartment.

■ Glove box



- 1) Lock
- 2) Unlock

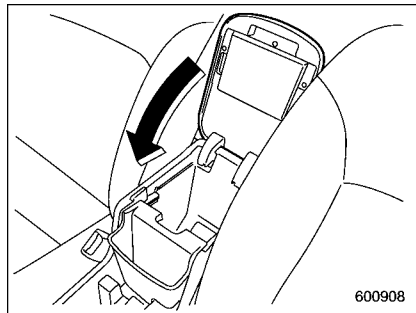
To open the glove box, pull the handle. To close it, push the lid firmly upward.

To lock the glove box, insert the key and turn it clockwise. To unlock the glove box, insert the key and turn it counterclockwise.

■ Center console

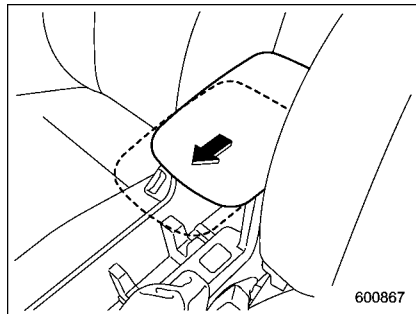
The center console box provides a storage space. In addition, the top of the console can be used as an armrest.

To use as an armrest:



600908

1. Tip the console top forward from its vertical position.



600867

2. Push the armrest part of the console top forward to the desired position. Adjust the position of the armrest to suit your

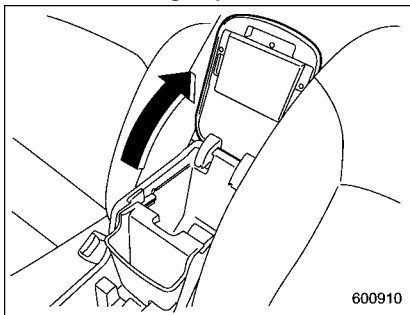
driving position. Make sure the armrest is securely retained.

To return the console top to the vertical position, raise the console top.

CAUTION

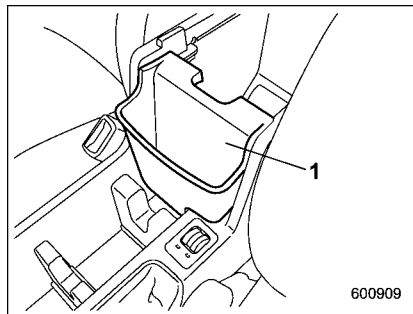
Do not step or sit on the armrest, and do not place heavy objects on it. The armrest could break, and you could get hurt.

To use as storage space:



600910

Raise the console top to the vertical position.



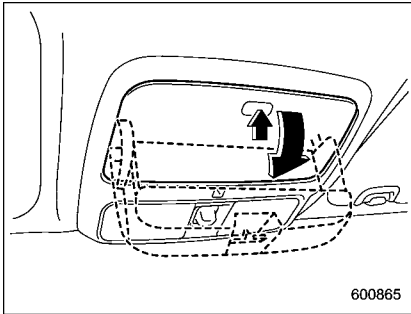
600909

1) Pocket console

The pocket console can be used to store small items.

CAUTION

Be careful not to trap your hands between the console top and console box when raising and tipping the console top.

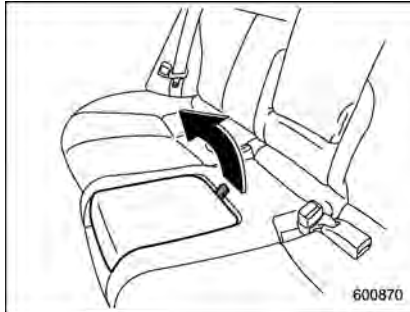
Overhead console

600865

To open the console, push on the console lid lightly and the lid will automatically open.

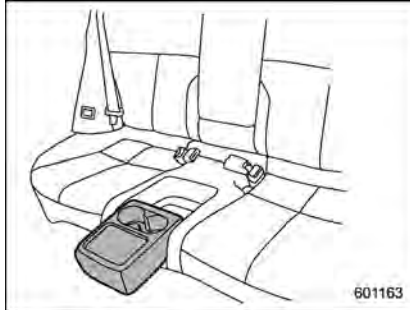
CAUTION

When your vehicle is in the sun or on a warm day, the inside of the overhead console heats up. Avoid storing plastic or other heat-vulnerable or flammable articles such as a lighter in the overhead console.

Rear seat center table (if equipped)

600870

To use the rear seat center table, pull the strap up.



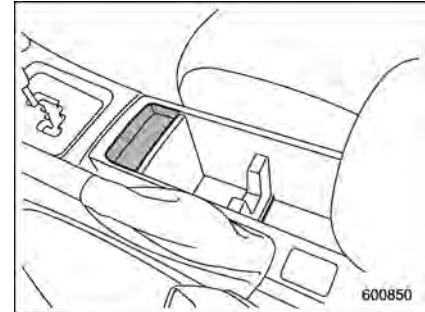
601163

The rear seat center table can be used as a storage space and as rear passenger's

cup holders.

CAUTION

- Do not step or sit on the rear seat center table, and do not place heavy objects on it. The rear seat center table could break, and you could get hurt.
- When pulling out or returning the rear seat center table, make sure not to pinch fingers or other body parts.

Coin tray

600850

A coin tray is built in the center console.

Cup holders

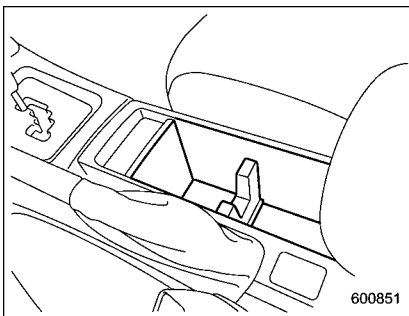
 CAUTION

Take care to avoid spills. Beverages, if hot, might burn you or your passengers. Spilled beverages may also damage upholstery, carpets or audio equipment.

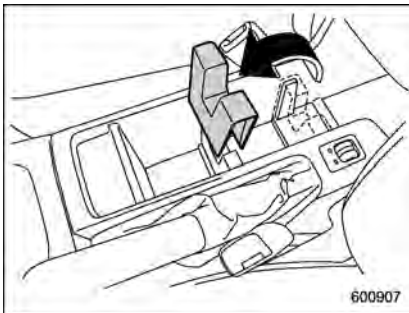
■ Front passenger cup holder

 CAUTION

Do not pick up a cup from the cup holder or put a cup in the holder while you are driving, as this may distract you and lead to an accident.

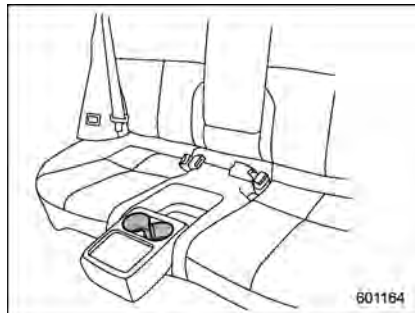


A dual cup holder is built in the center console, beside the parking brake lever.



The cup holder rear partition can be removed and placed on the front partition. This space can be used to store small items.

■ Rear passenger cup holder (if equipped)

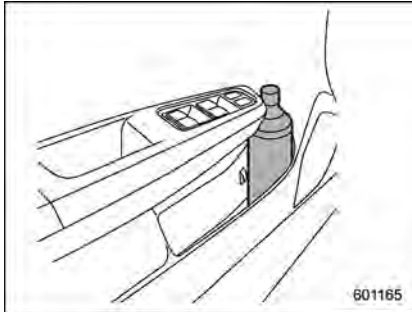


A dual cup holder is located on the rear seat center table.

Bottle holders

CAUTION

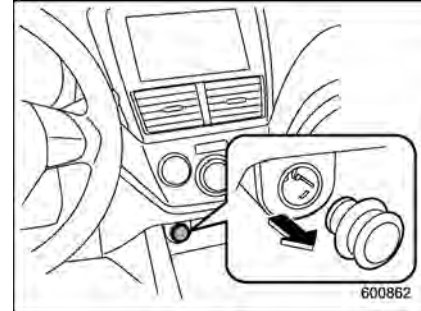
- Do not pick up a bottle from the bottle holder or put a bottle in the holder while you are driving, as this may distract you and lead to an accident.
- When placing a beverage in a door pocket, make sure it is capped. Otherwise, the beverage could spill when opening/closing the door or while driving and, if the beverage is hot, it could scald you.



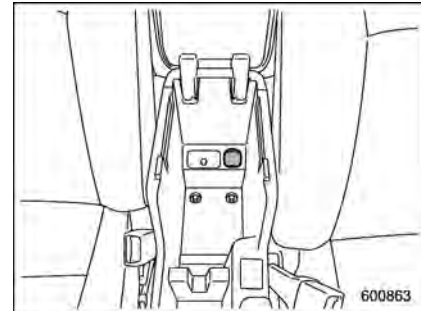
The door pocket equipped on each door

trim can be used to hold beverage bottles and other items.

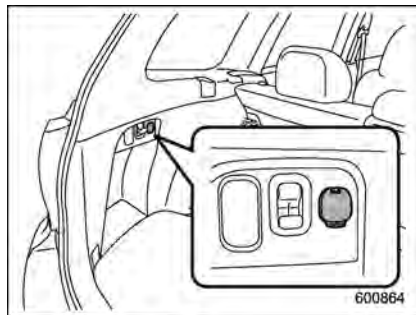
Accessory power outlets



Power outlet below the climate controls



Power outlet in the center console



Power outlet in the cargo area

Accessory power outlets are provided below the climate controls, in the center console and in the cargo area. Electrical power (12V DC) from the battery is available at any of the outlets when the ignition switch is in either the "Acc" or "ON" position.

You can use an in-vehicle electrical appliance by connecting it to an outlet.

The maximum power rating of an appliance that can be connected varies among outlets as shown in the following list. Do not use an appliance which exceeds the indicated wattage for each outlet.

- Outlet below the climate controls: **80W or less**
- Outlets in the center console and cargo area: **120W or less** (When using appli-

ances connected to two outlets simultaneously, the total power consumed by them must not exceed 120W.)

CAUTION

- Do not attempt to use a cigarette lighter in the accessory power outlets.
- Do not place any foreign objects, especially metal ones such as coins or aluminum foil, into the accessory power outlet. That could cause a short circuit. Always put the cap on the accessory power outlet when it is not in use.

- Use only electrical appliances which are designed for 12V DC.

The maximum power rating of an appliance that can be connected varies among outlets as shown in the following list. Do not use an appliance which exceeds the indicated wattage for each outlet.

- Outlet below the climate controls: **80W or less**
- Outlets in the center console and cargo area: **120W or less** (When using appliances connected to two outlets simulta-

neously, the total power consumed by them must not exceed 120W.)

Overloading the accessory power outlet can cause a short circuit. Do not use dual adapters or more than one electrical appliance.

- If the plug on your electric appliance is either too loose or too tight for the accessory power outlet, this can result in a poor contact or cause the plug to get stuck. Only use plugs that fit properly.
- Use of an electric appliance in the accessory power outlet for a long period of time while the engine is not running can cause battery discharge.
- Before driving your vehicle, make sure that the plug and the cord on your electrical appliance will not interfere with your shifting gears and operating the accelerator and brake pedals. If they do, do not use the electrical appliance while driving.

■ Use with a cigarette lighter (dealer option)

To use the accessory power outlet as a cigarette lighter socket, purchase the cigarette lighter plug, which is an optional accessory.

A cigarette lighter plug is available from your SUBARU dealer.

The cigarette lighter operates only when the ignition switch is in the "ON" or "Acc" position.

To use the cigarette lighter, push in the knob and wait a few moments. It will automatically spring up when ready for use.

WARNING

To avoid being burned, never grasp the lighter by the end with the heating element. Doing so could result in injury and could also damage the heating element.

CAUTION

- Do not hold the lighter pushed in, because it will overheat.
- Do not use a non-genuine cigarette lighter plug in the socket. Doing so may cause a short-

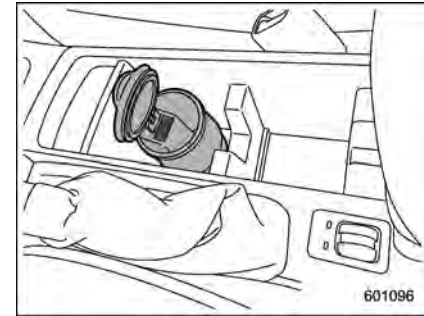
circuit and overheating, resulting in a fire.

- If the socket is ever used for a plug-in accessory such as a cell phone, that may damage the portion of the socket's internal mechanism that causes a cigarette lighter plug to "pop out" after its lighter element is heated. Therefore, do not place a cigarette lighter plug in a socket that has been used, even once, to power a plug-in accessory. Doing so may cause the plug to stick and overheat, creating a potential fire hazard.

Ashtray (if equipped)

CAUTION

Do not use ashtrays as waste receptacles or leave a lighted cigarette in an ashtray. This could cause a fire.



A portable ashtray is available from your SUBARU dealer.

When using the ashtray, open the ashtray lid. Fully close the lid after using it to help reduce residual smoke.

NOTE

Particles of ash and tobacco will accumulate around the hinges of the ash-

tray's inner lid. Clean them off using a toothbrush or another narrow-ended implement.

Floor mat

A retaining pin is located on the driver's side floor.

The floor mat is secured using the built-in grommets, by placing the grommets over the pins and pushing them downward.



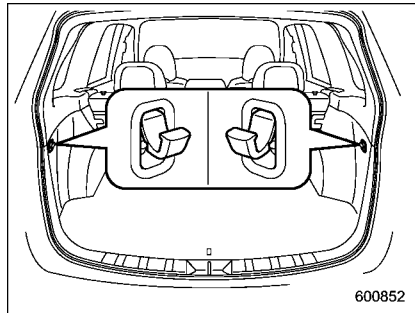
CAUTION

Make sure the driver's floor mat is placed back in its proper location and correctly secured on its retaining pins. Also, do not use more than one floor mat. If the floor mat slips forward and interferes with the movement of the pedals during driving, it could cause an accident.

Shopping bag hook

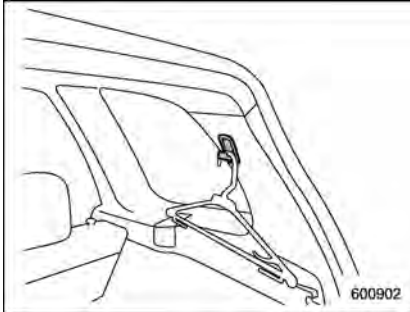
CAUTION

Do not hang items on the shopping bag hook that weigh 6 lbs (3 kg) or more.



A shopping bag hook is attached to each side of the cargo area.

Coat hook



A coat hook is attached to each side of the cargo area.

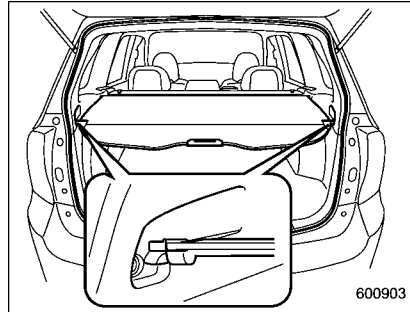
CAUTION

Never hang anything on the coat hook that might obstruct the driver's view or that could cause injury in sudden stops or in a collision. Do not hang items on the coat hook that weigh 6 lbs (3 kg) or more.

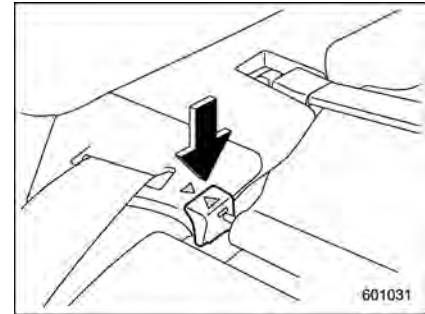
Cargo area cover (dealer option)

The cargo area cover is provided for covering the cargo area and to protect its contents from direct sunlight. This cover is detachable to make room for additional cargo.

■ Using the cover



To extend the cover, pull the end of the cover out of the housing, then insert its hooks into the catches as shown. To rewind it, unhook it from the catches and it will rewind automatically. You should hold on to the cover and guide it back into the cover housing while it is rewinding.



Install the front cover behind the rear seatback.

WARNING

Do not place anything on the extended cover. Putting excessive weight on the extended cover can break it and an object on the cover could tumble forward in the event of a sudden stop or collision. This could cause serious injury.

CAUTION

- Be careful not to scratch the rear gate stays while extending and rewinding the cover. Scratches on the stays could cause leakage

of gas from the stays, which may result in their inability to hold the rear gate open.

- If the vehicle is equipped with a reclining rear seatback feature, when reclining the rear seatback, move the front cover backward so that the cover is not damaged.

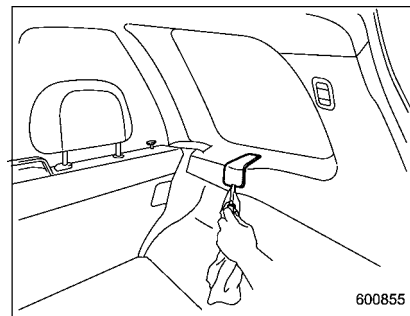
■ To remove the cover

1. Rewind the cover.

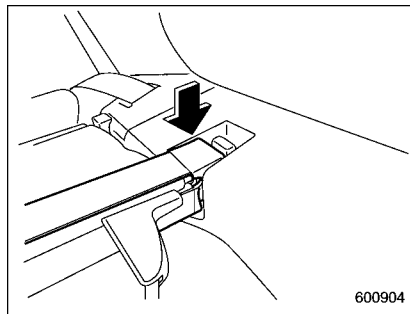


2. Push the switch that is next to the right end of the cover housing.
3. Take it off the retainer.

■ To install the cover housing



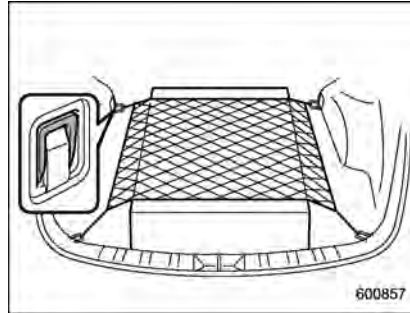
1. Remove the cover of the retainers by prying on the edge with a flat-head screwdriver.



2. Insert the projections located on the

both ends of the sleeve into the recesses of the retainers.

Cargo tie-down hooks



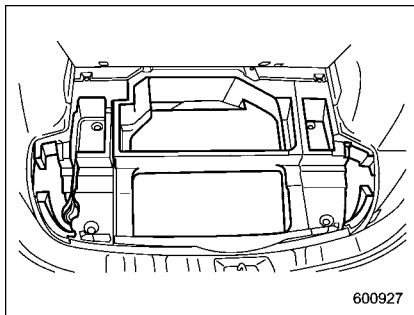
The cargo area is equipped with four tie-down hooks so that cargo can be secured with a cargo net or ropes.

When using the tie-down hooks, turn them down out of the storing recesses. When not in use, put the hooks up into the storing recesses.

CAUTION

The cargo tie-down hooks are designed only for securing light cargo. Never try to secure cargo that exceeds the capacity of the hooks. The maximum load capacity is 44 lbs (20 kg) per hook.

Under-floor storage compartment (if equipped)



The storage compartment is located under the floor of the cargo area, and it can be used to store small items. To open the lid, pull the tab up.



CAUTION

- Always keep the lids closed while driving to reduce the risk of injury in the event of a sudden stop or an accident.

- Do not store spray cans, containers with flammable or corrosive liquids or any other dangerous items in the storage compartment.

Fuel	7-3	Maximum speeds	7-20
Fuel requirements	7-3	Driving tips.....	7-21
Fuel filler lid and cap.....	7-4	SPORT mode.....	7-21
State emission testing (U.S. only)	7-7	Shift lock release	7-22
Preparing to drive	7-8	Power steering	7-23
Starting the engine	7-8	Braking	7-23
Manual transmission model.....	7-8	Braking tips.....	7-23
Automatic transmission model	7-9	Brake system	7-23
Stopping the engine	7-10	Disc brake pad wear warning indicators	7-24
Remote engine start system		ABS (Anti-lock Brake System)	7-24
(dealer option)	7-11	ABS system self-check	7-25
Starting your vehicle	7-11	ABS warning light.....	7-25
Remote start safety features	7-11	Electronic Brake Force Distribution (EBD)	
Entering the vehicle while it is running via remote		system	7-26
start.....	7-12	Steps to take if EBD system malfunctions	7-26
Entering the vehicle following remote engine start		Vehicle Dynamics Control system	7-27
shutdown.....	7-12	Vehicle Dynamics Control system monitor.....	7-29
Pre-heating or pre-cooling the interior of the		Vehicle Dynamics Control OFF switch	7-31
vehicle	7-12	Tire pressure monitoring system (TPMS)	
Service mode	7-12	(U.S.-spec. models).....	7-32
Remote transmitter programming and		Parking your vehicle	7-33
programmable feature option.....	7-12	Parking brake	7-33
System maintenance	7-13	Parking tips	7-33
Manual transmission	7-15	Hill start assist system (MT vehicles)	7-35
Shifting speeds	7-15	Hill start assist warning light.....	7-36
Driving tips	7-16	Cruise control	7-36
Automatic transmission	7-16	To set cruise control	7-36
Selector lever.....	7-17	To temporarily cancel the cruise control.....	7-37
Selector lever reverse inhibiting function	7-18	To turn off the cruise control.....	7-38
Selection of manual mode	7-19	To change the cruising speed	7-38

Cruise control indicator light 7-39

Cruise control set indicator light 7-39

Fuel

CAUTION

Use of a fuel which is low in quality or use of an inappropriate fuel additive may cause engine damage.

■ Fuel requirements

▼ Non-turbo models

The 2.5-liter non-turbo engine is designed to operate using **unleaded gasoline** with an octane rating of **87 AKI or higher**.

▼ Turbo models

The 2.5-liter turbo engine is designed to operate using premium **unleaded gasoline** with an octane rating of **91 AKI or higher**. If premium unleaded gasoline is not available, regular unleaded gasoline with an octane rating of 87 AKI or higher may be temporarily used. For optimum engine performance and driveability, it is required that you use premium grade unleaded gasoline.

NOTE

Be sure to use premium unleaded gasoline of 91 AKI or higher for turbo engine models. If other gasoline (lower

than 91 AKI) is used, knocking, reduced output and poor accelerator response will result.

▼ Fuel octane rating

This octane rating is the average of the Research Octane and Motor Octane numbers and is commonly referred to as the Anti Knock Index (AKI).

Using a gasoline with a lower octane rating can cause persistent and heavy knocking, which can damage the engine. Do not be concerned if your vehicle sometimes knocks lightly when you drive up a hill or when you accelerate. Contact your SUBARU dealer if you use a fuel with the specified octane rating and your vehicle knocks heavily or persistently.

▼ Unleaded gasoline

The neck of the fuel filler pipe is designed to accept only an unleaded gasoline filler nozzle. Under no circumstances should leaded gasoline be used because it will damage the emission control system and may impair driveability and fuel economy.

▼ Gasoline for California-certified LEV

If your vehicle was certified to California's low emission vehicle (LEV) standards as indicated on the underhood tune-up label, it is designed to optimize engine and

emission performance with gasoline that meets the clean burning low-sulfur California gasoline specifications. If you live in any other state than California, your vehicle will operate on gasoline meeting Federal specifications. Gasoline sold outside California is permitted to have higher sulfur levels, which may affect the performance of your vehicle's catalytic converter and may produce a sulfur exhaust odor or smell. SUBARU recommends that you try a different brand of unleaded gasoline having lower sulfur to determine if the problem is fuel related before returning your vehicle to an authorized dealer for service.

▼ MMT

Some gasoline contains an octane-enhancing additive called MMT (Methylcyclopentadienyl Manganese Tricarbonyl). If you use such fuels, your emission control system performance may deteriorate and the CHECK ENGINE warning light/Malfunction indicator lamp may turn on. If this happens, return to your authorized SUBARU Dealer for service. If it is determined that the condition is caused by the type of fuel used, repairs may not be covered by your warranty.

▼ Gasoline for cleaner air

Your use of gasoline with detergent additives will help prevent deposits from forming in your engine and fuel system. This helps keep your engine in tune and your emission control system working properly, and is a way of doing your part for cleaner air. If you continuously use a high quality fuel with the proper detergent and other additives, you should never need to add any fuel system cleaning agents to your fuel tank.

Many gasolines are now blended with materials called oxygenates. Use of these fuels can also help keep the air cleaner. Oxygenated blend fuels, such as MTBE (Methyl Tertiary Butyl ether) or ethanol (ethyl or grain alcohol) may be used in your vehicle, but should contain no more than 15% MTBE or 10% ethanol for the proper operation of your SUBARU.

In addition, some gasoline suppliers are now producing reformulated gasolines, which are designed to reduce vehicle emissions. SUBARU approves the use of reformulated gasoline.

If you are not sure what the fuel contains, you should ask your service station operators if their gasolines contain detergents and oxygenates and if they have

been reformulated to reduce vehicle emissions.

As additional guidance, only use fuels suited for your vehicle as explained in the following description.

- Fuel should be unleaded and have an octane rating no lower than that specified in this manual.
- Methanol (methyl or wood alcohol) is sometimes mixed with unleaded gasoline. Methanol can be used in your vehicle **ONLY** if it does not exceed 5% of the fuel mixture **AND** if it is accompanied by sufficient quantities of the proper cosolvents and corrosion inhibitors required to prevent damage to the fuel system. Do not use fuel containing methanol **EXCEPT** under these conditions.
- If undesirable driveability problems are experienced and you suspect they may be fuel related, try a different brand of gasoline before seeking service at your SUBARU dealer.
- Fuel system damage or driveability problems which result from the use of improper fuel are not covered under the SUBARU Limited Warranty.



CAUTION

Do not let fuel spill on the exterior surfaces of the vehicle. Because

fuel may damage the paint, be sure to wipe off any spilled fuel quickly. Paint damage caused by spilled fuel is not covered under the SUBARU Limited Warranty.

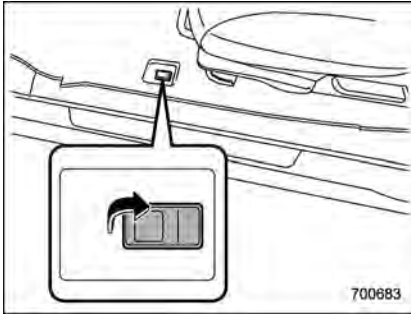
■ Fuel filler lid and cap

▼ Refueling

Only one person should be involved in refueling. Do not allow others to approach the area of the vehicle near the fuel filler pipe while refueling is in progress.

Be sure to observe any other precautions that are posted at the service station.

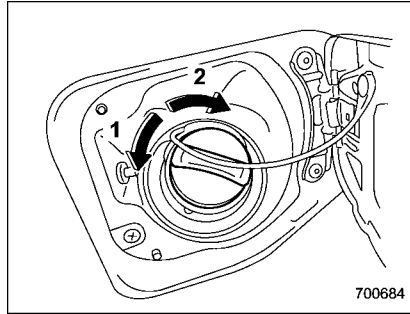




1. To open the fuel filler lid, pull the lid release lever up. The lever is on the floor at the left of the driver's seat.

WARNING

Before opening the fuel filler cap, first touch the vehicle body or a metal portion of the fuel pump or similar object to discharge any static electricity that may be present on your body. If your body is carrying an electrostatic charge, there is a possibility that an electric spark could ignite the fuel, which could burn you. To avoid acquiring a new static electric charge, do not get back into the vehicle while refueling is in progress.



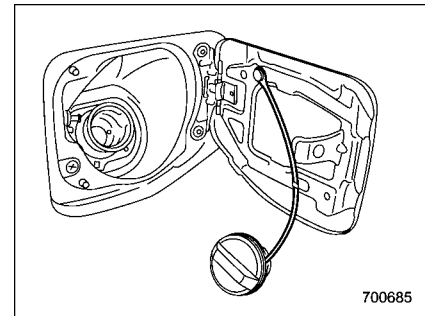
- 1) Open
- 2) Close

2. Remove the fuel filler cap by turning it slowly counterclockwise.

WARNING

- Gasoline vapor is highly flammable. Before refueling, always first stop the engine and close all vehicle doors and windows. Make sure that there are no lighted cigarettes, open flames or electrical sparks in the adjacent area. Only handle fuel outdoors. Quickly wipe up any spilled fuel.

- When opening the cap, grasp it firmly and turn it slowly to the left. Do not remove the cap quickly. Fuel may be under pressure and spray out of the fuel filler neck, especially in hot weather. If you hear a hissing sound while you are removing the cap, wait for the sound to stop and then slowly open the cap to prevent fuel from spraying out and creating a fire hazard.




3. Hook the cord that is attached to the fuel filler cap onto the hook inside the fuel filler lid.

**WARNING**

- When refueling, insert the fuel nozzle securely into the fuel filler pipe. If the nozzle is lifted or not fully inserted, its automatic stopping mechanism may not function, causing fuel to overflow the tank and creating a fire hazard.
- Stop refueling when the automatic stop mechanism on the fuel nozzle activates. If you continue to add fuel, temperature changes or other conditions may cause fuel to overflow from the tank and create a fire hazard.

4. Stop filling the tank after the fuel filler pump automatically stops. Do not add any more fuel.
5. Put the cap back on, turn it clockwise until you hear a clicking noise. Be certain not to catch the tether under the cap while tightening.
6. Close the fuel filler lid completely. If you spill any fuel on the painted surface, rinse it off immediately. Otherwise, the painted surface could be damaged.

NOTE

- You will see the “” sign in the fuel gauge. This indicates that the fuel filler door (lid) is located on the right side of the vehicle.
- If the fuel filler cap is not tightened until it clicks or if the tether is caught under the cap, the CHECK ENGINE warning light/malfunction indicator lamp may illuminate. Refer to “CHECK ENGINE warning light/Malfunction indicator lamp” 3-12.

**CAUTION**

- Never add any cleaning agents to the fuel tank. The addition of a cleaning agent may cause damage to the fuel system.
- After refueling, turn the cap to the right until it clicks to ensure that it is fully tightened. If the cap is not securely tightened, fuel may leak out while the vehicle is being driven or fuel spillage could occur in the event of an accident, creating a fire hazard.
- Do not let fuel spill on the exterior surfaces of the vehicle. Because fuel may damage the paint, be sure to wipe off any spilled fuel quickly. Paint damage caused by

spilled fuel is not covered under the SUBARU Limited Warranty.

- Always use a genuine SUBARU fuel filler cap. If you use the wrong cap, it may not fit or have proper venting and your fuel tank and emission control system may be damaged. It could also lead to fuel spillage and a fire.
- Immediately put fuel in the tank whenever the low fuel warning light illuminates. Engine misfires as a result of an empty tank could cause damage to the engine.

State emission testing (U.S. only)

At state inspection time, remember to tell your inspection or service station in advance not to place your SUBARU AWD vehicle on a two-wheel dynamometer. Otherwise, serious transmission damage will result.

Some states have started using dynamometers in their state inspection programs in order to meet their obligation under federal law to implement stricter vehicle emission standards to reduce air pollution from vehicles. A dynamometer is a treadmill or roller-like testing device that allows your vehicle's wheels to turn while the vehicle remains in one place. Depending on the severity of a state's air pollution problems, the states must adopt either a "basic" or "enhanced" vehicle emission inspection test. Normally, a portion of the basic emission test consists of an emission inspector inserting an analyzer probe into the exhaust pipe of an idling vehicle for a short period of time. States with more severe air pollution problems are required to adopt an enhanced vehicle emission test. This test simulates actual driving conditions on a dynamometer and permits more accurate measurement of tailpipe emitted pollution than the basic emission

test.

The U.S. Environmental Protection Agency (EPA) and states using two-wheel dynamometers in their emission testing programs have **EXEMPTED** SUBARU AWD vehicles from the portion of the testing program that involves a two-wheel dynamometer.

There are some states that use four-wheel dynamometers in their testing programs. When properly used, that equipment will not damage an AWD SUBARU vehicle.

Under no circumstances should the rear wheels be jacked off the ground, nor should the driveshaft be disconnected for state emission testing.

WARNING

Testing of an All-Wheel Drive vehicle must NEVER be performed on a single two-wheel dynamometer. Attempting to do so will result in uncontrolled vehicle movement and may cause an accident or injuries to persons nearby.

CAUTION

Resultant vehicle damage due to improper testing is not covered under the SUBARU Limited Warranty and is the responsibility of the state inspection program or its contractors or licensees.

The EPA has issued regulations for inspecting the On-Board Diagnostic (OBD) system as part of the state emissions inspection. The OBD system is designed to detect engine and transmission problems that might cause vehicle emissions to exceed allowable limits. These inspections apply to all 1996 model year and newer passenger cars and light trucks. Over 30 states plus the District of Columbia have implemented the OBD system inspection.

- The inspection of the OBD system consists of a visual operational check of the "CHECK ENGINE" warning light/malfunction indicator lamp (MIL) and an examination of the OBD system with an electronic scan tool while the engine is running.
- A vehicle passes the OBD system inspection if proper illumination of the "CHECK ENGINE" warning light/MIL is observed, there are **no** stored diagnostic

trouble codes, and the OBD system readiness monitors are complete.

- A vehicle fails the OBD inspection if the “**CHECK ENGINE**” warning light/MIL is not properly operating or there are one or more diagnostic trouble codes stored in the vehicle’s computer with the “**CHECK ENGINE**” warning light/MIL illuminated.
- A state emission inspection may reject (not pass or fail) a vehicle if the number of OBD system readiness monitors “**Not Ready**” is greater than one. Under this condition, the vehicle operator should be instructed to drive his/her vehicle for a few days to set the monitors and return for an emission re-inspection.
- Owners of rejected or failing vehicles should contact their SUBARU Dealer for service.

Preparing to drive

You should perform the following checks and adjustments every day before you start driving.

1. Check that all windows, mirrors, and lights are clean and unobstructed.
2. Check the appearance and condition of the tires. Also check tires for proper inflation.
3. Look under the vehicle for any sign of leaks.
4. Check that the hood and rear gate are fully closed.
5. Check the adjustment of the seat.
6. Check the adjustment of the inside and outside mirrors.
7. Fasten your seatbelt. Check that your passengers have fastened their seatbelts.
8. Check the operation of the warning and indicator lights when the ignition switch is turned to the “ON” position.
9. Check the gauges, indicator and warning lights after starting the engine.

NOTE

Engine oil, engine coolant, brake fluid, washer fluid and other fluid levels should be checked daily, weekly or at fuel stops.

Starting the engine



CAUTION

Do not operate the starter motor continuously for more than 10 seconds. If the engine fails to start after operating the starter for 5 to 10 seconds, wait for 10 seconds or more before trying again.

■ Manual transmission model

1. Apply the parking brake.
2. Turn off unnecessary lights and accessories.
3. Press the clutch pedal to the floor and shift the shift lever into neutral. Hold the clutch pedal to the floor while starting the engine.

The starter motor will only operate when the clutch pedal is pressed fully to the floor.

4. Turn the ignition switch to the “ON” position and check the operation of the warning and indicator lights. Refer to “Warning and indicator lights” 3-9.
5. Turn the ignition switch to the “START” position **without** depressing the accelerator pedal. Release the key immediately after the engine has started.

If the engine does not start, try the following.

- (1) Turn the ignition switch to the "OFF" position and wait for at least 10 seconds. After checking that the parking brake is firmly set, turn the ignition switch to the "START" position while depressing the accelerator pedal slightly (approximately a quarter of the full stroke). Release the accelerator pedal as soon as the engine starts.
 - (2) If this fails to start the engine, turn the ignition switch back to the "OFF" position and wait for at least 10 seconds. Then fully depress the accelerator pedal and turn the ignition switch to the "START" position. If the engine starts, quickly release the accelerator pedal.
 - (3) If this fails to start the engine, turn the ignition switch again to the "OFF" position. After waiting for 10 seconds or longer, turn the ignition switch to the "START" position without depressing the accelerator pedal.
 - (4) If the engine still refuses to start, contact your nearest SUBARU dealer for assistance.
6. Confirm that all warning and indicator lights have gone off after the engine has started. The fuel injection system automatically lowers the idle speed as the

engine warms up.

NOTE

- **The engine may be difficult to start when the battery has been disconnected and reconnected (for maintenance or other purposes). This difficulty is caused by the electronically controlled throttle's self-diagnosis function. To overcome it, keep the ignition switch in the "ON" position for approximately 10 seconds before starting the engine.**
- **For non-turbo models, to protect the engine while the shift lever is in the neutral position, the engine is controlled so that the engine speed may not become too high even if the accelerator pedal is depressed hard.**

■ Automatic transmission model

1. Apply the parking brake.
2. Turn off unnecessary lights and accessories.
3. Shift the selector lever to the "P" or "N" position (preferably "P" position).
The starter motor will only operate when the selector lever is at the "P" or "N" position.
4. Turn the ignition switch to the "ON"

position and check the operation of the warning and indicator lights. Refer to "Warning and indicator lights" 3-9.

5. Turn the ignition switch to the "START" position **without** depressing the accelerator pedal. Release the key immediately after the engine has started.

If the engine does not start, try the following.

- (1) Turn the ignition switch to the "OFF" position and wait for at least 10 seconds. After checking that the parking brake is firmly set, turn the ignition switch to the "START" position while depressing the accelerator pedal slightly (approximately a quarter of the full stroke). Release the accelerator pedal as soon as the engine starts.
- (2) If this fails to start the engine, turn the ignition switch back to the "OFF" position and wait for at least 10 seconds. Then fully depress the accelerator pedal and turn the ignition switch to the "START" position. If the engine starts, quickly release the accelerator pedal.
- (3) If this fails to start the engine, turn the ignition switch again to the "OFF" position. After waiting for 10 seconds or longer, turn the ignition switch to the "START" position without depressing the accelerator pedal.

(4) If the engine still refuses to start, contact your nearest SUBARU dealer for assistance.

6. Confirm that all warning and indicator lights have gone out after the engine has started. The fuel injection system automatically lowers the idle speed as the engine warms up.

While the engine is warming up, make sure that the selector lever is at the "P" or "N" position and that the parking brake is applied.



CAUTION

If you restart the engine while the vehicle is moving, shift the selector lever into the "N" position. Do not attempt to place the selector lever of a moving vehicle into the "P" position.

NOTE

• The engine may be difficult to start when the battery has been disconnected and reconnected (for maintenance or other purposes). This difficulty is caused by the electronically controlled throttle's self-diagnosis function. To overcome it, keep the ignition switch in the "ON" position

for approximately 10 seconds before starting the engine.

• For non-turbo models, to protect the engine while the selector lever is in the "P" or "N" position, the engine is controlled so that the engine speed may not become too high even if the accelerator pedal is depressed hard.

Stopping the engine

The ignition switch should be turned off only when the vehicle is stopped and the engine is idling.



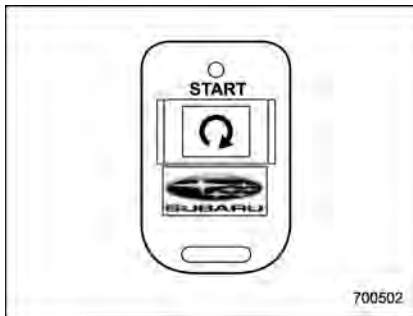
WARNING

Do not stop the engine when the vehicle is moving. This will cause loss of power to the power steering and the brake booster, making steering and braking more difficult. It could also result in accidental activation of the "LOCK" position on the ignition switch, causing the steering wheel to lock.



Remote engine start system (dealer option)

WARNING

- Do not remote start a vehicle in an enclosed environment (e.g., in a closed garage). Prolonged operation of a motor vehicle in an enclosed environment can cause a harmful build-up of Carbon Monoxide. Carbon Monoxide is harmful to your health. Exposure to high levels of Carbon Monoxide can cause headaches, dizziness or in extreme cases unconsciousness and/or death.
- Before performing any servicing of the vehicle, temporarily place the remote engine start system in service mode to prevent the system from unexpectedly starting the engine.



■ Starting your vehicle

The remote control start system is activated by pressing the “” button twice within 3 seconds on your remote control transmitter. The system will check certain pre-conditions before starting, and if all safety parameters are correct, the engine will start within 5 seconds. While the vehicle is operating via remote engine start, the vehicle’s power window features will be disabled. Also, the system has a timer and will shut down after 15 minutes if you do not operate the vehicle. Press and hold the “” button for 2 seconds again to turn the vehicle off. If the vehicle’s starter cranks but does not start or starts and stalls, the remote engine start system will power off then attempt to start the vehicle

an additional four times. If the vehicle fails to start after the additional attempts, the remote engine start system will abort and return to a non-activated state.

■ Remote start safety features

For safety and security reasons, the system will fail to start and beep the horn twice or shut down the engine during remote start operation if any of the following conditions occur.

- The brake pedal is pressed before the vehicle ignition switch is turned “on”.
- The key was already in the ignition switch.
- The engine hood is opened.
- The vehicle’s engine idle speed has reached a level over 3,000 rpm.
- The alarm is triggered by opening a door or the rear gate.

NOTE

- The security indicator light on the dashboard will stop flashing while under remote engine start operation, but the vehicle is still protected.
- If the vehicle is entered during remote engine start operation, the system will not record entry in the alarm history.

■ Entering the vehicle while it is running via remote start

1. Unlock the vehicle doors using the keyless entry system. If the vehicle's doors are unlocked manually using the key, the vehicle's alarm system will trigger and the remote engine start system will turn off. Inserting the key into the ignition switch and turning it to the "ON" position or pressing the unlock button "🔓" on the remote keyless entry transmitter will disarm the alarm system. Refer to "Alarm system" 2-14.

2. Enter the vehicle. Do not depress the brake pedal.

3. Insert the key into the ignition switch and turn to the "ON" position. If the ignition switch is accidentally turned to the "START" position, the system's "starter anti-grind" feature will prevent the starter from re-cranking.

4. Depress the brake pedal. The remote starter disengages, the vehicle's power window features are re-enabled and the vehicle will operate normally.

■ Entering the vehicle following remote engine start shutdown

An alarm trigger may occur if the vehicle is opened by the remote keyless entry

transmitter within a few seconds immediately following remote engine start shutdown.

■ Pre-heating or pre-cooling the interior of the vehicle

Before exiting the vehicle, set the temperature controls to the desired setting and operation. After the system starts the vehicle, the heater or air-conditioning will activate and heat or cool the interior to your setting.

■ Service mode

In service mode, the remote start function is temporarily disabled to prevent the system from unexpectedly starting the engine while being serviced.

▼ To engage the service mode

Turn the ignition switch to the "ON" position, depress and hold the brake pedal, then press and release the "🔑" button on the remote control transmitter three times. The system will pause for 1 second and then flash the turn signal lights and honk the horn three times indicating that the system is in service mode. When attempting to activate the remote start system while in service mode, the turn signal lights will flash and the horn will honk two times and will not

start.

▼ To disengage the service mode

Turn the ignition switch to the "ON" position, depress and hold the brake pedal, then press and release the "🔑" button on the remote control transmitter three times. The system will pause for 1 second and flash the turn signal lights 1 time indicating that the system has exited service mode.

NOTE

When taking your vehicle in for service, it is recommended that you inform the service personnel that your vehicle is equipped with a remote control start system.

■ Remote transmitter programming and programmable feature option

New transmitters can be programmed to the engine starter system in the event that remote transmitters are lost, stolen or damaged. The remote engine start system also has one programmable feature that can be adjusted for user preference.

The remote engine starter system can be programmed to either make an audible horn chirp upon remote start activation or not. Remote transmitter programming and

feature programming can be adjusted using the following procedure.

1. Open the driver's door (the driver's door must remain opened throughout the entire process).
2. Insert the key into the vehicle's ignition switch and turn to the "ON" position.
3. Locate the small black programming button behind the fuse box cover, on the driver's side left under the dashboard panel.
4. Press and hold the black programming button for 10 to 15 seconds. The horn will honk and the turn signal lights will flash three times to indicate that the system has entered programming mode. At this point you can proceed to either step 5 or step 6.
5. To program a remote transmitter: press and release the "Q" button on each transmitter. The horn will honk and the turn signal lights will flash one time to indicate a successful transmitter learn each time the "Q" button is pressed. You can program up to eight transmitters.
6. To toggle the Horn Confirmation chirps ON/OFF: press and release the brake to toggle the feature. The horn will chirp and the turn signal lights will flash one time to indicate Confirmation Horn Chirps are "OFF". The horn will honk and the turn signal lights will flash 2 times to indicate Confirmation Horn Chirps are "ON".

Pressing the brake pedal repeatedly will toggle the feature ON or OFF each time.

7. To exit the remote transmitter and feature programming mode, turn the ignition switch to the "LOCK" position, remove the key from the ignition switch and test operation of the remote transmitter(s) and horn confirmation feature.

■ System maintenance

▼ Changing the remote control batteries



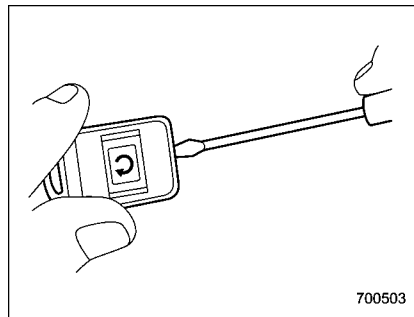
CAUTION

- Do not let dust, oil or water get on or in the remote engine start transmitter when replacing the battery.
- Be careful not to damage the printed circuit board in the remote engine start transmitter when replacing the battery.
- Be careful not to allow children to touch the battery and any removed parts; children could swallow them.
- There is a danger of explosion if an incorrect replacement battery is used. Replace only with the same or equivalent type of bat-

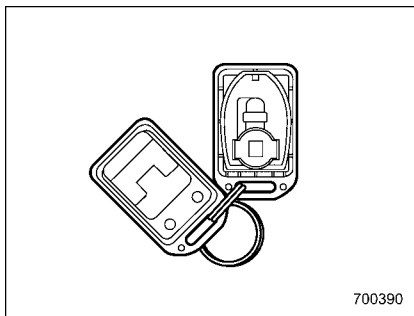
tery.

- Batteries should not be exposed to excessive heat such as sunshine, fire or the like.

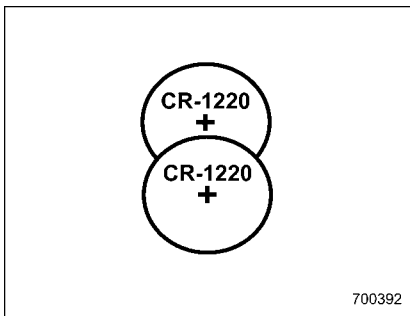
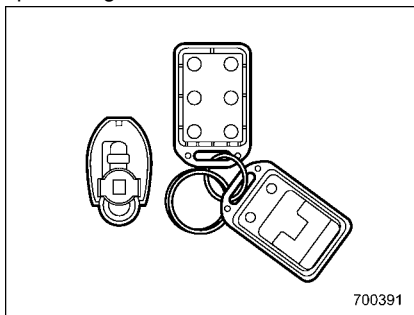
The two 3-volt lithium batteries (model CR-1220) supplied in your remote control should last approximately 3 years, depending on usage. When the batteries begin to weaken, you will notice a decrease in range (distance from the vehicle that your remote control operates). Follow the instructions below to change the remote control batteries.



700503



1. Carefully pry the remote control halves apart using a small flat-head screwdriver.



2. Remove the circuit board from the bottom half of the case and slide the white plastic battery holder out from under the battery tab releasing the batteries. Remove the old batteries and replace with new ones. Be sure to observe the (+) sign on the old batteries before removing them to ensure that the new batteries are inserted properly (battery "+" should be pointed away from the transmitter circuit board on both batteries).
3. Carefully snap the case halves back together, then test the remote control.

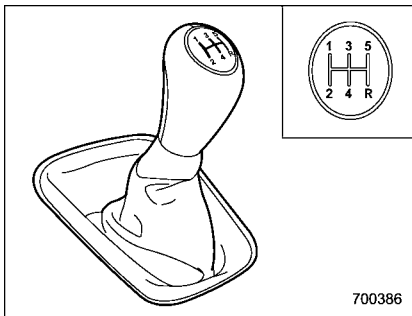
NOTE

This device complies with Part 15 of the FCC Rules and with RSS-210 of Industry Canada. Operation is subject to the following two conditions: (1) This

device may not cause harmful interference, and (2) this device must accept any interference received, including interference that may cause undesired operation.

Changes or modifications not expressly approved by the party responsible for compliance could void the user's authority to operate the equipment.

Manual transmission



The manual transmission is a fully synchromeshed, 5-forward-speed and 1-reverse-speed transmission.

The shift pattern is shown on the shift lever knob. When shifting from 5th gear to reverse gear, first return the shift lever to the neutral position then shift into reverse gear.

To change gears, fully depress the clutch pedal, move the shift lever, and gradually let up on the clutch pedal.

If it is difficult to shift into gear, put the transmission in neutral, release the clutch pedal momentarily, and then try again.

⚠ WARNING

Do not drive the vehicle with the clutch disengaged (i.e., when the clutch pedal is depressed) or with the shift lever in the neutral position. Engine braking has no effect in either of these conditions and the risk of an accident is consequently increased.

⚠ CAUTION

Shift into reverse **ONLY** when the vehicle has completely stopped. It may cause damage to the transmission to try shifting into reverse when the vehicle is moving.

■ Shifting speeds

▼ Recommended shifting speeds

The best compromise between fuel economy and vehicle performance during normal driving is ensured by shifting up at the speeds listed in the following table.

Shift up	mph (km/h)
1st to 2nd	15 (24)
2nd to 3rd	25 (40)
3rd to 4th	40 (64)
4th to 5th	45 (72)

▼ Maximum allowable speeds

The following tables show the maximum speeds that are possible with each different gear.

Never exceed the speed limit listed in the following table for each gear position except for brief acceleration in an emergency. The tachometer's needle will enter the red area if these speeds are exceeded. Failure to observe this precaution can lead to excessive engine wear and poor fuel economy.

	mph (km/h)
1st	30 (49)
2nd	52 (83)
3rd	73 (118)

– CONTINUED –

Never exceed the posted speed limit.



WARNING

When shifting down a gear, ensure that the vehicle is not travelling at a speed exceeding the Maximum Allowable Speed for the gear which is about to be selected. Failure to observe this precaution can lead to engine over-revving and this in turn can result in engine damage.

In addition, sudden application of engine brakes when the vehicle is travelling on a slippery surface can lead to wheel locking; as a consequence, control of the vehicle may be lost and the risk of an accident increased.

■ **Driving tips**

Do not drive with your foot resting on the clutch pedal and do not use the clutch to hold your vehicle at a standstill on an upgrade. Either of those actions may cause clutch damage.

Do not drive with your hand resting on the shift lever. This may cause wear on the transmission components.

When it is necessary to reduce vehicle

speed due to slow traffic, turning corners, or driving up steep hills, downshift to a lower gear before the engine starts to labor.

On steep downgrades, downshift the transmission to 4th, 3rd or 2nd gear as necessary; this helps to maintain a safe speed and to extend brake pad life.

In this way, the engine provides a braking effect. Remember, if you "ride" (over use) the brakes while descending a hill, they may overheat and not work properly.

The engine may, on rare occasions, knock when the vehicle rapidly accelerates or rapidly pulls away from a standstill. This phenomenon is not an indication of a problem in your vehicle.

Automatic transmission

The automatic transmission is electronically controlled and provides 4 forward speeds and 1 reverse speed. Also, it has a manual mode and a SPORT mode.



WARNING

Do not shift from the "P" or "N" position into the "D" or "R" position while depressing the accelerator pedal. This may cause the vehicle to jump forward or backward.



CAUTION

- Shift into the "P" or "R" position only after the vehicle is completely stopped. Shifting while the vehicle is moving may cause damage to the transmission.
- Do not race the engine for more than 5 seconds in any position except the "N" or "P" position when the brake is set or when chocks are used in the wheels. This may cause the automatic transmission fluid to overheat.
- Avoid shifting from one of the forward driving positions into the

“R” position or vice versa until the vehicle has completely stopped. Such shifting may cause damage to the transmission.

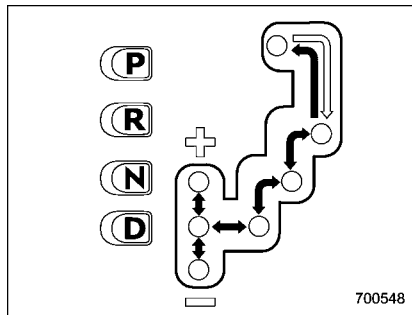
- When parking the vehicle, first securely apply the parking brake and then place the selector lever in the “P” position. Avoid parking for a long time with the selector lever in any other position as doing so could result in a dead battery.

NOTE

- When the engine coolant temperature is still low, the automatic transmission will upshift to higher engine speeds than when the coolant temperature is sufficiently high in order to shorten the warm-up time and improve driveability. The gearshift timing will automatically shift to the normal timing after the engine has warmed up.
- Immediately after ATF (automatic transmission fluid) is replaced, you may feel that the automatic transmission operation is somewhat unusual. This results from invalidation of data which the on-board computer has collected and stored in memory to

allow the transmission to shift at the most appropriate times for the current condition of your vehicle. Optimized shifting will be restored as the vehicle continues to be driven for a while.

■ Selector lever



⇨: Shift possible with brake pedal depressed

➔: Shift possible with brake pedal not depressed

The selector lever has four positions, “P”, “R”, “N”, “D” and also has manual gate for using “SPORT” mode or manual mode.

▼ P (Park)

This position is for parking the vehicle and starting the engine. In this position, the transmission is me-

chanically locked to prevent the vehicle from rolling freely.

When you park the vehicle, first set the parking brake fully, then shift into the “P” position. Do not hold the vehicle with only the transmission.

To shift the selector lever from the “P” to any other position, you should depress the brake pedal fully then move the selector lever. This prevents the vehicle from lurching when it is started.

▼ R (Reverse)

This position is for backing the vehicle.

To shift from the “N” to “R” position, stop the vehicle completely then move the lever to the “R” position.

When the ignition switch has been turned to the “LOCK” position, movement of the selector lever from the “N” position to the “R” position is possible for a limited time period by depressing the brake pedal, and then it becomes impossible. For details, refer to “Selector lever reverse inhibiting function” 7-18.

▼ N (Neutral)

This position is for restarting a stalled engine.

In this position the wheels and transmission are not locked. In this position, the

transmission is neutral; the vehicle will roll freely, even on the slightest incline unless the parking brake or foot brake is on.

Avoid coasting with the transmission in neutral.

During coasting, there is no engine braking effect.

NOTE

If the selector lever is in the “N” position when you stop the engine for parking, you may not subsequently be able to move it to the “R” and “P” positions. If this happens, turn the ignition switch to the “ON” position. You will then be able to move the selector lever to the “P” position.



WARNING

Do not drive the vehicle with the selector lever in the “N” (neutral) position. Engine braking has no effect in this condition and the risk of an accident is consequently increased.

▼ D (Drive)

This position is for normal driving.

The transmission automatically shifts into a suitable gear from 1st to 4th according to the vehicle speed and the acceleration

you require.

When more acceleration is required in this position, depress the accelerator pedal fully to the floor and hold that position. The transmission will automatically downshift to 3rd, 2nd or 1st gear. When you release the pedal, the transmission will return to the original gear position.

To use the “SPORT” mode, move the lever from this position into the manual gate. To use the manual mode, move the lever from this position into the manual gate then move it toward the “+” and “-” ends.

▼ While climbing a grade

When driving up a hill, undesired upshift to 4th gear is prevented from taking place when the accelerator is released. This minimizes the chance of subsequent downshifting to a lower gear when accelerating again. This prevents repeated upshifting and downshifting resulting in a smoother operation of the vehicle.

NOTE

The transmission may downshift to 2nd or 1st gear, depending on the way the accelerator pedal is pressed to accelerate the vehicle again.

▼ While going down a hill

When you are descending a hill or any other slope while braking with the “SPORT” mode selected, the transmission may downshift to 3rd or 2nd gear depending on how hard you depress the brake pedal, causing engine braking to work. Reacceleration for a short time will cause the transmission to upshift normally.

NOTE

- A 4th-to-3rd automatic downshift will not occur at speeds above 50 mph (80 km/h) and a 3rd-to-2nd automatic downshift will not occur at speeds above 24 mph (38 km/h).
- Automatic downshifts to 3rd or 2nd may occur even when driving on a level road depending on conditions, such as how hard you depress the brake pedal.

■ Selector lever reverse inhibiting function

This function prevents accidental movement of the selector lever to the “R” position while the vehicle is moving.

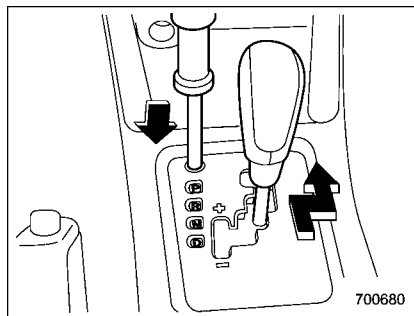
The function becomes operational when the vehicle reaches a speed of approximately 6 mph (10 km/h). Once operational, it prevents the selector lever from being moved from the “N” position to the

“R” position. When the vehicle speed drops below 5 mph (8 km/h), the function is canceled. The selector lever can then be moved to the “R” and “P” positions.

When the ignition switch has been turned to the “LOCK” position, movement of the selector lever from the “N” position to the “R” position is possible for a limited time period by depressing the brake pedal and then becomes impossible. Also, the selector lever cannot be moved to the “R” position after it has been placed in the “P” position and then placed again in the “N” position.

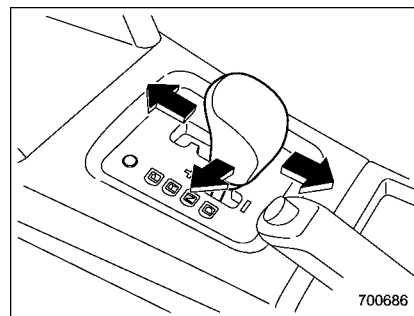
When the movement of the selector lever from the “N” position to the “R” position has become impossible, turn the ignition switch back to the “ON” position then move the selector lever to the “P” position. Pressing the selector lever release button also makes it possible to move the selector lever to the “P” position at this time.

▼ Selector lever release button

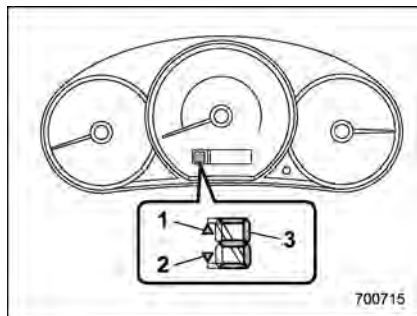


If you inadvertently have turned the ignition switch to the “LOCK” position with the selector lever in the “N” position, proceed as follows. By referring to “Shift lock release” 7-22, remove the shift lock release cover. Then, with a screwdriver inserted into the hole, move the selector lever to the “P” position. If the selector lever reverse inhibiting function fails, have the vehicle inspected by the nearest SUBARU dealer.

■ Selection of manual mode



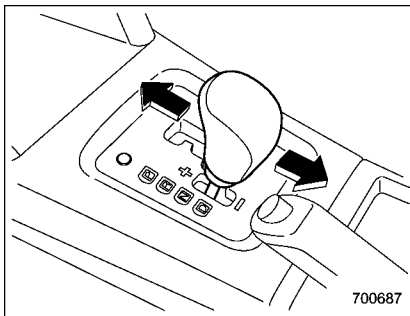
With the vehicle either moving or stationary, move the selector lever from the “D” position to the manual gate then move it to the “+” end or “-” end of the manual gate to select manual mode.



- 1) Upshift indicator
- 2) Downshift indicator
- 3) Gear position indicator

When manual mode is selected, the gear position indicator and upshift indicator and/or downshift indicator on the combination meter illuminate. The gear position indicator shows the currently selected gear in the 1st-to-4th-gear range. The upshift and downshift indicators show when a gear shift is possible. When the upshift indicator “▲” is illuminated, upshifting is possible. When the downshift indicator “▼” is illuminated, downshifting is possible. When both indicators are illuminated, upshifting and downshifting are both possible. When the vehicle stops (for example, at traffic signals), the downshift indicator turns off.

Gear shifts can be performed by using the selector lever.



Using the selector lever

Shift to the next-higher gear by briefly pushing the selector lever toward the “+” end of the manual gate.

Shift to the next-lower gear by briefly pulling the selector lever toward the “-” end of the manual gate.

NOTE

Please read the following points carefully and bear them in mind when using the manual mode.

- If you attempt to shift down when the engine speed is too high, i.e., when a downshift would push the tachometer needle beyond the red zone, beeps will be emitted to warn you that the down-

shift is not possible.

- If you attempt to shift up when the vehicle speed is too low, the transmission will not respond.
- You can perform a skip-shift (for example, from 4th to 2nd) by operating the selector lever twice in rapid succession.
- The transmission automatically selects 1st gear when the vehicle stops moving.
- If the temperature of the automatic transmission fluid becomes too high, the “AT OIL TEMP” warning light will illuminate and upshifts to 4th gear will not be possible. Immediately stop the vehicle in a safe place and let the engine idle until the warning light turns off.

Maximum speeds



WARNING

When down shifting, ensure that the vehicle is not travelling at a speed exceeding the Maximum Allowable Speed for the gear which is about to be selected. Failure to observe this precaution can lead to engine over-revving and this in turn can result in engine damage.

In addition, sudden application of engine braking caused by down shifting when the vehicle is traveling on a slippery surface can lead to wheel locking; as a consequence, control of the vehicle may be lost and the risk of an accident increased.

The following tables show the maximum speeds that are possible with each different gear.

When down shifting, it is important to confirm that the current vehicle speed is not in excess of the Maximum Allowable Speed of the gear which is about to be selected.

Non-turbo models

mph (km/h)	
Gear position	Manual mode
1	30 (48)
2	63 (101)
3	99 (160)

Turbo models

mph (km/h)	
Gear position	Manual mode
1	36 (58)
2	66 (106)
3	107 (172)

NOTE

In order to prevent over-revving during deceleration of the vehicle, the transmission will remain in the current gear if the speed of the vehicle is in excess of the Maximum Allowable Speed for the gear to which the selector lever has been moved.

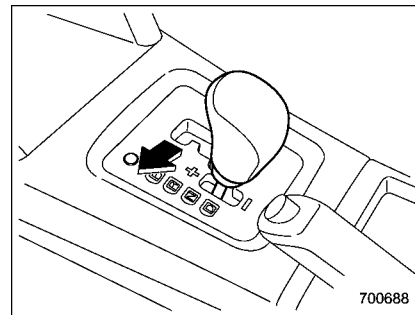
■ Driving tips

- On a road surface where there is a risk of wheelspin (for example, a snow- or gravel-covered road), you can pull away from a standstill (safely and easily) by first selecting the 2nd gear of the manual mode.
- Always apply the foot or parking brake when the vehicle is stopped in the “D” or “R” position.
- Always set the parking brake when parking your vehicle. Do not hold the vehicle with only the transmission.
- Do not keep the vehicle in a stationary

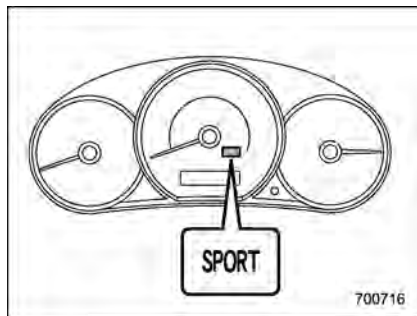
position on an uphill grade by using the “D” position. Use the brake instead.

- The engine may, on rare occasions, knock when the vehicle rapidly accelerates or rapidly pulls away from a standstill. This phenomenon does not indicate a problem.

■ SPORT mode



SPORT mode is used when power is needed for rapid acceleration or for uphill driving. To select this mode, move the selector lever from the “D” position to the manual gate.



When selected, the SPORT mode indicator light on the combination meter will turn on.

To deselect SPORT mode, move the selector lever to the "D" position or select manual mode.

To subsequently reselect SPORT mode, move the selector lever to the "D" position and from there to the manual gate.

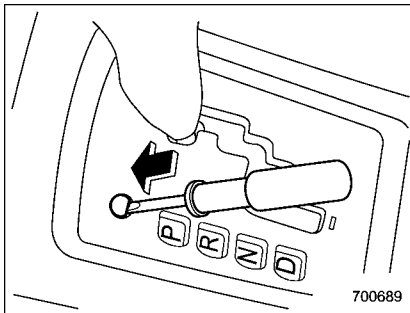
In this mode, the transmission shifts up at higher vehicle speeds and shifts down more responsively than in normal mode.

■ Shift lock release

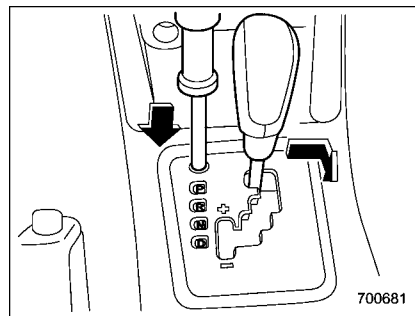
If the selector lever does not move from the "P" position with the brake pedal depressed and the ignition switch in the "ON" position, perform the following steps.

To override the shift lock:

1. Set the parking brake and stop the engine.
2. Take out the screwdriver from the tool bag.



3. Remove the cover by prying on the edge with a flat-head screwdriver.



4. Insert the screwdriver into the hole.
5. Push down on the screwdriver and move the selector lever from the "P" to the "N" position.
6. Remove the screwdriver from the hole. Depress the brake pedal and start the engine.

Take your vehicle to the nearest SUBARU dealer immediately to have the system repaired.

Power steering

The power steering system operates only when the engine is running.

If you lose power steering assist because the engine stops or the system fails to function, you can steer but it will take much more effort.



CAUTION

Do not hold the steering wheel at the fully locked position left or right for more than 5 seconds. This may damage the power steering pump.

NOTE

Right after the engine has been started and before it has warmed up, you may hear a noise coming from areas adjacent to the power steering pump which is located at the right-front area of the engine compartment. This noise is normal. It does not indicate power steering system trouble.

Braking

■ Braking tips



WARNING

Never rest your foot on the brake pedal while driving. This can cause dangerous overheating of the brakes and needless wear on the brake pads and linings.

▼ When the brakes get wet

When driving in rain or after washing the vehicle, the brakes may get wet. As a result, brake stopping distance will be longer. To dry the brakes, drive the vehicle at a safe speed while lightly depressing the brake pedal to heat up the brakes.

▼ Use of engine braking

Remember to make use of engine braking in addition to foot braking. When descending a grade, if only the foot brake is used, the brakes may start working improperly because of brake fluid overheating, caused by overheated brake pads. To help prevent this, shift into a lower gear to get stronger engine braking.

▼ Braking when a tire is punctured

Do not depress the brake pedal suddenly when a tire is punctured. This could cause

a loss of control of the vehicle. Keep driving straight ahead while gradually reducing speed. Then slowly pull off the road to a safe place.

■ Brake system

▼ Two separate circuits

Your vehicle has two separate circuit brake systems. Each circuit works diagonally across the vehicle. If one circuit of the brake system should fail, the other half of the system still works. If one circuit fails, the brake pedal will go down much closer to the floor than usual and you will need to press it down much harder. And a much longer distance will be needed to stop the vehicle.

▼ Brake booster

The brake booster uses engine manifold vacuum to assist braking force. Do not turn off the engine while driving because that will turn off the brake booster, resulting in poor braking power.

The brakes will continue to work even when the brake booster completely stops functioning. If this happens, however, you will have to push the pedal much harder than normal and the braking distance will increase.

▼ Brake assist system

⚠ WARNING

Do not be overconfident about the brake assist. It is not a system that brings more braking ability to the vehicle beyond its braking capability. Always use the utmost care when driving regarding vehicle speed and safe distance.

⚠ CAUTION

When you need to brake suddenly, continue depressing the brake pedal strongly to bring the effect of the brake assist.

Brake assist is a driver assistance system. It assists the brake power when the driver cannot depress the brake pedal strongly and the brake power is insufficient.

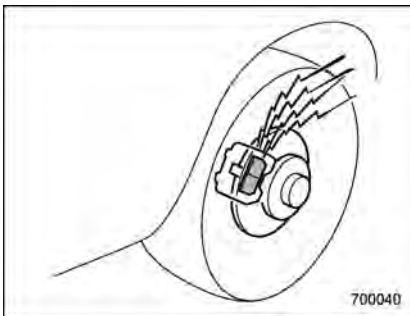
Brake assist generates the brake power according to the speed at which the driver depresses the brake pedal.

NOTE

When you depress the brake pedal strongly or suddenly, the following phenomena occur. However, even though these occur, they do not indi-

cate any malfunctions, and the brake assist system is operating properly.

- You might feel that the brake pedal is applied by lighter force and generates a greater braking force.
- You might hear clicking (knocking) sounds around brake pedal.

■ Disc brake pad wear warning indicators

The disc brake pad wear warning indicators on the disc brakes give a warning noise when the brake pads are worn.

If a squeaking or scraping noise is heard from the disc brakes while braking, immediately have your vehicle checked by your SUBARU dealer.

ABS (Anti-lock Brake System)

The ABS system prevents the lock-up of wheels which may occur during sudden braking or braking on slippery road surfaces. This helps prevent the loss of steering control and directional stability caused by wheel lock-up.

When the ABS system is operating, you may hear a chattering noise or feel a slight vibration in the brake pedal. This is normal when the ABS operates.

The ABS system will not operate when the vehicle speed is below approximately 6 mph (10 km/h).

⚠ WARNING

Always use the utmost care in driving – overconfidence because you are driving with an ABS equipped vehicle could easily lead to a serious accident.

⚠ CAUTION

- The ABS system does not always decrease stopping distance. You should always maintain a safe following distance from other

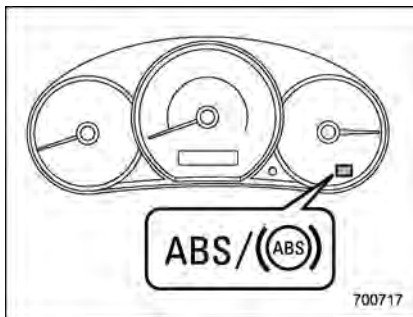
vehicles.

- When driving on badly surfaced roads, gravel roads, icy roads, or over deep newly fallen snow, stopping distances may be longer for a vehicle with the ABS system than one without. When driving under these conditions, therefore, reduce your speed and leave ample distance from other vehicles.
- When you feel the ABS system operating, you should maintain constant brake pedal pressure. Do not pump the brake pedal since doing so may defeat the operation of the ABS system.

■ ABS system self-check

Just after the vehicle is started, you may feel on the brake pedal a vibration similar to when the ABS operates, and you may also hear the sound of the ABS working from the engine compartment. This is caused by an automatic functional test of the ABS system being carried out and does not indicate any abnormal condition.

■ ABS warning light



The ABS warning light illuminates when the ignition switch is turned to the "ON" position and turns off after approximately 2 seconds.

This is an indication that the ABS system is working properly.

When driving with an insufficient battery voltage such as when the engine is jump started, the ABS warning light may illuminate. This is due to the low battery voltage and does not indicate a malfunction. When the battery becomes fully charged, the light will turn off.



CAUTION

If the warning light behaves as described below, the ABS system may not be working properly.

When the warning light is on, the ABS function shuts down; however, the conventional brake system continues to operate normally.

- The warning light does not illuminate when the ignition switch is turned to the "ON" position.
- The warning light illuminates when the ignition switch is turned to the "ON" position, but it does not turn off even when the vehicle speed exceeds approximately 8 mph (12 km/h).
- The warning light illuminates during driving.

If these occur, have the ABS system repaired at the first available opportunity by your SUBARU dealer.

NOTE

If the warning light behavior is as described below, the ABS system may be considered normal.

- The warning light illuminates right after the engine is started but turns off immediately, remaining off.
- The warning light remains on after the engine has been started, but it turns off when the vehicle speed reaches approximately 8 mph (12 km/h).
- The warning light illuminates during driving, but it turns off immediately and remains off.

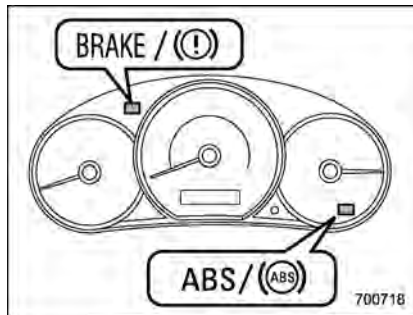
Electronic Brake Force Distribution (EBD) system

The EBD system maximizes the effectiveness of the brakes by allowing the rear brakes to supply a greater proportion of the braking force. It functions by adjusting the distribution of braking force to the rear wheels in accordance with the vehicle's loading condition and speed.

The EBD system is an integral part of the ABS system and uses some of the ABS system's components to perform its function of optimizing the distribution of braking force. If any of the ABS components used by the EBD system malfunction, the EBD system also stops working.

When the EBD system is operating, you may hear a chattering noise or feel a slight vibration in the brake pedal. This is normal and does not indicate a malfunction.

Steps to take if EBD system malfunctions



If a malfunction occurs in the EBD system, the system stops working and the brake system warning light and ABS warning light illuminate simultaneously.

The EBD system may be malfunctioning if the brake system warning light and ABS warning light illuminate simultaneously during driving.

Even if the EBD system malfunctions, the conventional braking system will still function. However, the rear wheels will be more prone to locking when the brakes are applied harder than usual and the vehicle's motion may therefore become somewhat harder to control.

If the brake system warning light and ABS

warning light illuminate simultaneously, take the following steps.

1. Stop the vehicle in the nearest safe, flat location.
2. Shut down the engine, apply the parking brake, and then restart it.
3. Release the parking brake. If both warning lights turn off, the EBD system may be malfunctioning. Drive carefully to the nearest SUBARU dealer and have the system inspected.
4. If both warning lights illuminate again and stay illuminated after the engine has been restarted, shut down the engine again, apply the parking brake, and check the brake fluid level. Refer to "Brake fluid" φ 11-25.
5. If the brake fluid level is not below the "MIN" mark, the EBD system may be malfunctioning. Drive carefully to the nearest SUBARU dealer and have the system inspected.
6. If the brake fluid level is below the "MIN" mark, DO NOT drive the vehicle. Instead, have the vehicle towed to the nearest SUBARU dealer for repair.

 **WARNING**

- Driving with the brake system warning light illuminated is dan-

gerous. This indicates your brake system may not be working properly. If the light remains on, have the brakes inspected by a SUBARU dealer immediately.

- If at all in doubt about whether the brakes are operating properly, do not drive the vehicle. Have your vehicle towed to the nearest SUBARU dealer for repair.

Vehicle Dynamics Control system

 **WARNING**

Always use the utmost care in driving – overconfidence because you are driving with a Vehicle Dynamics Control system equipped vehicle could easily lead to a serious accident.

 **CAUTION**

- Even if your vehicle is equipped with Vehicle Dynamics Control system, winter tires should be used when driving on snow-covered or icy roads; in addition, vehicle speed should be reduced considerably. Simply having a Vehicle Dynamics Control system does not guarantee that the vehicle will be able to avoid accidents in any situation.
- Activation of the Vehicle Dynamics Control system is an indication that the road being travelled on has a slippery surface; since having Vehicle Dynamics Control is no guarantee

that full vehicle control will be maintained at all times and under all conditions, its activation should be seen as a sign that the speed of the vehicle should be reduced considerably.

- Whenever suspension components, steering components, or an axle are removed from a vehicle equipped with Vehicle Dynamics Control system, have an inspection of that system performed by an authorized SUBARU dealer.
- The following precautions should be observed in order to ensure that the Vehicle Dynamics Control system is operating properly:
 - All four wheels should be fitted with tires of the same size, type, and brand. Furthermore, the amount of wear should be the same for all four tires.
 - Keep the tire pressure at the proper level as shown on the vehicle placard attached to the driver's side door pillar.
 - Use only the specified temporary spare tire to replace a flat tire. With a temporary

spare tire, the effectiveness of the Vehicle Dynamics Control system is reduced and this should be taken into account when driving the vehicle in such a condition.

In the event of wheelspin and/or skidding on a slippery road surface and/or during cornering and/or an evasive maneuver, the Vehicle Dynamics Control system adjusts the engine's output and the wheels' respective braking forces to help maintain traction and directional control.

● Traction Control Function

The traction control function is designed to prevent spinning of the driving wheels on slippery road surfaces, thereby helping to maintain traction and directional control. Activation of this function is shown by steady illumination of the Vehicle Dynamics Control operation indicator light.

● Skid Suppression Function

The skid suppression function is designed to help maintain directional stability by suppressing the wheels' tendency to slide sideways during steering operations. Activation of this function is shown by flashing of the Vehicle Dynamics Control operation indicator light.

NOTE

● Slight twitching of the brake pedal may be felt when the Vehicle Dynamics Control system operates; a small degree of vehicle or steering wheel shaking may also be noticed in this situation. These are normal characteristics of Vehicle Dynamics Control operation and are no cause for alarm.

● When driving off immediately after starting the engine, a short-lived operation noise may be noticed coming from the engine compartment. This noise is generated as a result of a check being performed on the Vehicle Dynamics Control system and is normal.

● Depending on the timing of activation of the brakes, the brake pedal may seem to jolt when you drive off after starting the engine. This is a consequence of the Vehicle Dynamics Control operational check and is normal.

● In the circumstances listed in the following, the vehicle may be more unstable than it feels to the driver. The Vehicle Dynamics Control System may therefore operate. Such operation does not indicate a system fault.

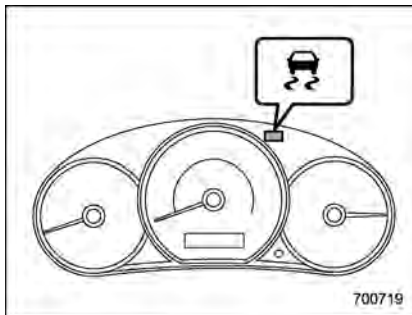
- on gravel-covered or rutted roads
- on unfinished roads
- when the vehicle is fitted with

snow tires or winter tires

- Activation of the Vehicle Dynamics Control system will cause operation of the steering wheel to feel slightly different compared to that for normal conditions.
- Even if the vehicle is equipped with a Vehicle Dynamics Control system, it is important that winter tires be used when driving on snow-covered or icy roads. (All four wheels should be fitted with tires of the same size and brand.)
- It is always important to reduce speed when approaching a corner, even if the vehicle is equipped with Vehicle Dynamics Control.
- All four wheels should be fitted with tires of the same size, type, and brand; furthermore, the amount of wear should be the same for all four tires. If these precautions are not observed and non-matching tires are used, it is quite possible that the Vehicle Dynamics Control system will be unable to operate correctly as intended.
- Always turn off the engine before replacing a tire as failure to do so may render the Vehicle Dynamics Control system unable to operate correctly.

■ Vehicle Dynamics Control system monitor

▼ Vehicle Dynamics Control operation indicator light



The indicator light illuminates when the ignition switch is turned to the ON position; it turns off approximately 2 seconds later. This indicator light flashes during activation of the skid suppression function and is illuminated steadily during activation of the traction control function.

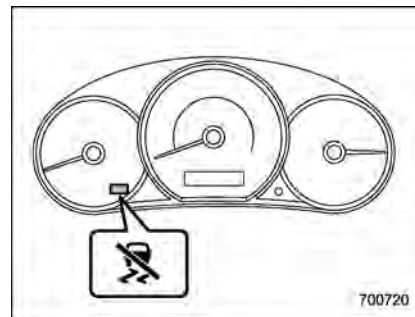
The following two situations could indicate a malfunction of the Vehicle Dynamics Control system; if either should occur, have an authorized SUBARU dealer carry out an inspection of that system at the first available opportunity.

- The indicator light does not illuminate

when the ignition switch is turned to the ON position.

- The indicator light does not turn off approximately 2 seconds after the ignition switch has been turned to the ON position.

▼ Vehicle Dynamics Control warning light/Vehicle Dynamics Control OFF indicator light



This single light has the function of indicating malfunctions in the Vehicle Dynamics Control system and the function of indicating that the Vehicle Dynamics Control system is not operating. It illuminates in the event of a malfunction in the system and is illuminated whenever the system is not operating.

▽ Vehicle Dynamics Control warning light

The warning light illuminates when the ignition switch is turned to the "ON" position and turns off several seconds after engine startup. This lighting pattern indicates that the Vehicle Dynamics Control system is operating normally.

The following situations could indicate a malfunction of the Vehicle Dynamics Control system; if any should occur, have an authorized SUBARU dealer carry out an inspection of the system at the first available opportunity.

- The warning light does not turn on when the ignition switch is turned to the ON position.
- The warning light turns on while the vehicle is being driven.
- When a malfunction has occurred in the Vehicle Dynamics Control electrical system, only the warning light will turn on. In such an event, the ABS will still be operating normally.
- The warning light will also turn on when a problem occurs with the ABS or Vehicle Dynamics Control electronic control systems.

Because the Vehicle Dynamics Control system controls each brake through the

ABS, whenever the ABS stops operating due to a malfunction in that electrical system, the Vehicle Dynamics Control will also become unable to control all four brakes. Thus Vehicle Dynamics Control system operation halts and the warning light turns on. Although both the Vehicle Dynamics Control system and the ABS will be inoperable in this situation, it will still be possible to stop the vehicle using normal braking. The Vehicle Dynamics Control system and the ABS do not adversely affect operation of the vehicle in any way when they are inoperable; however should such a situation occur, drive with care and have an authorized SUBARU dealer carry out an inspection of those systems at the first available opportunity.

NOTE

When the warning light turns on and off in the following way, it indicates that the Vehicle Dynamics Control system is operating normally.

- **Although turning on after the engine has been started, the warning light quickly turns off and stays off.**
- **The warning light turns on when the vehicle is being driven; it then turns off and stays off.**

▽ Vehicle Dynamics Control OFF indicator light

This light illuminates to indicate that the Vehicle Dynamics Control system is in non-operation mode. This does not constitute failure of the Vehicle Dynamics Control system.

NOTE

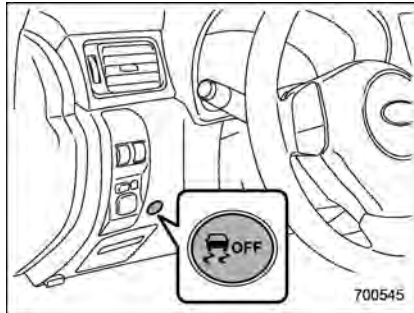
- **The indicator light may remain on for a while after the engine has been started, especially in cold weather. This occurs because the engine has not yet warmed up and is completely normal. The light will turn off when the engine has reached a suitable operating temperature.**
- **When an engine problem occurs and the CHECK ENGINE warning light/malfunction indicator lamp turns on, the indicator light will also illuminate.**

The following two situations could indicate malfunction of the Vehicle Dynamics Control system; if either should occur, have an authorized SUBARU dealer carry out an inspection of that system at the first available opportunity.

- The indicator light does not turn on when the ignition switch is turned to the ON position.
- The indicator light fails to turn off after the engine is started, even when several


minutes have passed to allow the engine to heat up sufficiently.


■ Vehicle Dynamics Control OFF switch



Pressing the switch to deactivate the Vehicle Dynamics Control system can facilitate the following operations:

- a standing start on a steeply sloping road with a snowy, gravel-covered, or otherwise slippery surface
- extrication of the vehicle when its wheels are stuck in mud or deep snow

When the switch is pressed during engine operation, the “” indicator light on the combination meter illuminates. The Vehicle Dynamics Control system will be deactivated and the vehicle will behave

like a model not equipped with the Vehicle Dynamics Control system. When the switch is pressed again to reactivate the Vehicle Dynamics Control system, the “” indicator light turns off.

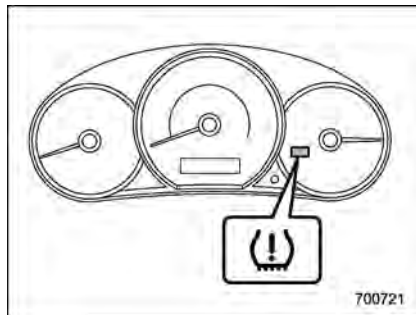
With the Vehicle Dynamics Control system deactivated, traction and stability enhancement offered by Vehicle Dynamics Control system is unavailable. Therefore you should not deactivate the Vehicle Dynamics Control system except under above-mentioned situations.

NOTE

- When the switch has been pressed to deactivate the Vehicle Dynamics Control system, the Vehicle Dynamics Control system automatically reactivates itself the next time the ignition switch is turned to the “LOCK” position and the engine is restarted.
- If the switch is held down for 10 seconds or longer, the indicator light turns off, the Vehicle Dynamics Control system is activated, and the system ignores any further pressing of the switch. To make the switch usable again, turn the ignition switch to the “LOCK” position and restart the engine.
- When the switch is pressed to deactivate the Vehicle Dynamics Con-

rol system, the vehicle’s running performance is comparable with that of a vehicle that does not have a Vehicle Dynamics Control system. Do not deactivate the Vehicle Dynamics Control system except when absolutely necessary.

Tire pressure monitoring system (TPMS) (U.S.-spec. models)




The tire pressure monitoring system provides the driver with a warning message by sending a signal from a sensor that is installed in each wheel when tire pressure is severely low.

The tire pressure monitoring system will activate only when the vehicle is driven at speeds above 20 mph (32 km/h). Also, this system may not react immediately to a sudden drop in tire pressure (for example, a blow-out caused by running over a sharp object).

WARNING

If the low tire pressure warning light illuminates while driving, never brake suddenly and keep driving straight ahead while gradually reducing speed. Then slowly pull off the road to a safe place. Otherwise an accident involving serious vehicle damage and serious personal injury could occur.

Check the pressure for all four tires and adjust the pressure to the COLD tire pressure shown on the tire placard on the door pillar on the driver's side.

Even when the vehicle is driven a very short distance, the tires get warm and their pressures increase accordingly. Be sure to let the tires cool thoroughly before adjusting their pressures to the standard values shown on the tire placard. Refer to "Tires and wheels"  11-31. The tire pressure monitoring system does not function when the vehicle is stationary. After adjusting the tire pressures, increase the vehicle speed to at least 20 mph (32 km/h) to start the TPMS re-checking of the tire inflation pressures. If the tire pressures are now above the severe

low pressure threshold, the low tire pressure warning light should turn off a few minutes later.

If this light still illuminates while driving after adjusting the tire pressure, a tire may have significant damage and a fast leak that causes the tire to lose air rapidly. If you have a flat tire, replace it with a spare tire as soon as possible.

When a spare tire is mounted or a wheel rim is replaced without the original pressure sensor/transmitter being transferred, the low tire pressure warning light will illuminate steadily after blinking for approximately 1 minute. This indicates the TPMS is unable to monitor all four road wheels. Contact your SUBARU dealer as soon as possible for tire and sensor replacement and/or system resetting.

Do not inject any tire liquid or aerosol tire sealant into the tires, as this may cause a malfunction of the tire pressure sensors. If the light illuminates steadily after blinking for approximately 1 minute, promptly contact a SUBARU dealer to have the system inspected.

CAUTION

Do not place metal film or any metal parts in the cargo room/trunk. This may cause poor reception of the signals from the tire pressure sensors, and the tire pressure monitoring system will not function properly.

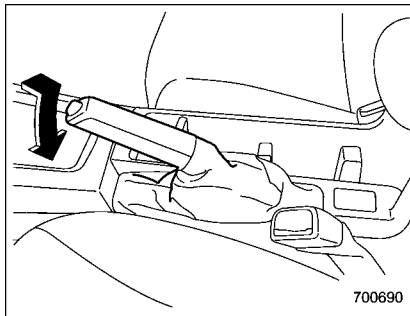
NOTE

This device complies with Part 15 of the FCC Rules and with RSS-210 of Industry Canada. Operation is subject to the following two conditions: (1) This device may not cause harmful interference, and (2) this device must accept any interference received, including interference that may cause undesired operation.

Changes or modifications not expressly approved by the party responsible for compliance could void the user's authority to operate the equipment.

Parking your vehicle**■ Parking brake**

To set the parking brake, depress the brake pedal firmly and hold it down until the parking brake lever is fully pulled up.



To release the parking brake, pull the lever up slightly, press the release button, then lower the lever while keeping the button pressed.

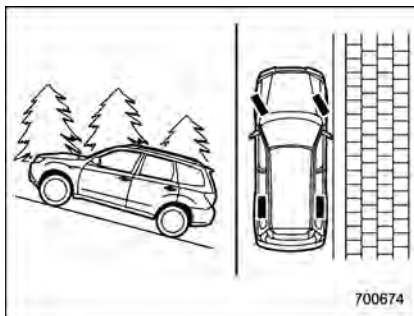
When the parking brake is set while the engine is running, the parking brake warning light illuminates. After starting the vehicle, be sure that the warning light has gone out before the vehicle is driven. Refer to "Brake system warning light" 3-17.

CAUTION

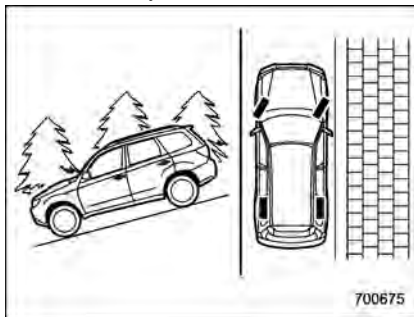
Never drive while the parking brake is set because this will cause unnecessary wear on the brake linings. Before starting to drive, always make sure that the parking brake has been fully released.

■ Parking tips

When parking your vehicle, always set the parking brake firmly and put the shift lever in the "1" (1st) for an upgrade or "R" (Reverse) for a downgrade for manual transmission vehicles, or in the "P" (Park) position for automatic transmission vehicles. Always set the parking brake firmly when parking your vehicle. Never rely on the transmission alone to hold the vehicle.



When parking on a hill, always turn the steering wheel. When the vehicle is headed up the hill, the front wheels should be turned away from the curb.



When facing downhill, the front wheels should be turned into the curb.

WARNING

- Never leave unattended children or pets in the vehicle. They could accidentally injure themselves or others through inadvertent operation of the vehicle. Also, on hot or sunny days, the temperature in a closed vehicle could quickly become high enough to cause severe or possibly fatal injuries to people.
- Do not park the vehicle over flammable materials such as dry grass, waste paper or rags, as they may burn easily if they come near hot engine or exhaust system parts.
- Be sure to stop the engine if you take a nap in the vehicle. If engine exhaust gas enters the passenger compartment, occupants in the vehicle could die from carbon monoxide (CO) contained in the exhaust gas.

CAUTION

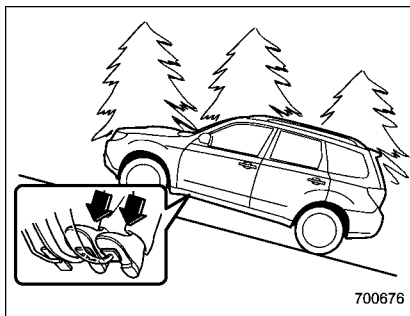
If your vehicle has a front under spoiler and rear underspoiler (both optional), pay attention to blocks and other obstructions on the ground when parking. The underspoilers could be damaged by contact with them.

Hill start assist system (MT vehicles)

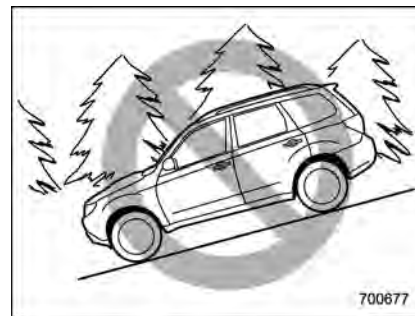
CAUTION

The Hill start assist system is a device only for helping the driver to **START** the vehicle on an uphill grade. To prevent accidents when the vehicle is parked on a slope, be sure to firmly set the parking brake. When setting the parking brake, make sure that the vehicle remains stationary when the clutch pedal is released.

The Hill start assist system is a device to make starting on an uphill grade easier.



On an uphill grade, when the clutch pedal is depressed while the brake pedal is also depressed, braking power is maintained temporarily by the Hill start assist system when the brake pedal is released. The driver is therefore able to start the vehicle the same way as on a level grade, just using the clutch and accelerator pedal.



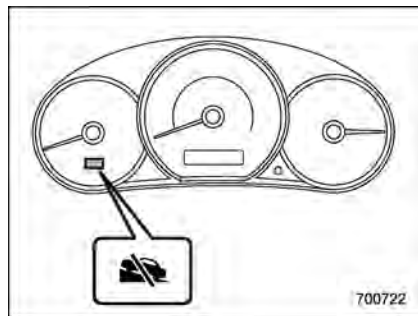
The Hill start assist system does not operate when the vehicle is facing downhill. And the Hill start assist system may not operate on slight grades.

When starting in reverse and using the Hill start assist system, a braking effect may be felt even after the brake pedal has been released. However, this braking effect should disappear once the clutch pedal is released.

A slight jolt may be felt when the vehicle begins to move forward after being reversed.

If the braking power of the Hill start assist system is insufficient after the brake pedal is released, apply more braking power by pressing the brake pedal again.

■ Hill start assist warning light



When the ignition switch is turned to the "ON" position, the Hill start assist warning light illuminates and turns off after approximately 2 seconds. While the engine is rotating, if any malfunction is detected in the Hill start assist system control, the warning light will illuminate. If the warning light illuminates, have the vehicle inspected by your SUBARU dealer.

Cruise control

Cruise control enables you to maintain a constant vehicle speed without holding your foot on the accelerator pedal and it is operative when the vehicle speed is 25 mph (40 km/h) or more. Make sure the main switch is turned "OFF" when the cruise control is not in use to avoid unintentionally setting the cruise control.

NOTE

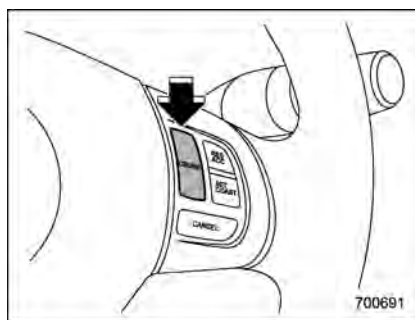
If you press the main switch button while turning the ignition switch "ON", the cruise control function is deactivated and the "CRUISE" indicator light flashes. To reactivate the cruise control function, turn the ignition switch back to the "Acc" or "LOCK" position, and then turn it again to the "ON" position.

▲ WARNING

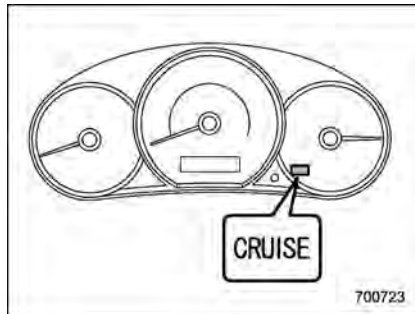
Do not use the cruise control under any of the following conditions. This may cause loss of vehicle control:

- driving up or down a steep grade
- driving on slippery or winding roads
- driving in heavy traffic

■ To set cruise control

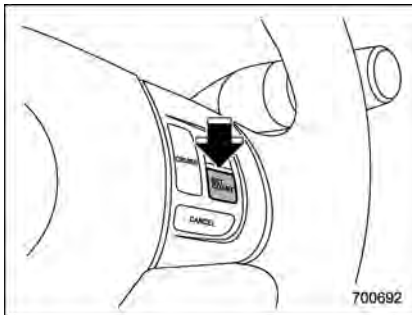


1. Push the "CRUISE" main switch button.

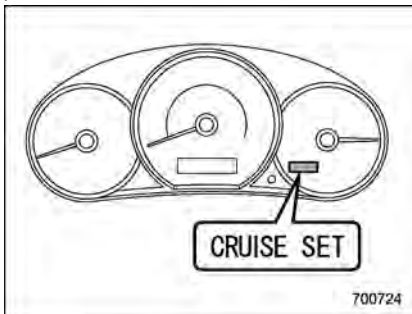


The "CRUISE" indicator light on the combination meter will illuminate.

2. Depress the accelerator pedal until the vehicle reaches the desired speed.



3. Push the "SET/COAST" button and release it. Then release the accelerator pedal.



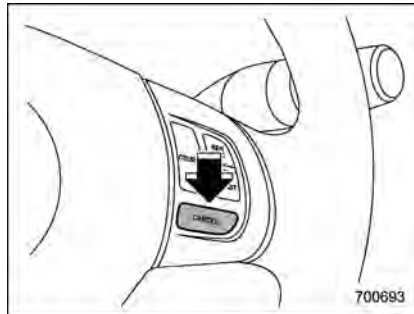
At this time, the "SET" indicator light on the

combination meter will illuminate. The vehicle will maintain the desired speed.

Vehicle speed can be temporarily increased while driving with the cruise control activated. Simply depress the accelerator pedal to accelerate the vehicle. When the accelerator pedal is released, the vehicle will return to and maintain the previous cruising speed.

■ To temporarily cancel the cruise control

The cruise control can be temporarily canceled in the following ways:

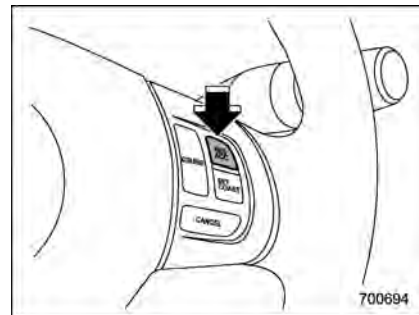


- Push the "CANCEL" button.
- Depress the brake pedal.
- Depress the clutch pedal (MT models

only).

- Shift the selector lever into the "N" position (AT models only).
- Shift the shift lever into neutral position (MT models only).

The "SET" indicator light on the combination meter turns off when the cruise control is canceled.



To resume the cruise control after it has been temporarily canceled and with vehicle speed of approximately 20 mph (32 km/h) or more, push the "RES/ACC" button to return to the original cruising speed automatically.

The "SET" indicator light on the combination meter will automatically illuminate at this time.

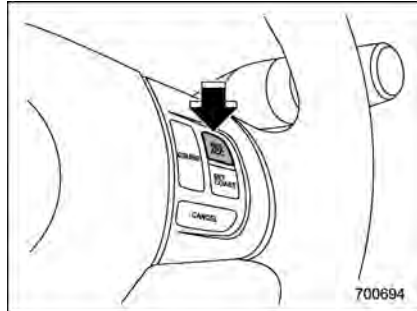
■ To turn off the cruise control

There are two ways to turn off the cruise control:

- Push the “CRUISE” main switch button again.
- Turn the ignition switch to the “Acc” or “LOCK” position (but only when the vehicle is completely stopped).

■ To change the cruising speed

▼ To increase the speed (by button)



Push the “RES/ACC” button and hold it until the vehicle reaches the desired speed. Then, release the button. The vehicle speed at that moment will be memorized and treated as the new set speed.

When the difference between the actual vehicle speed and the set speed is less than 4 mph (6.8 km/h), the set speed can be increased 1 mph (1.6 km/h) each time by pressing the “RES/ACC” button quickly.

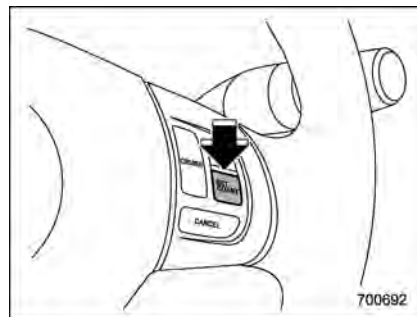
▼ To increase the speed (by accelerator pedal)

1. Depress the accelerator pedal to accelerate the vehicle to the desired speed.
2. Push the “SET/COAST” button once. Now the desired speed is set and the vehicle will keep running at that speed without depressing the accelerator pedal.

NOTE

If the difference between the actual vehicle speed when the button is pushed and the speed last time you set is less than 4 mph (6.8 km/h), the vehicle speed will be lowered by 1 mph (1.6 km/h). This occurs because the cruise control system unit regards this operation as that intended to decrease the vehicle speed.

▼ To decrease the speed (by button)



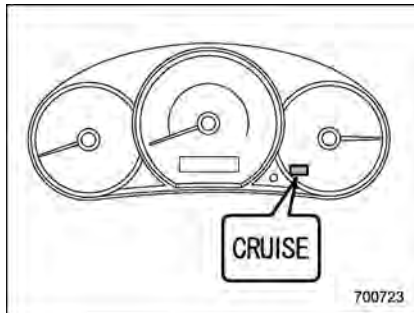
Push the “SET/COAST” button and hold it until the vehicle reaches the desired speed. Then, release the button. The vehicle speed at that moment will be memorized and treated as the new set speed.

When the difference between the actual vehicle speed and the set speed is less than 4 mph (6.8 km/h), the set speed can be lowered 1 mph (1.6 km/h) each time by pressing the “SET/COAST” button quickly.

▼ To decrease the speed (by brake pedal)

1. Depress the brake pedal to release cruise control temporarily.
2. When the speed decreases to the desired speed, press the "SET/COAST" button once. Now the desired speed is set and the vehicle will keep running at that speed without depressing the accelerator pedal.

■ Cruise control indicator light



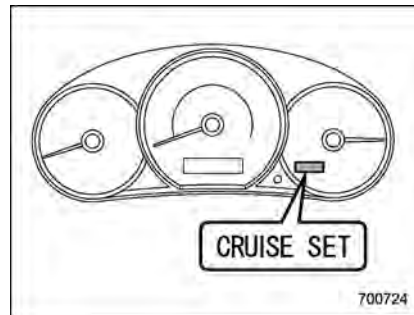
The cruise control indicator light illuminates when the ignition switch is turned to the "ON" position and turns off after approximately 3 seconds.

The light illuminates when the "CRUISE" main switch is pressed.

NOTE

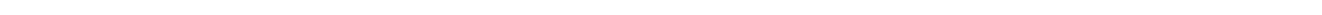
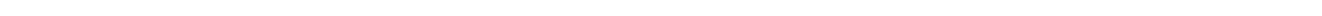
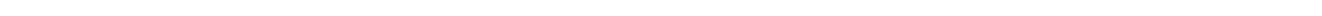
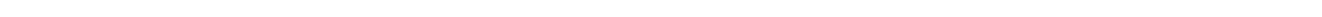
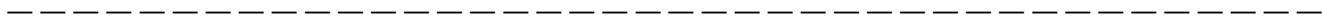
- If you press the "CRUISE" main switch button while turning the ignition switch "ON", the cruise control function is deactivated and the cruise control indicator light flashes. To reactivate the cruise control function, turn the ignition switch back to the "Acc" or "LOCK" position, and then turn it again to the "ON" position.
- If this indicator light and the CHECK ENGINE warning light/malfunction indicator lamp flash simultaneously during driving, have the vehicle checked by your nearest SUBARU dealer.

■ Cruise control set indicator light



The cruise control set indicator light illuminates when the ignition switch is turned to the "ON" position and turns off after approximately 3 seconds.

The light illuminates when vehicle speed has been set.



New vehicle break-in driving – the first		
1,000 miles (1,600 km)	8-2	
Fuel economy hints	8-2	
Engine exhaust gas (carbon monoxide).....	8-2	
Catalytic converter	8-3	
Periodic inspections	8-4	
Driving in foreign countries	8-4	
Driving tips for AWD models.....	8-5	
On-pavement and off-road driving.....	8-6	
Winter driving.....	8-8	
Operation during cold weather.....	8-8	
Driving on snowy and icy roads	8-9	
Corrosion protection	8-10	
Snow tires	8-10	
Tire chains.....	8-11	
Rocking the vehicle.....	8-11	
Loading your vehicle.....	8-11	
Vehicle capacity weight.....	8-12	
GVWR and GAWR (Gross Vehicle Weight Rating and Gross Axle Weight Rating)	8-13	
Roof rail (if equipped)	8-13	
Roof molding and crossbar (if equipped).....	8-14	
Trailer hitch (dealer option).....	8-15	
Connecting a trailer	8-16	
When you do not tow a trailer	8-17	
Trailer towing	8-17	
Warranties and maintenance	8-17	
Maximum load limits	8-18	
Trailer hitches.....	8-21	
Connecting a trailer	8-21	
Trailer towing tips	8-23	

New vehicle break-in driving – the first 1,000 miles (1,600 km)

The performance and long life of your vehicle are dependent on how you handle and care for your vehicle while it is new. Follow these instructions during the first 1,000 miles (1,600 km):

- Do not race the engine. And do not allow engine speed to exceed 4,000 rpm except in an emergency.
- Do not drive at one constant engine or vehicle speed for a long time, either fast or slow.
- Avoid starting suddenly and rapid acceleration, except in an emergency.
- Avoid hard braking, except in an emergency.

The same break-in procedures should be applied to an overhauled engine, newly mounted engine or when brake pads or brake linings are replaced with new ones.

Fuel economy hints

The following suggestions will help to save fuel.

- Select the proper gear position for the speed and road conditions.
- Avoid sudden acceleration or deceleration. Always accelerate gently until you reach the desired speed. Then try to maintain that speed for as long as possible.
- Do not pump the accelerator and avoid racing the engine.
- Avoid unnecessary engine idling.
- Keep the engine properly tuned.
- Keep the tires inflated to the correct pressure shown on the tire placard, which is located under the door latch on the driver's side. Low pressure will increase tire wear and fuel consumption.
- Use the air conditioner only when necessary.
- Keep the front and rear wheels in proper alignment.
- Avoid carrying unnecessary luggage or cargo.

Engine exhaust gas (carbon monoxide)



WARNING

- **Never inhale engine exhaust gas. Engine exhaust gas contains carbon monoxide, a colorless and odorless gas which is dangerous, or even lethal, if inhaled.**
- **Always properly maintain the engine exhaust system to prevent engine exhaust gas from entering the vehicle.**
- **Never run the engine in a closed space, such as a garage, except for the brief time needed to drive the vehicle in or out of it.**
- **Avoid remaining in a parked vehicle for a lengthy time while the engine is running. If that is unavoidable, then use the ventilation fan to force fresh air into the vehicle.**
- **Always keep the front ventilator inlet grille free from snow, leaves or other obstructions to ensure that the ventilation system always works properly.**
- **If at any time you suspect that**

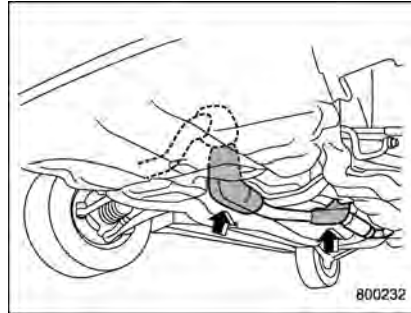
exhaust fumes are entering the vehicle, have the problem checked and corrected as soon as possible. If you must drive under these conditions, drive only with all windows fully open.

- Keep the rear gate closed while driving to prevent exhaust gas from entering the vehicle.

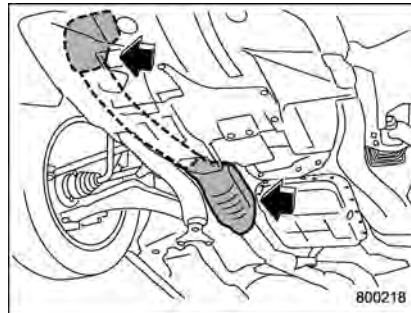
NOTE

Due to the expansion and contraction of the metals used in the manufacture of the exhaust system, you may hear a crackling sound coming from the exhaust system for a short time after the engine has been shut off. This sound is normal.

Catalytic converter



Turbo models



Non-turbo models

The catalytic converter is installed in the exhaust system. It serves as a catalyst to

reduce HC, CO and NOx in exhaust gases, thus providing cleaner exhaust.

To avoid damage to the catalytic converter:

- Use only unleaded fuel. Even a small amount of leaded fuel will damage the catalytic converter.
- Never start the engine by pushing or pulling the vehicle.
- Avoid racing the engine.
- Never turn off the ignition switch while the vehicle is moving.
- Keep your engine tuned-up. If you feel the engine running rough (misfiring, backfiring or incomplete combustion), have your vehicle checked and repaired by an authorized SUBARU dealer.
- Do not apply undercoating or rust prevention treatment to the heat shield of catalytic converter and the exhaust system.
- Do not drive with an extremely low fuel level.



WARNING

- Avoid fire hazards. Do not drive or park the vehicle anywhere near flammable materials (e.g., grass, paper, rags or leaves), because the catalytic converter

operates at very high temperatures.

- **Keep everyone and flammable materials away from the exhaust pipe while the engine is running. The exhaust gas is very hot.**

Periodic inspections

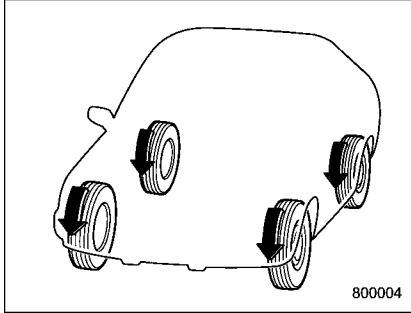
To keep your vehicle in the best condition at all times, always have the recommended maintenance services listed in the maintenance schedule in the “Warranty and Maintenance Booklet” performed at the specified time or mileage intervals.

Driving in foreign countries

When planning to use your vehicle in another country:

- Confirm the availability of the correct fuel. Refer to “Fuel requirements” 7-3.
- Comply with all regulations and requirements of each country.

Driving tips for AWD models



All-Wheel Drive distributes the engine power to all four wheels. AWD models provide better traction when driving on slippery, wet or snow-covered roads and when moving out of mud, dirt and sand. By shifting power between the front and rear wheels, SUBARU AWD can also provide added traction during acceleration and added engine braking force during deceleration.

Therefore, your SUBARU AWD model may handle differently than an ordinary two wheel drive vehicle and it contains some features unique to AWD. For safety purposes as well as to avoid damaging the AWD system, you should keep the following tips in mind:

- An AWD model is better able to climb steeper roads under snowy or slippery conditions than a two wheel drive vehicle. There is little difference in handling, however, during extremely sharp turns or sudden braking. Therefore, when driving down a slope or turning corners, be sure to reduce your speed and maintain an ample distance from other vehicles.
- When replacing a tire, make sure you use only the same size, construction, brand, and load range as the original tires listed on the tire placard. Using other sizes, circumference or construction may result in severe mechanical damage to the drive train of your vehicle and may affect ride, handling, braking, speedometer/odometer calibration, and clearance between the body and tires. It also may be dangerous and lead to loss of vehicle control.
- If you use a temporary spare tire to replace a flat tire, be sure to use the original temporary spare tire stored in the vehicle. Using other sizes may result in severe mechanical damage to the drive train of your vehicle.
- Always check the cold tire pressure before starting to drive. The recommended tire pressure is provided on the tire placard, which is located under the door latch on the driver's side.

- There are some precautions that you must observe when towing your vehicle. For detail information, refer to "Towing" 9-12.

WARNING

- **Always maintain a safe driving speed according to the road and weather conditions in order to avoid having an accident on a sharp turn, during sudden braking or under other similar conditions.**
- **Always use the utmost care in driving – overconfidence because you are driving an All-Wheel Drive model could easily lead to a serious accident.**

On-pavement and off-road driving



WARNING

- In a rollover crash, an unbelted person is significantly more likely to die than a person wearing a seat belt. You the driver and all your passengers should fasten the seatbelts before starting to drive in order to minimize the chance of serious injury or death.
- Do not make sharp turns and quick maneuvers unless absolutely unavoidable. Such actions are dangerous as you may lose control, possibly resulting in a rollover which could cause death or serious injury.
- Always maintain a safe driving speed according to the road and weather conditions in order to avoid having an accident on a sharp turn, during sudden braking or under other similar conditions.
- Whenever strong crosswinds are present, slow down sufficiently to maintain control of your vehicle. Remember that your vehicle,

with its higher profile and center of gravity, is more likely to be affected by crosswinds than ordinary passenger cars.

- Always use the utmost care in driving – overconfidence because you are driving an All-Wheel Drive model could easily lead to a serious accident.

Your vehicle is classified as a utility vehicle. Utility vehicles feature a higher ground clearance which enables them to be used for wide applications including off-road driving. But please keep in mind that your vehicle is neither a conventional off-road vehicle nor an all-terrain vehicle. A higher center of gravity in relation to the tread width as compared with ordinary passenger cars makes vehicles of this type more likely to roll over. In reality, utility vehicles have a significantly higher rollover rate than other types of vehicles. The high ground clearance of this vehicle is a real advantage, giving you a better view of the road and allowing you to anticipate problems earlier. However, remember that your utility vehicle is not designed for high-speed cornering comparable to ordinary passenger cars and that your vehicle could roll over if you make a sharp turn at high speed. If you do take your

SUBARU off-road, certain common sense precautions such as those in the following list should be taken.

- Make certain that you and all of your passengers are wearing seatbelts.
- Carry some emergency equipment, such as a towing rope or chain, a shovel, wheel blocks, first aid kit and cell phone or citizens band radio.
- Drive carefully. Do not take unnecessary risks by driving in dangerous areas or over rough terrain.
- Slow down and employ extra caution at all times. When driving off-road, you will not have the benefit of marked traffic lanes, banked curves, traffic signs and the like.
- Do not drive across steep slopes. Instead, drive either straight up or straight down the slopes. A vehicle can much more easily tip over sideways than it can end over end. Avoid driving straight up or down slopes that are too steep.
- Avoid sharp turning maneuvers, especially at higher speeds.
- Do not grip the inside or spokes of the steering wheel. A bad bump could jerk the wheel and injure your hands. Instead drive with your fingers and thumbs on the outside of the rim.
- If driving through water, such as when

crossing shallow streams, first check the depth of the water and the bottom of the stream bed for firmness and ensure that the bed of the stream is flat. Drive slowly and completely through the stream. The water should be shallow enough that it does not reach the vehicle's undercarriage. Water entering the engine air intake or the exhaust pipe or water splashing onto electrical parts may damage your vehicle and may cause it to stall. Never attempt to drive through rushing water; regardless of its depth, it can wash away the ground from under your tires, resulting in possible loss of traction and even vehicle rollover.

- Always check your brakes for effectiveness immediately after driving in sand, mud or water. Do this by driving slowly and stepping on the brake pedal. Repeat that process several times to dry out the brake discs and brake pads.
- Do not drive or park over or near flammable materials such as dry grass or fallen leaves, as they may burn easily. The exhaust system is very hot while the engine is running and right after engine stops. This could create a fire hazard.
- After driving through tall grass, mud, rocks, sand, rivers, etc., check that there is no grass, bush, paper, rags, stones, sand, etc. adhering to or trapped on the

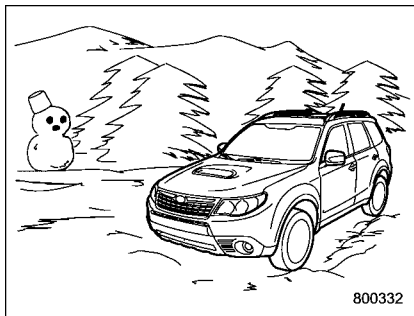
underbody. Clear off any such matter from the underbody. If the vehicle is used with these materials trapped or adhering to the underbody, a mechanical breakdown or fire could occur.

- Secure all cargo carried inside the vehicle and make certain that it is not piled higher than the seatbacks. During sudden stops or jolts, unsecured cargo could be thrown around in the vehicle and cause injury. Do not pile heavy loads on the roof. Those loads raise the vehicle's center of gravity and make it more prone to tip over.
- If you must rock the vehicle to free it from sand or mud, depress the accelerator pedal slightly and move the selector lever back and forth between "D" and "R" repeatedly. Do not race the engine. For the best possible traction, avoid spinning the wheels when trying to free the vehicle.
- When the road surface is extremely slippery, you can obtain better traction by starting the vehicle with the transmission in 2nd than 1st.
- Never equip your vehicle with tires larger than those specified in this manual.
- Wash the vehicle's underbody after off-road driving. Suspension components are particularly prone to dirt buildup, so they need to be washed thoroughly.
- Frequent driving of an AWD model

under hard-driving conditions such as rough roads or off roads will necessitate more frequent replacement of engine oil, brake fluid and transmission oil than that specified in the maintenance schedule described in the "Warranty and Maintenance Booklet".

Remember that damage done to your SUBARU while operating it off-road and not using common sense precautions such as those listed above is not eligible for warranty coverage.

Winter driving



■ Operation during cold weather

Carry some emergency equipment, such as a window scraper, a bag of sand, flares, a small shovel and jumper cables.

Check the battery and cables. Cold temperatures reduce battery capacity. The battery must be in good condition to provide enough power for cold winter starts.

Use an engine oil of proper grade and viscosity for cold weather. Heavy summer oil will cause harder starting.

Keep the door locks from freezing by squirting them with deicer or glycerin.

Forcing a frozen door open may damage or separate the rubber weather strips around the door. If the door is frozen, use hot water to melt the ice, and afterwards thoroughly wipe the water away.

Use a windshield washer fluid that contains an antifreeze solution. Do not use engine antifreeze or other substitutes because they may damage the paint of the vehicle.

SUBARU Windshield Washer Fluid contains 58.5% methyl alcohol and 41.5% surfactant, by volume. Its freezing temperature varies according to how much it is diluted, as indicated in the following table.

Washer Fluid Concentration	Freezing Temperature
30%	10.4°F (-12°C)
50%	-4°F (-20°C)
100%	-49°F (-45°C)

In order to prevent freezing of washer fluid, check the freezing temperatures in the table above when adjusting the fluid concentration to the outside temperature.

If you fill the reservoir tank with a fluid with a different concentration from the one used previously, purge the old fluid from the piping between the reservoir tank and

washer nozzles by operating the washer for a certain period of time. Otherwise, if the concentration of the fluid remaining in the piping is too low for the outside temperature, it may freeze and block the nozzles.

▲ CAUTION

Adjust the washer fluid concentration appropriately for the outside temperature. If the concentration is inappropriate, sprayed washer fluid may freeze on the windshield and obstruct your view, and the fluid may freeze in the reservoir tank.

▼ Before driving your vehicle

Before entering the vehicle, remove any snow or ice from your shoes because that could make the pedals slippery and dangerous.

While warming up the vehicle before driving, check that the accelerator pedal, brake pedal, and all other controls operate smoothly.

Clear away ice and snow that has accumulated under the fenders to avoid making steering difficult. During severe winter driving, stop when and where it is safe to do so and check under the fenders

periodically.

▼ Parking in cold weather

Do not use the parking brake when parking for long periods in cold weather since it could freeze in that position. Instead, observe the following.

1. Place the shift lever in "1" or "R" for manual transmission models, and in "P" for automatic transmission models.
2. Use tire stops under the tires to prevent the vehicle from moving.

When the vehicle is parked in snow or when it snows, raise the wiper blades off the glass to prevent damage to them.

When the vehicle has been left parked after use on roads heavily covered with snow, or has been left parked during a snowstorm, icing may develop on the brake system, which could cause poor braking action. Check for snow or ice buildup on the suspension, disc brakes and brake hoses underneath the vehicle. If there is caked snow or ice, remove it, being careful not to damage the disc brakes and brake hoses and ABS harness.



WARNING

Snow can trap dangerous exhaust gases under your vehicle. Keep

snow clear of the exhaust pipe and from around your vehicle if you park the vehicle in snow with the engine running.

▼ Refueling in cold weather

To help prevent moisture from forming in the fuel system and the risk of its freezing, use of an antifreeze additive in the fuel tank is recommended during cold weather. Use only additives that are specifically designed for this purpose. When an antifreeze additive is used, its effect lasts longer if the tank is refilled whenever the fuel level reaches half empty.

If your SUBARU is not going to be used for an extended period, it is best to have the fuel tank filled to capacity.

■ Driving on snowy and icy roads

To prevent skidding and slipping, avoid sudden braking, abrupt acceleration, high-speed driving, and sharp turning when driving on snowy or icy roads.

Always maintain ample distance between your vehicle and the vehicle ahead of you to avoid the need for sudden braking.

To supplement the foot brake, use the engine brake effectively to control the vehicle speed. (Shift into a lower gear

when necessary.)

Avoid shifting down abruptly. Such behavior can cause the wheels to lock, possibly leading to loss of vehicle control.

An anti-lock brake system (ABS) enhances your vehicle's braking performance on snowy and icy roads. For information on braking on slippery surfaces, refer to "ABS (Anti-lock Brake System)" 7-24 and "Vehicle Dynamics Control system" 7-27.



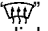
WARNING


Do not use the cruise control on slippery roads such as snowy or icy roads. This may cause loss of vehicle control.

**CAUTION**

Avoid prolonged continuous driving in snowstorms. Snow will enter the engine's intake system and may hinder the air flow, which could result in engine shutdown or even breakdown.

▼ Wiper operation when snowing

Before driving in cold weather, make sure the wiper blades are not frozen to the windshield or rear window. If the wiper blades are frozen to the windshield or rear window, use the defroster with the airflow control dial in the “” position and the temperature control dial set for maximum warmth until the wiper blades are completely thawed out. If your vehicle is equipped with a wiper deicer, it is helpful to thaw the windshield wiper blades. To thaw out the rear wiper blade, use the rear window defogger.

When driving in snow, if frozen snow starts to stick on the surface of the windshield despite wiper operation, use the defroster with the airflow control dial in “” and the temperature control dial set for maximum warmth. After the windshield gets warmed enough to melt the frozen snow on it, wash it away using the windshield washer.

Snow stuck on the wiper arm prevents the wiper from working effectively. If snow is stuck on the wiper arm, pull off the road to a safe place, then remove it. If you stop the vehicle at road side, use the hazard warning flasher to alert other drivers.

We recommend use of non-freezing type wiper blades (winter blades) during the seasons you could have snow and freezing temperatures. Blades of this type give superior wiping performance in snowy conditions. Be sure to use blades that are suitable for your vehicle.

**CAUTION**

During high-speed driving, non-freezing type wiper blades may not perform as well as standard wiper blades. If this happens, reduce the vehicle speed.

NOTE

When the season requiring non-freezing type wiper blades is over, replace them with standard wiper blades.

■ Corrosion protection

Refer to “Corrosion protection”  10-4.

■ Snow tires**WARNING**

- **When replacing original tires with winter (snow) tires, make sure you use only the same size, construction and load range as the original tires listed on the tire placard. Using other sizes and construction may affect speedometer/odometer calibration and clearance between the body and tires. It also may be dangerous and lead to loss of vehicle control.**
- **You must install four winter tires that are of the same size, construction, brand, and load range. Mixing other sizes or constructions may result in severe mechanical damage to the drive train of your vehicle and may affect ride, handling, braking and speedometer/odometer calibration. It also may be dangerous and lead to loss of vehicle control.**
- **Do not use a combination of radial, belted bias or bias tires since it may cause dangerous handling characteristics and lead**

to an accident.

Your vehicle is equipped with “all season tires” as original equipment, which are designed to provide an adequate measure of traction, handling and braking performance in year-round driving. In winter, it may be possible to enhance performance through use of tires designed specifically for winter driving conditions.

When you choose to install winter tires on your vehicle, be sure to use the correct tire size and type. You must install four winter tires that are of the same size, construction, brand and load range and you should never mix radial, belted bias or bias tires since this may result in dangerous handling characteristics. When you choose a tire, make sure that there is enough clearance between the tire and vehicle body.

Remember to drive with care at all times regardless of the type of tires on your vehicle.

■ Tire chains**CAUTION**

Tire chains cannot be used on your vehicle because of the lack of clearance between the tires and vehicle body.

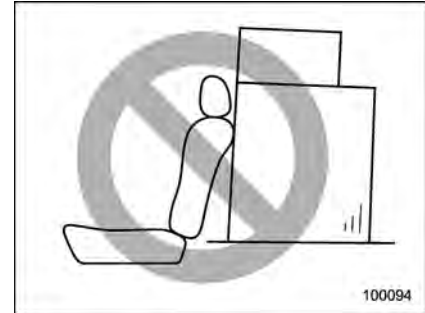
■ Rocking the vehicle

If you must rock the vehicle to free it from snow, sand, or mud, depress the accelerator pedal slightly and move the selector lever back and forth between “D” and “R” repeatedly. Do not race the engine. For the best possible traction, avoid spinning the wheels when trying to free the vehicle. When the road surface is extremely slippery, you can obtain better traction by starting the vehicle with the transmission in 2nd than 1st (both for MT and AT).

If your vehicle is an AT model, for information about holding the transmission in the 2nd position, refer to “Selection of manual mode” 7-19 and “Driving tips” 7-21.

Loading your vehicle**WARNING**

- Never allow passengers to ride on a folded rear seatback or in the cargo area. Doing so may result in serious injury.
- Never stack luggage or other cargo higher than the top of the seatback because it could tumble forward and injure passengers in the event of a sudden stop or accident. Keep luggage or cargo low, as close to the floor as possible.



100094

**WARNING**

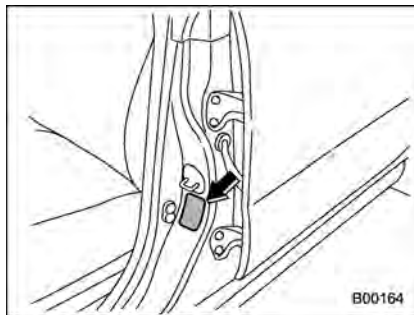
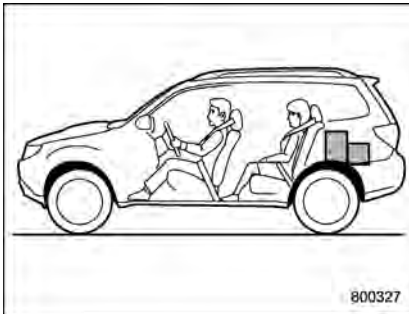
- When you carry something inside the vehicle, secure it whenever you can to prevent it from being thrown around inside the vehicle during sudden stops, sharp turns or in an accident.
- Do not pile heavy loads on the roof. These loads raise the vehicle's center of gravity and make it more prone to tip over.
- Secure lengthy items properly to prevent them from shooting forward and causing serious injury during a sudden stop.
- Never exceed the maximum load limit. If you do, some parts on your vehicle can break, or it can change the way your vehicle handles. This could result in loss of control and cause personal injury. Also, overloading can shorten the life of your vehicle.
- Do not place anything on the extended cargo area cover. Such items could tumble forward in the event of a sudden stop or a collision. This could cause serious injury.

**CAUTION**

Do not carry spray cans, containers with flammable or corrosive liquids or any other dangerous items inside the vehicle.

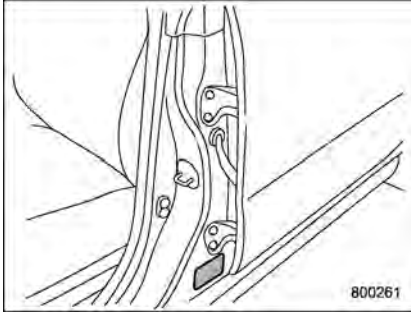
NOTE

For better fuel economy, do not carry unneeded cargo.

■ Vehicle capacity weight

The load capacity of your vehicle is determined by weight, not by available cargo space. The maximum load you can carry in your vehicle is shown on the vehicle placard attached to the driver's side door pillar. It includes the total weight of the driver and all passengers and their belongings, any optional equipment such as a trailer hitch, roof rack or bike carrier, etc.

■ GVWR and GAWR (Gross Vehicle Weight Rating and Gross Axle Weight Rating)



The certification label attached to the driver's side doorjamb shows GVWR (Gross Vehicle Weight Rating) and GAWR (Gross Axle Weight Rating).

The GVW (Gross Vehicle Weight) must never exceed the GVWR. GVW is the combined total of weight of the vehicle, fuel, driver, all passengers, luggage and any optional equipment. Therefore, the GVW changes depending on the situation. The GVWR equals Curb Weight (actual weight of your vehicle – including standard equipment, fluids, emergency tools and spare tire assembly) plus the vehicle capacity weight.

In addition, the total weight applied to each axle (GAW) must never exceed the GAWR. The front and rear GAWs can be adjusted by relocating luggage inside the vehicle.

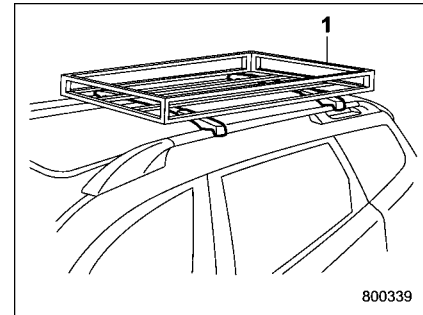
Even if the total weight of your luggage is lower than the vehicle capacity weight, either front or rear GAW may exceed the GAWR, depending on the distribution of the luggage.

When possible, the load should be evenly distributed throughout the vehicle.

If you carry heavy loads in the vehicle, you should confirm that GVW and front and rear GAWs are within the GVWR and GAWR by putting your vehicle on a vehicle scale, found at a commercial weighing station.

Do not use replacement tires with a lower load range than the originals because they may lower the GVWR and GAWR limitations. Replacement tires with a higher load range than the originals do not increase the GVWR and GAWR limitations.

■ Roof rail (if equipped)



1) Roof rack

Luggage can be carried on the roof after securing the roof rack to the roof rail. When installing the roof rack on the roof rail, follow the manufacturer's instructions. The roof rail is designed to carry loads (luggage and roof rack) of not more than **150 lbs (68 kg)**.

CAUTION

- When using the roof rack, make sure that the total carrying load of the roof rack and luggage does not exceed 150 lbs (68 kg). Overloading may cause damage to the vehicle.
- For cargo carrying purposes, the

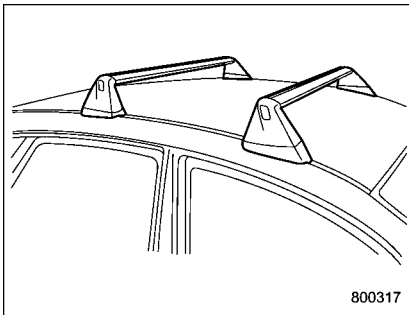
roof rail must be used together with the roof rack and any appropriate carrying attachment that may be needed. The roof rail must never be used alone to carry cargo. Otherwise, damage to the roof or paint or a dangerous road hazard due to loss of cargo could result.

NOTE

Remember that the vehicle's center of gravity is altered with the weight of the load on the roof, thus affecting driving characteristics.

Drive carefully. Avoid rapid starts, hard cornering and abrupt stops. Crosswind effects will be increased.

■ Roof molding and crossbar (if equipped)



⚠ CAUTION

- For cargo carrying purposes, the roof molding must be used together with a roof crossbar kit and the appropriate carrying attachment. Otherwise, damage to the roof or paint or a dangerous road hazard due to loss of cargo could result.
- When using the roof crossbar kit, make sure that the total weight of the crossbars, carrying attachment and cargo does not exceed the maximum load limit. Overloading may cause damage to

the vehicle and create a safety hazard.

Cargo can be carried after securing the roof crossbar kit to the roof molding and installing the appropriate carrying attachment. When installing the roof crossbar kit, follow the manufacturer's instructions.

When you carry cargo on the roof using the roof crossbar kit and a carrying attachment, never exceed the maximum load limit as explained below. You should also be careful that your vehicle does not exceed the Gross Vehicle Weight Rating (GVWR) and front and rear Gross Axle Weight Rating (GAWR). For information about loading cargo into or onto your vehicle, refer to "Loading your vehicle" 8-11. The maximum load limit of the cargo, crossbars and carrying attachment must not exceed **176 lbs (80 kg)**. Place the heaviest load at the bottom, nearest the roof, and evenly distribute the cargo. Always properly secure all cargo.

▼ Installing carrying attachments on the crossbars

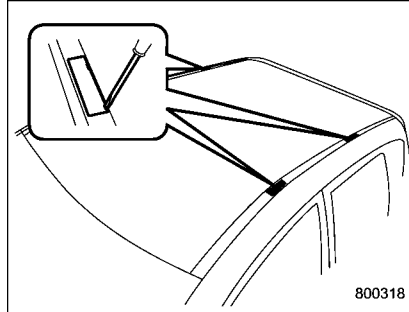
When installing any carrying attachment such as a bike carrier, ski carrier, kayak carrier, cargo basket, etc. on the crossbars, follow the manufacturer's instructions and make sure that the attachment is securely fixed to the crossbars. Use only attachments designed specifically for the crossbars. A set of the crossbars is designed to carry loads (cargo and attachment) of not more than **165 lbs (75 kg)**. Before operating the vehicle, make sure that the cargo is properly secured on the attachment.

NOTE

Remember that the vehicle's center of gravity is altered with the weight of the load on the roof, thus affecting the driving characteristics.

Drive carefully. Avoid rapid starts, hard cornering and abrupt stops. Crosswind effects will be increased.

▼ Removal and installation of the crossbars



Each of the two roof moldings has two mounting points for crossbars. Each mounting point is fitted with a cover. Use a screwdriver to remove the covers. When installing the crossbars on the roof molding, follow the manufacturer's instructions.

Trailer hitch (dealer option)

⚠ WARNING

- Never exceed the maximum weight specified for the trailer hitch. Exceeding the maximum weight could cause an accident resulting in serious personal injuries. Permissible trailer weight changes depending on the situation. For possible recommendations and limitations, refer to "Trailer towing" 8-17.
- Trailer brakes are required when the towing load exceeds 1,000 lbs (453 kg). Be sure your trailer has safety chains and that each chain will hold the trailer's maximum gross weight. Towing trailers without safety chains could create a traffic safety hazard if the trailer separates from the hitch due to coupling damage or hitch ball damage.
- Be sure to check the hitch pin and safety pin for positive locking placement before towing a trailer. If the ball mount comes off the hitch receiver, the trailer could get loose and create a

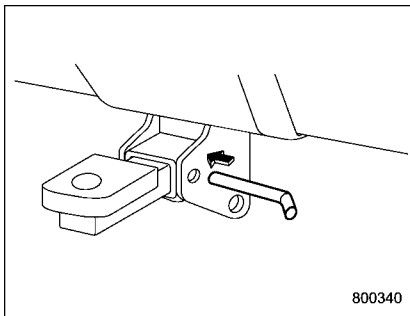
traffic safety hazard.

- Use only the ball mount supplied with this hitch. Use the hitch only as a weight carrying hitch. Do not use with any type of weight distributing hitch.
- The standard bumper beam must be installed after you remove the trailer hitch. Consult a SUBARU dealer for purchase of a standard bumper beam if you do not have the original.
- Safety performance is decreased and there is increased risk of injury to passengers in the case of an accident if the trailer hitch or a standard bumper beam is not installed. One of them must always be installed on the vehicle.
- If a trailer hitch is installed, it is not possible to install the rear towing hook.

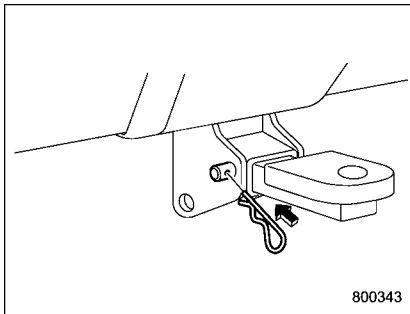
When you tow a trailer, refer to "Trailer towing" 8-17.

■ Connecting a trailer

1. Remove the receiver cover from the hitch receiver tube. Then insert the ball mount into the hitch receiver tube.

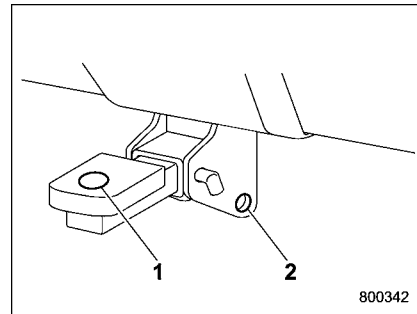


2. Insert the hitch pin into the hole on the hitch receiver tube so that the pin passes through the ball mount.



3. Insert the safety pin securely into the hitch pin.
4. Pull the ball mount to make sure it

does not come off the hitch receiver.



- 1) Hitch ball installation point
- 2) Hooks for safety chains

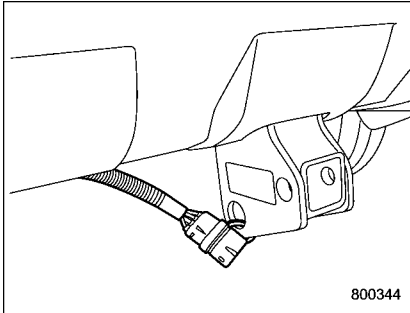
5. Use only a hitch ball that is appropriate for the ball mount and your trailer. The hitch ball must be securely installed on the ball mount.

6. Connect your trailer to the hitch ball.

7. Connect the trailer and the hitch with safety chains that will hold the trailer's maximum gross weight. The chains should cross under the trailer tongue to prevent the tongue from dropping onto the ground in case it should disconnect from the hitch ball. Allow sufficient slack in the chains taking tight-turn situations into account; however, be careful not to let them drag on the ground.

WARNING

Do not connect safety chains to part of the vehicle other than the safety chain hooks.



Hitch harness connector

8. Connect the hitch wire harness's black four-pin wire connector to the towing trailer's wire harness
9. Confirm proper function of the hitch wire harness by individually activating the brake, stop, and turn signal lights on the trailer.

NOTE

Always disconnect the trailer wire harness before launching or retrieving a

watercraft.

When you do not tow a trailer

- Remove the ball mount from the hitch receiver tube and insert the receiver cover onto the hitch receiver tube.
- Place the dust cap over the four-pin connector of the hitch wire harness to protect against possible damage.
- Occasionally lubricate terminals of the four-pin connector using terminal grease.

Trailer towing

Your vehicle is designed and intended to be used primarily as a passenger-carrying vehicle. Towing a trailer puts additional loads on your vehicle's engine, drivetrain, brakes, tires and suspension and has an adverse effect on fuel economy.

If you do decide to tow a trailer, your safety and satisfaction depend upon proper use of correct equipment and cautious operation of your vehicle. Seek the advice of your SUBARU dealer to assist you in purchasing a hitch and other necessary towing equipment appropriate for your vehicle. In addition, be sure to follow the instructions on correct installation and use provided by the trailer and other towing equipment manufacturers.

SUBARU assumes no responsibility for injuries or vehicle damage that result from trailer towing equipment, or from any errors or omissions in the instructions accompanying such equipment or for your failure to follow the proper instructions.

Warranties and maintenance

SUBARU warranties do not apply to vehicle damage or malfunction caused by trailer towing. If you use your vehicle to tow a trailer, more frequent maintenance will be required due to the additional load.

(Refer to “Maintenance schedule under severe driving conditions” in the “Warranty and Maintenance Booklet”.)

Under no circumstances should a trailer be towed with a new vehicle or a vehicle with any new powertrain component (engine, transmission, differential, wheel bearings, etc.) for the first 1,000 miles (1,600 km) of driving.

■ Maximum load limits

WARNING

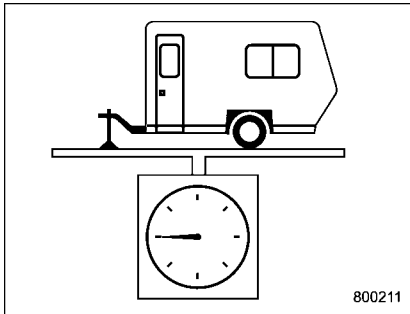
Never exceed the maximum load limits explained in the following. Exceeding the maximum load limits could cause personal injury and/or vehicle damage.

CAUTION

- Adequate size trailer brakes are required when the trailer and its cargo exceed 1,000 lbs (453 kg) total weight.
- Before towing a trailer, check the trailer total weight, GVW, GAWs and tongue load. Make sure the load and its distribution in your vehicle and trailer are accepta-

ble.

▼ Total trailer weight

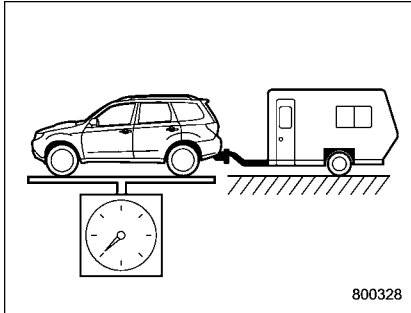


Total trailer weight

The total trailer weight (trailer weight plus its cargo load) must never exceed the maximum weight shown in the following table.

Model	Conditions	Maximum total trailer weight
MT models	When towing a trailer without brakes.	1,000 lbs (453 kg)
	When towing a trailer with brakes.	2,400 lbs (1,087 kg)
AT models	When towing a trailer without brakes.	1,000 lbs (453 kg)
	When towing a trailer with brakes.	2,400 lbs (1,087 kg)
	When towing a trailer on a long uphill grade continuously for over 5 miles (8 km) with an outside temperature of 104°F (40°C) or above.	1,000 lbs (453 kg)

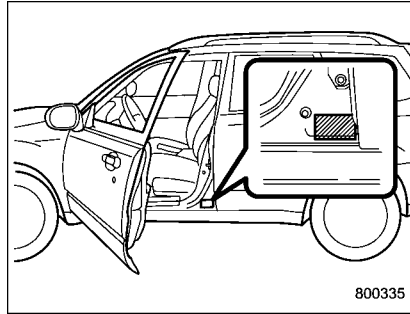
▼ **Gross Vehicle Weight (GVW) and Gross Vehicle Weight Rating (GVWR)**



Gross Vehicle Weight

The Gross Vehicle Weight (GVW) must never exceed the Gross Vehicle Weight Rating (GVWR).

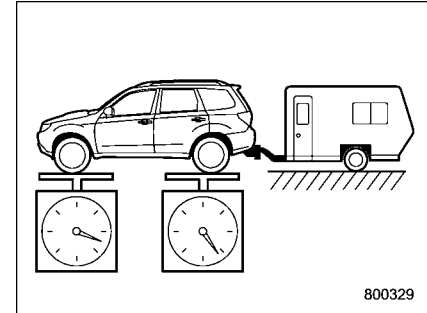
Gross Vehicle Weight (GVW) is the combined total of the weight of the vehicle, driver, passengers, luggage, trailer hitch, trailer tongue load and any other optional equipment installed on your vehicle. Therefore, the GVW changes depending on the situation. Determine the GVW each time before going on a trip by putting your vehicle and trailer on a vehicle scale.



Certification label

GVWR is shown on the certification label located on the driver's side door jamb.

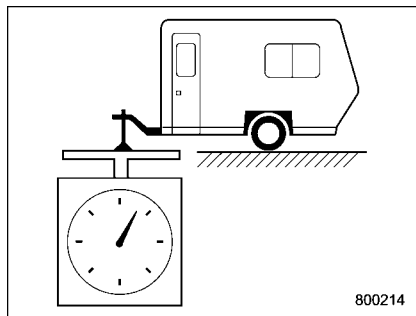
▼ **Gross Axle Weight (GAW) and Gross Axle Weight Rating (GAWR)**



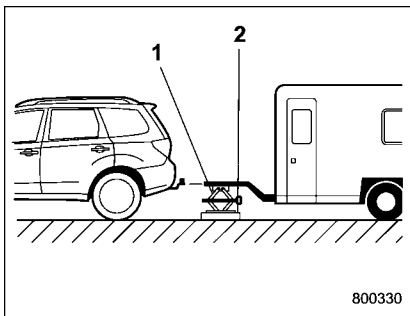
Gross Axle Weight

The total weight applied to each axle (GAW) must never exceed the Gross Axle Weight Rating (GAWR). The front and rear GAWs can be adjusted by relocating passengers and luggage inside the vehicle. The front and rear GAWR are also shown on the certification label.

To check both GVWR and GAWR and to confirm that the total weight and weight distribution are within safe driving limits, you should have your vehicle and trailer weighed at a commercial weighing station. Be sure that all cargo is firmly secured to prevent a change in weight distribution while driving.

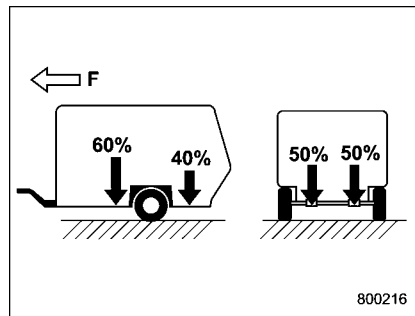
▼ **Tongue load****Tongue load**

Ensure that the trailer tongue load is from 8 to 11 percent of the total trailer weight and does not exceed the maximum value of 200 lbs (90 kg).



- 1) Jack
- 2) Bathroom scale

The tongue load can be weighed with a bathroom scale as shown in the illustration above. When weighing the tongue load, be sure to position the towing coupler at the height at which it would be during actual towing, using a jack as shown.



F: Front of vehicle

The tongue load can be adjusted by proper distribution of the load in the trailer. Never load the trailer with more weight in the back than in the front; approximately 60 percent of the trailer load should be in the front and approximately 40 percent in the rear. Also, distribute the load as evenly as possible on both the left and right sides.

Be sure that all cargo is firmly secured to prevent a change in weight distribution while driving.


WARNING

If the trailer is loaded with more weight in the back of trailer's axle than in the front, the load is taken off

the rear axle of the towing vehicle. This may cause the rear wheels to skid, especially during braking or when vehicle speed is reduced during cornering, resulting in oversteer, spin out and/or jackknifing.

■ Trailer hitches

WARNING

Never drill the frame or under-body of your vehicle to install a commercial trailer hitch. If you do, dangerous exhaust gas, water or mud may enter the passenger compartment through the drilled hole. Exhaust gas contains carbon monoxide, a colorless and odorless gas which is dangerous, or even lethal, if inhaled. Also, drilling the frame or under-body of your vehicle could cause deterioration of strength of your vehicle and cause corrosion around the drilled hole.

CAUTION

- Do not modify the vehicle exhaust system, brake system, or other systems when installing a

hitch or other trailer towing equipment.

- Do not use axle-mounted hitches as they can cause damage to the axle housing, wheel bearings, wheels or tires.

Choose a proper hitch for your vehicle and trailer.

The use of a genuine SUBARU trailer hitch is recommended. A genuine SUBARU hitch is available from your SUBARU dealer.

If use of a non-genuine hitch is unavoidable, be sure the hitch is suited to your vehicle and trailer. Consult with a professional hitch supplier to assist you in choosing an appropriate hitch for your vehicle. Be sure to follow all of the hitch manufacturer's instructions for installation and use.

Never use a hitch that mounts only to the rear bumper. The bumper is not designed to handle that type of load.

For all types of hitches, regularly check that the hitch mounting bolts and nuts are tight.

■ Connecting a trailer

▼ Trailer brakes

WARNING

- Adequate size trailer brakes are required when the trailer and its cargo exceed 1,000 lbs (453 kg) total weight.
- Do not directly connect your trailer's hydraulic brake system to the hydraulic brake system in your vehicle. Direct connection would cause the vehicle's brake performance to deteriorate and could lead to an accident.

If your trailer's total weight (trailer weight plus its cargo weight) exceeds 1,000 lbs (453 kg), the trailer is required to be equipped with its own brake system. Electric brakes or surge brakes are recommended, and must be installed properly. Check that your trailer's brakes conform with Federal, state/province and/or other applicable regulations. Your SUBARU's brake system is not designed to be tapped into the trailer's hydraulic brake system. Please ask your SUBARU dealer and professional trailer supplier for more information about the trailer's brake system.

▼ Trailer safety chains

WARNING

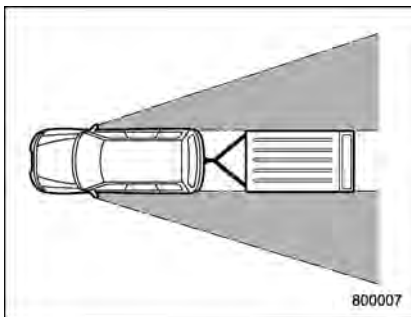
Always use safety chains between your vehicle and the trailer. Towing a trailer without safety chains could create a traffic safety hazard if the trailer separates from the hitch due to coupling damage or hitch ball damage.

In case the trailer hitch connector or hitch ball should break or become disconnected, the trailer could get loose and create a traffic safety hazard.

For safety, always connect the towing vehicle and trailer with trailer safety chains. Pass the chains crossing each other under the trailer tongue to prevent the trailer from dropping onto the ground in case the trailer tongue should disconnect from the hitch ball. Allow sufficient slack in the chains taking tight-turn situations into account; however, be careful not to let them drag on the ground.

For more information about the safety chain connection, refer to the instructions for your hitch and trailer.

▼ Side mirrors



After hitching a trailer to your vehicle, check that the standard side mirrors provide a good rearward field of view without significant blind spots. If significant blind spots occur with the vehicle's standard side mirrors, use towing mirrors that conform with Federal, state/province and/or other applicable regulations.

▼ Trailer lights

CAUTION

Direct splicing or other improper connection of trailer lights may damage your vehicle's electrical system and cause a malfunction of your vehicle's lighting system.

Connection of trailer lights to your vehicle's electrical system requires modifications to the vehicle's lighting circuit to increase its capacity and accommodate wiring changes. To ensure the trailer lights are connected properly, please consult your SUBARU dealer. Check for proper operation of the brake lights and turn signal lights each time you hitch up.

▼ Tires

WARNING

Never tow a trailer when the temporary spare tire is used. The temporary spare tire is not designed to sustain the towing load. Use of the temporary spare tire when towing can result in failure of the spare tire and/or less stability of the vehicle.

Make sure that all the tires on your vehicle are properly inflated.

The recommended cold tire pressure under trailer towing conditions is shown in "Tires" 12-5 and in "GAS STATION REFERENCE" at the end of this manual. Adjust the rear tire pressure to the recommended pressure when the tires are cold. Normal pressure should be maintained in the front tires.

Trailer tire condition, size, load rating and proper inflation pressure should be in accordance with the trailer manufacturer's specifications.

In the event your vehicle gets a flat tire when towing a trailer, ask a commercial road service to repair the flat tire.

If you carry a regular size spare tire in your vehicle or trailer as a precaution against getting a flat tire, be sure that the spare tire is firmly secured.

■ Trailer towing tips

WARNING

- **Never exceed 45 mph (72 km/h) when towing a trailer in hilly country on hot days.**
- **When towing a trailer, steering, stability, stopping distance and braking performance will be different from normal operation. For safety's sake, you should employ extra caution when towing a trailer and you should never speed. You should also keep the following tips in mind:**

▼ Before starting out on a trip

- Check that the vehicle and vehicle-to-hitch mounting are in good condition. If any problems are apparent, do not tow the trailer.
- Check that the vehicle sits horizontally with the trailer attached. If the vehicle is tipped sharply up at the front and down at the rear, check the total trailer weight, GVW, GAWs and tongue load again, then confirm that the load and its distribution are acceptable.
- Check that the tire pressures are correct.
- Check that the vehicle and trailer are connected properly. Confirm that
 - the trailer tongue is connected properly to the hitch ball.
 - the trailer lights connector is connected properly and trailer's brake lights illuminate when the vehicle's brake pedal is pressed, and that the trailer's turn signal lights flash when the vehicle's turn signal lever is operated.
 - the safety chains are connected properly.
 - all cargo in the trailer is secured safely in position.
 - the side mirrors provide a good rearward field of view without a sig-

nificant blind spot.

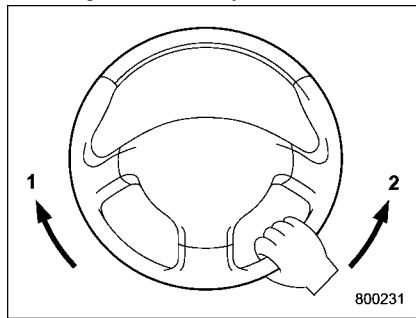
- Sufficient time should be taken to learn the "feel" of the vehicle/trailer combination before starting out on a trip. In an area free of traffic, practice turning, stopping and backing up.

▼ Driving with a trailer

- You should allow for considerably more stopping distance when towing a trailer. Avoid sudden braking because it may result in skidding or jackknifing and loss of control.
- Avoid abrupt starts and sudden accelerations. If your vehicle has a manual transmission, always start out in first gear and release the clutch at moderate engine revolution.
- Avoid uneven steering, sharp turns and rapid lane changes.
- Slow down before turning. Make a longer than normal turning radius because the trailer wheels will be closer than the vehicle wheels to the inside of the turn. In a tight turn, the trailer could hit your vehicle.
- Crosswinds will adversely affect the handling of your vehicle and trailer, causing sway. Crosswinds can be due to weather conditions or the passing of large trucks or buses. If swaying occurs, firmly grip the steering wheel and slow down

immediately but gradually.

- When passing other vehicles, considerable distance is required because of the added weight and length caused by attaching the trailer to your vehicle.



- 1) Left turn
- 2) Right turn

- Backing up with a trailer is difficult and takes practice. When backing up with a trailer, never accelerate or steer rapidly. When turning back, grip the bottom of the steering wheel with one hand and turn it to the left for a left turn, and turn it to the right for a right turn.
- If the ABS warning light illuminates while the vehicle is in motion, stop towing the trailer and have repairs performed immediately by the nearest SUBARU dealer.

▼ Driving on grades

- Before going down a steep hill, slow down and shift into lower gear (if necessary, use 1st gear) in order to utilize the engine braking effect and prevent overheating of your vehicle's brakes. Do not make sudden downshifts.
- When driving uphill in hot weather, the air conditioner may turn off automatically to protect the engine from overheating.
- When driving uphill in hot weather, pay attention to the coolant temperature high warning light (for all models) and AT OIL TEMP warning light (for AT models) because the engine and transmission are relatively prone to overheating under these conditions. If the coolant temperature high warning light or the AT OIL TEMP warning light illuminates, immediately turn off the air conditioner and stop the vehicle in the nearest safe location. For further instructions and additional information, refer to the following sections.
 - “If you park your vehicle in case of an emergency” 9-2
 - “Engine overheating” 9-12
 - “Coolant temperature low indicator light/Coolant temperature high warning light” 3-13
 - “AT OIL TEMP warning light (AT models)” 3-14
- If your vehicle has an automatic trans-

mission, avoid using the accelerator pedal to stay stationary on an uphill slope instead of using the parking brake or foot brake. That may cause the transmission fluid to overheat.

- If your vehicle has an automatic transmission, place the selector lever as follows.

Uphill slopes: “D” position

Downhill slopes: A low-speed gear position to use engine braking

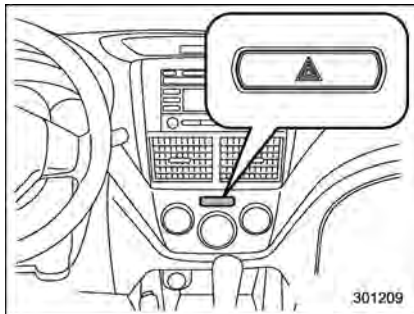
▼ Parking on a grade

Always block the wheels under both vehicle and trailer when parking. Apply the parking brake firmly. You should not park on a hill or slope. But if parking on a hill or slope cannot be avoided, you should take the following steps.

1. Apply the brakes and hold the pedal down.
2. Have someone place wheel blocks under both the vehicle and trailer wheels.
3. When the wheel blocks are in place, release the regular brakes slowly until the blocks absorb the load.
4. Apply the regular brakes and then apply the parking brake; slowly release the regular brakes.
5. Shift into 1st or reverse gear (manual transmission) or “P” (automatic transmission) and shut off the engine.

If you park your vehicle in case of an emergency	9-2	Engine overheating	9-12
Temporary spare tire (if equipped)	9-2	If steam is coming from the engine compartment	9-12
Precautions for AWD models with automatic transmission	9-3	If no steam is coming from the engine compartment	9-12
Maintenance tools	9-4	Towing	9-12
Tool bag.....	9-4	Towing and tie-down hooks.....	9-13
Under the cargo area.....	9-5	Using a flat-bed truck.....	9-15
Flat tires	9-6	Towing with all wheels on the ground.....	9-16
Changing a flat tire.....	9-6	Rear gate – if the rear gate cannot be opened	9-17
Tire pressure monitoring system (TPMS) (U.S.-spec. models)	9-9	Moonroof – if the moonroof cannot be closed	9-17
Jump starting	9-10		
How to jump start.....	9-10		

If you park your vehicle in case of an emergency



The hazard warning flasher should be used in day or night to warn other drivers when you have to park your vehicle under emergency conditions.

Avoid stopping on the road. It is best to safely pull off the road if a problem occurs.

The hazard warning flasher can be activated regardless of the ignition switch position.

Turn on the hazard warning by pushing the hazard warning flasher switch. Turn it off by pushing the switch again.

NOTE

When the hazard warning flasher is on, the turn signals do not work.

Temporary spare tire (if equipped)

WARNING

When a spare tire is mounted or a wheel rim is replaced without the original pressure sensor/transmitter being transferred, the low tire pressure warning light will illuminate steadily after blinking for approximately one minute. This indicates the tire pressure monitoring system (TPMS) is unable to monitor all four road wheels. Contact your SUBARU dealer as soon as possible for tire and sensor replacement and/or system resetting.

CAUTION

Never use any temporary spare tire other than the original. Using other sizes may result in severe mechanical damage to the drive train of your vehicle.

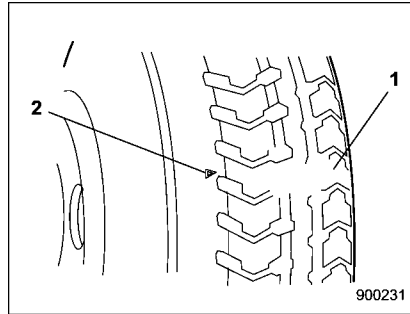
The temporary spare tire is smaller and lighter than a conventional tire and is designed for emergency use only. Remove the temporary spare tire and re-

install the conventional tire as soon as possible because the spare tire is designed only for temporary use.

Check the inflation pressure of the temporary spare tire periodically to keep the tire ready for use. The correct pressure is **60 psi (420 kPa, 4.2 kg/cm²)**.

When using the temporary spare tire, note the following.

- Do not exceed 50 mph (80 km/h).
- Do not put a tire chain on the temporary spare tire. Because of the smaller tire size, a tire chain will not fit properly.
- Do not use two or more temporary spare tires at the same time.
- Do not drive over obstacles. This tire has a smaller diameter, so road clearance is reduced.



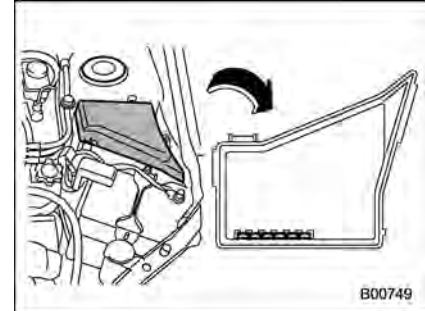
- 1) Tread wear indicator bar
- 2) Indicator location mark

- When the wear indicator appears on the tread, replace the tire.
- The temporary spare tire must be used only on a rear wheel. If a front wheel tire gets punctured, replace the wheel with a rear wheel and install the temporary spare tire in place of the removed rear wheel.

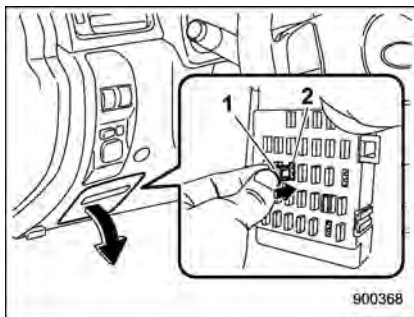
■ Precautions for AWD models with automatic transmission

Your vehicle is equipped with the AWD (All-Wheel Drive) system. In addition, if your vehicle is an AT model, before driving your vehicle with the temporary spare tire, deactivate the AWD capability of the vehicle as follows.

1. Turn the ignition switch to the "LOCK" position.



2. Pull any one spare fuse out of the spare fuse holder in the engine compartment. Spare fuses are attached on the back side of the fuse holder cover. You may pick up any one fuse in the spare fuse holder.



- 1) Spare fuse
- 2) FWD connector

3. Put a spare fuse inside the FWD connector located in the cabin and confirm that the All-Wheel Drive warning light "AWD" illuminates. The All-Wheel-Drive capability of the vehicle has now been deactivated.

NOTE

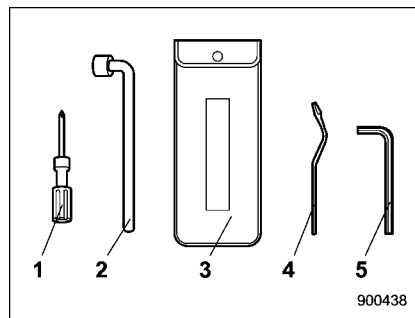
After reinstalling the conventional tire, remove the spare fuse from the FWD connector in order to reactivate All-Wheel Drive. Make sure to restore the removed spare fuse in the spare fuse holder located in the engine compartment.

Maintenance tools

Your vehicle is equipped with the following maintenance tools:

- Jack
- Jack handle
- Screwdriver
- Towing hook (eye bolt)
- Wheel nut wrench
- Hex-head wrench (only vehicles with moonroof)
- Wheel cover remover (only vehicles with wheel covers)

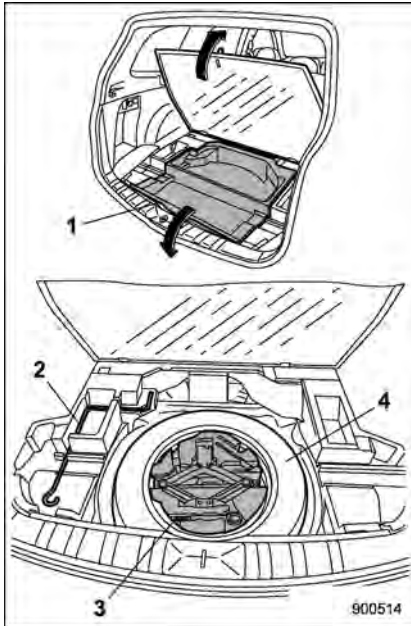
■ Tool bag



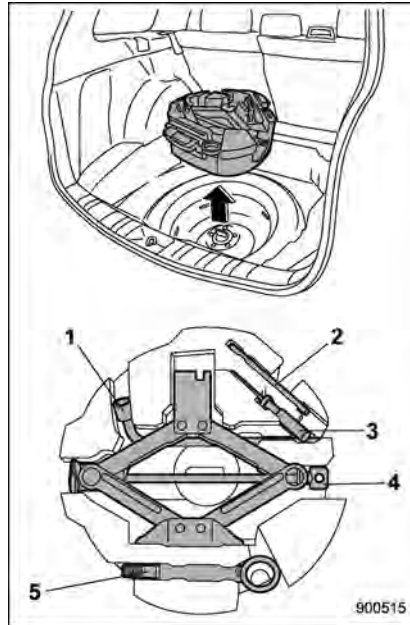
- 1) Screwdriver
- 2) Wheel nut wrench
- 3) Tool bag
- 4) Wheel cover remover (only vehicles with wheel covers)
- 5) Hex-head wrench (only vehicles with moonroof)

The screwdriver and wheel nut wrench are stored in the tool bag.

■ Under the cargo area



- 1) Under-floor storage compartment (if equipped) (Refer to "Under-floor storage compartment" 6-16)
- 2) Jack handle
- 3) Tool bucket
- 4) Spare tire



- 1) Wheel nut wrench
- 2) Hex-head wrench (only vehicles with moonroof)
- 3) Screwdriver
- 4) Jack
- 5) Towing hook (eye bolt)

The jack handle is stored under the cargo

floor. The jack and towing hook are stored in the tool bucket that is located in the recess of the spare tire wheel.

Also, the tools in the tool bag can be stored in the tool bucket as illustrated.

For how to use the jack, refer to "Flat tires" 9-6.

Flat tires

If you have a flat tire while driving, never brake suddenly; keep driving straight ahead while gradually reducing speed. Then slowly pull off the road to a safe place.

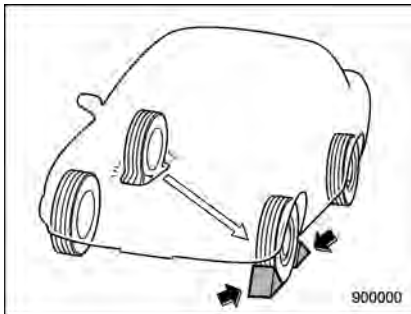
■ Changing a flat tire

WARNING

- Do not jack up the vehicle on an incline or a loose road surface. The jack can come out of the jacking point or sink into the ground and this can result in a severe accident.
- Use only the jack provided with your vehicle. The jack supplied with the vehicle is designed only for changing a tire. Never get under the vehicle while supporting the vehicle with this jack.

- Always turn off the engine before raising the flat tire off the ground using the jack. Never swing or push the vehicle supported with the jack. The jack can come out of the jacking point due to a jolt and this can result in a severe accident.

1. Park on a hard, level surface, when-ever possible, then stop the engine.
2. Set the parking brake securely and shift the shift lever in reverse (MT models) or the selector lever in the “P” (Park) position (AT models).
3. Turn on the hazard warning flasher and have everyone get out of the vehicle.



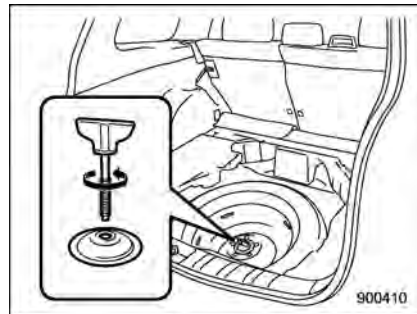
4. Put wheel blocks at the front and rear of the tire diagonally opposite the flat tire.

5. Take out the jack, jack handle and wheel nut wrench.

The tools and the spare tire are stored under the floor of the cargo area. Refer to “Maintenance tools” 9-4.

NOTE

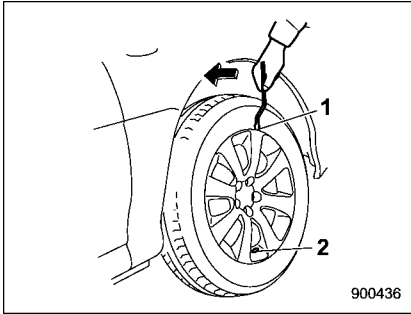
Make sure that the jack is well lubricated before using it.



6. Take out the tool bucket and turn the attaching bolt counterclockwise, then take the spare tire out.

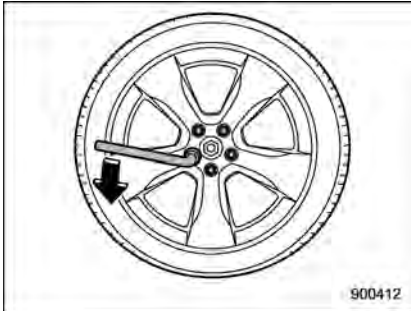
NOTE

If the spare tire provided in your vehicle is a temporary spare tire, carefully read “Temporary spare tire” 9-2 and strictly follow the instructions.

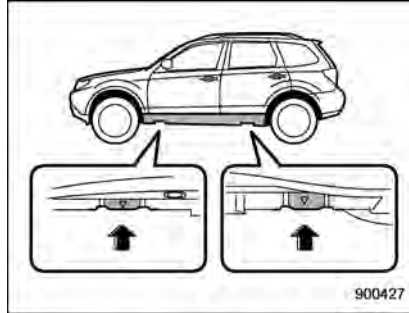


- 1) Notch
- 2) Valve hole

7. If your vehicle has wheel covers, insert a wheel cover remover into the notch on the opposite side of the valve hole and pry the wheel cover to remove it.

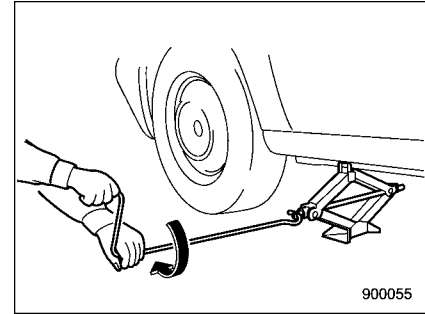


8. Loosen the wheel nuts using the wheel nut wrench but do not remove the nuts.



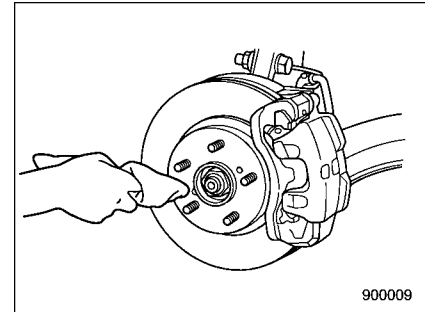
9. Place the jack under the side sill at the front or rear jack-up point closest to the flat tire.

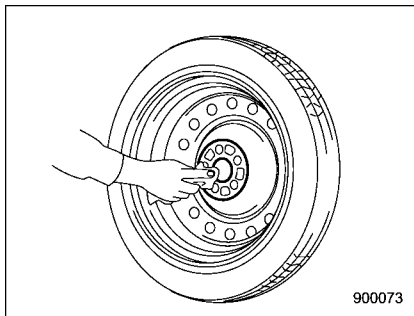
Turn the jackscrew by hand until the jack head engages firmly into the jack-up point.



10. Insert the jack handle into the jackscrew, and turn the handle until the tire clears the ground. Do not raise the vehicle higher than necessary.

11. Remove the wheel nuts and the flat tire.





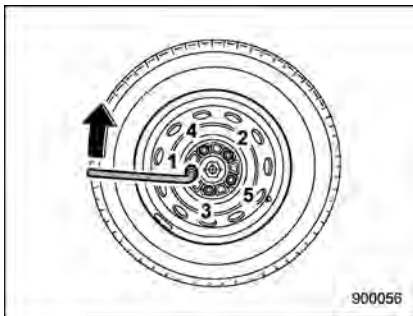
12. Before putting the spare tire on, clean the mounting surface of the wheel and hub with a cloth.

13. Put on the spare tire. Replace the wheel nuts. Tighten them by hand.

▲ WARNING

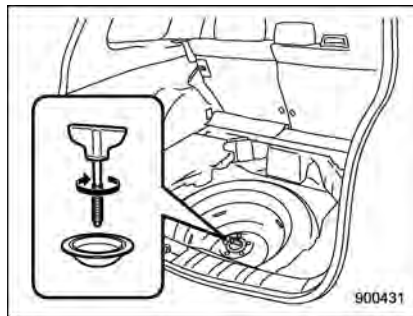
Do not use oil or grease on the wheel studs or nuts when the spare tire is installed. This could cause the nuts to become loose and lead to an accident.

14. Turn the jack handle counterclockwise to lower the vehicle.



15. Use the wheel nut wrench to securely tighten the wheel nuts to the specified torque, following the tightening order in the illustration.

The torque for tightening the nuts is 58 to 72 lbf-ft (80 to 100 N·m, 8 to 10 kgf·m). This torque is equivalent to applying approximately 88 to 110 lbs (40 to 50 kg) at the top of the wheel nut wrench. Never use your foot on the wheel nut wrench or a pipe extension on the wrench because you may exceed the specified torque. Have the wheel nut torque checked at the nearest automotive service facility.

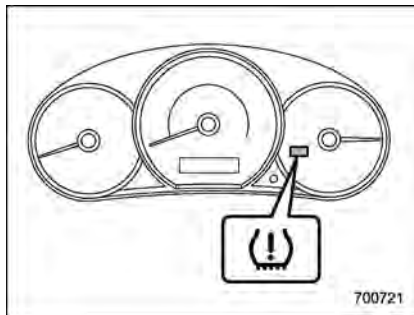


16. Store the flat tire in the spare tire compartment. Put in the spacer and tighten the attaching bolt firmly. Also store the jack, jack handle and wheel nut wrench in their storage locations.

▲ WARNING

Never place a tire or tire changing tools in the passenger compartment after changing wheels. In a sudden stop or collision, loose equipment could strike occupants and cause injury. Store the tire and all tools in the proper place.

■ Tire pressure monitoring system (TPMS) (U.S.-spec. models)



The tire pressure monitoring system provides the driver with the warning message indicated by sending a signal from a sensor that is installed in each wheel when tire pressure is severely low.

The tire pressure monitoring system will activate only when the vehicle is driven. Also, this system may not react immediately to a sudden drop in tire pressure (for example, a blow-out caused running over a sharp object).

WARNING

If the low tire pressure warning light illuminates while driving, never

brake suddenly and keep driving straight ahead while gradually reducing speed. Then slowly pull off the road to a safe place. Otherwise an accident involving serious vehicle damage and serious personal injury could occur.

Check the pressure for all four tires and adjust the pressure to the COLD tire pressure shown on the vehicle placard on the door pillar on the driver's side. If this light still illuminates while driving after adjusting the tire pressure, a tire may have significant damage and a fast leak that causes the tire to lose air rapidly. If you have a flat tire, replace it with a spare tire as soon as possible.

When a spare tire is mounted or a wheel rim is replaced without the original pressure sensor/transmitter being transferred, the low tire pressure warning light will illuminate steadily after blinking for approximately one minute. This indicates the TPMS is unable to monitor all four road wheels. Contact your SUBARU dealer as soon as possible for tire and sensor replacement and/or system resetting.

Do not inject any tire liquid or

aerosol tire sealant into the tires, as this may cause a malfunction of the tire pressure sensors.

If the light illuminates steadily after blinking for approximately one minute, promptly contact a SUBARU dealer to have the system inspected.

Jump starting



WARNING

- **Battery fluid is SULFURIC ACID. Do not let it come in contact with the eyes, skin, clothing or the vehicle.**

If battery fluid gets on you, thoroughly flush the exposed area with water immediately. Get medical help if the fluid has entered your eyes.

If battery fluid is accidentally swallowed, immediately drink a large amount of milk or water, and obtain immediate medical help.

Keep everyone including children away from the battery.

- **The gas generated by a battery explodes if a flame or spark is brought near it. Do not smoke or light a match while jump starting.**
- **Never attempt jump starting if the discharged battery is frozen. It could cause the battery to burst or explode.**
- **Whenever working on or around a battery, always wear suitable**

eye protectors, and remove metal objects such as rings, bands or other metal jewelry.

- **Be sure the jumper cables and clamps on them do not have loose or missing insulation.**

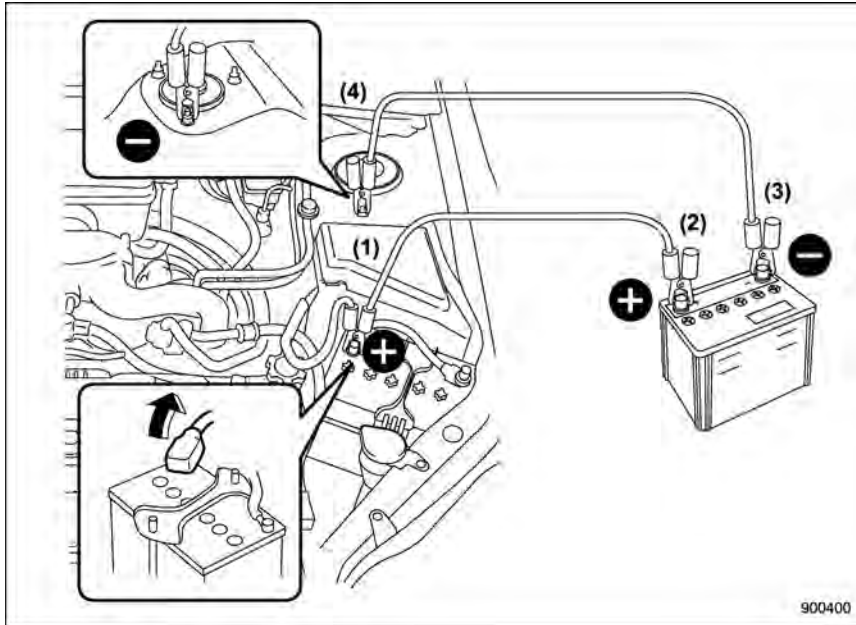
Do not jump start unless cables in suitable condition are available.

- **A running engine can be dangerous. Keep your fingers, hands, clothing, hair and tools away from the cooling fan, belts and any other moving engine parts. Removing rings, watches and ties is advisable.**
- **Jump starting is dangerous if it done incorrectly. If you are unsure about the proper procedure for jump starting, consult a competent mechanic.**

When your vehicle does not start due to a run down (discharged) battery, the vehicle may be jump started by connecting your battery to another battery (called the booster battery) with jumper cables.

■ How to jump start

1. Make sure the booster battery is 12 volts and the negative terminal is grounded.
2. If the booster battery is in another vehicle, do not let the two vehicles touch.
3. Turn off all unnecessary lights and accessories.
4. Connect the jumper cables exactly in the sequence illustrated.



- (1) Connect one jumper cable to the positive (+) terminal on the discharged battery.
- (2) Connect the other end of the jumper cable to the positive (+) terminal of the booster battery.
- (3) Connect one end of the other cable to the negative (-) terminal of the booster battery.
- (4) Connect the other end of the cable to the strut mounting nut of the vehicle with the discharged battery.

Make sure that the cables are not near any moving parts and that the cable clamps are not in contact with any other metal.

5. Start the engine of the vehicle with the booster battery and run it at moderate speed. Then start the engine of the vehicle that has the discharged battery.
6. When finished, carefully disconnect the cables in exactly the reverse order.

Engine overheating

WARNING

Never attempt to remove the radiator cap until the engine has been shut off and has fully cooled down. When the engine is hot, the coolant is under pressure. Removing the cap while the engine is still hot could release a spray of boiling hot coolant, which could burn you very seriously.

If the engine overheats, safely pull off the road and stop the vehicle in a safe place.

■ If steam is coming from the engine compartment

Turn off the engine and get everyone away from the vehicle until it cools down.

■ If no steam is coming from the engine compartment

1. Keep the engine running at idling speed.
2. Open the hood to ventilate the engine compartment.

Confirm that the cooling fan is turning. If the fan is not turning, immediately turn off

the engine and contact your authorized dealer for repair.

3. After the engine coolant temperature has dropped, turn off the engine.

If the coolant temperature high warning light illuminates, turn off the engine.

4. After the engine has fully cooled down, check the coolant level in the reserve tank.

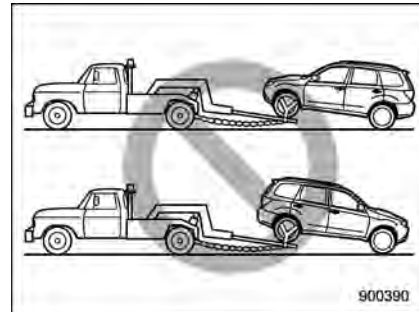
If the coolant level is below the "LOW" mark, add coolant up to the "FULL" mark.

5. If there is no coolant in the reserve tank, add coolant to the reserve tank. Then remove the radiator cap and fill the radiator with coolant.

If you remove the radiator cap from a hot radiator, first wrap a thick cloth around the radiator cap, then turn the cap counter-clockwise slowly without pressing down until it stops. Release the pressure from the radiator. After the pressure has been fully released, remove the cap by pressing down and turning it.

Towing

If towing is necessary, it is best done by your SUBARU dealer or a commercial towing service. Observe the following procedures for safety.



WARNING

Never tow AWD models (both AT and MT) with the front wheels raised off the ground while the rear wheels are on the ground, or with the rear wheels raised off the ground while the front wheels are on the ground. This will cause the vehicle to spin away due to the operation or deterioration of the center differential.

■ Towing and tie-down hooks

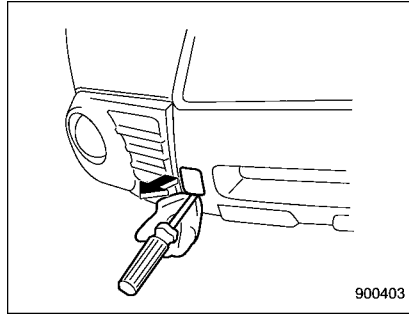
The towing hooks should be used only in an emergency (e.g., to free a stuck vehicle from mud, sand or snow).

⚠ CAUTION

- Use only the specified towing hook and tie-down hook. Never use suspension parts or other parts of the body for towing or tie-down purposes.
- To prevent deformation to the front bumper and the towing hook, do not apply excessive lateral load to the towing hook.

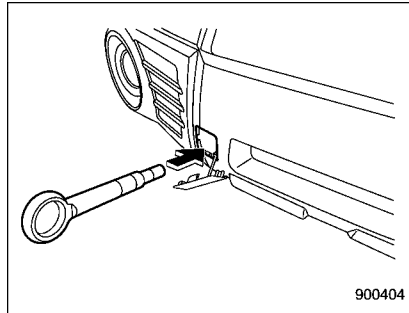
Front towing hook:

1. Take the towing hook out of the tool bucket and take the screwdriver out of the tool bag. Take the wheel nut wrench out of the cargo area.



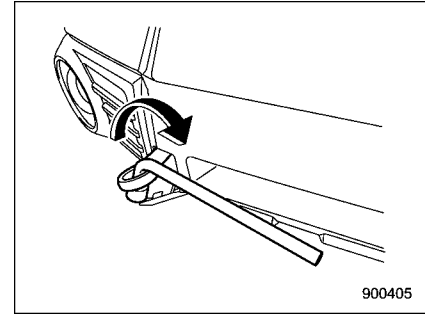
900403

2. Pry off the cover on the front bumper using a screwdriver, and you will find a threaded hole for attaching the towing hook.



900404

3. Screw the towing hook into the thread hole until its thread can no longer be seen.



900405

4. Tighten the towing hook securely using a wheel nut wrench.

After towing, remove the towing hook from the vehicle and stow it in the tool bucket. Fit the towing hook cover on the bumper.

⚠ WARNING

- Do not use the towing hook except when towing your vehicle.
- Be sure to remove the towing hook after towing. Leaving the towing hook mounted on the vehicle could interfere with proper operation of the SRS airbag system in a frontal collision.

Rear towing hook:

 CAUTION

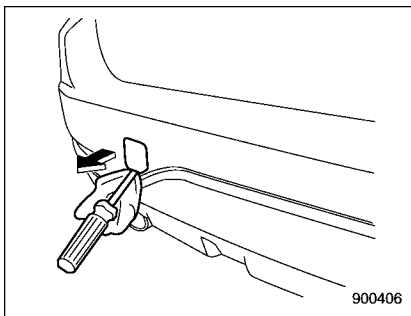
If a trailer hitch is installed, it is not possible to install the rear towing hook.

To install the rear towing hook, the standard bumper beam must be installed on the vehicle at a SUBARU dealer. Consult a SUBARU dealer for details.

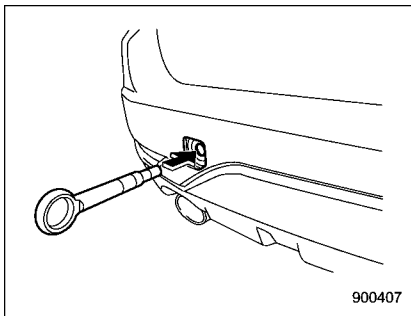
Use a hitch ball and follow the instructions below when towing.

- The weight of the object being towed must be less than the weight of the vehicle.
- Drive the vehicle 20 mph (32 km/h) or less speed.
- Do not drive more than 31 miles (50 km).

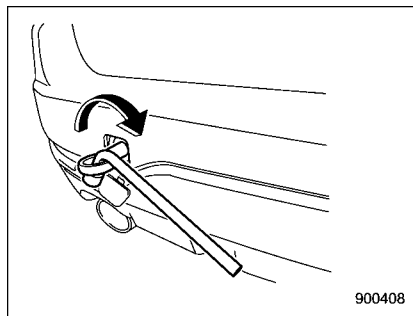
1. Take the towing hook out of the tool bucket and take the screwdriver out of the tool bag. Take the wheel nut wrench out of the cargo area.



2. Pry off the cover on the rear bumper using a screwdriver, and you will find a threaded hole for attaching the towing hook.



3. Screw the towing hook into the thread hole until its thread can no longer be seen.

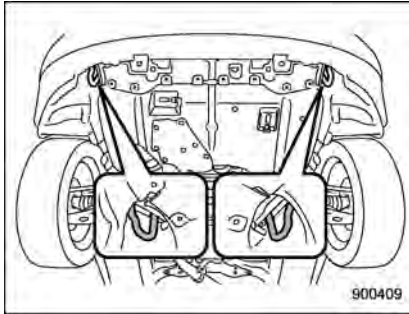


4. Tighten the towing hook securely using a wheel nut wrench.

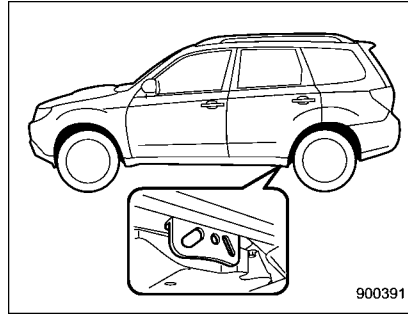
After towing, remove the towing hook from the vehicle and stow it in the tool bucket. Fit the towing hook cover on the bumper.

 WARNING

Do not use the towing hook except when towing your vehicle.

Front tie-down hooks:

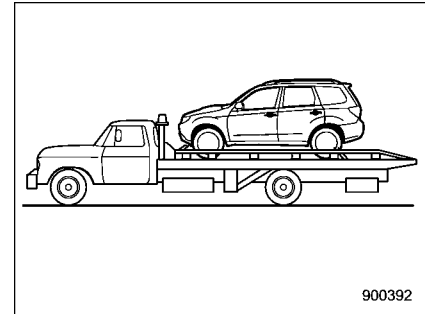
The front tie-down hooks are located between each of the front tires and the front bumper.

Rear tie-down hooks:

The rear tie-down hooks are located near each of the jack-up reinforcements.

▲ WARNING

Use the rear tie-down hooks only for downward anchoring. If they are used to anchor the vehicle in any other direction, cables may slip off the hooks, possibly causing a dangerous situation.

■ Using a flat-bed truck

This is the best way to transport your vehicle. Use the following procedures to ensure safe transportation.

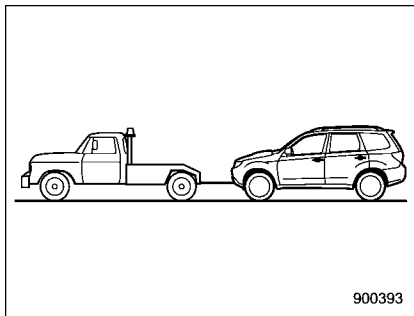
1. Shift the selector lever into the "P" position for automatic transmission models or "1st" for manual transmission models.
2. Pull up the parking brake lever firmly.
3. Secure the vehicle onto the carrier properly with safety chains. Each safety chain should be equally tightened and care must be taken not to pull the chains so tightly that the suspension bottoms out.



CAUTION

If your vehicle has a front under-spoiler and rear underspoiler (both optional), be careful not to scrape them when placing the vehicle on the carrier and when removing the vehicle from the carrier.

■ **Towing with all wheels on the ground**



1. Check the transmission and differential oil levels and add oil to bring it to the upper level if necessary.
2. Release the parking brake and put the transmission in neutral.
3. The ignition switch should be in the "Acc" position while the vehicle is being

towed.

4. Take up slack in the towline slowly to prevent damage to the vehicle.



WARNING

- Never turn the ignition switch to the "LOCK" position while the vehicle is being towed because the steering wheel and the direction of the wheels will be locked.
- Remember that the brake booster and power steering do not function when the engine is not running. Because the engine is turned off, it will take greater effort to operate the brake pedal and steering wheel.



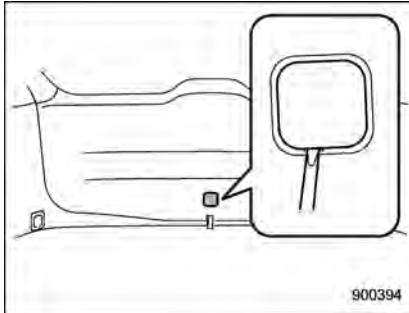
CAUTION

- If transmission failure occurs, transport your vehicle on a flat-bed truck.
- Do not run the engine while being towed using this method. Transmission damage could result if the vehicle is towed with the engine running.
- For vehicles with automatic transmission, the traveling speed

must be limited to less than 20 mph (30 km/h) and the traveling distance to less than 31 miles (50 km). For greater speeds and distances, transport your vehicle on a flat-bed truck.

Rear gate – if the rear gate cannot be opened

In the event that you cannot open the rear gate by operating the power door locking switches or the remote keyless entry system, you can open it from inside the cargo area.



1. Remove the access cover at the bottom-center of the rear gate trim.
2. Locate the rear gate lock release lever behind the rear gate trim panel.

CAUTION

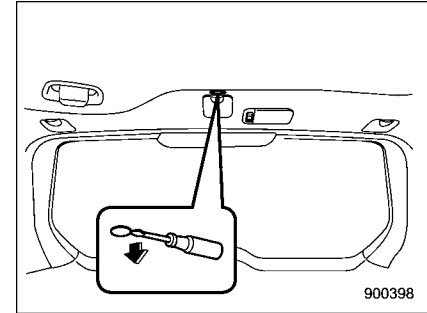
Never operate the rear gate lock release lever with fingers because doing so may cause an injury. Always use a screwdriver or a similar tool.



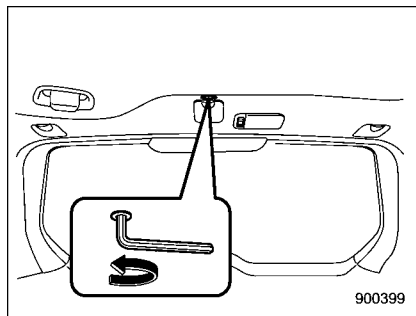
3. Turn the lever to the right position using a screwdriver.
4. Open the rear gate from outside by holding the rear gate with your hands.

Moonroof – if the moonroof cannot be closed

If the moonroof cannot be closed with the moonroof switch, you can close the moonroof manually.



1. Remove the plug on the roof trim of the cargo area by inserting the end of the flat-head screwdriver between the roof and prying it off.



2. Insert a hex-head wrench in the end of the motor shaft.

To close the moonroof, turn the wrench counterclockwise.

Have your vehicle checked and repaired by an authorized SUBARU dealer.

Exterior care	10-2	Cleaning the interior	10-5
Washing.....	10-2	Seat fabric.....	10-5
Waxing and polishing	10-3	Leather seat materials.....	10-5
Cleaning aluminum wheels	10-3	Synthetic leather upholstery.....	10-5
Corrosion protection	10-4	Climate control panel, audio panel, instrument panel, console panel, and switches	10-5
Most common causes of corrosion.....	10-4	Navigation monitor (if equipped)	10-6
To help prevent corrosion.....	10-4		

Exterior care

■ Washing

CAUTION

- When washing the vehicle, the brakes may get wet. As a result, the brake stopping distance will be longer. To dry the brakes, drive the vehicle at a safe speed while lightly pressing the brake pedal to heat up the brakes.
- Do not wash the engine compartment and area adjacent to it. If water enters the engine air intake, electrical parts or the power steering fluid reservoir, it will cause engine trouble or faulty power steering respectively.
- Since your vehicle is equipped with a rear wiper, automatic car-wash brushes could become tangled around it, damaging the wiper arm and other components. Ask the automatic car-wash operator not to let the brushes touch the wiper arm or to fix the wiper arm on the rear window glass with adhesive tape before operating the machine.

NOTE

When having your vehicle washed in an automatic car wash, make sure beforehand that the car wash is of suitable type.

The best way to preserve your vehicle's beauty is frequent washing. Wash the vehicle at least once a month to avoid contamination by road grime.

Wash dirt off with a wet sponge and plenty of lukewarm or cold water. Do not wash the vehicle with hot water and in direct sunlight.

Salt, chemicals, insects, tar, soot, tree sap, and bird droppings should be washed off by using a light detergent, as required. If you use a light detergent, make certain that it is a neutral detergent. Do not use strong soap or chemical detergents. All cleaning agents should be promptly flushed from the surface and not allowed to dry there. Rinse the vehicle thoroughly with plenty of lukewarm water. Wipe the remaining water off with a chamois or soft cloth.

▼ Washing the underbody

Chemicals, salts and gravel used for deicing road surfaces are extremely corrosive, accelerating the corrosion of underbody components, such as the exhaust

system, fuel and brake lines, brake cables, floor pan and fenders, and suspension.

Thoroughly flush the underbody and inside of the fenders with lukewarm or cold water at frequent intervals to reduce the harmful effects of such agents.

Mud and sand adhering to the underbody components may accelerate their corrosion.

After driving off-road or on muddy or sandy roads, wash the mud and sand off the underbody. Carefully flush the suspension and axle parts, as they are particularly prone to mud and sand buildup. Do not use a sharp-edged tool to remove caked mud.

NOTE

Be careful not to damage brake hoses, sensor harnesses, and other parts when washing suspension components.

▼ Using a warm water washer

- Keep a good distance of 12 in (30 cm) or more between the washer nozzle and the vehicle.
- Do not wash the same area continuously.
- If a stain will not come out easily, wash

by hand. Some warm water washers are of the high temperature, high pressure type, and they can damage or deform the resin parts such as moldings, or cause water to leak into the vehicle.

■ Waxing and polishing

Always wash and dry the vehicle before waxing and polishing.

Use a good quality polish and wax and apply them according to the manufacturer's instructions. Wax or polish when the painted surface is cool.

Be sure to polish and wax the chrome trim, as well as the painted surfaces. Loss of wax on a painted surface leads to loss of the original luster and also quickens the deterioration of the surface. It is recommended that a coat of wax be applied at least once a month, or whenever the surface no longer repels water.

If the appearance of the paint has diminished to the point where the luster or tone cannot be restored, lightly polish the surface with a fine-grained compound. Never polish just the affected area, but include the surrounding area as well. Always polish in only one direction. A No. 2000 grain compound is recommended. Never use a coarse-grained compound. Coarse-grained compounds

have a smaller grain-size number and could damage the paint. After polishing with a compound, coat with wax to restore the original luster. Frequent polishing with a compound or an incorrect polishing technique will result in removing the paint layer and exposing the undercoat. When in doubt, it is always best to contact your SUBARU dealer or an auto paint specialist.

NOTE

Be careful not to block the windshield washer nozzles with wax when waxing the vehicle.

■ Cleaning aluminum wheels

- Promptly wipe the aluminum wheels clean of any kind of grime or agent. If dirt is left on too long, it may be difficult to clean off.
- Do not use soap containing grit to clean the wheels. Be sure to use a neutral cleaning agent, and later rinse thoroughly with water. Do not clean the wheels with a stiff brush or expose them to a high-speed washing device.
- Clean the vehicle (including the aluminum wheels) with water as soon as possible when it has been splashed with sea water, exposed to sea breezes, or driven on roads treated with salt or other

agents.

Corrosion protection

Your SUBARU has been designed and built to resist corrosion. Special materials and protective finishes have been used on most parts of the vehicle to help maintain fine appearance, strength, and reliable operation.

■ Most common causes of corrosion

The most common causes of corrosion are:

1. The accumulation of moisture retaining dirt and debris in body panel sections, cavities, and other areas.
2. Damage to paint and other protective coatings caused by gravel and stone chips or minor accidents.

Corrosion is accelerated on the vehicle when:

1. It is exposed to road salt or dust control chemicals, or used in coastal areas where there is more salt in the air, or in areas where there is considerable industrial pollution.
2. It is driven in areas of high humidity, especially when temperatures range just above freezing.
3. Dampness in certain parts of the vehicle remains for a long time, even

though other parts of the vehicle may be dry.

4. High temperatures will cause corrosion to parts of the vehicle which cannot dry quickly due to lack of proper ventilation.

■ To help prevent corrosion

Wash the vehicle regularly to prevent corrosion of the body and suspension components. Also, wash the vehicle promptly after driving on any of the following surfaces.

- roads that have been salted to prevent them from freezing in winter
- mud, sand, or gravel
- coastal roads

After the winter has ended, it is recommended that the underbody be given a very thorough washing.

Before the beginning of winter, check the condition of underbody components, such as the exhaust system, fuel and brake lines, brake cables, suspension, steering system, floor pan, and fenders. If any of them are found to be rusted, they should be given an appropriate rust prevention treatment or should be replaced. Contact your SUBARU dealer to perform this kind of maintenance and treatment if you need

assistance.

Repair chips and scratches in the paint as soon as you find them.

Check the interior of the vehicle for water and dirt accumulation under the floor mats because that could cause corrosion. Occasionally check under the mats to make sure the area is dry.

Keep your garage dry. Do not park your vehicle in a damp, poorly ventilated garage. In such a garage, corrosion can be caused by dampness. If you wash the vehicle in the garage or put the vehicle into the garage when wet or covered with snow, that can cause dampness.

If your vehicle is operated in cold weather and/or in areas where road salts and other corrosive materials are used, the door hinges and locks, and hood latch should be inspected and lubricated periodically.

Cleaning the interior

Use a soft, damp cloth to clean the climate control panel, audio equipment, instrument panel, center console, combination meter panel, and switches. (Do not use organic solvents.)

■ Seat fabric

Remove loose dirt, dust or debris with a vacuum cleaner. If the dirt is caked on the fabric or hard to remove with a vacuum cleaner, use a soft brush then vacuum it. Wipe the fabric surface with a tightly wrung cloth and dry the seat fabric thoroughly. If the fabric is still dirty, wipe using a solution of mild soap and lukewarm water then dry thoroughly.

If the stain does not come out, try a commercially-available fabric cleaner. Use the cleaner on a hidden place and make sure it does not affect the fabric adversely. Use the cleaner according to its instructions.

NOTE

When cleaning the seat, do not use benzine, paint thinner, or any similar materials.

■ Leather seat materials

The leather used by SUBARU is a high quality natural product which will retain its distinctive appearance and feel for many years with proper care.

Allowing dust or road dirt to build up on the surface can cause the material to become brittle and to wear prematurely. Regular cleaning with a soft, moist, natural fiber cloth should be performed monthly, taking care not to soak the leather or allow water to penetrate the stitched seams.

A mild detergent suitable for cleaning woolen fabrics may be used to remove difficult dirt spots, rubbing with a soft, dry cloth afterwards to restore the luster. If your SUBARU is to be parked for a long time in bright sunlight, it is recommended that the seats and headrests be covered, or the windows shaded, to prevent fading or shrinkage.

Minor surface blemishes or bald patches may be treated with a commercial leather spray lacquer. You will discover that each leather seat section will develop soft folds or wrinkles, which is characteristic of genuine leather.

■ Synthetic leather upholstery

The synthetic leather material used on the SUBARU may be cleaned using mild soap or detergent and water, after first vacuuming or brushing away loose dirt. Allow the soap to soak in for a few minutes and wipe off with a clean, damp cloth. Commercial foam-type cleaners suitable for synthetic leather materials may be used when necessary.

NOTE

Strong cleaning agents such as solvents, paint thinners, window cleaner or gasoline must never be used on leather or synthetic interior materials.

■ Climate control panel, audio panel, instrument panel, console panel, and switches

Use a soft, damp cloth to clean the climate control panel, audio equipment, instrument panel, center console, combination meter panel, and switches.

NOTE

Do not use organic solvents such as paint thinners or gasoline, or strong cleaning agents that contain those solvents.

■ **Navigation monitor (if equipped)**

To clean the navigation monitor, wipe it with a silicone cloth or with a soft cloth. If the navigation monitor is extremely dirty, clean it with a soft cloth moistened with neutral detergent then carefully wipe off any remaining detergent.

NOTE

- **Do not spray neutral detergent directly onto the monitor. Doing so could damage the monitor's components.**
- **Do not wipe the monitor with a hard cloth. Doing so could scratch the monitor.**
- **Do not use cleaning fluid that contains thinner, gasoline, or any other volatile substance. Such cleaning fluid could erase the lettering on the switches at the bottom of the monitor.**

Maintenance schedule	11-3	Recommended fluid	11-21
Maintenance precautions.....	11-3	Front differential gear oil (AT models)	11-21
Before checking or servicing in the engine compartment.....	11-4	Checking the oil level	11-21
When you do checking or servicing in the engine compartment while the engine is running.....	11-4	Recommended grade and viscosity	11-22
Engine hood	11-5	Rear differential gear oil.....	11-22
Engine compartment overview.....	11-6	Checking the gear oil level.....	11-22
Non-turbo models	11-6	Recommended grade and viscosity	11-23
Turbo models	11-7	Power steering fluid	11-24
Engine oil.....	11-8	Checking the fluid level.....	11-24
Checking the oil level	11-8	Recommended fluid.....	11-25
Changing the oil and oil filter.....	11-9	Brake fluid	11-25
Recommended grade and viscosity	11-11	Checking the fluid level.....	11-25
Recommended grade and viscosity under severe driving conditions	11-12	Recommended brake fluid	11-26
Synthetic oil.....	11-12	Clutch fluid (MT models).....	11-26
Cooling system	11-12	Checking the fluid level.....	11-26
Cooling fan, hose and connections.....	11-12	Recommended clutch fluid.....	11-27
Engine coolant.....	11-13	Brake booster	11-27
Air cleaner element.....	11-15	Brake pedal	11-28
Replacing the air cleaner element.....	11-16	Checking the brake pedal free play	11-28
Spark plugs	11-18	Checking the brake pedal reserve distance.....	11-28
Recommended spark plugs	11-18	Clutch pedal (MT models)	11-28
Drive belts	11-18	Checking the clutch function.....	11-28
Manual transmission oil	11-19	Checking the clutch pedal free play.....	11-29
Checking the oil level	11-19	Hill start assist system (MT models).....	11-29
Recommended grade and viscosity	11-20	Replacement of brake pad and lining	11-29
Automatic transmission fluid	11-20	Breaking-in of new brake pads and linings	11-30
Checking the fluid level.....	11-20	Parking brake stroke	11-30
		Tires and wheels.....	11-31
		Types of tires.....	11-31

Tire pressure monitoring system (TPMS) (U.S.-spec. models)	11-31	Rear window wiper blade rubber	11-43
Tire inspection	11-33	Battery	11-44
Tire pressures and wear	11-33	Fuses	11-45
Wheel balance	11-35	Main fuse	11-46
Wear indicators	11-35	Installation of accessories	11-47
Tire rotation direction mark	11-36	Replacing bulbs	11-47
Tire rotation	11-36	Headlights (models with HID headlights).....	11-47
Tire replacement	11-37	Headlights (models without HID headlights).....	11-47
Wheel replacement	11-37	Position light	11-50
Wheel covers (if equipped)	11-38	Front turn signal light	11-50
Aluminum wheels	11-38	Rear combination lights	11-50
Windshield washer fluid	11-39	License plate light	11-51
Replacement of wiper blades	11-40	Dome light, map light, cargo area light and door step light	11-51
Windshield wiper blade assembly	11-41	Other bulbs	11-52
Windshield wiper blade rubber	11-41		
Rear window wiper blade assembly	11-42		

Maintenance schedule

The scheduled maintenance items required to be serviced at regular intervals are shown in the "Warranty and Maintenance Booklet".

For details of your maintenance schedule, read the separate "Warranty and Maintenance Booklet".

Maintenance precautions

When maintenance and service are required, it is recommended that all work be done by an authorized SUBARU dealer.

If you perform maintenance and service by yourself, you should familiarize yourself with the information provided in this section on general maintenance and service for your SUBARU.

Incorrect or incomplete service could cause improper or unsafe vehicle operation. Any problems caused by improper maintenance and service performed by you are not eligible for warranty coverage.



WARNING

- Testing of an All-Wheel Drive vehicle must NEVER be performed on a single two-wheel dynamometer or similar apparatus. Attempting to do so will result in transmission damage and in uncontrolled vehicle movement and may cause an accident or injuries to persons nearby.
- Always select a safe area when performing maintenance on your vehicle.

- Always be very careful to avoid injury when working on the vehicle. Remember that some of the materials in the vehicle may be hazardous if improperly used or handled, for example, battery acid.
- Your vehicle should only be serviced by persons fully competent to do so. Serious personal injury may result to persons not experienced in servicing vehicles.
- Always use the proper tools and make certain that they are well maintained.
- Never get under the vehicle supported only by a jack. Always use safety stands to support the vehicle.
- Never keep the engine running in a poorly ventilated area, such as a garage or other closed areas.
- Do not smoke or allow open flames around the fuel or battery. This will cause a fire.
- Because the fuel system is under pressure, replacement of the fuel filter should be performed only by your SUBARU dealer.
- Wear adequate eye protection to

guard against getting oil or fluids in your eyes. If something does get in your eyes, thoroughly wash them out with clean water.

- Do not tamper with the wiring of the SRS airbag system or seatbelt pretensioner system, or attempt to take its connectors apart, as that may activate the system or it can render it inoperative. NEVER use a circuit tester for this wiring. If your SRS airbag or seatbelt pretensioner needs service, consult your nearest SUBARU dealer.

■ Before checking or servicing in the engine compartment

WARNING

- Always stop the engine and set the parking brake firmly to prevent the vehicle from moving.
- Always let the engine cool down. Engine parts become very hot when the engine is running and remain hot for some time after the engine is stopped.
- Do not spill engine oil, engine coolant, brake fluid or any other fluid on hot engine components. This may cause a fire.
- Always remove the key from the ignition switch. When the ignition switch is in the "ON" position, the cooling fan may operate suddenly even when the engine is stopped.
- Before performing any servicing on a vehicle equipped with a remote engine start system (a dealer option) temporarily place that system in the service mode to prevent it from unexpectedly starting the engine.

■ When you do checking or servicing in the engine compartment while the engine is running

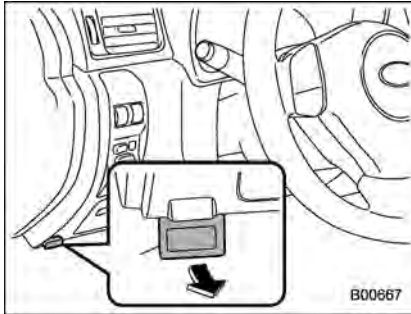
WARNING

A running engine can be dangerous. Keep your fingers, hands, clothing, hair and tools away from the cooling fan, belts and any other moving engine parts. Removing rings, watches and ties is advisable.

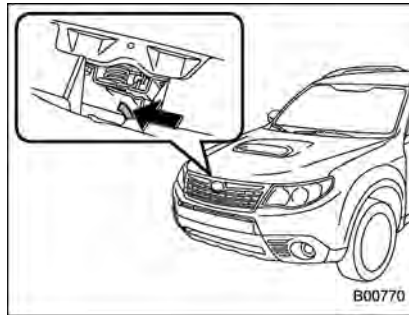
Engine hood

To open the hood:

1. If the wiper blades are lifted off the windshield, return them to their original position.



2. Pull the hood release knob under the instrument panel.



3. Release the secondary hood release by moving the lever between the front grille and the hood toward the left.
4. Lift up the hood.

To close the hood:

1. Lower the hood to a height of approximately 5.9 in (15 cm) above its closed position and then let it drop.
2. After closing the hood, be sure the hood is securely locked.

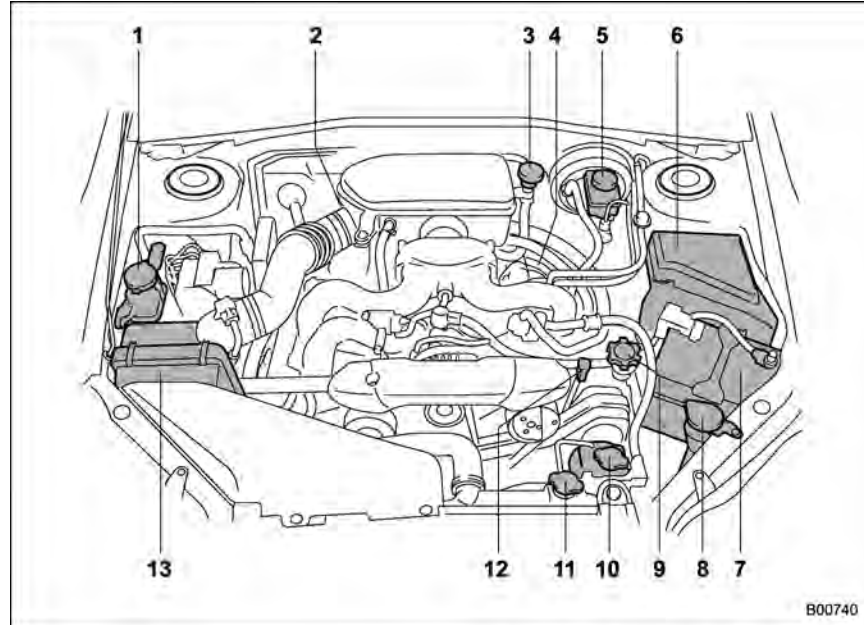
If this does not close the hood, release it from a slightly higher position. Do not push the hood forcibly to close it. It could deform the metal.

WARNING

Always check that the hood is properly locked before you start driving. If it is not, it might fly open while the vehicle is moving and block your view, which may cause an accident and serious bodily injury.

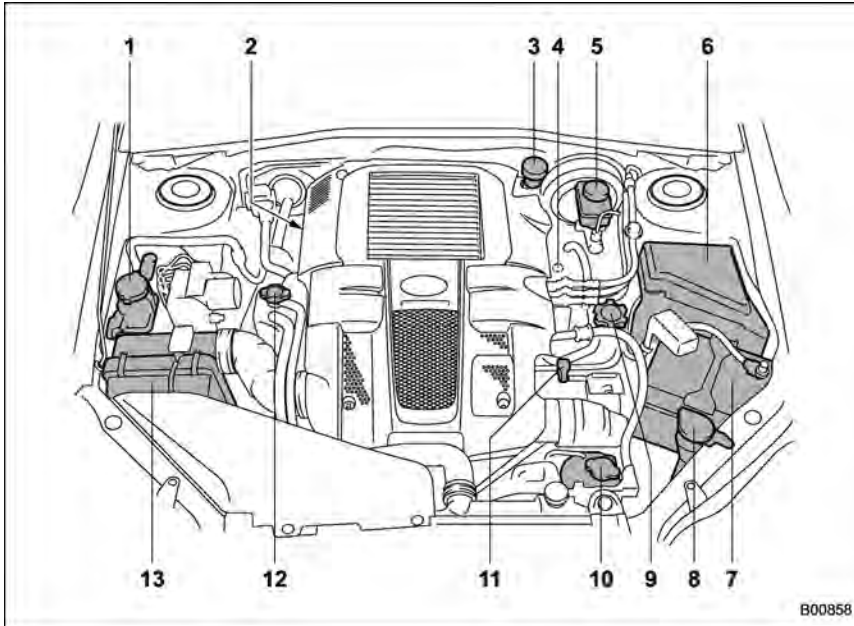
Engine compartment overview

■ Non-turbo models



- 1) Power steering fluid reservoir (page 11-24)
- 2) Manual transmission oil level gauge (MT) (page 11-19) or Differential gear oil level gauge (AT) (page 11-21)
- 3) Clutch fluid reservoir (page 11-26)
- 4) Automatic transmission fluid level gauge (page 11-20)
- 5) Brake fluid reservoir (page 11-25)
- 6) Fuse box (page 11-45)
- 7) Battery (page 11-44)
- 8) Windshield washer tank (page 11-39)
- 9) Engine oil filler cap (page 11-8)
- 10) Engine coolant reservoir (page 11-13)
- 11) Radiator cap (page 11-13)
- 12) Engine oil level gauge (page 11-8)
- 13) Air cleaner element (page 11-15)

■ Turbo models



- 1) Power steering fluid reservoir (page 11-24)
- 2) Manual transmission oil level gauge (MT) (page 11-19) or Differential gear oil level gauge (AT) (page 11-21)
- 3) Clutch fluid reservoir (page 11-26)
- 4) Automatic transmission fluid level gauge (page 11-20)
- 5) Brake fluid reservoir (page 11-25)
- 6) Fuse box (page 11-45)
- 7) Battery (page 11-44)
- 8) Windshield washer tank (page 11-39)
- 9) Engine oil filler cap (page 11-8)
- 10) Engine coolant reservoir (page 11-13)
- 11) Engine oil level gauge (page 11-8)
- 12) Radiator cap (page 11-13)
- 13) Air cleaner element (page 11-15)

B00858

Engine oil

NOTE

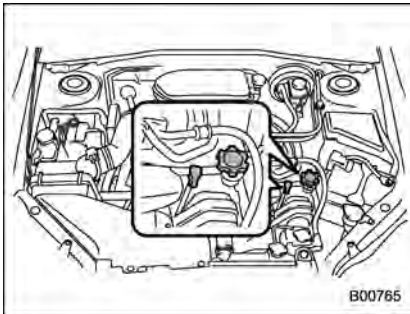
• The engine oil consumption rate is not stabilized, and therefore cannot be determined until the vehicle has traveled at least several thousand miles (kilometers). Even after break-in, when the vehicle is used under severe driving conditions such as those mentioned in the Warranty and Maintenance Booklet, engine oil is consumed or deteriorated more quickly than under normal driving conditions. If you drive your vehicle under these severe conditions, you should check the oil level at least at every second fuel fill-up time, and change the oil more frequently. Please refer to the Warranty and Maintenance Booklet for more details.

• If the oil consumption rate seems abnormally high after the break-in period, for example more than 1 quart per 1,200 miles or 1 liter per 2,000 kilometers, contact your SUBARU dealer.

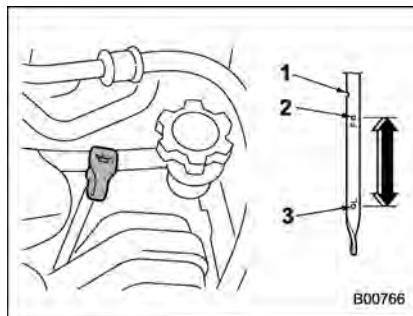
■ Checking the oil level

Check the engine oil level at each fuel stop.

1. Park the vehicle on a level surface and stop the engine.



2. Pull out the level gauge that has the "OIL" symbol on top, wipe it clean, and insert it again.
3. Be sure the level gauge is correctly inserted until it stops.



- 1) Notch
- 2) Upper level
- 3) Lower level

4. Pull out the level gauge again and check the oil level on it. If it is below the lower level, add oil to bring the level up to the upper level.

⚠ CAUTION

- Use only engine oil with the recommended grade and viscosity.
- Be careful not to spill engine oil when adding it. If oil touches the exhaust pipe, it may cause a bad smell, smoke, and/or a fire. If engine oil gets on the exhaust

pipe, be sure to wipe it off.

If you check the oil level just after stopping the engine, wait a few minutes for the oil to drain back into the oil pan before checking the level.

Just after driving or while the engine is warm, the engine oil level reading may be in a range between the upper level and the notch mark. This is caused by thermal expansion of the engine oil.

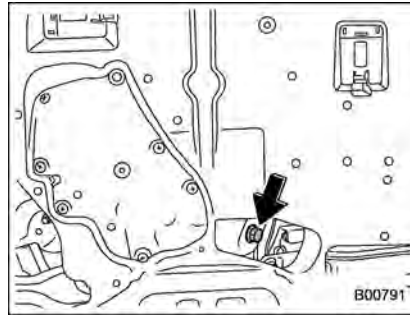
To prevent overfilling the engine oil, do not add any additional oil above the upper level when the engine is cold.

■ Changing the oil and oil filter

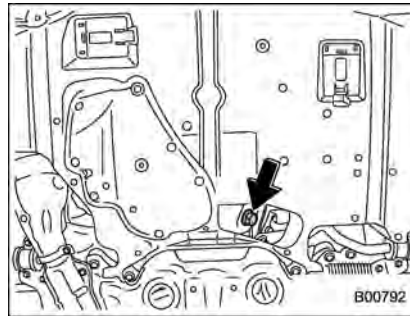
Change the oil and oil filter according to the maintenance schedule in the "Warranty and Maintenance Booklet".

The engine oil and oil filter must be changed more frequently than listed in the maintenance schedule when driving on dusty roads, when short trips are frequently made, or when driving in extremely cold weather.

1. Warm up the engine by letting the engine idle for approximately 10 minutes to ease draining the engine oil.
2. Park the vehicle on a level surface and stop the engine.
3. Remove the oil filler cap.



Turbo models



Non-turbo models

4. Drain out the engine oil by removing the drain plug while the engine is still warm. The used oil should be drained into an appropriate container and disposed of

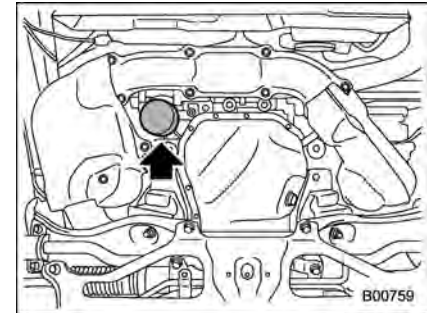
properly.



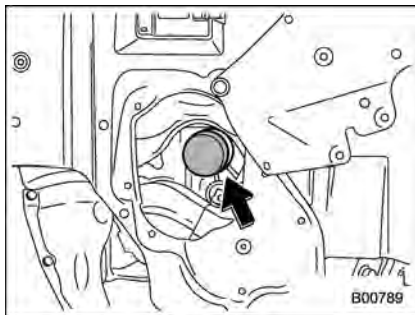
WARNING

Be careful not to burn yourself with hot engine oil.

5. Wipe the seating surface of the drain plug with a clean cloth and tighten it securely with a new sealing washer after the oil has completely drained out.
6. Remove the under cover.



Non-turbo models



Turbo models

7. Remove the oil filter with an oil filter wrench.
8. Before installing a new oil filter, apply a thin coat of engine oil to the seal.
9. Clean the rubber seal seating area of the bottom of engine and install the oil filter by hand turning. Be careful not to twist or damage the seal.
10. Tighten the oil filter by the amount indicated in the following table after the seal makes contact with the bottom of engine.

Oil filter color	Part number	Amount of rotation
Black	15208AA100	1 rotation
Blue	15208AA12A	7/8 rotation

CAUTION

- **Never over tighten the oil filter because that can result in an oil leak.**
- **Thoroughly wipe off any engine oil that has spilled over the exhaust pipe and/or under-cover. If spilled oil is not promptly wiped up, the oil could cause a fire.**

11. Reinstall under cover.
12. Pour engine oil through the filler neck.

Oil capacity (guideline):

4.2 US qt (4.0 liters, 3.5 Imp qt)

The oil quantity indicated above is only guideline.

The necessary quantity of oil depends on the quantity of oil that has been drained. The quantity of drained oil differs slightly depending on the temperature of the oil

and the time the oil is left flowing out. After refilling the engine with oil, therefore, you must use the level gauge to confirm that the level is correct.

13. Start the engine and make sure that no oil leaks appear around the filter's rubber seal and drain plug.

14. Run the engine until it reaches the normal operating temperature. Then stop the engine and wait a few minutes to allow the oil drain back. Check the oil level again and if necessary, add more engine oil.

CAUTION

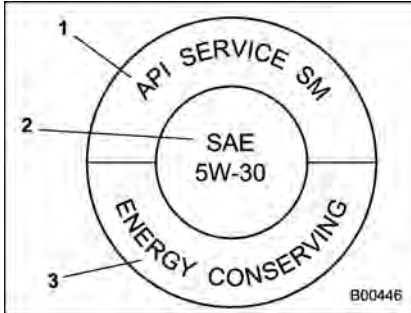
Be careful not to spill engine oil when adding it. If oil touches the exhaust pipe, it may cause a bad smell, smoke, and/or a fire.

■ Recommended grade and viscosity

Oil grade:

ILSAC GF-4, which can be identified with the ILSAC certification mark (Starburst mark)
or API classification SM with the words "ENERGY CONSERVING"

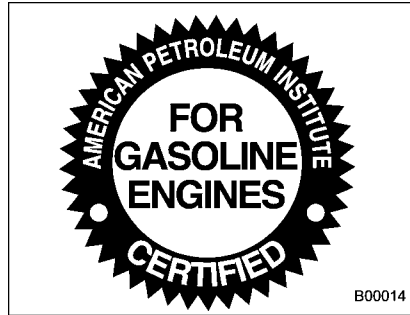
These recommended oil grades can be identified by looking for either or both of the following marks displayed on the oil container.



API Service label

- 1) Indicates the oil quality by API designations
- 2) Indicates the SAE oil viscosity grade
- 3) Indicates that the oil has fuel saving

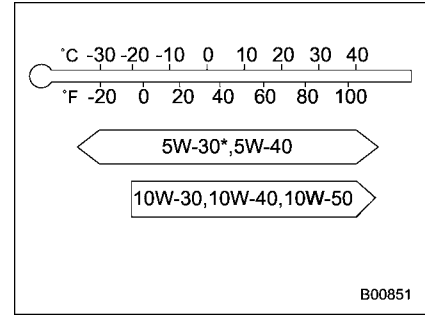
capabilities



ILSAC Certification Mark (Starburst Mark)

In choosing an oil, you want the proper quality and viscosity, as well as one that will add to fuel economy. The following table lists the recommended viscosities and applicable temperatures.

When adding oil, different brands may be used together as long as they are the same API classification and SAE viscosity as those recommended by SUBARU.



SAE viscosity No. and applicable temperature

*: 5W-30 is preferred.

Engine oil viscosity (thickness) affects fuel economy. Oils of lower viscosity provide better fuel economy. However, in hot weather, oil of higher viscosity is required to properly lubricate the engine.

CAUTION

Use only engine oil with the recommended grade and viscosity.

■ Recommended grade and viscosity under severe driving conditions

If the vehicle is used in desert areas, in areas with very high temperatures, or is used for heavy-duty applications, use of oil with the following grade and viscosities is recommended.

API classification SM (or SL):

SAE viscosity No.: 30, 40, 10W-50,
20W-40, 20W-50

■ Synthetic oil

You can use synthetic engine oil that meets the same requirements given for conventional engine oil. When using synthetic oil, you must use oil of the same classification, viscosity and grade shown in this Owner's Manual, and must follow the oil and filter changing intervals shown in the maintenance schedule.

Cooling system



WARNING

Never attempt to remove the radiator cap until the engine has been shut off and has cooled down completely. Since the coolant is under pressure, you may suffer serious burns from a spray of boiling hot coolant when the cap is removed.



CAUTION

- Vehicles are filled at the factory with SUBARU Super Coolant that does not require the first change for 11 years/137,500 miles (11 years/220,000 km). This coolant should not be mixed with any other brand or type of coolant during this period. Mixing with a different coolant will reduce the life of the coolant. Should it be necessary to top up the coolant for any reason, use only SUBARU Super Coolant.

If the SUBARU Super Coolant is diluted with another brand or type, the maintenance interval is

shortened to that of the mixing coolant.

- Do not splash the engine coolant over painted parts. The alcohol contained in the engine coolant may damage the paint surface.

■ Cooling fan, hose and connections

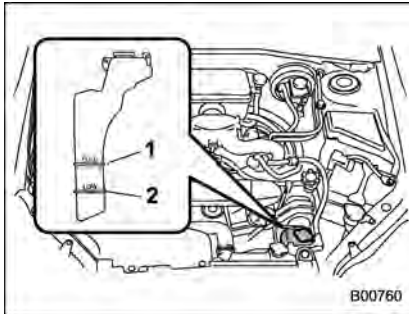
Your vehicle employs an electric cooling fan which is thermostatically controlled to operate when the engine coolant reaches a specific temperature.

If the radiator cooling fan does not operate even when the coolant temperature high warning light blinks or illuminates in RED, the cooling fan circuit may be defective. Check the fuse and replace it if necessary. If the fuse is not blown, have the cooling system checked by your SUBARU dealer.

If frequent addition of coolant is necessary, there may be a leak in the engine cooling system. It is recommended that the cooling system and connections be checked for leaks, damage, or looseness.

■ Engine coolant

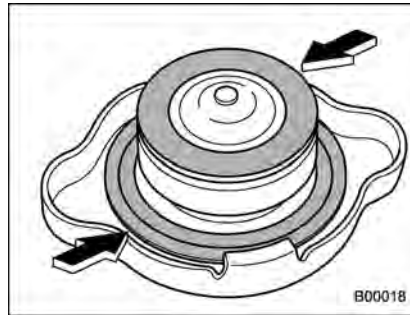
▼ Checking the coolant level



- 1) "FULL" level mark
- 2) "LOW" level mark

Check the coolant level at each fuel stop.

1. Check the coolant level on the outside of the reservoir while the engine is cool.
2. If the level is close to or lower than the "LOW" level mark, add coolant up to the "FULL" level mark. If the reserve tank is empty, remove the radiator cap and refill as required.



3. After refilling the reserve tank and the radiator, reinstall the caps and check that the rubber gaskets inside the radiator cap are in the proper position.

▲ CAUTION

- **Be careful not to spill engine coolant when adding it. If coolant touches the exhaust pipe, it may cause a bad smell, smoke, and/or a fire. If engine coolant gets on the exhaust pipe, be sure to wipe it off.**
- **Do not splash the engine coolant over painted parts. The alcohol contained in the engine coolant may damage the paint surface.**

▼ Changing the coolant

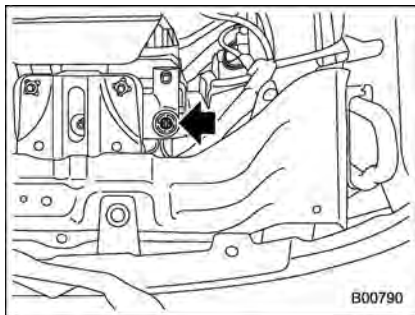
▲ WARNING

Never attempt to remove the radiator cap until the engine has been shut off and has cooled down completely. Since the coolant is under pressure, you may suffer serious burns from a spray of boiling hot coolant when the cap is removed.

Always add genuine SUBARU cooling system conditioner whenever the coolant is replaced.

Change the engine coolant and add genuine SUBARU cooling system conditioner using the following procedures according to the maintenance schedule.

1. Remove the under cover.

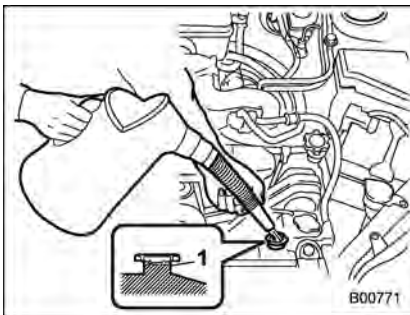


2. Place a proper container under the drain plug and loosen the drain plug.
3. Loosen the radiator cap to drain the coolant from the radiator. Then drain the coolant from the reserve tank. Tighten the drain plug securely.

NOTE (turbo models only)

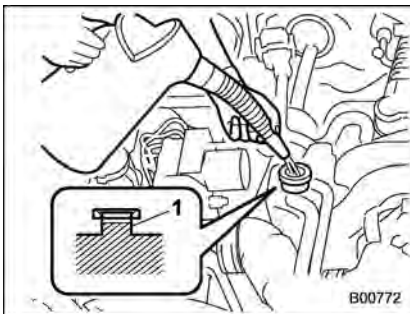
The cap (without tabs) on top of the radiator does not need to be removed. To add coolant, remove the cap (with tabs) on the coolant tank on top of the engine.

4. Install the under cover.



Non-turbo models

- 1) Fill up to this level



Turbo models

- 1) Fill up to this level

5. Slowly pour the coolant and fill up to just below the filler neck, allowing enough

room to add genuine SUBARU cooling system conditioner in the radiator. Add genuine SUBARU cooling system conditioner until the coolant level reaches the filler neck. Do not pour the coolant too quickly, as this may lead to insufficient air bleeding and trapped air in the system.

Guideline of coolant quantity (including coolant in reservoir tank):

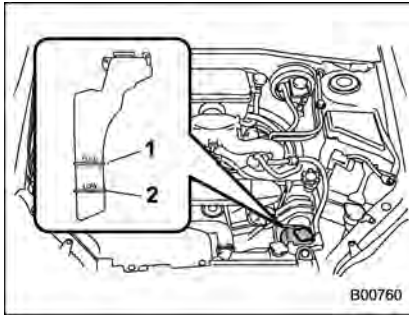
Non-turbo models:

MT: 7.2 US qt (6.8 liters, 6.0 Imp qt)

AT: 7.1 US qt (6.7 liters, 5.9 Imp qt)

Turbo models:

8.5 US qt (8.0 liters, 7.0 Imp qt)

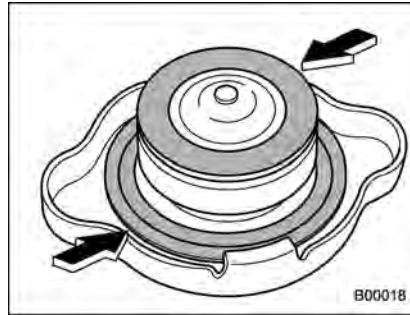


- 1) "FULL" level mark
- 2) "LOW" level mark

CAUTION

- **Be careful not to spill engine coolant when adding it. If coolant touches the exhaust pipe, it may cause a bad smell, smoke, and/or a fire. If engine coolant gets on the exhaust pipe, be sure to wipe it off.**
- **Do not splash the engine coolant over painted parts. The alcohol contained in the engine coolant may damage the paint surface.**

6. Pour the coolant and fill to the reservoir tank's "FULL" level mark.



7. Put the radiator cap back on and tighten firmly. At this time, make sure that the rubber gasket in the radiator cap is correctly in place.

8. Start and race the engine at 2,000 to 3,000 rpm for 5 to 6 times within 40 seconds.

9. Stop the engine and wait until the coolant cools down (122 to 140°F [50 to 60°C]). If there is any loss of coolant, add coolant to the radiator's filler neck and to the reserve tank's "FULL" level.

10. Put the radiator cap and reservoir cap back on and tighten firmly.

Air cleaner element

WARNING

Do not operate the engine with the air cleaner element removed. The air cleaner element not only filters intake air but also stops flames if the engine backfires. If the air cleaner element is not installed when the engine backfires, you could be burned.

CAUTION

When replacing the air cleaner element, use a genuine SUBARU air cleaner element. If it is not used, there is the possibility of causing a negative effect to the engine.

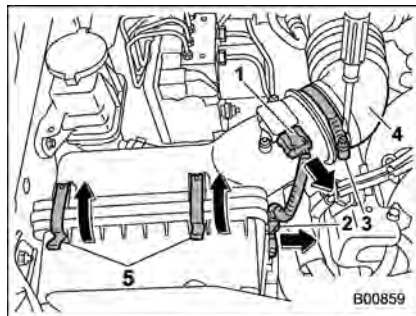
The air cleaner element functions as a filter screen. When the element is perforated or removed, engine wear will be excessive and engine life shortened.

The air cleaner element is a dry type. It is unnecessary to clean or wash the element.

■ Replacing the air cleaner element

Replace the air cleaner element according to the maintenance schedule in the "Warranty and Maintenance Booklet". Under extremely dusty conditions, replace it more frequently. It is recommended that you always use genuine SUBARU parts.

▼ Non-turbo models



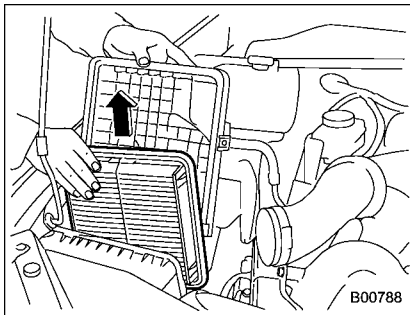
- 1) Connector
- 2) Clip
- 3) Clamp
- 4) Air intake boot
- 5) Clip

1. Unplug the connector that is attached to the top of the air cleaner case.
2. Detach the connector cable from the clip on the right side on the air cleaner

case.

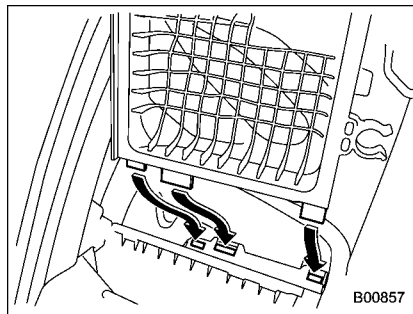
3. Loosen the screw of the clamp and pull the air intake boot out of the air cleaner case.

4. Unsnap the two clips holding the air cleaner case cover.



5. Open the air cleaner case cover and remove the air cleaner element.

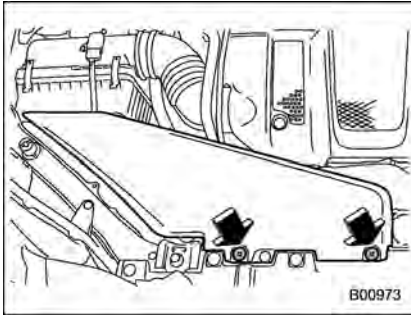
6. Clean the inside of the air cleaner case and case cover with a damp cloth and install a new air cleaner element.



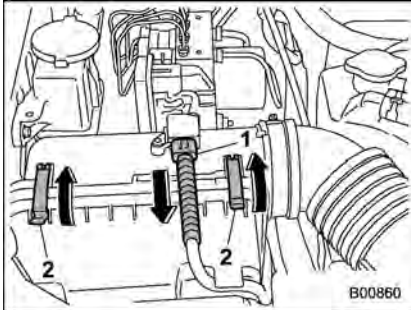
7. To install the air cleaner case cover, insert the three projections on the air cleaner case cover into the slits on the air cleaner case.

8. Install in the reverse order of removal.

▼ Turbo models

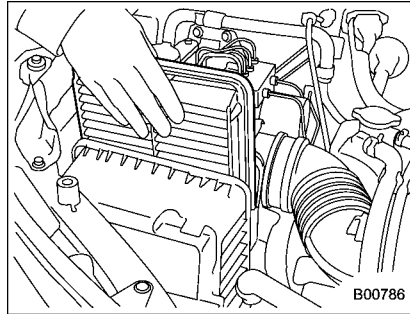


1. Use a screwdriver to undo the clips on the air intake duct, then remove the air intake duct.

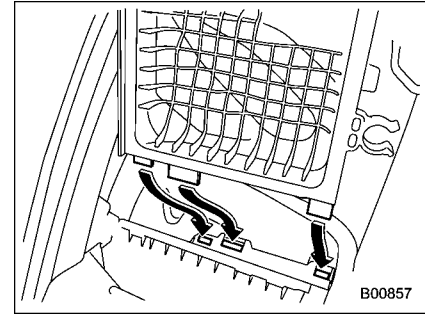


- 1) Connector
- 2) Clip

2. Unplug the connector that is attached to the top of the air cleaner case.
3. Unsnap the two clips holding the air cleaner case cover.

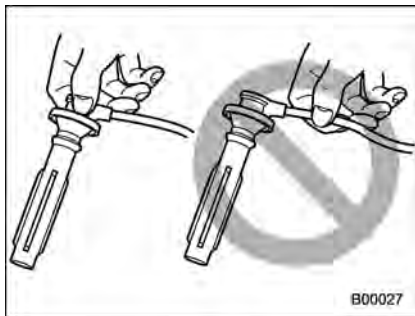


4. Open the air cleaner case cover and remove the air cleaner element.
5. Clean the inside of the air cleaner case and case cover with a damp cloth and install a new air cleaner element.



6. If the air cleaner case cover has been removed, insert the three projections on the air cleaner case cover into the slits on the air cleaner case.
7. Install in the reverse order of removal.

Spark plugs



It may be difficult to replace the spark plugs. It is recommended that you have the spark plugs replaced by your SUBARU dealer.

The spark plugs should be replaced according to the maintenance schedule in the "Warranty and Maintenance Booklet".

CAUTION

- When disconnecting the spark plug cables, always grasp the spark plug cap, not the cables.
- Make sure the cables are replaced in the correct order.

Recommended spark plugs

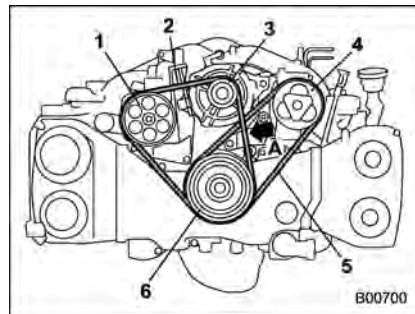
Non-turbo models:

FR5AP-11 (NGK)

Turbo models:

SILFR6A (NGK)

Drive belts



- 1) Power steering oil pump pulley
 - 2) Front side belt
 - 3) Alternator pulley
 - 4) Air conditioner compressor pulley
 - 5) Rear side belt
 - 6) Crank pulley
- A) 22 lbf (98 N, 10 kgf)

CAUTION

The front side belt, which runs in conjunction with the following components, must be used within the specified deflection.

- Power steering oil pump pulley
- Alternator pulley
- Crank pulley

Check the deflection of the front side belt and if there is any looseness, cracks, wear or unusual noise on the front side belt, contact your SUBARU dealer.

Continuing to use the vehicle with the belt outside of the specification may cause the engine to malfunction and the above components to malfunction.

To check the deflection of the front side belt, place a straightedge (ruler) across two adjacent pulleys (alternator pulley and crank pulley) and apply a force of 22 lbf (98 N, 10 kgf) midway between the pulleys by using a spring scale. The belt deflection should be the amount specified. If the front side belt is loose, cracked or worn, contact your SUBARU dealer.

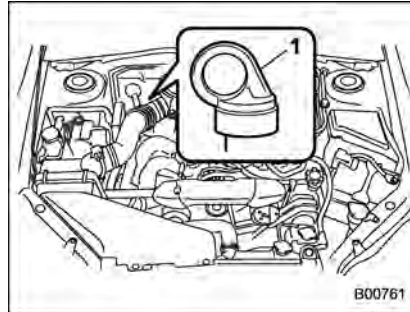
in (mm)

	Deflection	
	New belt	Used belt
A	0.28 – 0.35 (7.0 – 9.0)	0.35 – 0.43 (9.0 – 11.0)

The rear side belt is a stretch-type belt, therefore the deflection does not need to be checked. If there are cracks or wear confirmed on the belts and a squeaking sound is heard from them, contact your SUBARU dealer.

Manual transmission oil

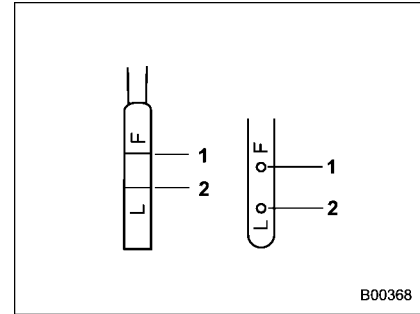
■ Checking the oil level



- 1) Yellow handle

Check the oil level monthly.

1. Park the vehicle on a level surface and stop the engine.
2. Pull out the level gauge, wipe it clean, and insert it again.



B00368

- 1) Upper level
- 2) Lower level

3. Pull out the level gauge again and check the oil level on it. If it is below the lower level, add oil through the level gauge hole to bring the level up to the upper level.



CAUTION

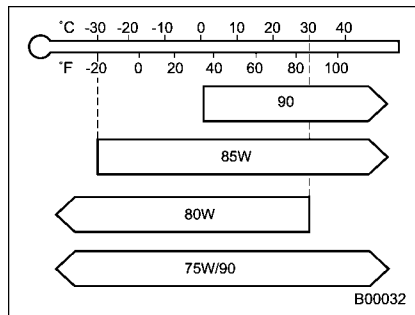
Be careful not to spill manual transmission oil when adding it. If oil touches the exhaust pipe, it may cause a bad smell, smoke, and/or a fire. If oil gets on the exhaust pipe, be sure to wipe it off.

Recommended grade and viscosity

Each oil manufacturer has its own base oils and additives. Never use different brands together.

Oil grade:

API classification GL-5



SAE viscosity No. and applicable temperature

Automatic transmission fluid

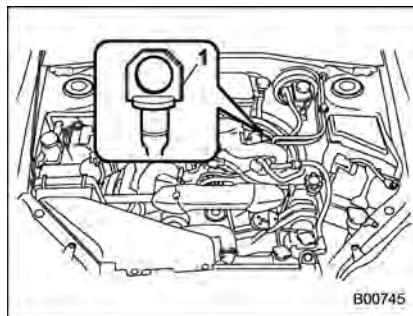
Checking the fluid level

The automatic transmission fluid expands largely as its temperature rises; the fluid level differs according to fluid temperature. Therefore, there are two different scales for checking the level of hot fluid and cold fluid on the level gauge.

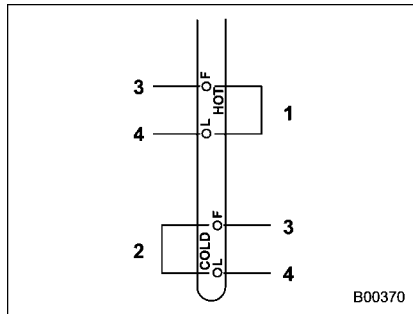
Though the fluid level can be checked without warming up the fluid on the "COLD" range, it is recommended to check the fluid level when the fluid is at operating temperature.

Checking the fluid level when the fluid is hot

1. Drive the vehicle several miles to raise the temperature of the transmission fluid up to normal operating temperature; 158 to 176°F (70 to 80°C) is normal.
2. Park the vehicle on a level surface and set the parking brake.
3. First shift the selector lever in each position. Then shift it in the "P" position, and run the engine at idling speed.



1) Yellow handle



- 1) HOT range
- 2) COLD range
- 3) Upper level
- 4) Lower level

4. Pull out the level gauge and check the fluid level on the gauge. If it is below the lower level on the "HOT" range, add the recommended automatic transmission fluid up to the upper level.

▼ **Checking the fluid level when the fluid is cold**

When the fluid level has to be checked without time to warm up the automatic transmission, check to see that the fluid level is between the lower level and upper level on the "COLD" range. If it is below that range, add fluid up to the upper level. Be careful not to overfill.

CAUTION

Be careful not to spill automatic transmission fluid when adding it. If automatic transmission fluid touches the exhaust pipe, it may cause a bad smell, smoke, and/or a fire. If automatic transmission fluid gets on the exhaust pipe, be sure to wipe it off.

■ **Recommended fluid**

Use one of the following types of automatic transmission fluid.

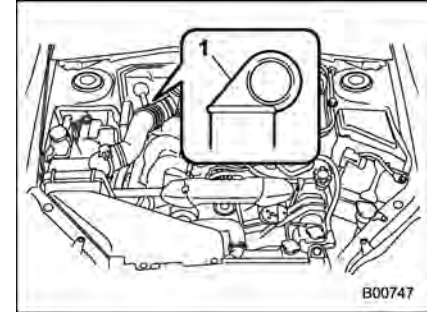
SUBARU ATF
IDEMITSU ATF HP

NOTE

Using any non-specified type of automatic transmission fluid could result in damage inside the transmission. When replacing the automatic transmission fluid, be sure to use the kind specified.

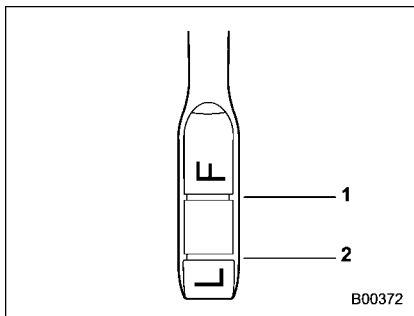
Front differential gear oil (AT models)

■ **Checking the oil level**



1) Yellow handle

1. Park the vehicle on a level surface and stop the engine.
2. Pull out the level gauge, wipe it clean, and insert it again.



- 1) Upper level
- 2) Lower level

3. Pull out the level gauge again and check the oil level on it. If it is below the lower level, add oil to bring the level up to the upper level.

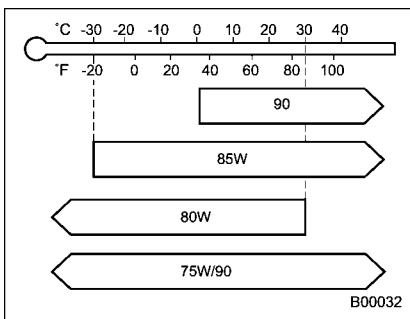
CAUTION

Be careful not to spill front differential gear oil when adding it. If oil touches the exhaust pipe, it may cause a bad smell, smoke, and/or a fire. If oil gets on the exhaust pipe, be sure to wipe it off.

Recommended grade and viscosity

Each oil manufacturer has its own base oils and additives. Never use different brands together.

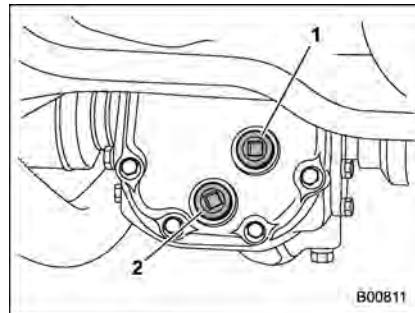
Oil grade:
API classification GL-5



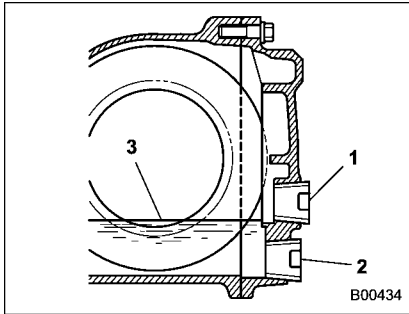
SAE viscosity No. and applicable temperature

Rear differential gear oil

Checking the gear oil level



- 1) Filler plug
- 2) Drain plug



- 1) Filler hole
- 2) Drain hole
- 3) Oil level

Remove the plug from the filler hole and check the oil level. The oil level should be kept even with the bottom of the filler hole. If the oil level is below the bottom edge of the hole, add oil through the filler hole to raise the level.

CAUTION

- Be careful not to spill rear differential gear oil when adding it. If rear differential gear oil touches the exhaust pipe, it may cause a bad smell, smoke, and/or a fire. If rear differential gear oil gets on the exhaust pipe, be sure to wipe

it off.

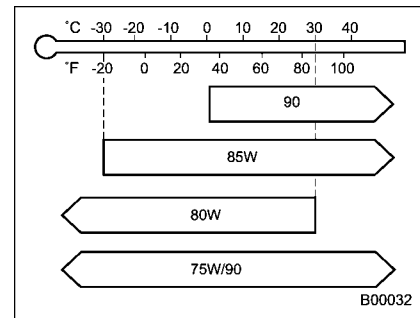
- If the vehicle requires frequent refilling, there may be an oil leak. If you suspect a problem, have the vehicle checked at your SUBARU dealer.

Recommended grade and viscosity

Each oil manufacturer has its own base oils and additives. Never use different brands together.

Oil grade:

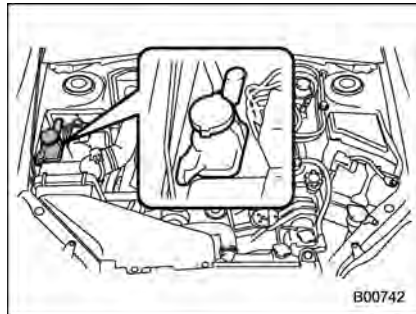
API classification GL-5



SAE viscosity No. and applicable temperature

Power steering fluid

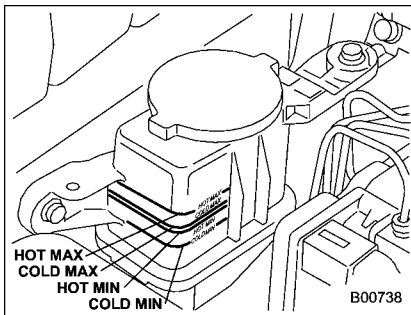
■ Checking the fluid level



The power steering fluid expands greatly as its temperature rises; the fluid level differs according to fluid temperature. Therefore, the reservoir tank has two different checking ranges for hot and cold fluids.

Check the power steering fluid level monthly.

1. Park the vehicle on a level surface, and stop the engine.



2. Check the fluid level of the reservoir tank.

When the fluid is hot after the vehicle has been run: Check that the oil level is between "HOT MIN" and "HOT MAX" on the surface of the reservoir tank.

When the fluid is cool before the vehicle is run: Check that the oil level is between "COLD MIN" and "COLD MAX" on the surface of the reservoir tank.

3. If the fluid level is lower than the applicable "MIN" line, add the recommended fluid as necessary to bring the level between the "MIN" and "MAX" line.

If the fluid level is extremely low, it may indicate possible leakage. Consult your SUBARU dealer for an inspection.

⚠ WARNING

Be careful not to burn yourself because the fluid may be hot.

⚠ CAUTION

- When power steering fluid is being added, use only clean fluid, and be careful not to allow any dirt into the tank. And never use different brands together.
- Avoid spilling fluid when adding it in the tank.
- Be careful not to spill power steering fluid when adding it. If power steering fluid touches the exhaust pipe, it may cause a bad smell, smoke, and/or a fire. If power steering fluid gets on the exhaust pipe, be sure to wipe it off.

■ Recommended fluid

Use one of the following types of automatic transmission fluid.

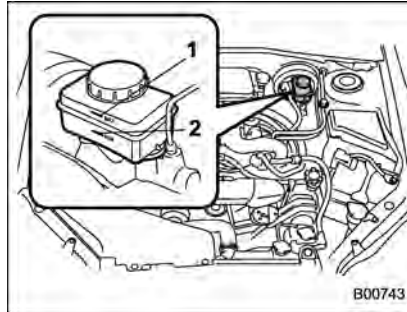
SUBARU ATF

IDEMITSU ATF HP

"Dexron III" Type Automatic Transmission Fluid

Brake fluid

■ Checking the fluid level



- 1) "MAX" level mark
- 2) "MIN" level mark

Check the fluid level monthly.

Check the fluid level on the outside of the reservoir. If the level is below "MIN", add the recommended brake fluid to "MAX".

Use only brake fluid from a sealed container.

WARNING

- Never let brake fluid contact your eyes because brake fluid can be harmful to your eyes. If brake fluid gets in your eyes, immediately flush them thoroughly with

clean water. For safety, when performing this work, wearing eye protection is advisable.

- Brake fluid absorbs moisture from the air. Any absorbed moisture can cause a dangerous loss of braking performance.
- If the vehicle requires frequent refilling, there may be a leak. If you suspect a problem, have the vehicle checked at your SUBARU dealer.

CAUTION

- When adding brake fluid, be careful not to allow any dirt into the reservoir.
- Never splash the brake fluid over painted surfaces or rubber parts. Alcohol contained in the brake fluid may damage them.
- Be careful not to spill brake fluid when adding it. If brake fluid touches the exhaust pipe, it may cause a bad smell, smoke, and/or a fire. If brake fluid gets on the exhaust pipe, be sure to wipe it off.

■ Recommended brake fluid

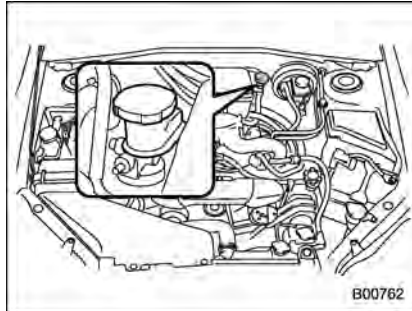
FMVSS No. 116, fresh DOT 3 or DOT 4 brake fluid

⚠ CAUTION

Never use different brands of brake fluid together. Also, avoid mixing DOT 3 and DOT 4 brake fluids even if they are the same brand.

Clutch fluid (MT models)

■ Checking the fluid level



Check the fluid level on the outside of the reservoir. If the level is below "MIN" level mark, add the recommended clutch fluid to "MAX" level mark.

Use only clutch fluid from a sealed container.

⚠ WARNING

Never let clutch fluid contact your eyes because clutch fluid can be harmful to your eyes. If clutch fluid gets in your eyes, immediately flush them thoroughly with clean water. For safety, when performing this work, wearing eye protection is

advisable.

⚠ CAUTION

- Clutch fluid absorbs moisture from the air. Any absorbed moisture can cause improper clutch operation.
- If the vehicle requires frequent refilling, there may be a leak. If you suspect a problem, have the vehicle checked at your SUBARU dealer.
- Never use different brands of clutch fluid together.
- When clutch fluid is added, be careful not to allow any dirt into the tank.
- Never splash the clutch fluid over painted surfaces or rubber parts. Alcohol contained in the clutch fluid may damage them.
- Be careful not to spill clutch fluid when adding it. If clutch fluid touches the exhaust pipe, it may cause a bad smell, smoke, and/or a fire. If clutch fluid gets on the exhaust pipe, be sure to wipe it off.

■ Recommended clutch fluid

FMVSS No. 116, fresh DOT 3 or DOT 4 brake fluid



CAUTION

Never use different brands of clutch fluid together. Also, avoid mixing DOT 3 and DOT 4 brake fluids even if they are the same brand.

Brake booster

If the brake booster does not operate as described in the following, have it checked by your SUBARU dealer.

1. With the engine off, depress the brake pedal several times, applying the same pedal force each time. The distance the pedal travels should not vary.
2. With the brake pedal depressed, start the engine. The pedal should move slightly down to the floor.
3. With the brake pedal depressed, stop the engine and keep the pedal depressed for 30 seconds. The pedal height should not change.
4. Start the engine again and run for approximately 1 minute then turn it off. Depress the brake pedal several times to check the brake booster. The brake booster operates properly if the pedal stroke decreases with each depression.

NOTE

For vehicles equipped with the brake assist system, when you depress the brake pedal strongly or suddenly, the following phenomena occur. However, even though these occur, they do not indicate any malfunctions, and the brake assist system is operating prop-

erly.

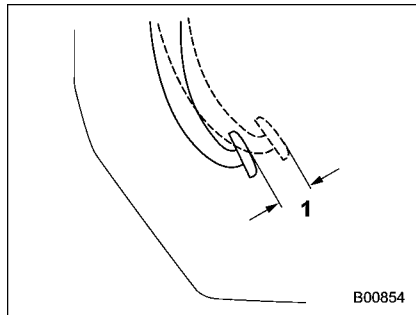
- You might feel that the brake pedal is applied by lighter force and generates a greater braking force.
- You might hear clicking (knocking) sounds around brake pedal.

Brake assist is not a system that brings more braking ability to the vehicle beyond its breaking capability.

Brake pedal

Check the brake pedal free play and reserve distance according to the maintenance schedule in the "Warranty and Maintenance Booklet".

■ Checking the brake pedal free play

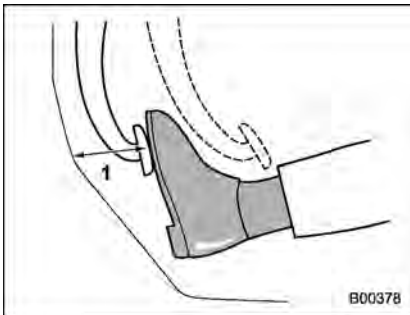


- 1) 0.02 – 0.08 in (0.5 – 2.0 mm)

Stop the engine and firmly depress the brake pedal several times. Lightly pull the brake pedal up with one finger to check the free play with a force of less than 2 lbf (10 N, 1 kgf).

If the free play is not within proper specification, contact your SUBARU dealer.

■ Checking the brake pedal reserve distance



- 1) More than 2.56 in (65 mm)

Depress the pedal with a force of approximately 66 lbf (294 N, 30 kgf) and measure the distance between the upper surface of the pedal pad and the floor.

When the measurement is smaller than the specification, or when the pedal does not operate smoothly, contact with your SUBARU dealer.

Clutch pedal (MT models)

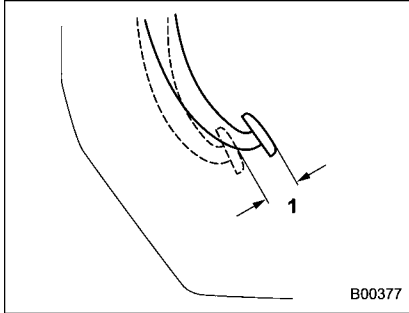
Check the clutch pedal free play and reserve distance according to the maintenance schedule in the "Warranty and Maintenance Booklet".

■ Checking the clutch function

Check the clutch engagement and disengagement.

1. With the engine idling, check that there are no abnormal noises when the clutch pedal is depressed, and that shifting into 1st or reverse feels smooth.
2. Start the vehicle by releasing the pedal slowly to check that the engine and transmission smoothly couple without any sign of slippage.

■ Checking the clutch pedal free play



1) 0.16 – 0.51 in (4.0 – 13.0 mm)

Lightly press the clutch pedal down with your finger until you feel resistance, and check the free play.

If the free play is not within proper specification, contact your SUBARU dealer.

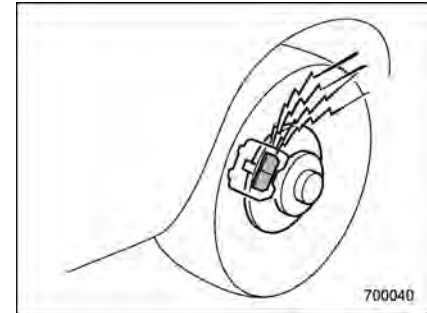
Hill start assist system (MT models)

Ensure that the Hill start assist system operates properly under the following circumstances:

1. Stop the vehicle on an uphill grade by depressing the brake pedal and clutch pedal, with the engine running.
2. Make sure that the vehicle does not move backward even after the brake pedal is released.
3. Then make sure the vehicle starts climbing the grade by following the normal starting procedures.

If the Hill start assist system does not operate as described above, contact with your SUBARU dealer.

Replacement of brake pad and lining



The right front disc brake and the right rear brake have audible wear indicators on the brake pads. If the brake pads wear close to their service limit, the wear indicator makes a very audible scraping noise when the brake pedal is applied.

If you hear this scraping noise each time you apply the brake pedal, have the brake pads serviced by your SUBARU dealer as soon as possible.



CAUTION

If you continue to drive despite the scraping noise from the audible brake pad wear indicator, it will

result in the need for costly brake rotor repair or replacement.

■ Breaking-in of new brake pads and linings

When replacing the brake pad or lining, use only genuine SUBARU parts. After replacement, the new parts must be broken in as follows.

▼ Brake pad and lining

While maintaining a speed of 30 to 40 mph (50 to 65 km/h), step on the brake pedal lightly. Repeat this five or more times.

▼ Parking brake lining

1. Drive the vehicle at a speed of approximately 22 mph (35 km/h).
2. With the parking brake release button pushed in, pull the parking brake lever SLOWLY and GENTLY (pulling with a force of approximately 33 lbf [147 N, 15 kgf]).
3. Drive the vehicle for approximately 220 yards (200 meters) in this condition.
4. Wait 5 to 10 minutes for the parking brake to cool down. Repeat this procedure.
5. Check the parking brake stroke. If the parking brake stroke is out of the specified

range, adjust it by turning the adjusting nut located on the parking brake lever.

Parking brake stroke:

7 – 8 notches / 45 lbf (200 N, 20.4 kgf)



WARNING

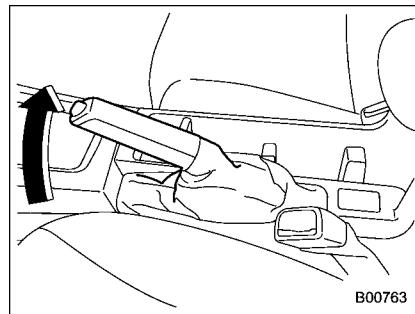
A safe location and situation should be selected for break-in driving.



CAUTION

Pulling the parking brake lever too forcefully may cause the rear wheels to lock. To avoid this, be certain to pull the lever up slowly and gently.

Parking brake stroke



Check the parking brake stroke according to the maintenance schedule in the "Warranty and Maintenance Booklet". When the parking brake is properly adjusted, braking power is fully applied by pulling the lever up 7 to 8 notches gently but firmly (approximately 45 lbf [200 N, 20.4 kgf]). If the parking brake lever stroke is not within the specified range, have the brake system checked and adjusted at your SUBARU dealer.

Tires and wheels

■ Types of tires

You should be familiar with type of tires present on your vehicle.

The factory-fitted tires are all-season tires.

▼ All season tires

All season tires are designed to provide an adequate measure of traction, handling and braking performance in year-round driving including snowy and icy road conditions. However all season tires do not offer as much traction performance as winter (snow) tires in heavy or loose snow or on icy roads.

All season tires are identified by "ALL SEASON" and/or "M+S" (Mud & Snow) on the tire sidewall.

▼ Summer tires

Summer tires are high-speed capability tires best suited for highway driving under dry conditions.

Summer tires are inadequate for driving on slippery roads such as on snow-covered or icy roads.

If you drive your vehicle on snow-covered or icy roads, we strongly recommend the use of winter (snow) tires.

When installing winter tires, be sure to replace all four tires.

▼ Winter (snow) tires

Winter tires are best suited for driving on snow-covered and icy roads. However winter tires do not perform as well as summer tires and all season tires on roads other than snow-covered and icy roads.

■ Tire pressure monitoring system (TPMS) (U.S.-spec. models)

The tire pressure monitoring system provides the driver with a warning message by sending a signal from a sensor that is installed in each wheel when tire pressure is severely low. The tire pressure monitoring system will activate only when the vehicle is driven. Also, this system may not react immediately to a sudden drop in tire pressure (for example, a blow-out caused by running over a sharp object).

If you adjust the tire pressures in a warm garage and will then drive the vehicle in cold outside air, the resulting drop in tire pressures may cause the low tire pressure warning light to illuminate. To avoid this problem when adjusting the tire pressures in a warm garage, inflate the tires to pressures higher than those shown on the tire placard. Specifically, inflate them by an extra 1 psi (6.9 kPa, 0.07 kgf/cm²) for every difference of 10°F (5.6°C) between

the temperature in the garage and the temperature outside. By way of example, the following table shows the required tire pressures that correspond to various outside temperatures when the temperature in the garage is 60°F (15.6°C).

Example:

Tire size: P215/65R16 96H

Standard tire pressures:

Front: 30 psi (210 kPa, 2.1 kgf/cm²)

Rear: 29 psi (200 kPa, 2.0 kgf/cm²)

Garage temperature: 60°F (15.6°C)

Outside temperature	Adjusted pressure [psi (kPa, kgf/cm ²)]	
	front	rear
30°F (-1°C)	33 (230, 2.3)	32 (220, 2.2)
10°F (-12°C)	35 (240, 2.4)	34 (235, 2.35)
-10°F (-23°C)	37 (255, 2.55)	36 (250, 2.5)

Example:

Tire size: P225/55R17 95H

Standard tire pressures:

Front: 32 psi (220 kPa, 2.2 kgf/cm²)

Rear: 30 psi (210 kPa, 2.1 kgf/cm²)

Garage temperature: 60°F (15.6°C)

Outside temperature	Adjusted pressure [psi (kPa, kgf/cm ²)]	
	front	rear
30°F (-1°C)	35 (240, 2.4)	33 (230, 2.3)
10°F (-12°C)	37 (255, 2.55)	35 (240, 2.4)
-10°F (-23°C)	39 (270, 2.7)	37 (255, 2.55)

If the low tire pressure warning light illuminates when you drive the vehicle in cold outside air after adjusting the tire pressures in a warm garage, re-adjust the tire pressures using the method described above. Then, increase the vehicle speed to at least 20 mph (32 km/h) and check to see that the low tire pressure warning light turns off a few minutes later. If the low tire pressure warning light does not turn off, the tire pressure monitoring system may not be functioning normally. In this event, go to a SUBARU dealer to have the system inspected as soon as possible.

While the vehicle is driven, friction between tires and the road surface causes the tires to warm up. After illumination of the low tire pressure warning light, any increase in the tire pressures caused by an increase in the outside air temperature or by an increase in the temperature in the

tires can cause the low tire pressure warning light to turn off.

System resetting is necessary when the wheels are changed (for example, a switch to snow tires) and new TPMS valves are installed on the newly fitted wheels. Have this work performed by a SUBARU dealer following wheel replacement.

It may not be possible to install TPMS valves on certain wheels that are on the market. Therefore, if you change the wheels (for example, a switch to snow tires), use wheels that have the same part number as the standard-equipment wheels. Without four operational TPMS valve/sensors on the wheels, the TPMS will not fully function and the warning light in the instrument panel will illuminate steadily after blinking for approximately one minute.

When a tire is replaced, adjustments are necessary to ensure continued normal operation of the tire pressure monitoring system. As with wheel replacement, therefore, you should have the work performed by a SUBARU dealer.


WARNING

If the low tire pressure warning light does not illuminate briefly after the ignition switch is turned ON or the light illuminates steadily after blinking for approximately one minute, you should have your Tire Pressure Monitoring System checked at a SUBARU dealer as soon as possible.

If this light illuminates while driving, never brake suddenly and keep driving straight ahead while gradually reducing speed. Then slowly pull off the road to a safe place. Otherwise an accident involving serious vehicle damage and serious personal injury could occur.

If this light still illuminates while driving after adjusting the tire pressure, a tire may have significant damage and a fast leak that causes the tire to lose air rapidly. If you have a flat tire, replace it with a spare tire as soon as possible.

When a spare tire is mounted or a wheel rim is replaced without the original pressure sensor/transmitter being transferred, the low tire pressure warning light will illuminate steadily after blinking for approxi-

mately one minute. This indicates the TPMS is unable to monitor all four road wheels. Contact your SUBARU dealer as soon as possible for tire and sensor replacement and/or system resetting. If the light illuminates steadily after blinking for approximately one minute, promptly contact a SUBARU dealer to have the system inspected.

■ Tire inspection

Check on a daily basis that the tires are free from serious damage, nails, and stones. At the same time, check the tires for abnormal wear.

Contact your SUBARU dealer immediately if you find any problem.

NOTE

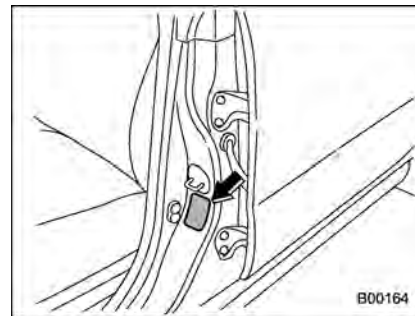
- **When the wheels and tires strike curbs or are subjected to harsh treatment as when the vehicle is driven on a rough surface, they can suffer damage that cannot be seen with the naked eye. This type of damage does not become evident until time has passed. Try not to drive over curbs, potholes or on other rough surfaces. If doing so is unavoidable, keep the vehicle's speed down to a walking pace or less, and**

approach the curbs as squarely as possible. Also, make sure the tires are not pressed against the curb when you park the vehicle.

- **If you feel unusual vibration while driving or find it difficult to steer the vehicle in a straight line, one of the tires and/or wheels may be damaged. Drive slowly to the nearest authorized SUBARU dealer and have the vehicle inspected.**

■ Tire pressures and wear

Maintaining the correct tire pressures helps to maximize the tires' service lives and is essential for good running performance. Check and, if necessary, adjust the pressure of each tire (including the spare) at least once a month (for example, during a fuel stop) and before any long journey.



Check the tire pressures when the tires are cold. Use a pressure gauge to adjust the tire pressures to the values shown on the tire placard. The tire placard is located on the door pillar on the driver's side.

Driving even a short distance warms up the tires and increases the tire pressures. Also, the tire pressures are affected by the outside temperature. It is best to check tire pressure outdoors before driving the vehicle.

When a tire becomes warm, the air inside it expands, causing the tire pressure to increase. Be careful not to mistakenly release air from a warm tire to reduce its pressure.

NOTE

- The air pressure in a tire increases by approximately 4.3 psi (30 kPa, 0.3 kgf/cm²) when the tire becomes warm.
- The tires are considered cold when the vehicle has been parked for at least 3 hours or has been driven less than 1 mile (1.6 km).

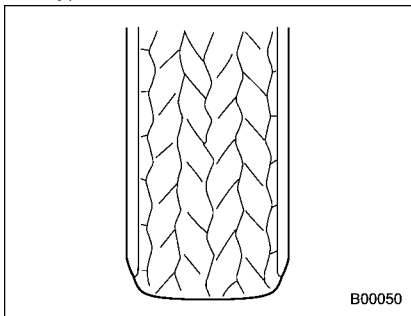


WARNING

Do not let air out of warm tires to adjust pressure. Doing so will result in low tire pressure.

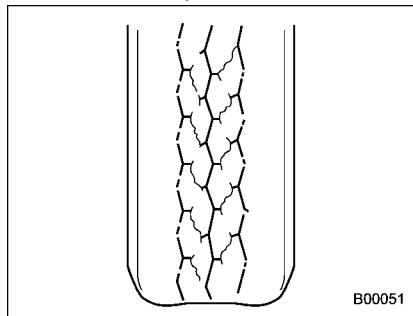
Incorrect tire pressures detract from controllability and ride comfort, and they cause the tires to wear abnormally.

- **Correct tire pressure** (tread worn evenly)



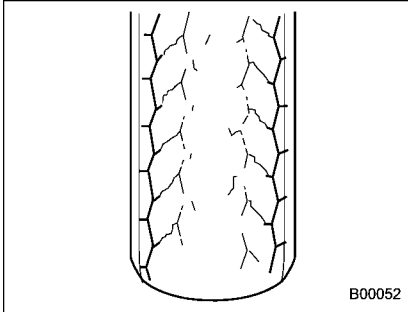
Roadholding is good, and steering is responsive. Rolling resistance is low, so fuel consumption is also lower.

- **Abnormally low tire pressure** (tread worn at shoulders)



Rolling resistance is high, so fuel consumption is also higher.

- **Abnormally high tire pressure** (tread worn in center)



Ride comfort is poor. Also, the tire magnifies the effects of road-surface bumps and dips, possibly resulting in vehicle damage.

If the tire placard shows tire pressures for the vehicle when fully loaded, adjust the tire pressures to the values that match current loading conditions.

WARNING

Driving at high speeds with excessively low tire pressures can cause the tires to deform severely and to rapidly become hot. A sharp increase in temperature could cause tread separation, and destruction of

the tires. The resulting loss of vehicle control could lead to an accident.

■ **Wheel balance**

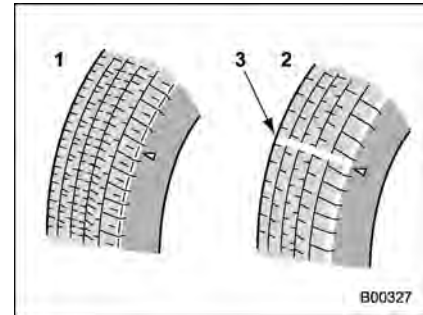
Each wheel was correctly balanced when your vehicle was new, but the wheels will become unbalanced as the tires become worn during use. Wheel imbalance causes the steering wheel to vibrate slightly at certain vehicle speeds and detracts from the vehicle's straight-line stability. It can also cause steering and suspension system problems and abnormal tire wear. If you suspect that the wheels are not correctly balanced, have them checked and adjusted by your SUBARU dealer. Also have them adjusted after tire repairs and after tire rotation.

NOTE

Loss of correct wheel alignment* causes the tires to wear on one side and reduces the vehicle's running stability. Contact your SUBARU dealer if you notice abnormal tire wear.

*: The suspension system is designed to hold each wheel at a certain alignment (relative to the other wheels and to the road) for optimum straight-line stability and cornering performance.

■ **Wear indicators**



- 1) New tread
- 2) Worn tread
- 3) Tread wear indicator

Each tire incorporates a tread wear indicator, which becomes visible when the depth of the tread grooves decreases to 0.063 in (1.6 mm). A tire must be replaced when the tread wear indicator appears as a solid band across the tread.

WARNING

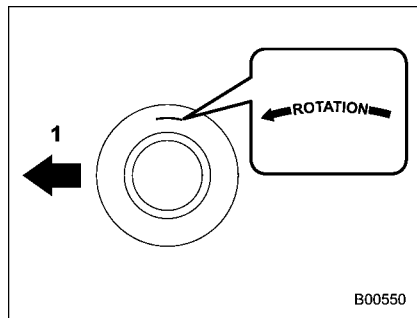
When a tire's tread wear indicator becomes visible, the tire is worn beyond the acceptable limit and must be replaced immediately. With a tire in this condition, driving at high speeds in wet weather can

cause the vehicle to hydroplane. The resulting loss of vehicle control can lead to an accident.

NOTE

For safety, inspect tire tread regularly and replace the tires before their tread wear indicators become visible.

■ Tire rotation direction mark



Example of tire rotation direction mark

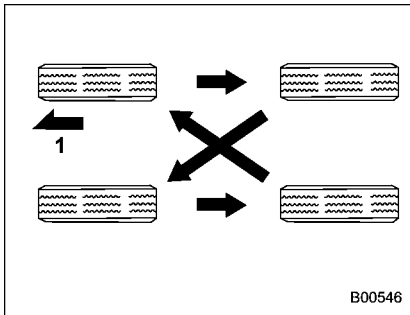
1) Front

If the tire has the rotation direction specification, the tire rotation direction mark is placed on its sidewall.

When you install a tire that has the tire rotation direction mark, install the tire with

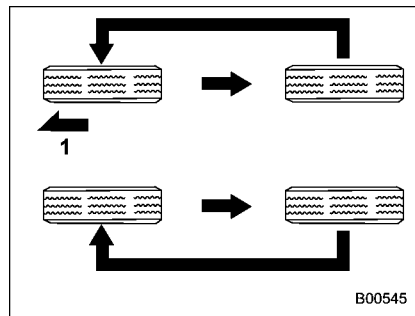
the direction mark facing forward.

■ Tire rotation



Vehicles equipped with 4 non-unidirectional tires

1) Front



Vehicles equipped with unidirectional tires

1) Front

Tire wear varies from wheel to wheel. To maximize the life of each tire and ensure that the tires wear uniformly, it is best to rotate the tires every 7,500 miles (12,000 km). Move the tires to the positions shown in the illustration each time they are rotated.

Replace any damaged or unevenly worn tires at the time of rotation. After tire rotation, adjust the tires pressures and make sure the wheel nuts are correctly tightened.

After driving approximately 600 miles (1,000 km), check the wheel nuts again and retighten any nut that has become loose.

■ Tire replacement

The wheels and tires are important and integral parts of your vehicle's design; they cannot be changed arbitrarily. The tires fitted as standard equipment are optimally matched to the characteristics of the vehicle and were selected to give the best possible combination of running performance, ride comfort, and service life. It is essential for every tire to have a size and construction matching those shown on the tire placard and to have a speed symbol and load index matching those shown on the tire placard.

Using tires of a non-specified size detracts from controllability, ride comfort, braking performance, speedometer accuracy and odometer accuracy. It also creates incorrect body-to-tire clearances and inappropriately changes the vehicle's ground clearance.

All four tires must be the same in terms of manufacturer, brand (tread pattern), construction, and size. You are advised to replace the tires with new ones that are identical to those fitted as standard equipment.

For safe vehicle operation, SUBARU recommends replacing all four tires at the same time.



WARNING

- **All four tires must be the same in terms of manufacturer, brand (tread pattern), construction, degree of wear, speed symbol, load index and size. Mixing tires of different types, sizes or degrees of wear can result in damage to vehicle's powertrain. Use of different types or sizes of tires can also dangerously reduce controllability and braking performance and can lead to an accident.**
- **Use only radial tires. Do not use radial tires together with belted bias tires and/or bias-ply tires. Doing so can dangerously reduce controllability, resulting in an accident.**

■ Wheel replacement

When replacing wheels due, for example, to damage, make sure the replacement wheels match the specifications of the wheels that are fitted as standard equipment. Replacement wheels are available from SUBARU dealers.



WARNING

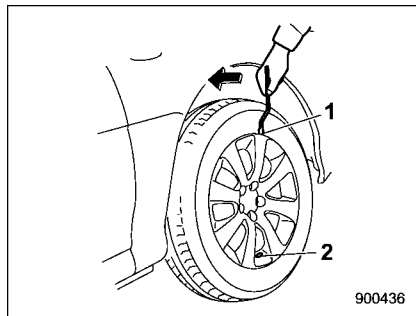
Use only those wheels that are specified for your vehicle. Wheels not meeting specifications could interfere with brake caliper operation and may cause the tires to rub against the wheel well housing during turns. The resulting loss of vehicle control could lead to an accident.

NOTE

When any of the wheels are removed and replaced for tire rotation or to change a flat tire, always check the tightness of the wheel nuts after driving approximately 600 miles (1,000 km). If any nut is loose, tighten it to the specified torque.

■ Wheel covers (if equipped)

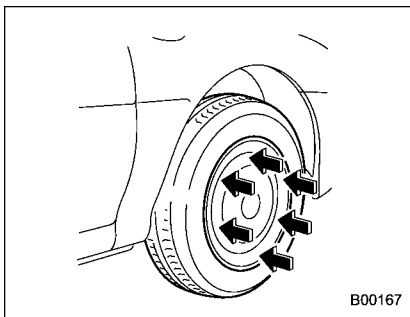
▼ Removing the wheel cover



- 1) Notch
- 2) Valve hole

Insert a wheel cover remover into the notch part on the opposite side of the valve hole and pry the wheel cover to remove it.

▼ Installing the wheel cover



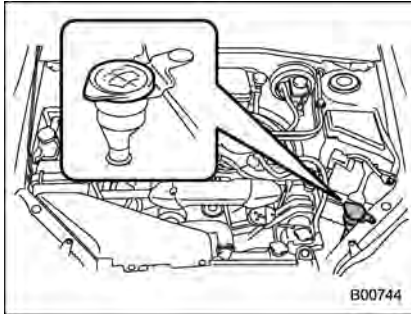
Align the valve with the valve hole in the cover, then fit the cover on the wheel by tapping your hand evenly around the circumference of the cover.

Aluminum wheels

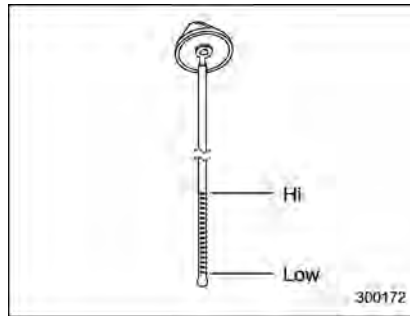
Aluminum wheels can be scratched and damaged easily. Handle them carefully to maintain their appearance, performance, and safety.

- When any of the wheels are removed and replaced for tire rotation or to change a flat tire, always check the tightness of the wheel nuts after driving approximately 600 miles (1,000 km). If any nut is loose, tighten it to the specified torque.
- Never apply oil to the threaded parts, wheel nuts, or tapered surface of the wheel.
- Never let the wheel rub against sharp protrusions or curbs.
- When wheel nuts, balance weights, or the center cap is replaced, be sure to replace them with genuine SUBARU parts designed for aluminum wheels.

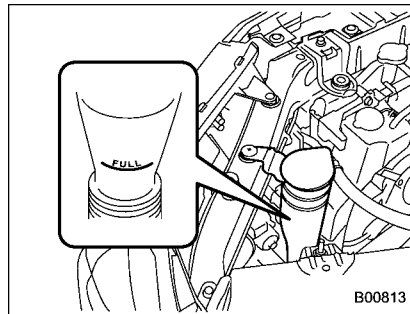
Windshield washer fluid



If you spray washer fluid on the windshield but the supply of washer fluid appears to diminish, check the level of washer fluid in the tank.



Washer fluid level gauge



Remove the washer tank filler cap, then check the fluid level indicated by the level gauge (attached to the inside of the cap). If the level is near the "Low" mark, add fluid until it reaches the "Hi" level on the

level gauge or the "FULL" mark on the tank.

Use windshield washer fluid. If windshield washer fluid is unavailable use clean water.

In areas where water freezes in winter, use an anti-freeze type windshield washer fluid. SUBARU Windshield Washer Fluid contains 58.5% methyl alcohol and 41.5% surfactant, by volume. Its freezing temperature varies according to how much it is diluted, as indicated in the following table.

Washer Fluid Concentration	Freezing Temperature
30%	10.4°F (-12°C)
50%	-4°F (-20°C)
100%	-49°F (-45°C)



CAUTION

Never use engine coolant as washer fluid because it could cause paint damage.

In order to prevent freezing of washer fluid, check the freezing temperatures in the table above when adjusting the fluid concentration to the outside temperature. If you fill the reservoir tank with a fluid with

a different concentration from the one used previously, purge the old fluid from the piping between the reservoir tank and washer nozzles by operating the washer for a certain period of time. Otherwise, if the concentration of the fluid remaining in the piping is too low for the outside temperature, it may freeze and block the nozzles.

**CAUTION**

Adjust the washer fluid concentration appropriately for the outside temperature. If the concentration is inappropriate, sprayed washer fluid may freeze on the windshield and obstruct your view, and the fluid may freeze in the reservoir tank.

Replacement of wiper blades

Grease, wax, insects, or other material on the windshield or the wiper blade results in jerky wiper operation and streaking on the glass. If you cannot remove the streaks after operating the windshield washer or if the wiper operation is jerky, clean the outer surface of the windshield (or rear window) and the wiper blades using a sponge or soft cloth with a neutral detergent or mild-abrasive cleaner. After cleaning, rinse the windshield and wiper blades with clean water. The windshield is clean if beads do not form when you rinse the windshield with water.

**CAUTION**

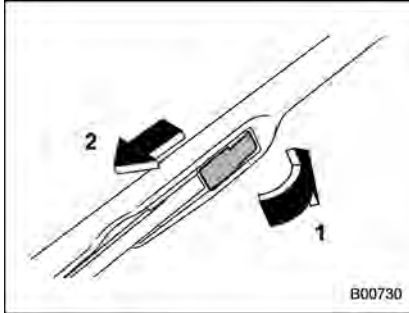
- **Do not clean the wiper blades with gasoline or a solvent, such as paint thinner or benzene. This will cause deterioration of the wiper blades.**
- **While removing the wiper blades from the wiper arms, do not return the wiper arms to the original positions. Otherwise, the windshield surface may be scratched.**
- **When returning the raised wiper arms to the original positions,**

carefully return the wiper arms on the windshield by hand. You should not return the wiper arms to the windshield only by the return spring. Otherwise, the wiper arms may be deformed and/or the windshield surface may be scratched.

If you cannot eliminate the streaking even after following this method, replace the wiper blades using the following procedures.

■ Windshield wiper blade assembly

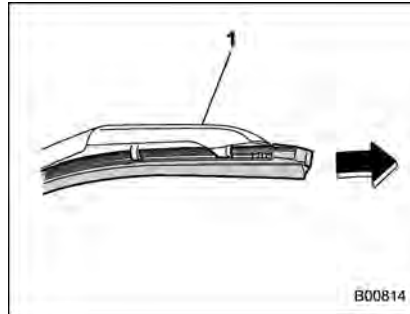
1. Raise the wiper arm off the windshield.



- 1) Open the cover
- 2) Pull down the wiper blade

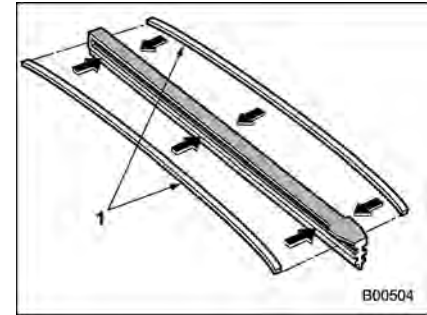
2. Remove the wiper blade assembly by opening the cover and pulling it down in the direction shown in the illustration.
3. Install the wiper blade assembly to the wiper arm. Make sure that it locks in place.
4. Hold the wiper arm by hand and slowly lower it in position.

■ Windshield wiper blade rubber



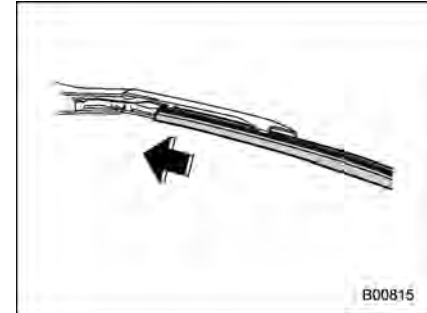
- 1) Support

1. Grasp the locked end of the blade rubber assembly and pull it firmly until the stoppers on the rubber are free of the support.



- 1) Metal spines

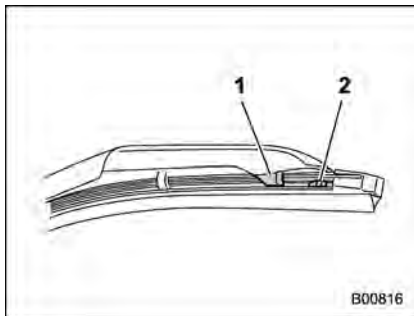
2. If the new blade rubber is not provided with two metal spines, remove the metal spines from the old blade rubber and install them in the new blade rubber.



3. Align the claws of the support with the

– **CONTINUED** –

grooves in the rubber and slide the blade rubber assembly into the support until it locks.

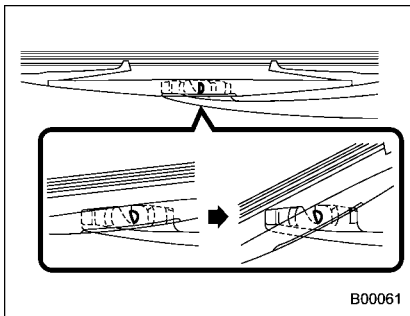


- 1) Claw
- 2) Stopper

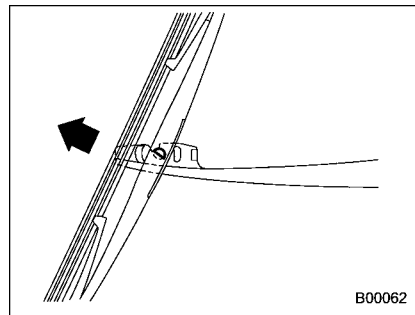
4. Be sure to position the claws at the end of the support between the stoppers on the rubber as shown. If the rubber is not retained properly, the wiper blade may scratch the windshield.

■ Rear window wiper blade assembly

1. Raise the wiper arm off the rear window.

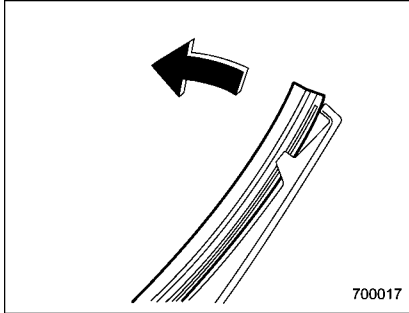


2. Turn the wiper blade assembly counterclockwise.

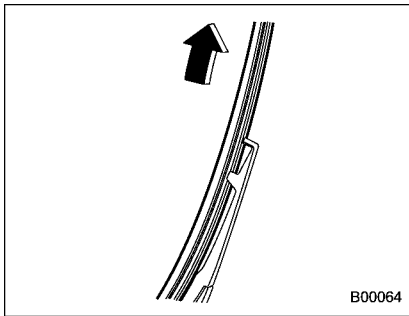


- 3. Pull the wiper blade assembly toward you to remove it from the wiper arm.
- 4. Install the wiper blade assembly to the wiper arm. Make sure that it locks in place.
- 5. Hold the wiper arm by hand and slowly lower it in position.

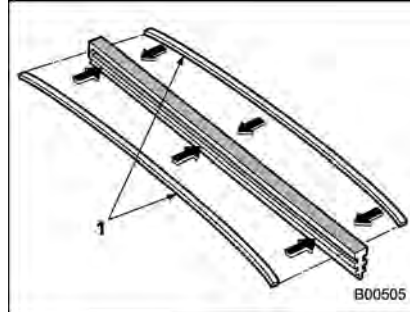
■ Rear window wiper blade rubber



1. Pull out the end of the blade rubber assembly to unlock it from the plastic support.

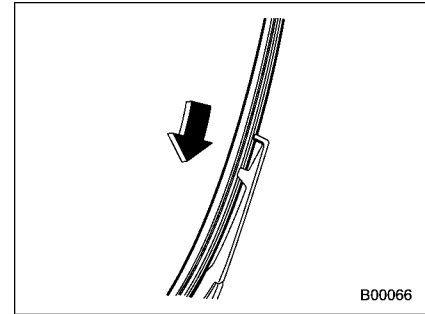


2. Pull the blade rubber assembly out of the plastic support.

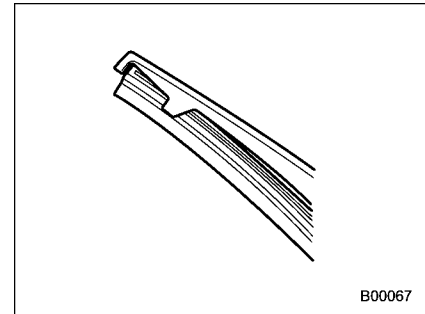


1) Metal spines

3. If the new blade rubber is not provided with two metal spines, remove the metal spines from the old blade rubber and install them in the new blade rubber.



4. Align the claws of the plastic support with the grooves in the blade rubber assembly, then slide the blade rubber assembly into place.



Securely retain both ends of the rubber with the stoppers on the plastic support

– CONTINUED –

ends. If the rubber is not retained properly, the wiper may scratch the rear window glass.

Battery



WARNING

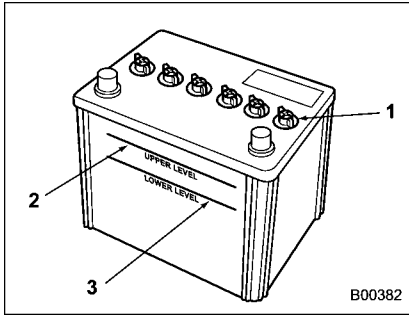
- Before beginning work on or near any battery, be sure to extinguish all cigarettes, matches, and lighters. Never expose a battery to an open flame or electric sparks. Batteries give off a gas which is highly flammable and explosive.
- For safety, in case an explosion does occur, wear eye protection or shield your eyes when working near any battery. Never lean over a battery.
- Do not let battery fluid contact eyes, skin, fabrics, or paint because battery fluid is a corrosive acid. If battery fluid gets on your skin or in your eyes, immediately flush the area with water thoroughly. Seek medical help immediately if acid has entered the eyes.

If battery fluid is accidentally swallowed, immediately drink a large amount of milk or water, and seek medical attention immediately.

- To lessen the risk of sparks,

remove rings, metal watchbands, and other metal jewelry. Never allow metal tools to contact the positive battery terminal and anything connected to it WHILE you are at the same time in contact with any other metallic portion of the vehicle because a short circuit will result.

- Keep everyone including children away from the battery.
- Charge the battery in a well-ventilated area.
- Battery posts, terminals and related accessories contain lead and lead compounds, chemicals known to the State of California to cause cancer and reproductive harm. Batteries also contain other chemicals known to the State of California to cause cancer. *Wash hands after handling.*



- 1) Cap
- 2) Upper level
- 3) Lower level

It is unnecessary to periodically check the battery fluid level or periodically refill with distilled water.

However, if the battery fluid level is below the lower level, remove the cap. Fill to the upper level with distilled water.

CAUTION

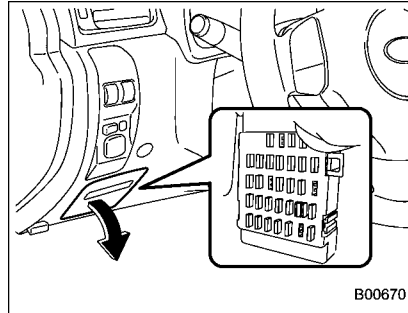
Never use more than 10 amperes when charging the battery because it will shorten battery life.

Fuses

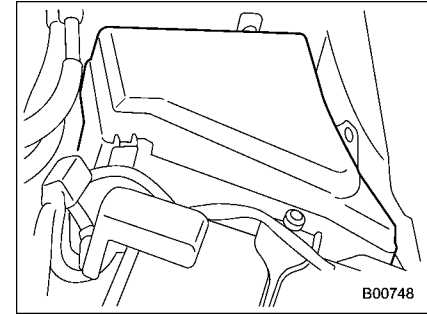
CAUTION

Never replace a fuse with one having a higher rating or with material other than a fuse because serious damage or a fire could result.

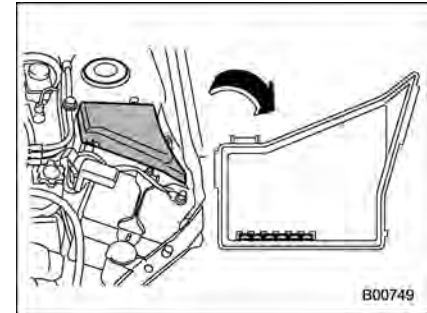
The fuses are designed to melt during an overload to prevent damage to the wiring harness and electrical equipment. The fuses are located in two fuse boxes.



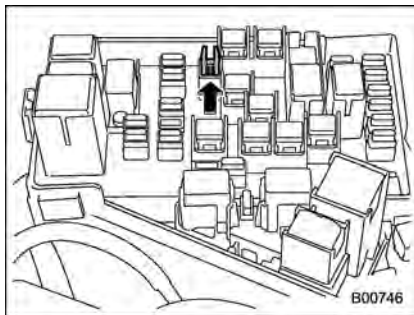
One is located under the instrument panel behind the fuse box cover on the driver's seat side. To remove the cover, pull it out.



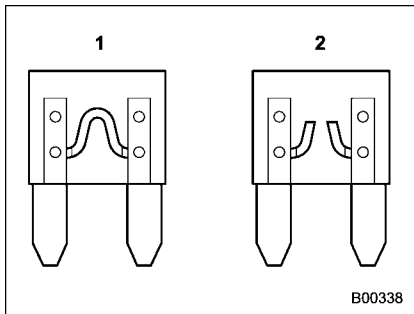
The other one is housed in the engine compartment.



The spare fuses are stored in the main fuse box cover in the engine compartment.



The fuse puller is stored in the main fuse box in the engine compartment.

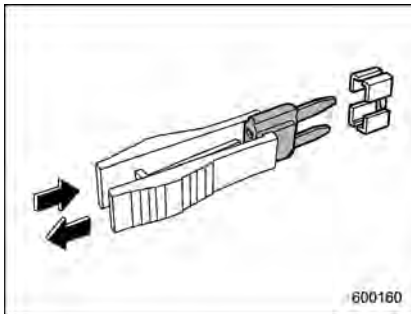


- 1) Good
- 2) Blown

If any lights, accessories or other electrical controls do not operate, inspect the

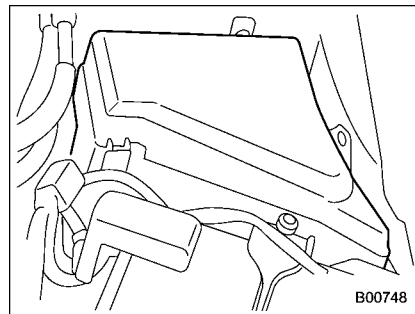
corresponding fuse. If a fuse has blown, replace it.

1. Turn the ignition switch to the "LOCK" position and turn off all electrical accessories.
2. Remove the cover.
3. Determine which fuse may be blown. Look at the back side of each fuse box cover and refer to "Fuses and circuits" 12-6.



4. Pull out the fuse with the fuse puller.
5. Inspect the fuse. If it has blown, replace it with a spare fuse of the same rating.
6. If the same fuse blows again, this indicates that its system has a problem. Contact your SUBARU dealer for repairs.

Main fuse



Main fuse box

The main fuses are designed to melt during an overload to prevent damage to the wiring harness and electrical equipment. Check the main fuses if any electrical component fails to operate (except the starter motor) and other fuses are good. A melted main fuse must be replaced. Use only replacements with the same specified rating as the melted main fuse. If a main fuse blows after it is replaced, have the electrical system checked by your nearest SUBARU dealer.

Installation of accessories

Always consult your SUBARU dealer before installing fog lights or any other electrical equipment in your vehicle. Such accessories may cause the electronic system to malfunction if they are incorrectly installed or if they are not suited for the vehicle.

Replacing bulbs



WARNING

Bulbs may become very hot while illuminated. Before replacing bulbs, turn off the bulbs and wait until the bulbs cool down. Otherwise, there is a risk of sustaining a burn injury.



CAUTION

Replace any bulb only with a new bulb of the specified wattage. Using a bulb of different wattage could result in a fire. For the specified wattage of each bulb, refer to "Bulb chart" 12-10.

■ Headlights (models with HID headlights)



WARNING

High-intensity-discharge (HID) bulbs are used for the low beams of the headlights. These HID bulbs use an extremely high voltage. To avoid the risk of an electric shock that could result in serious injury, observe the

following precautions.

- Do not replace any headlight bulbs (both low beam and high beam) by yourself.
- Do not remove/restore the headlight assemblies by yourself.
- Do not remove any headlight-assembly components by yourself.

For replacement, contact your SUBARU dealer.

■ Headlights (models without HID headlights)



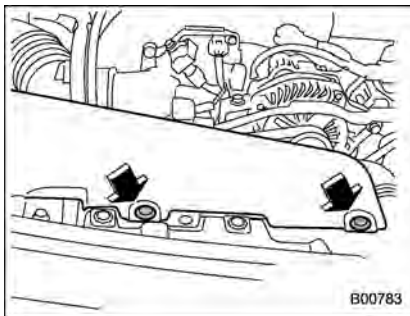
CAUTION

Halogen headlight bulbs become very hot while in use. If you touch the bulb surface with bare hands or greasy gloves, fingerprints or grease on the bulb surface will develop into hot spots, causing the bulb to break. If there are fingerprints or grease on the bulb surface, wipe them away with a soft cloth moistened with alcohol.

NOTE

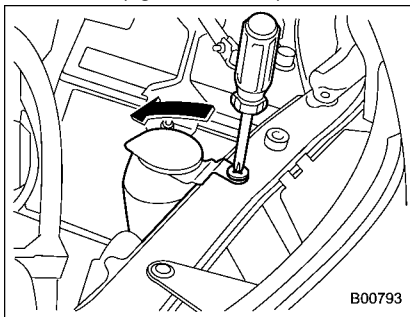
- If headlight aiming is required, consult your SUBARU dealer for proper adjustment of the headlight aim.
- It may be difficult to replace the bulbs. Have the bulbs replaced by your SUBARU dealer if necessary.

▼ Low beam light bulbs



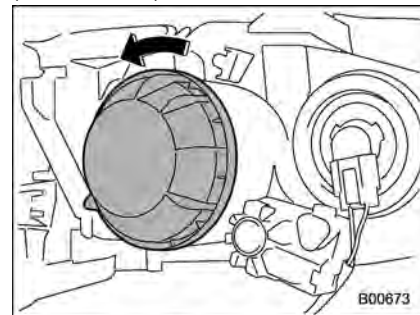
Right-hand side

1. Use a screwdriver to undo the clips on the air intake duct, then remove the air intake duct (right-hand side).

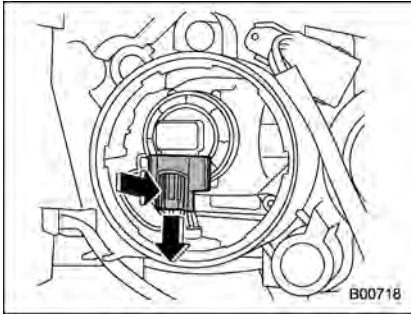


Left-hand side

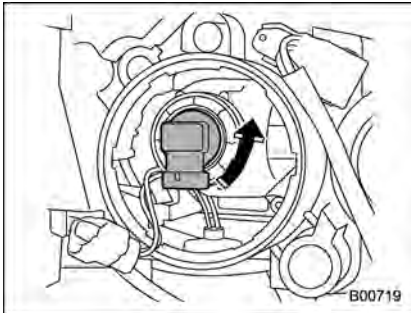
2. Use a screwdriver to remove the secured clip of the washer tank. To make it easy to access the bulb, move the washer tank to the horizontal direction (left-hand side).



3. Remove the bulb cover, by turning it counterclockwise.



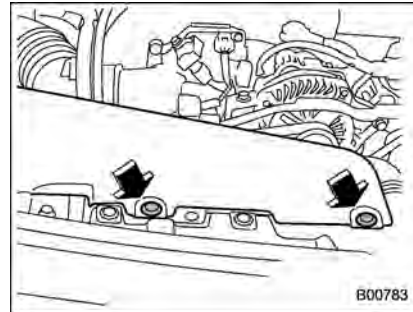
4. Disconnect the electrical connector from the bulb.



5. Remove the bulb from the headlight assembly by turning it counterclockwise.
6. Replace the bulb with a new one. At this time, do not touch the bulb surface.

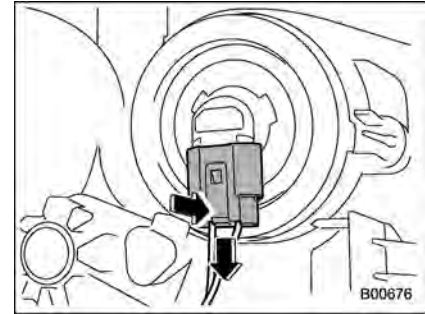
7. To install the bulb to the headlight assembly, turn it clockwise until it clicks.
8. Reconnect the electrical connector.
9. Install the bulb cover.
10. Install the air intake duct with clips (right-hand side).
11. Set the washer tank to the original place and secure it by clip (left-hand side).

▼ High beam light bulbs

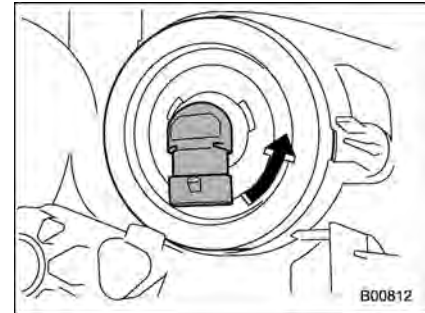


Right-hand side

1. Use a screwdriver to undo the clips on the air intake duct, then remove the air intake duct (right-hand side).



2. Disconnect the electrical connector from the bulb.

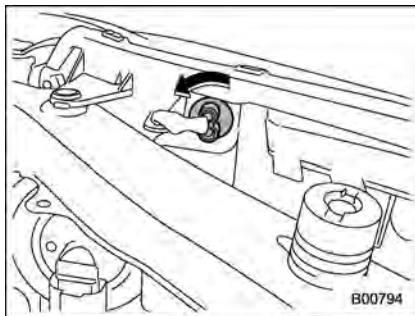


3. Remove the bulb from the headlight assembly by turning it counterclockwise.
4. Replace the bulb with new one. At this time, use care not to touch the bulb

surface.

5. To install the bulb to the headlight assembly, turn it clockwise until it clicks.
6. Reconnect the electrical connector.
7. Install the air intake duct with clips (right-hand side).

■ Position light

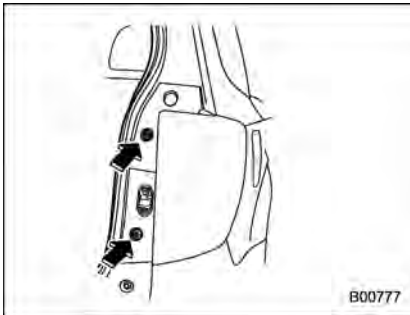


1. Turn the bulb socket counterclockwise and pull out the socket.
2. Pull the bulb out of the socket. Install a new bulb.
3. Install the bulb socket by turning it clockwise.

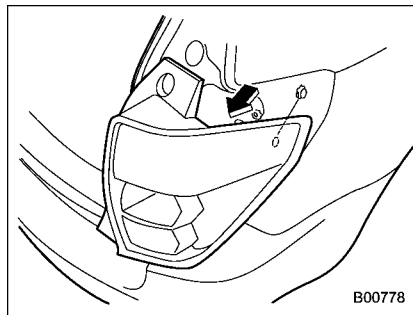
■ Front turn signal light

It may be difficult to replace the bulbs. Have the bulbs replaced by your SUBARU dealer if necessary.

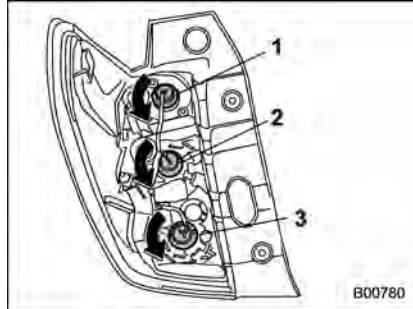
■ Rear combination lights



1. Using a Phillips screwdriver, remove the upper and lower screws that secure the rear combination light assembly.

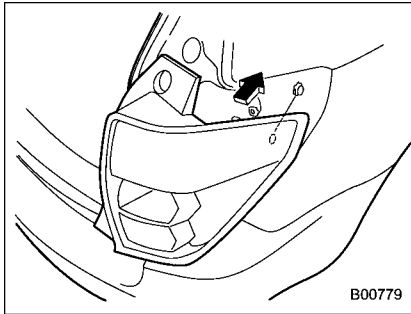


2. Slide the rear combination light assembly rearward and remove it from the vehicle.

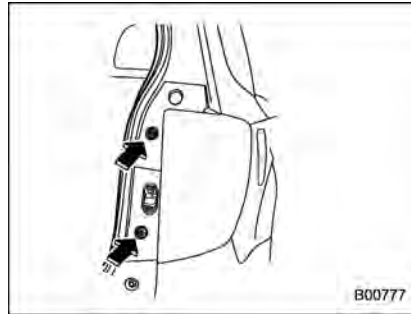


- 1) Brake/tail light
- 2) Rear turn signal light
- 3) Back-up light

3. Remove the bulb socket from the rear combination light assembly by turning it counterclockwise.
4. Pull the bulb out of the bulb socket and replace it with a new one.
5. Set the bulb socket into the rear combination light assembly and turn it clockwise until it locks.

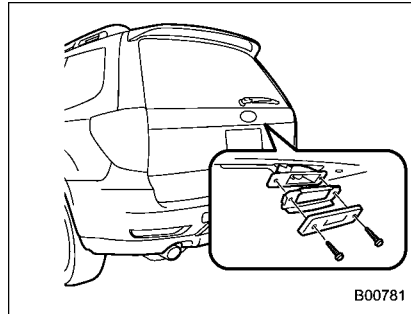


6. Put the rear combination light assembly into place while aligning the clip with the guide on the vehicle.



7. Tighten the upper and lower screws.

■ License plate light



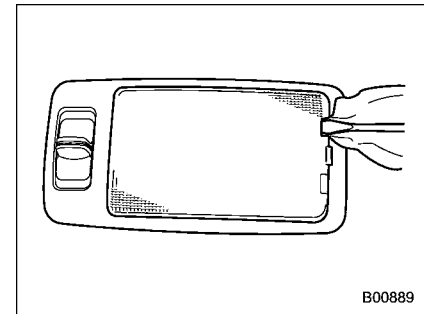
1. Remove the mounting screws using a Phillips screwdriver.

2. Remove the cover and lens.
3. Pull the bulb out of the socket. Install a new bulb.
4. Reinstall the lens and cover.
5. Tighten the mounting screws.

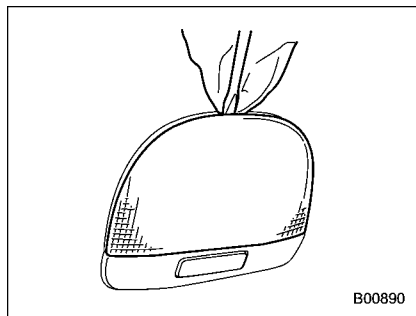
■ Dome light, map light, cargo area light and door step light

▲ CAUTION

When the door is opened, the map light illuminates and becomes very hot. When replacing the map light bulb, close the door and be careful not to burn yourself.

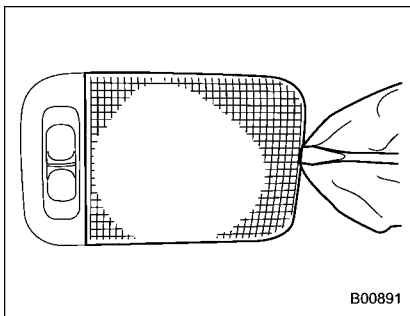


Dome light (type A)



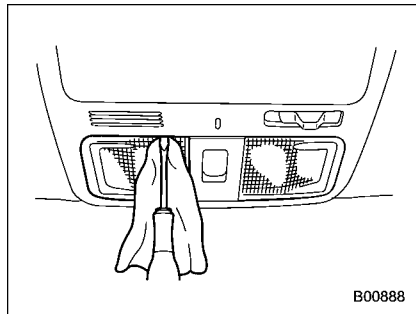
B00890

Dome light (type B)



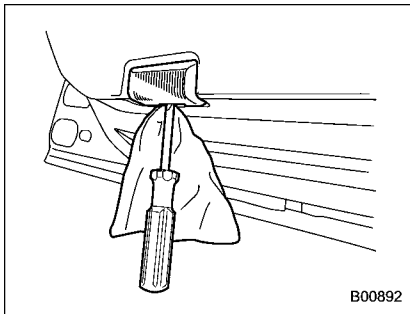
B00891

Cargo area light



B00888

Map light



B00892

Door step light

1. Remove the lens by prying the edge of the lens with a flat-head screwdriver.

2. Pull the bulb out of the socket. Install a new bulb.
3. Reinstall the lens.

■ Other bulbs

Other bulbs may be difficult to replace. Have the bulbs replaced by your SUBARU dealer if necessary.

Specifications	12-2	Fuses and circuits	12-6
Dimensions	12-2	Fuse panel located in the passenger compartment	12-6
Engine	12-3	Fuse panel located in the engine compartment	12-8
Electrical system	12-3	Bulb chart	12-10
Capacities	12-4	Vehicle identification	12-13
Tires	12-5		
Wheel alignment	12-5		

Specifications

These specifications are subject to change without notice.

■ Dimensions

Item		in (mm)	
		Non-turbo models	Turbo models
Overall length		179.5 (4,560)	
Overall width		70.1 (1,780)	
Overall height	without roof rail	65.9 (1,675)	
	with roof rail	66.9 (1,700)	
Wheel base		103.0 (2,615)	
Tread	Front	60.2 (1,530)	
	Rear	60.2 (1,530)	
Ground clearance* ¹		8.7 (220)	8.9 (225)

*1: Measured with vehicle empty

■ Engine

Engine model	EJ253 (2.5-liter, SOHC, non-turbo)	EJ255 (2.5-liter, DOHC, turbo)
Engine type	Horizontally opposed, liquid cooled 4 cylinder, 4-stroke gasoline engine	
Displacement cc (cu-in)	2,457 (150)	
Bore × Stroke in (mm)	3.9 × 3.1 (99.5 × 79.0)	
Compression ratio	10.0 : 1	8.4 : 1
Firing order	1 – 3 – 2 – 4	

■ Electrical system

Battery type and capacity (5HR)	MT	12V-48AH (55D23L)
	AT	12V-52AH (65D23L)
Alternator	Non-turbo models	12V-90A
	Turbo models	12V-110A
Spark plugs	Non-turbo engine	FR5AP-11 (NGK)
	Turbo engine	SILFR6A (NGK)

AT: Automatic transmission

MT: Manual transmission

■ Capacities

Fuel tank	16.9 US gal (64 liters, 14.1 Imp gal)		
Engine oil	4.2 US qt (4.0 liters, 3.5 Imp qt)		
Transmission oil (MT models)	3.7 US qt (3.5 liters, 3.1 Imp qt)		
Transmission fluid (AT models)	9.8 US qt (9.3 liters, 8.2 Imp qt)		
Front differential gear oil (AT models)	1.3 US qt (1.2 liters, 1.1 Imp qt)		
Rear differential gear oil	0.8 US qt (0.8 liters, 0.7 Imp qt)		
Power steering fluid	0.7 US qt (0.7 liter, 0.6 Imp qt)		
Engine coolant	Non-turbo models	MT models	7.2 US qt (6.8 liters, 6.0 Imp qt)
		AT models	7.1 US qt (6.7 liters, 5.9 Imp qt)
	Turbo models	8.5 US qt (8.0 liters, 7.0 Imp qt)	

AT: Automatic transmission

MT: Manual transmission

Each quantity indicated above is only a guideline. The necessary quantity for replacement may differ slightly depending on the temperature and other factors.

■ Tires

Tire size		P215/65R16 96H		P225/55R17 95H
Wheel size		16 × 6 ¹ / ₂ J	16 × 6 ¹ / ₂ JJ	17 × 7 JJ
Pressure	Front	30 psi (210 kPa, 2.1 kgf/cm ²)		32 psi (220 kPa, 2.2 kgf/cm ²)
	Rear	29 psi (200 kPa, 2.0 kgf/cm ²)		30 psi (210 kPa, 2.1 kgf/cm ²)
	Rear when towing trailer	35 psi (240 kPa, 2.4 kgf/cm ²)		36 psi (250 kPa, 2.5 kgf/cm ²)
Temporary spare tire	Size	T155/70 D17		
	Pressure	60 psi (420 kPa, 4.2 kgf/cm ²)		

NOTE

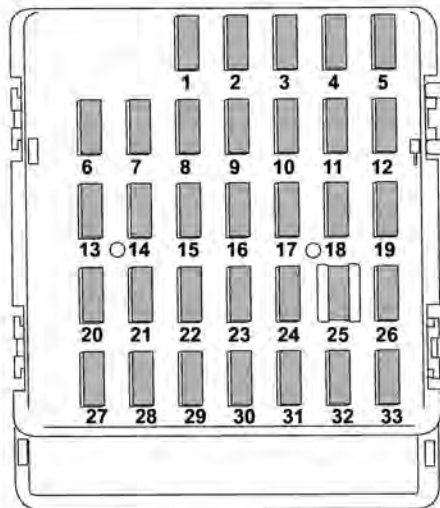
For the Latin American models, there is a conventional tire installed under the floor of the cargo area.

■ Wheel alignment

Toe	Front	0 in (0 mm)
	Rear	0 in (0 mm)
Camber	Front	0°00'
	Rear	0°00'

Fuses and circuits

■ Fuse panel located in the passenger compartment



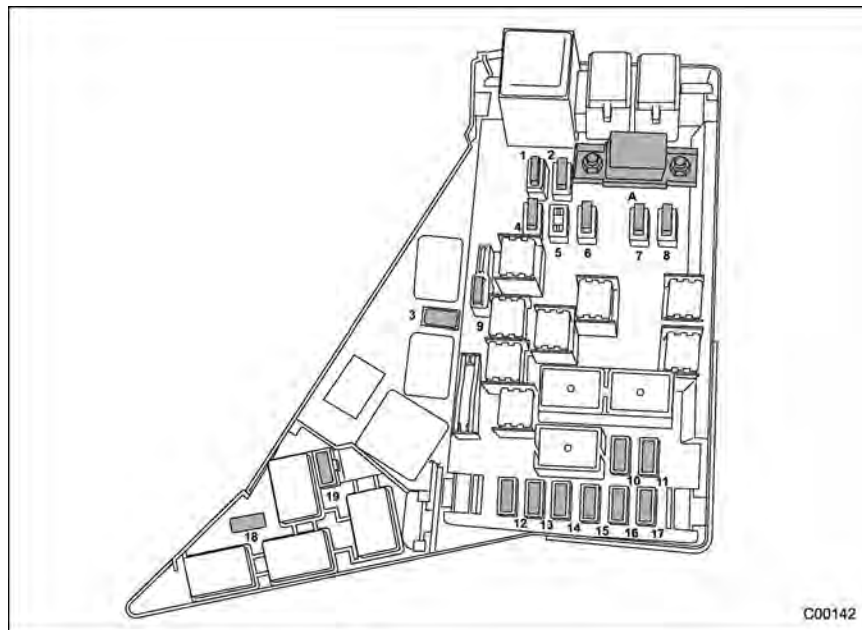
C00123

Fuse panel	Fuse rating	Circuit
1	20A	● Trailer
2	Empty	
3	15A	● Door locking
4	10A	● Front wiper deicer relay
5	10A	● Combination meter
6	7.5A	● Remote control rear view mirrors ● Seat heater relay
7	15A	● Combination meter ● Integrated unit
8	20A	● Stop light
9	15A	● Front wiper deicer
10	7.5A	● Power supply (battery)
11	7.5A	● Turn signal unit ● Clock
12	15A	● Automatic transmission unit ● Engine control unit ● Integrated unit
13	20A	● Accessory power outlet (center console)
14	15A	● Position light ● Tail light ● Rear combination light
15	Empty	(FWD connector for AWD AT models)

Fuse panel	Fuse rating	Circuit
16	10A	● Illumination
17	15A	● Seat heaters
18	10A	● Back-up light
19	Empty	
20	10A	● Accessory power outlet (instrument panel)
21	7.5A	● Starter relay
22	15A	● Air conditioner ● Rear window defogger relay coil
23	15A	● Rear wiper ● Rear window washer
24	15A	● Audio unit ● Clock
25	15A	● SRS airbag system
26	7.5A	● Power window relay ● Radiator main fan relay ● Tail and illumination relay
27	15A	● Blower fan
28	15A	● Blower fan
29	15A	● Fog light
30	30A	● Front wiper
31	7.5A	● Auto air conditioner unit ● Integrated unit

Fuse panel	Fuse rating	Circuit
32	Empty	
33	7.5A	● ABS/Vehicle Dynamics Control unit

■ Fuse panel located in the engine compartment

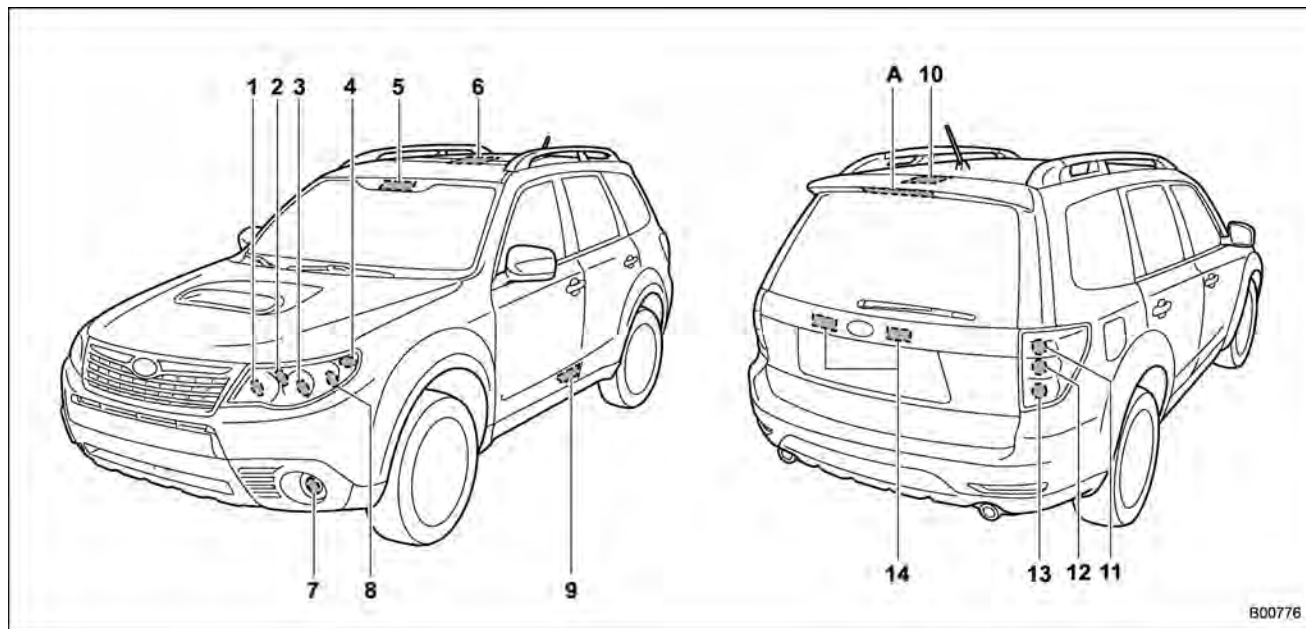


A) Main fuse

Fuse panel	Fuse rating	Circuit
1	30A	<ul style="list-style-type: none"> • ABS unit • Vehicle Dynamics Control unit
2	25A	<ul style="list-style-type: none"> • Main fan
3	10A	<ul style="list-style-type: none"> • Secondary air combination valve (turbo models)
4	25A	<ul style="list-style-type: none"> • Sub fan
5	Empty	
6	10A	<ul style="list-style-type: none"> • Audio
7	30A	<ul style="list-style-type: none"> • Headlight (low beam)
8	15A	<ul style="list-style-type: none"> • Headlight (high beam)
9	20A	<ul style="list-style-type: none"> • Back-up
10	15A	<ul style="list-style-type: none"> • Horn
11	25A	<ul style="list-style-type: none"> • Rear window defogger • Mirror heater
12	15A	<ul style="list-style-type: none"> • Fuel pump
13	10A	<ul style="list-style-type: none"> • Automatic transmission control unit
14	7.5A	<ul style="list-style-type: none"> • Engine control unit
15	15A	<ul style="list-style-type: none"> • Turn and hazard warning flasher
16	15A	<ul style="list-style-type: none"> • Tail and illumination relay
17	7.5A	<ul style="list-style-type: none"> • Alternator

Fuse panel	Fuse rating	Circuit
18	15A	• Headlight (right hand)
19	15A	• Headlight (left hand)

Bulb chart



A: The high mount stop light is the LED (Light Emitting Diode) type. Consult your SUBARU dealer for replacement.

	Wattage	Bulb No.
1) High beam headlight	12V-60W	9005 (HB3)
2) Position light	12V-5W	168 (W5W)
3) Low beam headlight		
Models with HID light	12V-35W	D2R
Models with halogen light	12V-55W	H11
4) Front side marker light	12V-5W	168 (W5W)
5) Map light	12V-8W	–
6) Dome light	12V-8W	–
7) Front fog light	12V-51W	9006 (HB4)
8) Front turn signal light	12V-21W	(WY21W)
9) Door step light	12V-5W	–
10) Cargo area light	12V-13W	–
11) Brake/tail light	12V-21/5W	7443 (W21/5W)
12) Rear turn signal light	12V-21W	(WY21W)
13) Back-up light	12V-21W	7440
14) Licence plate light	12V-5W	168 (W5W)

**WARNING**

- **Bulbs may become very hot while illuminated. Before replacing bulbs, turn off the bulbs and wait until the bulbs cool down. Otherwise, there is a risk of sustaining a burn injury.**
- **For models with HID low beam headlights, observe the following precautions. Not doing so carries the risk of an electric shock that could result in serious injury because the HID bulbs use an extremely high voltage.**
 - **Do not replace any headlight bulbs (both low beam and high beam) by yourself.**
 - **Do not remove/restore the headlight assemblies by yourself.**
 - **Do not remove any headlight-assembly components by yourself.**

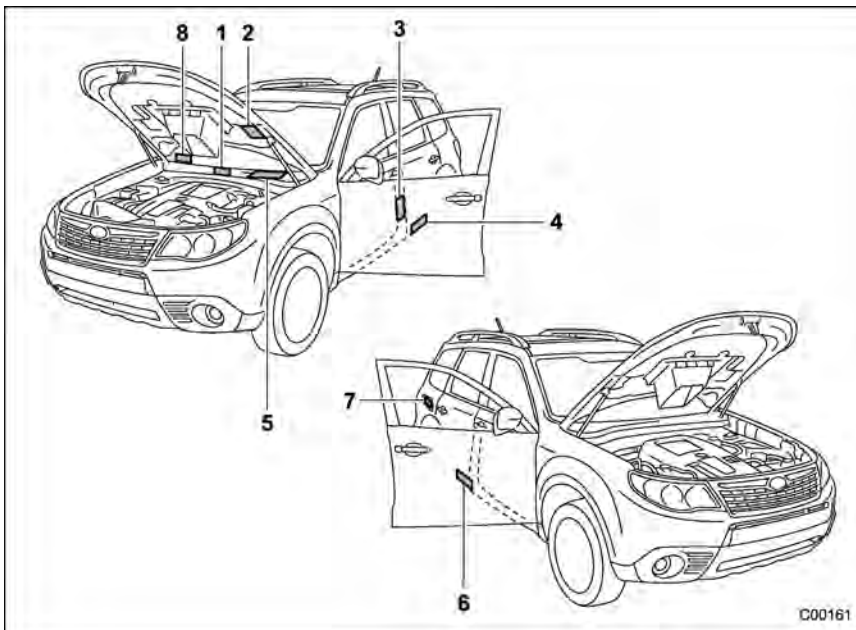
For replacement, contact your SUBARU dealer.



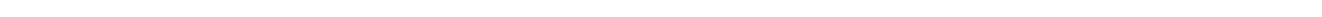
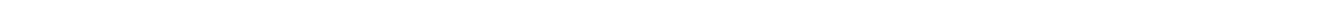
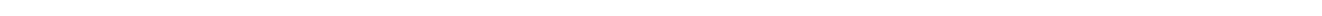
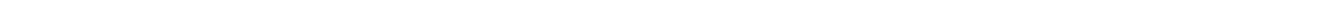
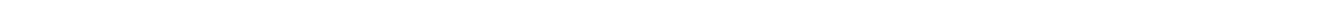
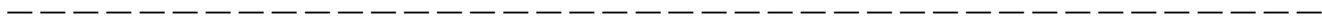
CAUTION

Replace any bulb only with a new bulb of the specified wattage. Using a bulb of different wattage could result in a fire.

Vehicle identification



- 1) Vehicle identification number
- 2) Emission control label
- 3) Tire inflation pressure label
- 4) Certification label
- 5) Vehicle identification number plate
- 6) Model number label
- 7) Fuel label
- 8) Air conditioner label



Consumer information and Reporting safety defects

For U.S.A.	13-2	Determining compatibility of tire and vehicle load capacities	13-14
Tire information.....	13-2	Adverse safety consequences of overloading on handling and stopping and on tires	13-14
Tire labeling	13-2	Steps for Determining Correct Load Limit.....	13-15
Recommended tire inflation pressure.....	13-5	Uniform tire quality grading standards	13-15
Glossary of tire terminology	13-7	Treadwear	13-16
Tire care – maintenance and safety practices.....	13-11	Traction AA, A, B, C.....	13-16
Vehicle load limit – how to determine.....	13-11	Temperature A, B, C.....	13-16
		Reporting safety defects (U.S.A.)	13-17

For U.S.A.

The following information has been compiled according to Code of Federal Regulations "Title 49, Part 575".

Tire information

■ Tire labeling

Many markings (e.g. Tire size, Tire Identification Number or TIN) are placed on the sidewall of a tire by tire manufacturers. These markings can provide you with useful information on the tire.

▼ Tire size

Your vehicle comes equipped with P-Metric tire size. It is important to understand the sizing system in selecting the proper tire for your vehicles. Here is a brief review of the tire sizing system with a breakdown of its individual elements.

▽ P Metric

With the P-Metric system, Section Width is measured in millimeters. To convert millimeters into inches, divide by 25.4. The Aspect Ratio (Section Height divided by Section Width) helps provide more dimensional information about the tire size.

Example:

$$\frac{\mathbf{P}}{(1)} \quad \frac{\mathbf{205}}{(2)} \quad / \quad \frac{\mathbf{55}}{(3)} \quad \frac{\mathbf{R}}{(4)} \quad \frac{\mathbf{16}}{(5)}$$

- (1) P = Certain tire type used on light duty vehicles such as passenger cars
- (2) Section Width in millimeters
- (3) Aspect Ratio (= section height ÷ section width).
- (4) R = Radial Construction
- (5) Rim diameter in inches

▽ Load and Speed Rating Descriptions

The load and speed rating descriptions will appear following the size designation.

They provide two important facts about the tire. First, the number designation is its load index. Second, the letter designation indicates the tire's speed rating.

Example:

P 205 / 55 R 16 89 V
 Size designation (6) (7)

(6) Load Index: A numerical code which specifies the maximum load a tire can carry at the speed indicated by its speed symbol, at maximum inflation pressure.

For example, "90" means 1,323 lbs (600 kg), "89" means 1,278 lbs (580 kg).

 **WARNING**

Load indices apply only to the tire, not to the vehicle. Putting a load rated tire on any vehicle does not mean the vehicle can be loaded up to the tire's rated load.

(7) Speed Rating: An alphabetical system describing a tire's capability to travel at established and predetermined speeds.

For example, "V" means 149 mph (240 km/h)

 **WARNING**

- **Speed ratings apply only to the tire, not to the vehicle. Putting a speed rated tire on any vehicle does not mean the vehicle can be operated at the tire's rated speed.**
- **The speed rating is void if the tires are worn out, damaged, repaired, retreaded, or otherwise altered from their original condition. If tires are repaired, retreaded, or otherwise altered, they may not be suitable for original equipment tire designed loads and speeds.**

▼ **Tire Identification Number (TIN)**

Tire Identification Number (TIN) is marked on the intended outboard sidewall. The TIN is composed of four groups. Here is a brief review of the TIN with a breakdown of its individual elements.

DOT XX XX XXX XXXX

(1) (2) (3) (4)

(1) Manufacturer's Identification Mark

(2) Tire Size

(3) Tire Type Code

(4) Date of Manufacture

The first two figures identify the week, starting with "01" to represent the first full week of the calendar year; the second two figures represent the year. For example, 0101 means the 1st week of 2001.

▼ **Other markings**

The following markings are also placed on the sidewall.

▽ **Maximum permissible inflation pressure**

The maximum cold inflation pressure to which this tire may be inflated. For example, "300 kPa (44 PSI) MAX. PRESS"

▽ **Maximum load rating**

The load rating at the maximum permissible weight load for this tire. For example, "MAX. LOAD 580 kg (1279 LBS) @ 300 kPa (44 PSI) MAX. PRESS."



Maximum load rating applies only to the tire, not to the vehicle. Putting a load rated tire on any vehicle does not mean the vehicle can be loaded up to the tire's rated load.

▽ **Construction type**

Applicable construction of this tire. For example, "TUBELESS STEEL BELTED RADIAL"

▽ **Construction**

The generic name of each cord material used in the plies (both sidewall and tread area) of this tire. For example, "PLIES: TREAD 2

STEEL + 2 POLYESTER SIDE-WALL 2 POLYESTER"

▽ **Uniform Tire Quality Grading (UTQG)**

For details, refer to "Uniform tire quality grading standards" ¶ 13-15.

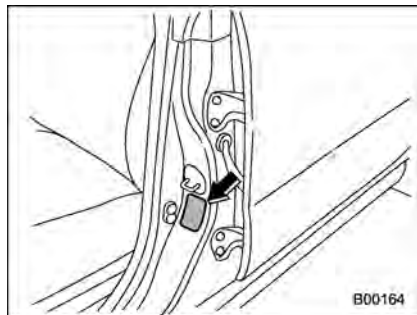
■ Recommended tire inflation pressure

▼ Recommended cold tire inflation pressure

Recommended cold tire inflation pressure for your vehicle's tires is as follows.

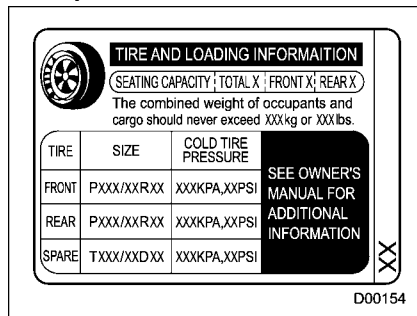
Tire size		P215/65R16 96H		P225/55R17 95H
Wheel size		16 × 6 ¹ / ₂ J	16 × 6 ¹ / ₂ JJ	17 × 7 JJ
Pressure	Front	30 psi (210 kPa, 2.1 kgf/cm ²)		32 psi (220 kPa, 2.2 kgf/cm ²)
	Rear	29 psi (200 kPa, 2.0 kgf/cm ²)		30 psi (210 kPa, 2.1 kgf/cm ²)
	Rear when towing trailer	35 psi (240 kPa, 2.4 kgf/cm ²)		36 psi (250 kPa, 2.5 kgf/cm ²)
Temporary spare tire	Size	T155/70 D17		
	Pressure	60 psi (420 kPa, 4.2 kgf/cm ²)		

▼ Vehicle placard

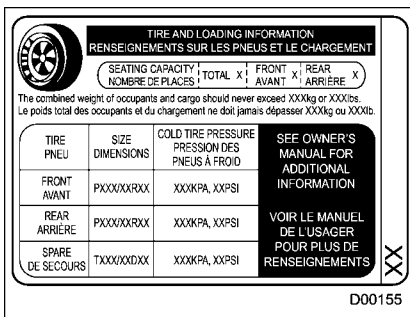


The vehicle placard is affixed to the driver's side B-pillar.

Example:



U.S.-spec. models



Canada-spec. models

The vehicle placard shows original tire size, recommended cold tire inflation pressure on each tire at maximum loaded vehicle weight, seating capacity and loading information.

▼ Adverse safety consequences of under-inflation

Driving at high speeds with excessively low tire pressures can cause the tires to flex severely and to rapidly become hot. A sharp increase in temperature could cause tread separation, and failure of the tire(s). Possible resulting loss of

vehicle control could lead to an accident.

▼ Measuring and adjusting air pressure to achieve proper inflation

Check and, if necessary, adjust the pressure of each tire (including the spare) at least once a month and before any long journey. Check the tire pressures when the tires are cold. Use a pressure gauge to adjust the tire pressures to the specific values. Driving even a short distance warms up the tires and increases the tire pressures. Also, the tire pressures are affected by the outside temperature. It is best to check tire pressure outdoors before driving the vehicle. When a tire becomes warm, the air inside it expands, causing the tire pressure to increase. Be careful not to mistakenly release air from a warm tire to reduce its pressure.

■ Glossary of tire terminology

● Accessory weight

The combined weight (in excess of those standard items which may be replaced) of automatic transmission, power steering, power brakes, power windows, power seats, radio, and heater, to the extent that these items are available as factory-installed equipment (whether installed or not).

● Bead

The part of the tire that is made of steel wires, wrapped or reinforced by ply cords and that is shaped to fit the rim.

● Bead separation

A breakdown of the bond between components in the bead.

● Bias ply tire

A pneumatic tire in which the ply cords that extend to the beads are laid at alternate angles substantially less than 90 degrees to the centerline of the tread.

● Carcass

The tire structure, except tread and

sidewall rubber which, when inflated, bears the load.

● Chunking

The breaking away of pieces of the tread or sidewall.

● Cold tire pressure

The pressure in a tire that has been driven less than 1 mile or has been standing for three hours or more.

● Cord

The strands forming the plies in the tire.

● Cord separation

The parting of cords from adjacent rubber compounds.

● Cracking

Any parting within the tread, sidewall, or inner liner of the tire extending to cord material.

● Curb weight

The weight of a motor vehicle with standard equipment including the maximum capacity of fuel, oil and coolant, and if so equipped, air conditioning and additional weight optional engine.

● Extra load tire

A tire designed to operate at higher loads and higher inflation pressure than the corresponding standard tire.

● Groove

The space between two adjacent tread ribs.

● Innerliner

The layer(s) forming the inside surface of a tubeless tire that contains the inflating medium within the tire.

● Innerliner separation

The parting of the innerliner from cord material in the carcass.

● Intended outboard sidewall

(1) The sidewall that contains a whitewall, bears white lettering or bears manufacturer, brand, and/or model name molding that is higher or deeper than the same molding on the other sidewall of the tire, or

(2) The outward facing sidewall of an asymmetrical tire that has a particular side that must always face outward when mount-

ing on a vehicle.

- **Light truck (LT) tire**

A tire designated by its manufacturer as primarily intended for use on lightweight trucks or multipurpose passenger vehicles.

- **Load rating**

The maximum load that a tire is rated to carry for a given inflation pressure.

- **Maximum inflation pressure**

The maximum cold inflation pressure to which a tire may be inflated.

- **Maximum load rating**

The load rating for a tire at the maximum permissible inflation pressure for that tire.

- **Maximum loaded vehicle weight**

The sum of:

- (a) Curb weight
- (b) Accessory weight
- (c) Vehicle capacity weight
- (d) Production options weight

- **Maximum permissible inflation pressure**

The maximum cold inflation pressure to which a tire may be inflated.

- **Measuring rim**

The rim on which a tire is fitted for physical dimension requirements.

- **Normal occupant weight**

150 lbs (68 kg) times the number of occupants specified in the second column of Table 1 that is appended to the end of this section.

- **Occupant distribution**

Distribution of occupants in a vehicle as specified in the third column of Table 1 that is appended to the end of this section.

- **Open splice**

Any parting at any junction of tread, sidewall, or innerliner that extends to cord material.

- **Outer diameter**

The overall diameter of an inflated new tire.

- **Overall width**

The linear distance between the exteriors of the sidewalls of an inflated tire, including elevations due to labeling, decorations, or protective bands or ribs.

- **Passenger car tire**

A tire intended for use on passenger cars, multipurpose passenger vehicles, and trucks, that have a gross vehicle weight rating (GVWR) of 10,000 lbs (4,535 kg) or less.

- **Ply**

A layer of rubber-coated parallel cords.

- **Ply separation**

A parting of rubber compound between adjacent plies.

- **Pneumatic tire**

A mechanical device made of rubber, chemicals, fabric and steel or other materials, that, when mounted on an automotive wheel, provides the traction and contains the gas or fluid that sustains the load.

- **Production options weight**

The combined weight of those installed regular production options weighing over 5.1 lbs (2.3 kg) in excess of those standard items which they replace, not previously considered in curb weight or acces-

sory weight, including heavy duty brakes, ride levelers, roof rack, heavy duty battery, and special trim.

- **Radial ply tire**

A pneumatic tire in which the ply cords that extend to the beads are laid at substantially 90 degrees to the centerline of the tread.

- **Recommended inflation pressure**

The cold inflation pressure recommended by a vehicle manufacturer.

- **Reinforced tire**

A tire designed to operate at higher loads and at higher inflation pressures than the corresponding standard tire.

- **Rim**

A metal support for a tire or a tire and tube assembly upon which the tire beads are seated.

- **Rim diameter**

Nominal diameter of the bead seat.

- **Rim size designation**

Rim diameter and width.

- **Rim type designation**

The industry of manufacturer's designation for a rim by style or code.

- **Rim width**

Nominal distance between rim flanges.

- **Section width**

The linear distance between the exteriors of the sidewalls of an inflated tire, excluding elevations due to labeling, decoration, or protective bands.

- **Sidewall**

That portion of a tire between the tread and bead.

- **Sidewall separation**

The parting of the rubber compound from the cord material in the sidewall.

- **Test rim**

The rim on which a tire is fitted for testing, and it may be any rim listed as appropriate for use with that tire.

- **Tread**

That portion of a tire that comes into contact with the road.

- **Tread rib**

A tread section running circumferentially around a tire.

- **Tread separation**

Pulling away of the tread from the tire carcass.

- **Treadwear indicators (TWI)**

The projections within the principal grooves designed to give a visual indication of the degrees of wear of the tread.

- **Vehicle capacity weight**

The rated cargo and luggage load plus 150 lbs (68 kg) times the vehicle's designated seating capacity.

- **Vehicle maximum load on the tire**

Load on an individual tire that is determined by distributing to each axle its share of the maximum loaded vehicle weight and dividing by two.

- **Vehicle normal load on the tire**

Load on an individual tire that is determined by distributing to each axle its share of the curb weight,

accessory weight, and normal occupant weight (distributed in accordance with Table 1 that is appended to the end of this section) and dividing by 2.

- **Wheel-holding fixture**

The fixture used to hold the wheel and tire assembly securely during testing.

Table 1 — Occupant loading and distribution for vehicle normal load for various designated seating capacities

Designated seating capacity, number of occupants	Vehicle normal load, number of occupants	Occupant distribution in a normally loaded vehicle
2 through 4	2	2 in front.
5 through 10	3	2 in front, 1 in second seat.
11 through 15	5	2 in front, 1 in second seat, 1 in third seat, 1 in fourth seat.
16 through 22	7	2 in front, 2 in second seat, 2 in third seat, 1 in fourth seat.

■ Tire care – maintenance and safety practices

- Check on a daily basis that the tires are free from serious damage, nails, and stones. At the same time, check the tires for abnormal wear.
- Inspect the tire tread regularly and replace the tires before their tread wear indicators become visible. When a tire's tread wear indicator becomes visible, the tire is worn beyond the acceptable limit and must be replaced immediately. With a tire in this condition, driving at even low speeds in wet weather can cause the vehicle to hydroplane. Possible resulting loss of vehicle control can lead to an accident.
- To maximize the life of each tire and ensure that the tires wear uniformly, it is best to rotate the tires every 7,500 miles (12,000 km). For information about the tire rotation order, refer to "Tire rotation" ☞ 11-36.

Replace any damaged or un-

evenly worn tires at the time of rotation. After tire rotation, adjust the tire pressures and make sure the wheel nuts are correctly tightened. For information about the tightening torque and tightening sequence for the wheel nuts, refer to "Flat tires" ☞ 9-6.

■ Vehicle load limit – how to determine

The load capacity of your vehicle is determined by weight, not by available cargo space. The load limit of your vehicle is shown on the vehicle placard attached to the driver's side B-pillar. Locate the statement "The combined weight of occupants and cargo should never exceed XXX kg or XXX lbs" on your vehicle's placard.

The vehicle placard also shows seating capacity of your vehicle.

The total load capacity includes the total weight of driver and all passengers and their belongings, any cargo, any optional equipment such

as a trailer hitch, roof rack or bike carrier, etc., and the tongue load of a trailer. Therefore cargo capacity can be calculated by the following method.

Cargo capacity = Load limit – (total weight of occupants + total weight of optional equipment + tongue load of a trailer (if applicable))

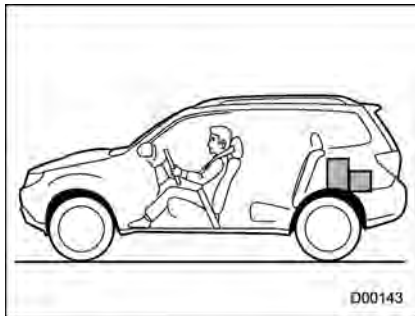
For information about vehicle loading, refer to "Loading your vehicle" ☞ 8-11.

For information about towing capacity and weight limits, refer to "Trailer towing" ☞ 8-17.

▼ Calculating total and load capacities varying seating configurations

Calculate the available load capacity as shown in the following examples:

Example 1A



Vehicle capacity weight of the vehicle is 900 lbs (408 kg), which is indicated on the vehicle placard with the statement “The combined weight of occupants and cargo should never exceed 900 lbs or 408 kg”.

For example, if the vehicle has one occupant weighing 154 lbs (70 kg) plus cargo weighing 662 lbs (300 kg).

1. Calculate the total weight.

Total weight

$$= \frac{154 \text{ lbs (70 kg)}}{\text{(Occupant)}} + \frac{662 \text{ lbs (300 kg)}}{\text{(Cargo)}}$$

$$= \mathbf{816 \text{ lbs (370 kg)}}$$

2. Calculate the available load capacity by subtracting the total weight from the vehicle capacity weight of 900 lbs (408 kg).

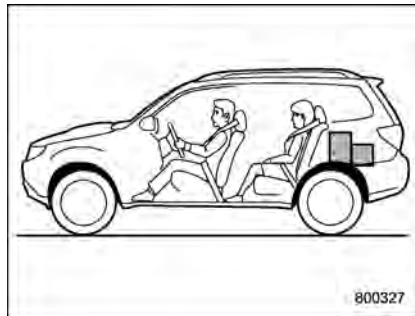
Available Load Capacity

$$= \frac{900 \text{ lbs (408 kg)}}{\text{(Vehicle capacity weight)}} - \frac{816 \text{ lbs (370 kg)}}{\text{(Total weight)}}$$

$$= \mathbf{84 \text{ lbs (38 kg)}}$$

3. The result of step 2 shows that a further 84 lbs (38 kg) of cargo can be carried.

Example 1B



For example, if a person weighing 176 lbs (80 kg) now enters the same vehicle (bringing the number of occupants to two), the calculations are as follows.

1. Calculate the total weight.

Total weight

$$= \frac{154 \text{ lbs (70 kg)}}{\text{(Occupant)}} + \frac{176 \text{ lbs (80 kg)}}{\text{(Occupant)}}$$

$$+ \frac{662 \text{ lbs (300 kg)}}{\text{(Cargo)}}$$

$$= \mathbf{992 \text{ lbs (450 kg)}}$$

2. Calculate the available load capacity.

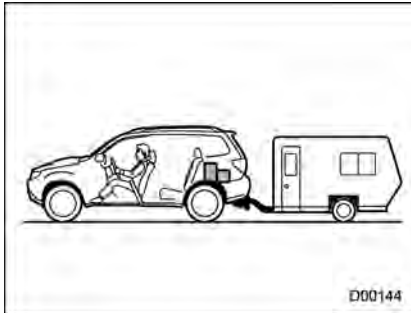
Available Load Capacity

$$= \frac{900 \text{ lbs (408 kg)}}{\text{(Vehicle capacity weight)}} - \frac{992 \text{ lbs (450 kg)}}{\text{(Total weight)}}$$

$$= \mathbf{-92 \text{ lbs (-42 kg)}}$$

3. The total weight now exceeds the capacity weight by 92 lbs (42 kg), so the cargo weight must be reduced by 92 lbs (42 kg) or more.

Example 2A



Vehicle capacity weight of the vehicle is 900 lbs (408 kg), which is indicated on the vehicle placard

with the statement “The combined weight of occupants and cargo should never exceed 408 kg or 900 lbs”.

For example, the vehicle has one occupant weighing 165 lbs (75 kg) plus cargo weighing 375 lbs (170 kg). In addition, the vehicle is fitted with a trailer hitch weighing 22 lbs (10 kg), to which is attached a trailer weighing 1,764 lbs (800 kg). 10% of the trailer weight is applied to the trailer tongue (i.e. Tongue load = 176 lbs (80 kg)).

1. Calculate the total weight.

Total weight

$$= \frac{165 \text{ lbs (75 kg)}}{\text{(Occupant)}} + \frac{375 \text{ lbs (170 kg)}}{\text{(Cargo)}}$$

$$+ \frac{22 \text{ lbs (10 kg)}}{\text{(Trailer hitch)}} + \frac{176 \text{ lbs (80 kg)}}{\text{(Tongue load)}}$$

$$= \mathbf{738 \text{ lbs (335 kg)}}$$

2. Calculate the available load capacity.

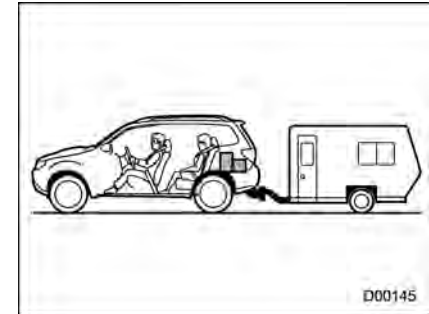
Available Load Capacity

$$= \frac{900 \text{ lbs (408 kg)}}{\text{(Vehicle capacity weight)}} - \frac{738 \text{ lbs (335 kg)}}{\text{(Total weight)}}$$

$$= \mathbf{162 \text{ lbs (73 kg)}}$$

3. The result of step 2 shows that a further 162 lbs (73 kg) of cargo can be carried.

Example 2B



For example, if a person weighing 143 lbs (65 kg) and a child weighing 40 lbs (18 kg) now enter the same vehicle (bringing the number of

occupants to three), and a child restraint system weighing 11 lbs (5 kg) is installed in the vehicle for the child to use, the calculations are as follows.

1. Calculate the total weight.

Total weight

$$\begin{aligned}
 &= \frac{165 \text{ lbs (75 kg)} + 143 \text{ lbs (65 kg)}}{\text{(Occupant)}} \\
 &+ \frac{40 \text{ lbs (18 kg)}}{\text{(Occupant)}} \\
 &+ \frac{11 \text{ lbs (5 kg)}}{\text{(Child restraint)}} + \frac{375 \text{ lbs (170 kg)}}{\text{(Cargo)}} \\
 &+ \frac{22 \text{ lbs (10 kg)}}{\text{(Trailer hitch)}} + \frac{176 \text{ lbs (80 kg)}}{\text{(Tongue load)}} \\
 &= \mathbf{932 \text{ lbs (423 kg)}}
 \end{aligned}$$

2. Calculate the available load capacity.

Available Load Capacity

$$\begin{aligned}
 &= \frac{900 \text{ lbs (408 kg)}}{\text{(Vehicle capacity weight)}} - \frac{932 \text{ lbs (423 kg)}}{\text{(Total weight)}} \\
 &= \mathbf{-32 \text{ lbs (-15 kg)}}
 \end{aligned}$$

3. The total weight now exceeds the capacity weight by 32 lbs (15 kg), so the cargo weight must be reduced by 32 lbs (15 kg) or more.

■ **Determining compatibility of tire and vehicle load capacities**

The sum of four tires' maximum load ratings must exceed the maximum loaded vehicle weight ("GVWR"). In addition, sum of the maximum load ratings of two front tires and of two rear tires must exceed each axle's maximum loaded capacity ("GAWR"). Original equipment tires are designed to fulfill those conditions.

The maximum loaded vehicle weight is referred to Gross Vehicle Weight Rating (GVWR). And each axle's maximum loaded capacity is referred to Gross Axle Weight Rating (GAWR). The GVWR and each axle's GAWR are shown on the vehicle certification label affixed to the driver's door.

The GVWR and front and rear GAWRs are determined by not only the maximum load rating of tires but also loaded capacities of the vehicle's suspension, axles and other parts of the body.

Therefore, this means that the vehicle cannot necessarily be loaded up to the tire's maximum load rating on the tire sidewall.

■ **Adverse safety consequences of overloading on handling and stopping and on tires**

Overloading could affect vehicle handling, stopping distance, and vehicle and tire performance in the following ways. This could lead to an accident and possibly result in severe personal injury.

- Vehicle stability will deteriorate.
- Heavy and/or high-mounted loads could increase the risk of rollover.
- Stopping distance will increase.
- Brakes could overheat and fail.

- Suspension, bearings, axles and other body parts could break or experience accelerated wear that will shorten vehicle life.
- Tires could fail.
- Tread separation could occur.
- Tire could separate from its rim.

■ Steps for Determining Correct Load Limit

1. Locate the statement "The combined weight of occupants and cargo should never exceed XXX pounds" on your vehicle's placard.
2. Determine the combined weight of the driver and passengers that will be riding in your vehicle.
3. Subtract the combined weight of the driver and passengers from XXX kilograms or XXX pounds.
4. The resulting figure equals the available amount of cargo and luggage load capacity. For example, if the "XXX" amount equals 1,400 lbs (635 kg) and there will be five- 150 lbs (68 kg) passengers in your vehicle, the amount of avail-

able cargo and luggage load capacity is 650 lbs. (1,400 - 750 (5 × 150) = 650 lbs)

5. Determine the combined weight of luggage and cargo being loaded on the vehicle. That weight may not safely exceed the available cargo and luggage load capacity calculated in Step 4.

6. If your vehicle will be towing a trailer, load from your trailer will be transferred to your vehicle. Consult this manual to determine how this reduces the available cargo and luggage load capacity of your vehicle.

Uniform tire quality grading standards

This information indicates the relative performance of passenger car tires in the area of treadwear, traction, and temperature resistance. This is to aid the consumer in making an informed choice in the purchase of tires.

Quality grades can be found where applicable on the tire sidewall between tread shoulder and maximum section width. For example:

Treadwear 200 Traction AA Temperature A

The quality grades apply to new pneumatic tires for use on passenger cars. However, they do not apply to deep tread, winter type snow tires, space-saver or temporary use spare tires, tires with nominal rim diameters of 12 inches or less, or to some limited production tires.

All passenger car tires must con-

form to Federal Safety Requirements in addition to these grades.

■ Treadwear

The treadwear grade is a comparative rating based on the wear rate of the tire when tested under controlled conditions on a specified government test course.

For example, a tire graded 150 would wear one and one-half (1-1/2) times as well on the government course as a tire graded 100. The relative performance of tires depends upon the actual conditions of their use, however, and may depart significantly from the norm due to variations in driving habits, service practices and differences in road characteristics and climate.

■ Traction AA, A, B, C

The traction grades, from highest to lowest, are AA, A, B and C. Those grades represent the tire's ability to stop on wet pavement as measured under controlled conditions on spe-

cified government test surfaces of asphalt and concrete. A tire marked C may have poor traction performance.



WARNING

The traction grade assigned to this tire is based on straight-ahead braking traction tests, and does not include acceleration, cornering, hydroplaning, or peak traction characteristics.

■ Temperature A, B, C

The temperature grades are A (the highest), B, and C, representing the tire's resistance to the generation of heat and its ability to dissipate heat when tested under controlled conditions on a specified indoor laboratory test wheel. Sustained high temperature can cause the material of the tire to degenerate and reduce tire life, and excessive temperature can lead to sudden tire failure. The

grade C corresponds to a level of performance which all passenger car tires must meet under the Federal Motor Vehicle Safety Standards No. 109. Grades B and A represent higher levels of performance on the laboratory test wheel than the minimum required by law.



WARNING

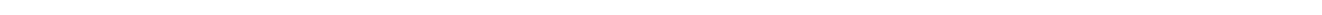
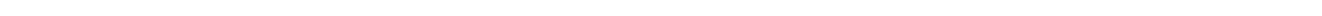
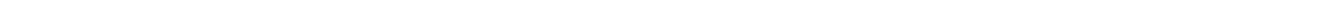
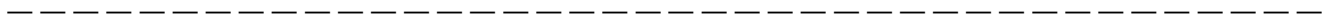
The temperature grade for this tire is established for a tire that is properly inflated and not overloaded. Excessive speed, underinflation, or excessive loading, either separately or in combination, can cause heat buildup and possible tire failure.

Reporting safety defects (U.S.A.)

If you believe that your vehicle has a defect which could cause a crash or could cause injury or death, you should immediately inform the National Highway Traffic Safety Administration (NHTSA) in addition to notifying Subaru of America, Inc.

If NHTSA receives similar complaints, it may open an investigation, and if it finds that a safety defect exists in a group of vehicles, it may order a recall and remedy campaign. However, NHTSA cannot become involved in individual problems between you, your dealer, or Subaru of America, Inc. To contact NHTSA, you may call the Vehicle Safety Hotline toll-free at 1-888-327-4236 (TTY: 1-800-424-9153); go to <http://www.safercar.gov>; or write to: Administrator, NHTSA, 400 Seventh Street, SW., Washington,

DC 20590. You can also obtain other information about motor vehicle safety from <http://www.safercar.gov>.



A

ABS (Anti-lock Brake System)	7-24
Warning light	3-16, 7-25
Accessories	5-4, 11-47
Accessory power outlet	6-9
Active head restraint	1-5
Air cleaner element	11-15
Air conditioner	4-7, 4-10
Air filtration system	4-13
Air flow selection	4-2
Alarm system	2-14
All-Wheel Drive warning light	3-18
Aluminum wheel cleaning	10-3
Aluminum wheels	11-38
Antenna system	5-2
Anti-lock Brake System (ABS)	7-24
Arming the system	2-15
Armrest	1-7
Ashtray	6-11
AT OIL TEMP warning light	3-14
Audio control button	5-26
Audio set	5-5
Auto-dimming mirror/compass	3-33
Automatic climate control system	4-8
Automatic headlight beam leveler	3-27
Warning light	3-18
Automatic transmission	7-16
Capacities	12-4
Fluid	11-20
MANUAL mode	7-19
Selector lever	7-17

Shift lock release	7-22
SPORT mode	7-21
Temperature warning light (AT OIL TEMP)	3-14
Automatic/Emergency Locking Retractor (A/ELR)	1-12
AUX unit operation	5-25

B

Battery	11-44
Drainage prevention function	2-5
Jump starting	9-10
Replacement (remote keyless entry system)	2-10
Booster seat	1-29
Bottle holder	6-9
Brake	
Assist	7-24
Booster	7-23, 11-27
Fluid	11-25
Pad and lining	11-30
Parking	7-33, 11-30
Pedal	11-28
System	7-23
Brake pedal	
Free play	11-28
Reserve distance	11-28
Brake system	7-23
Warning light	3-17
Braking	7-23
Tips	7-23
Breaking-in of new brake pads and linings	11-30
Bulb	
Chart	12-10

- Replacing..... 11-47
- C**
- Capacities 12-4
- Cargo area
 - Cover 6-13
 - Light..... 6-3
 - Tie-down hooks 6-15
- Catalytic converter 8-3
- Center
 - Console 6-5
 - Ventilators 4-3
- Center and side ventilators..... 4-3
- Changing
 - Flat tire 9-6
 - Oil and oil filter 11-9
- Charge warning light 3-14
- CHECK ENGINE warning light/Malfunction indicator lamp..... 3-12
- Checking
 - Brake pedal free play 11-28
 - Brake pedal reserve distance 11-28
 - Clutch function..... 11-28
 - Clutch pedal free play..... 11-29
 - Engine oil level 11-8
 - Fluid level 11-20, 11-24, 11-25, 11-26
 - Gear oil level 11-22
 - Manual transmission oil level 11-19
- Child restraint systems 1-23
 - Installation with A/ELR seatbelt 1-26
 - Lower and tether anchorages 1-30
 - Top tether anchorages 1-33
- Child safety 5
 - Locks..... 2-19
- Chime
 - Key..... 3-5
 - Seatbelt..... 1-12, 3-10
- Cleaning
 - Aluminum wheels 10-3
 - Interior 10-5
 - Ventilation grille..... 4-12
- Climate control system
 - Automatic..... 4-8
 - Manual..... 4-3
- Clock 3-22
- Clutch
 - Fluid 11-26
 - Pedal 11-28
- Coat hook..... 6-13
- Coin tray 6-7
- Coolant 11-13
- Coolant temperature high warning light..... 3-13
- Coolant temperature low indicator light..... 3-13
- Cooling system 11-12
- Corrosion protection..... 10-4
- Cruise control 7-36
 - Indicator light 3-21, 7-39
 - Set indicator light..... 3-21, 7-39
- Cup holder 6-8
 - Front passenger's..... 6-8
 - Rear passenger's 6-8

D

Daytime running light system.....	3-27
Defogger.....	3-35
Deicer.....	3-35
Differential gear oil	
Front.....	11-21
Rear.....	11-22
Dimensions.....	12-2
Disarming the alarm system.....	2-17
Disc brake pad wear warning indicators.....	7-24
Dome light.....	6-2
Door	
Locks.....	2-4
Open warning light.....	3-18
Drive belts.....	11-18
Driving	
All-Wheel Drive warning light.....	3-18
Car phone/cell phone.....	7
Drinking.....	6
Drugs.....	6
Foreign countries.....	8-4
Pets.....	7
Snowy and icy roads.....	8-9
Tips.....	7-16, 8-2, 8-5
Tired or sleepy.....	7

E

Electrical system.....	12-3
Electronic Brake Force Distribution (EBD) system.....	3-17, 7-26
Emergency Locking Retractor (ELR).....	1-12

Engine

Compartment overview.....	11-6
Coolant.....	11-13
Exhaust gas (carbon monoxide).....	5, 8-2
Hood.....	11-5
Oil.....	11-8
Overheating.....	9-12
Starting.....	7-8
Stopping.....	7-10
Exterior care.....	10-2

F

Flat tires.....	9-6
Floor mat.....	6-12
Fluid level	
Automatic transmission.....	11-20
Brake.....	11-25
Clutch.....	11-26
Power steering.....	11-24
Fog light	
Indicator light.....	3-21
Switch.....	3-28
Folding mirror switch.....	3-35
Front	
Differential gear oil.....	11-21
Fog light indicator light.....	3-21
Seatbelt pretensioners.....	1-20
Seats.....	1-2
Turn signal light.....	11-50
Front fog light.....	3-28

- Front seats
 - Forward and backward adjustment..... 1-3
 - Power seat..... 1-4
 - Reclining..... 1-3
 - Seat height adjustment (driver's seat)..... 1-4
- Fuel 7-3
 - Consumption indicator 3-22
 - Economy hints..... 8-2
 - Filler lid and cap 7-4
 - Gauge 3-8
 - Requirements 7-3
- Fuses 11-45
- Fuses and circuits 12-6

- G**
- GAWR (Gross Axle Weight Rating) 8-13
- Glove box 6-5
- GVWR (Gross Vehicle Weight Rating) 8-13

- H**
- Hazard warning flasher 3-5, 9-2
- Head restraint adjustment
 - Front seat 1-5
 - Rear seat..... 1-8
- Headlight
 - Beam lever 3-27
 - Flasher 3-26
 - Indicator light..... 3-21
- Headlights..... 3-26, 11-47
- Heater operation (manual climate control system) 4-5
- High beam indicator light 3-21
- High/low beam change (dimmer) 3-26
- Hill start assist (MT vehicles) 7-35, 11-29
- Hill start assist warning light 3-18, 7-36
- Horn 3-38
- Hose and connections..... 11-12

- I**
- Ignition switch 3-3
 - Light 3-5
- Illuminated entry 2-9
- Illumination brightness control 3-28
- Immobilizer 2-2
 - Indicator light 2-3
 - Indicator light (security indicator light)..... 3-20
- Indicator light
 - Coolant temperature low..... 3-13
 - Cruise control 3-21, 7-39
 - Cruise control set 3-21, 7-39
 - Front fog light..... 3-21
 - Headlight..... 3-21
 - High beam..... 3-21
 - Immobilizer 2-3
 - Security..... 3-20
 - Selector lever/Gear position 3-21
 - SPORT mode 3-20
 - Traction control system OFF 3-19
 - Turn signal 3-21
 - Vehicle Dynamics Control OFF..... 3-20, 7-29
 - Vehicle Dynamics Control operation..... 3-19, 7-29
- Information display..... 3-22
- Inside mirror 3-32

Interior lights 6-2

J

Jack and jack handle..... 9-5

Jack-up point..... 9-6

Jump starting..... 9-10

K

Key

 Number 2-2

 Reminder chime..... 3-5

 Replacement 2-4

Keyless entry system 2-7

Keys 2-2

L

Leather seat materials 10-5

License plate light..... 11-51

Light

 Cargo area..... 6-3

 Control switch..... 3-25

 Dome 6-2

 Front fog 3-28

 Ignition switch..... 3-5

 License plate..... 11-51

 Map 6-3

 Rear combination..... 11-50

Loading your vehicle 8-11

Low fuel warning light..... 3-8, 3-18

Low tire pressure warning light 3-15

Lower and tether anchorage 1-30

M

Main fuse 11-46

Maintenance

 Precautions 11-3

 Schedule..... 11-3

 Seatbelt..... 1-20

 Tools..... 9-4

Malfunction indicator lamp (check engine warning light)... 3-12

Manual

 Climate control system 4-3

 Seat..... 1-3

 Transmission 7-15

 Transmission oil 11-19

Map light 6-3

Maximum load limits 8-18

Meters and gauges..... 3-5

Mirror defogger 3-35

Mirrors 3-32

Moonroof..... 2-23

N

New vehicle break-in driving 8-2

O

Odometer/Trip meter..... 3-6

Oil filter 11-9

Oil level

 Engine 11-8

 Front differential gear 11-21

Manual transmission.....	11-19
Rear differential	11-22
Oil pressure warning light.....	3-14
On-pavement and off-road driving	8-6
Outside	
Mirror defogger.....	3-35
Mirrors.....	3-34, 3-35
Temperature indicator	3-23
Overhead console.....	6-7
Overheating engine.....	9-12

P

Parking	
Brake	7-33
Brake stroke.....	11-30
Tips.....	7-33
Parking your vehicle.....	7-33
Periodic inspections	8-4
Petrol fuel	7-3
Power	
Door locking switch.....	2-6
Outside mirrors	3-35
Seat	1-4
Steering.....	7-23
Steering fluid	11-24
Windows.....	2-20
Precautions against vehicle modification	1-23, 1-60
Preparing to drive	7-8

R

Rear	
Combination lights	11-50
Gate	2-22, 9-17
Seats.....	1-7
Rear differential	
Gear oil.....	11-22
Rear seat	
Center table.....	6-7
Folding down	1-10
Reclining	1-9
Rear turn signal.....	11-50
Rear window	
Defogger	3-35
Wiper and washer switch.....	3-32
Wiper blades.....	11-42
Recommended	
Automatic transmission fluid.....	11-21
Brake fluid	11-26
Clutch fluid	11-27
Engine oil.....	11-11, 11-12
Front differential gear oil.....	11-22
Manual transmission oil.....	11-20
Power steering fluid	11-25
Rear differential gear oil	11-23
Spark plugs.....	11-18
Refueling.....	7-4
Remote engine start system	7-11
Remote keyless entry system	2-7
Replacement	
Brake pad and lining.....	11-29

Wiper blades	11-40
Replacing	
Air cleaner element	11-16
Battery (remote keyless entry system)	2-10
Lost transmitters (remote keyless entry system)	2-11
Replacing bulbs	11-47
Cargo area light	11-51
Dome light	11-51
Door step light	11-51
Front turn signal light	11-50
Headlight	11-47
License plate light	11-51
Map light	11-51
Position light	11-50
Rear combination light	11-50
Rocking the vehicle	8-11
Roof molding and crossbar	8-14
Roof rails	8-13

S

Safety	
Precautions when driving	4
Symbol	2
Warnings	2
Seat	
Fabric	10-5
Heater	1-6
Seat height adjustment	1-4
Seatbelt	4
Maintenance	1-20
Pretensioners	1-20

Safety tips	1-11
Warning light and chime	1-12, 3-10
Seatbelts	1-11
Security ID plate	2-3
Security indicator light	3-20
Selector lever	7-17
Position indicator	3-21
Shift lock release	7-22
Shock sensors	2-19
Shopping bag hook	6-12
Snow tires	8-10, 11-31
Snowy and icy roads	8-9
Sounding a panic alarm	2-10
Spark plugs	11-18
Specifications	12-2
Speedometer	3-6
SPORT mode	7-21
SPORT mode indicator light	3-20
SRS	
Curtain airbag	1-49
Frontal airbag	1-38
Side airbag	1-49
SRS airbag (Supplemental Restraint System airbag) ...	4, 1-34
SRS airbag system	
Monitors	1-59
Servicing	1-59
Warning light	3-11
Starting the engine	7-8
State emission testing (U.S. only)	7-7
Steering wheel	
Power	7-23

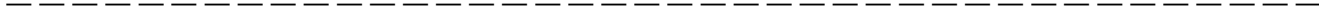
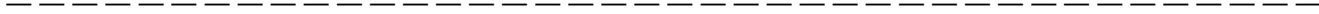
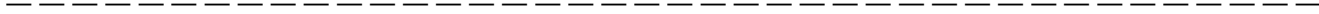
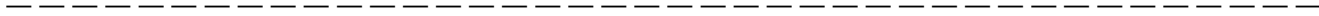
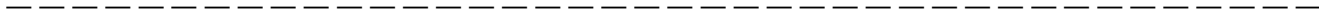
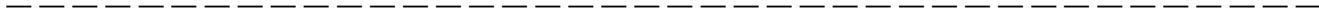
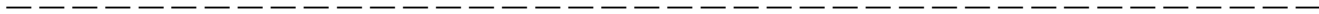
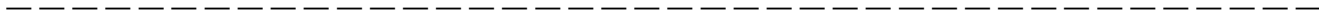
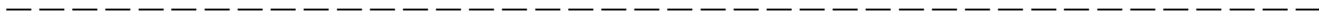
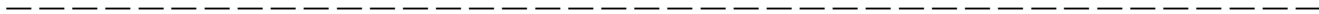
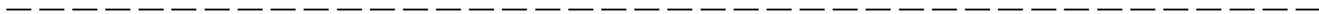
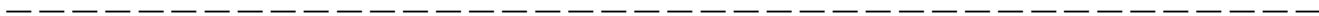
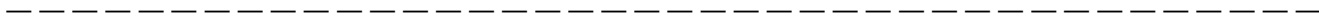
- Tilt 3-37
 - Tilt/telescopic..... 3-38
 - Stopping the engine 7-10
 - Storage compartment 6-5
 - Sun shade 2-25
 - Sun visors..... 6-4
 - Supplemental Restraint System airbag (SRS)..... 1-34
 - Synthetic leather upholstery 10-5
- T**
- Tachometer 3-8
 - Temperature warning light
 - AT OIL TEMP 3-14
 - Temporary spare tire 9-2
 - Tether (child restraint system)..... 1-30, 1-33
 - Tie-down hooks 9-13
 - Tilt steering wheel 3-37
 - Tire
 - Chains 8-11
 - Inspection 11-33
 - Pressures and wear 11-33
 - Replacement 11-37
 - Rotation 11-36
 - Types 11-31
 - Tire pressure monitoring system (TPMS)..... 3-15, 7-32, 9-9, 11-31
 - Tires..... 12-5
 - Tires and wheels..... 11-31
 - Tools 9-4
 - Top tether anchorages 1-30, 1-33
 - Towing..... 9-12
- All wheels on the ground..... 9-16
 - Flat-bed truck..... 9-15
 - Tie-down hooks..... 9-13
 - Weight 8-18
 - Traction Control system
 - OFF indicator light 3-19
 - Trailer
 - Connecting 8-16
 - Hitch 8-15
 - Hitches..... 8-21
 - Towing 8-17
 - Towing tips 8-23
 - Trip meter..... 3-6
 - Turn signal
 - Indicator lights..... 3-21
 - Lever 3-27
- U**
- Under-floor storage compartment..... 6-16
- V**
- Valet mode 2-17
 - Vanity mirror 6-5
 - Vehicle
 - Capacity weight..... 8-12
 - Identification 12-13
 - Symbols 3
 - Vehicle Dynamics Control
 - OFF indicator light 7-29
 - OFF switch 7-31
 - Operation indicator light..... 3-19, 7-29

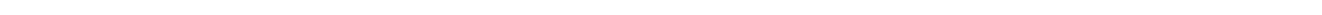
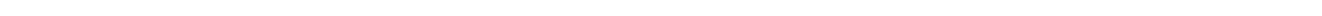
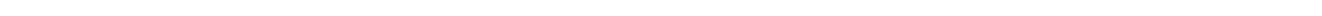
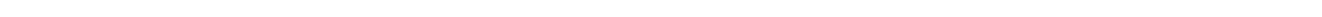
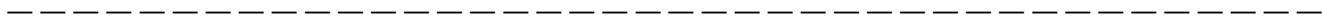
System	7-27
Warning light	3-19, 7-29
Ventilator	4-2

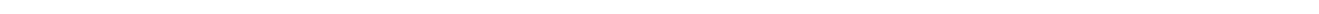
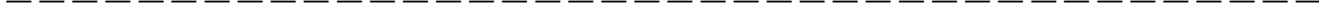
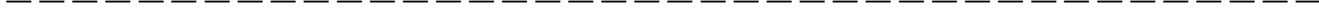
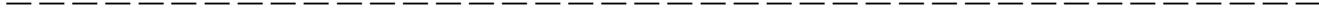
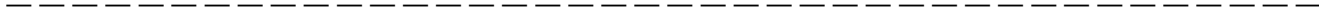
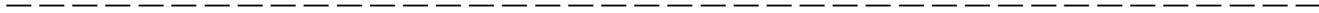
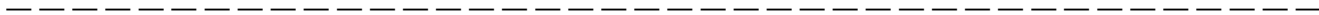
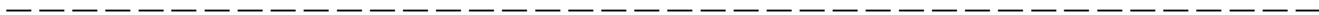
W

Warning and indicator lights	3-9
Warning light	
ABS	3-16, 7-25
All-Wheel Drive	3-18
AT OIL TEMP	3-14
Automatic headlight beam leveler	3-18
Brake system	3-17
Charge	3-14
CHECK ENGINE	3-12
Coolant temperature high	3-13
Door open	3-18
Hill start assist	3-18, 7-36
Low fuel	3-8, 3-18
Low tire pressure	3-15
Oil pressure	3-14
Seatbelt	1-12, 3-10
SRS airbag system	3-11
Vehicle Dynamics Control	3-19, 7-29, 7-30
Warranties	1
Warranties and maintenance	8-17
Washing	10-2
Waxing and polishing	10-3
Wear indicators	11-35
Wheel	
Alignment	12-5
Aluminum	11-38

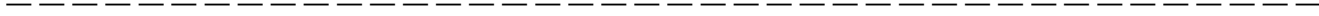
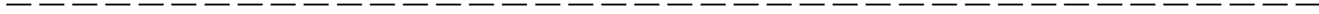
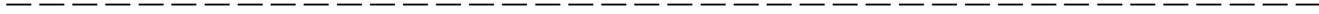
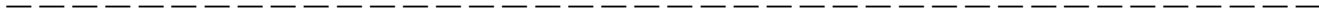
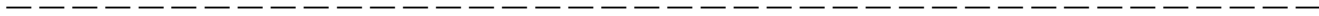
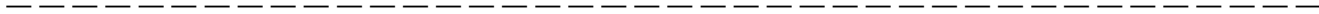
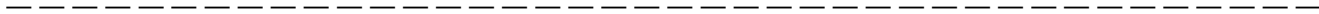
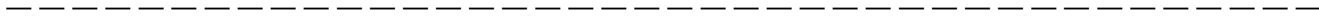
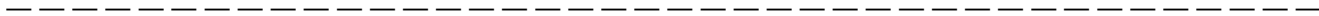
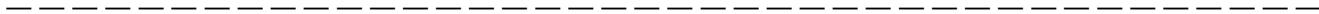
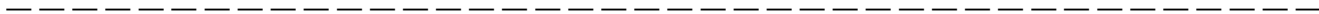
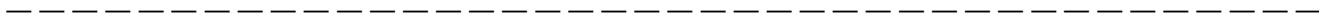
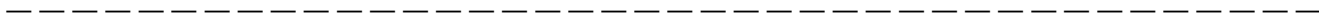
Balance	11-35
Covers	11-38
Replacement	11-37
Windows	2-20
Windshield	
Washer fluid	11-39
Wiper and washer switches	3-30
Wiper blades	11-41
Wiper deicer	3-35
Winter	
Driving	8-8
Tires	8-10, 11-31
Wiper and washer	3-29
Wiper deicer	3-35

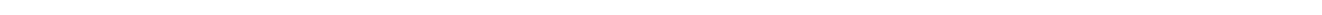
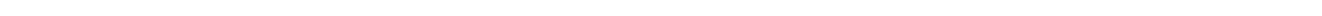
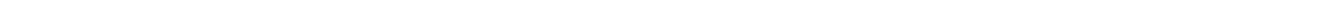
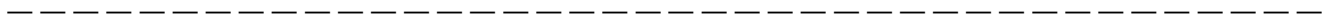


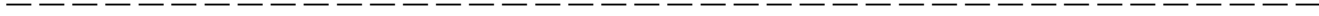
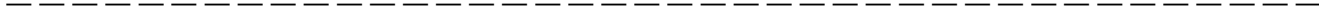
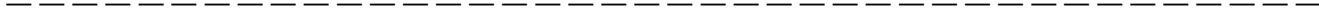
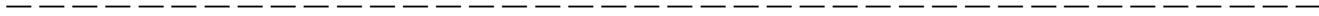
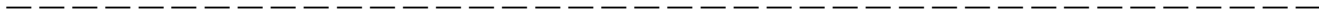
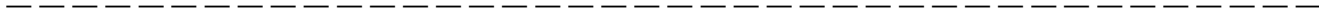
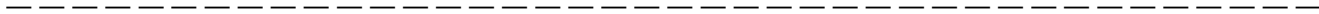
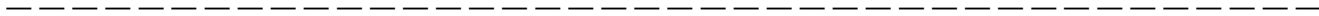
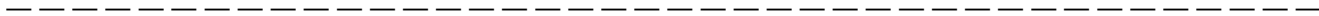
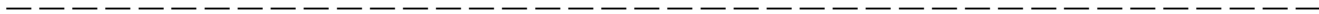
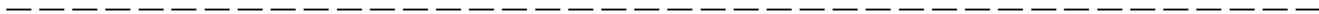
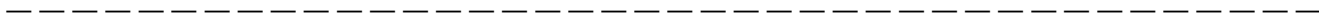
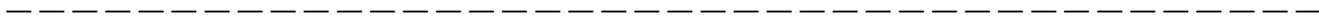












U.S. Compass Calibration Zones

