

# Identification

## IDENTIFICATION

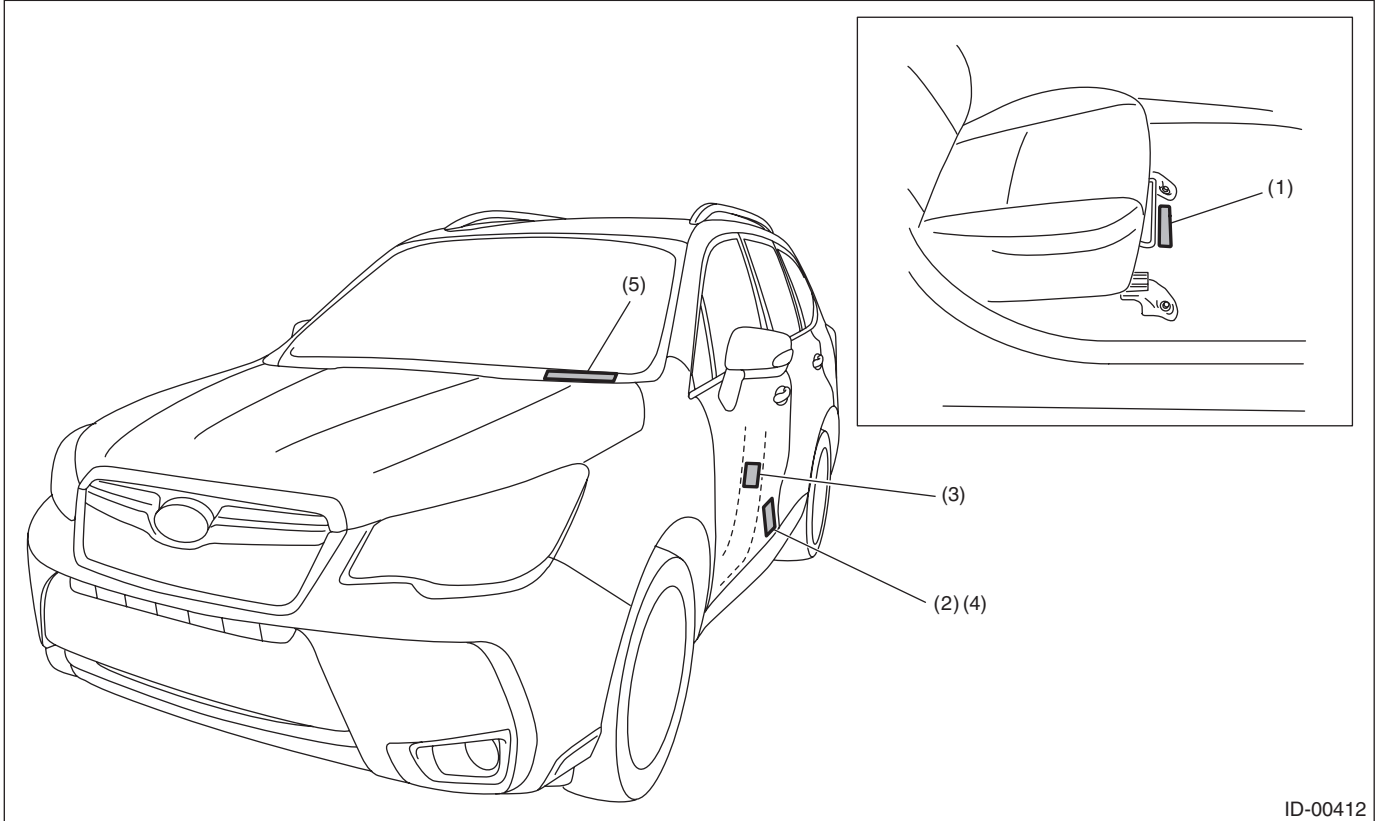
### 1. Identification

#### A: IDENTIFICATION

##### 1. IDENTIFICATION NUMBER AND LABEL LOCATIONS

The V.I.N. (Vehicle Identification Numbers) is used to classify the vehicle.

- Positioning of the plate label for identification



ID-00412

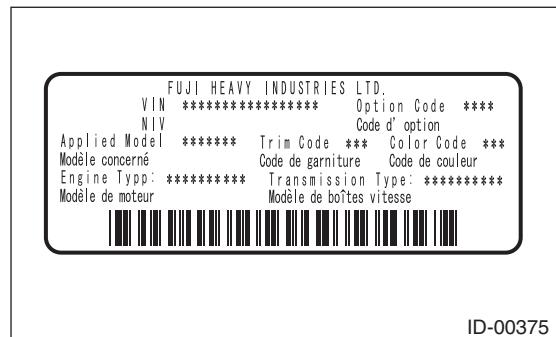
- |   |  |  |
|---|--|--|
| (1) Vehicle identification number (V.I.N.) (below right front floor carpet) | (3) Tire inflation pressure label                          | (5) Vehicle identification number (V.I.N.) plate |
| (2) MVSS/CMVSS label (attached to left side of vehicle)                     | (4) Model number label (attached to right side of vehicle) |  |

- MVSS/CMVSS label



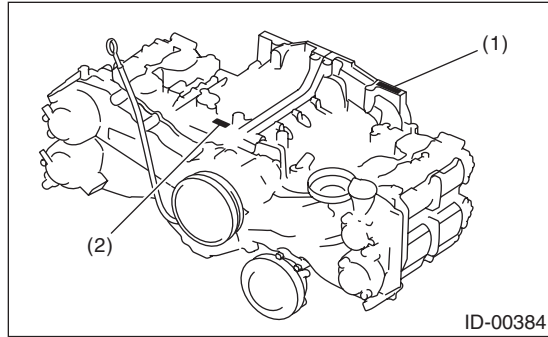
ID-00267

- Model number label



ID-00375

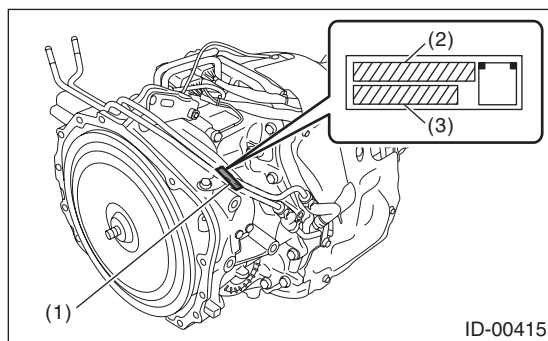
- **Engine**



- (1) Engine serial number (punch mark)
- (2) Engine type (casting) crankcase upper side

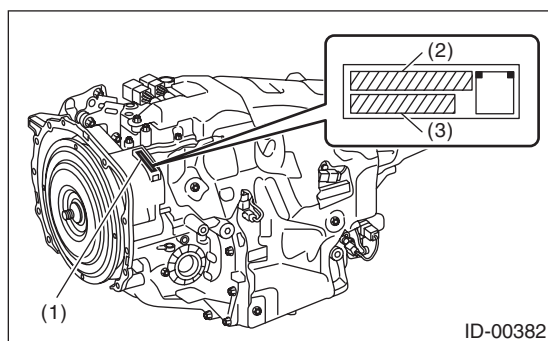
- **Automatic transmission CVT**

- TR690



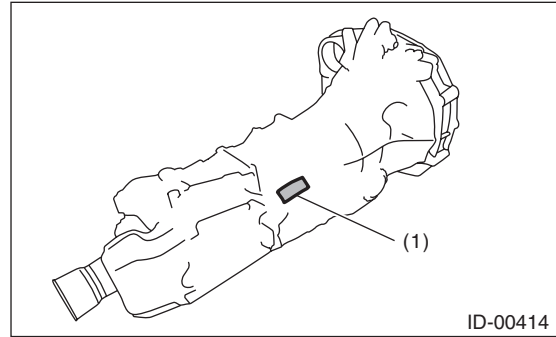
- (1) Label
- (2) CVT type label
- (3) Transmission serial No. label

- TR580



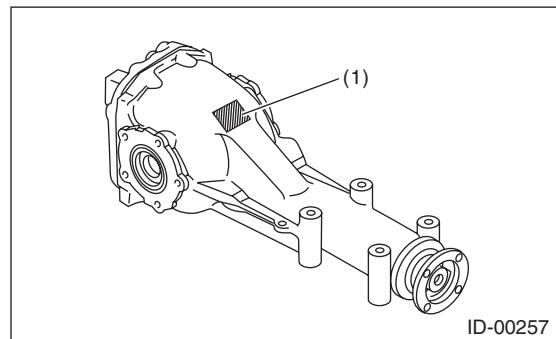
- (1) Label
- (2) CVT type label
- (3) Transmission serial No. label

- **Manual transmission**



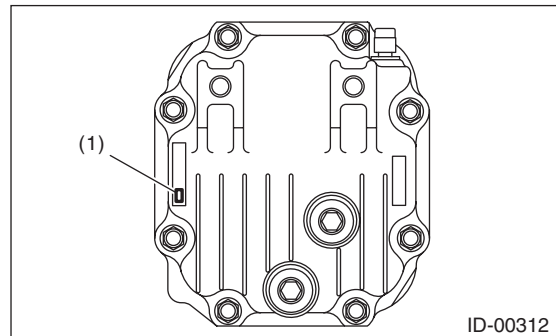
- (1) MT type and transmission serial number label

- **Rear differential T-type**



- (1) Identification (white paint)

- **VA1-type**



- (1) Type (label)

# Identification

## IDENTIFICATION

### 2. MEANING OF V.I.N.

The meaning of the V.I.N. is as follows:

**JF2SJAACXEG400001**

The starting and ending brackets ( ) are stop marks.

Digits	Code	Meaning	Details
1 — 3	JF2	Manufacturer body area	JF2: FHI manufactured passenger car
4	S	Car line	S: Forester
5	J	Body type	J: Wagon
6	A	Displacement class	A: 2.5 L non-turbo U5 C: 2.5 L non-turbo C0 D: 2.5 L non-turbo C4 E: 2.5 L non-turbo C5 F: 2.5 L non-turbo C6 G: 2.0 L turbo U4 H: 2.0 L turbo C0 J: 2.0 L turbo C4 K: 2.0 L turbo C6
7	A	Grade	A: Base B: Premium C: Premium + AWP D: Premium + M/R E: Premium + AWP + M/R F: Premium + M/R + NAVI G: Premium + AWP + M/R + NAVI H: Limited + M/R J: Limited + M/R + NAVI K: Limited + M/R + NAVI + H/K L: Touring + M/R M: Touring + NAVI + H/K + M/R N: Touring EyeSight P: Touring EyeSight + NAVI + H/K R: Touring
8	C	Restraint or GVWR class	C: Manual belt, dual airbags, side airbags for seat back + curtain airbags for roof, Class C (GVWR 4001 — 5000 lb)
9	X	Check numbers	X or 0 — 9
10	E	Model year	E: 2014MY
11	G	Transmission type	G: Full-time AWD 6 speed MT single range H: Full-time AWD CVT
12 — 17	400001	Serial number	400001 — 599999

### 3. MODEL NUMBER LABEL

The model number label indicates: the applied model, the option code, the trim code, the engine type, the transmission type, and the exterior color code. This information is helpful when placing orders for parts.

#### **SJ9AY2A**

Digits	Code	Meaning	Details
1	S	Series	S: Forester
2	J	Body type	J: Wagon
3	9	Total engine displacement Drive system	9: 2.5 L AWD (non-turbo) G: 2.0 L AWD (turbo)
4	A	Model year	A: 2014MY
5	Y	Destination	Y: U.S.A., Canada
6	2	Grade	2: 2.5 i 3: 2.5 i Plus 4: 2.5 i Premium 7: 2.5 i Limited 9: 2.5 i Touring F: 2.5 i Touring EyeSight K: 2.0 XT Premium M: 2.0 XT Touring R: 2.0 XT Touring EyeSight
7	A	Transmission, fuel feed system	8: DOHC turbo CVT A: DOHC non-turbo 6MT C: DOHC non-turbo CVT

The engine and transmission type are as follows.

#### **Engine**

#### **FA20FAZHZA**

Digits	Code	Meaning	Details
1 and 2	FA	Engine type symbol	FA: 4 cylinder gasoline FB: 4 cylinder gasoline
3 and 4	20	Displacement	20: 2.0 L 25: 2.5 L
5	F	Valve train/fuel supply system/ steering	B: DOHC non-turbo MFI (LH) F: DOHC DIT (LH)
6	A	Exhaust regulations	A: For states not using California emission standards C: For states using California emission standards
7	Z	Intake/exhaust system	Y: Intake AVCS, TGV, EGR Z: Intake AVCS, exhaust AVCS, TGV, EGR
8	H	Mounted transmission	B: 6MT H: CVT
9 and 10	ZA	Detailed specifications	Used when ordering parts. For details, refer to the parts catalog.

# Identification

## IDENTIFICATION

### Transmission

#### 1. MT TY751VHZDA

Digits	Code	Meaning	Details
1	T	Transmission	T: Transmission
2	Y	Transmission system	Y: Full-time AWD MT center differential
3 and 4	75	Distance between gear center	75: Between main shaft and drive pinion
5	1	Classification	1: 6MT
6	V	Transmission specifications	V: Full-time AWD single range 6 speed MT with viscous coupling center differential
7	H	Mounted engine	H: 2.5 L DOHC non-turbo
8 — 10	ZDA	Detailed specifications	Used when ordering parts. For details, refer to the parts catalog.

#### 2. CVT TR580GHZAA

Digits	Code	Meaning	Details
1	T	Transmission	T: Transmission
2	R	Transmission type	R: Full-time AWD CVT
3 and 4	58	Distance between pulley centers	58: Between pulley centers 69: Between pulley centers
5	0	Series	0: CVT
6	G	Transmission specifications	G: CVT with CVTF warmer, without air cooler
7	H	Mounted engine	B: 2.0 L DOHC turbo H: 2.5 L DOHC non-turbo
8 — 10	ZAA	Detailed specifications	Used when ordering parts. For details, refer to the parts catalog.

### Rear differential

#### B4

Code	Reduction gear ratio	LSD
B4	4.444	None
X1	4.111	None
XD	3.700	None

# Identification

IDENTIFICATION

## Option code

### 4B

- 1-digit number

OP code	G	H	I	J	K	L	M	T	V	W	X	Y	4
Aluminum wheel (17-inch)	—	○	○	○	○	○	—	○	○	○	—	—	—
Aluminum wheel (18-inch)	○	—	—	—	—	—	○	—	—	—	—	—	○
HID headlight	○	—	—	—	○	—	—	—	—	—	—	—	—
Dark colored glass	○	○	○	○	○	○	○	○	—	○	—	○	○
Sunroof	○	—	○	○	○	—	○	○	—	—	—	—	○
Auto light	○	○	—	○	○	—	○	—	—	—	—	—	○
Cold weather package	○	—	—	○	○	○	—	○	○	—	—	—	○

OP code 6 is a code for special edition.

- 2-digit number

OP code	A	B	E	F	G	I	K	M	P	R	S	U	V	Z
Leather seats and leather door trim center decoration	—	—	—	—	○	○	○	○	—	○	○	○	○	○
Power seat	—	○	○	○	○	○	○	○	○	○	○	○	○	○
Navigation system	—	—	—	—	—	—	○	—	○	—	—	—	—	—
Harman/kardon audio + high grade audio	—	—	—	—	—	—	—	—	—	—	—	○	—	—
Harman/kardon audio + navigation	—	—	—	—	—	—	—	—	—	○	—	—	○	—
Without audio	—	—	—	—	—	○	—	—	—	—	—	—	—	—
Keyless access with push button start	—	—	○	—	○	○	—	—	—	○	○	—	—	—
Power rear gate	—	○	—	—	—	—	○	—	—	○	○	○	○	○
Side & curtain airbags	○	○	○	○	○	○	○	○	○	○	○	○	○	○

OP code 3 is a code for special edition.

# Identification

IDENTIFICATION

---

# RECOMMENDED MATERIALS

***RM***

---

	<b>Page</b>
1. Recommended Materials .....	2

