

Charging System

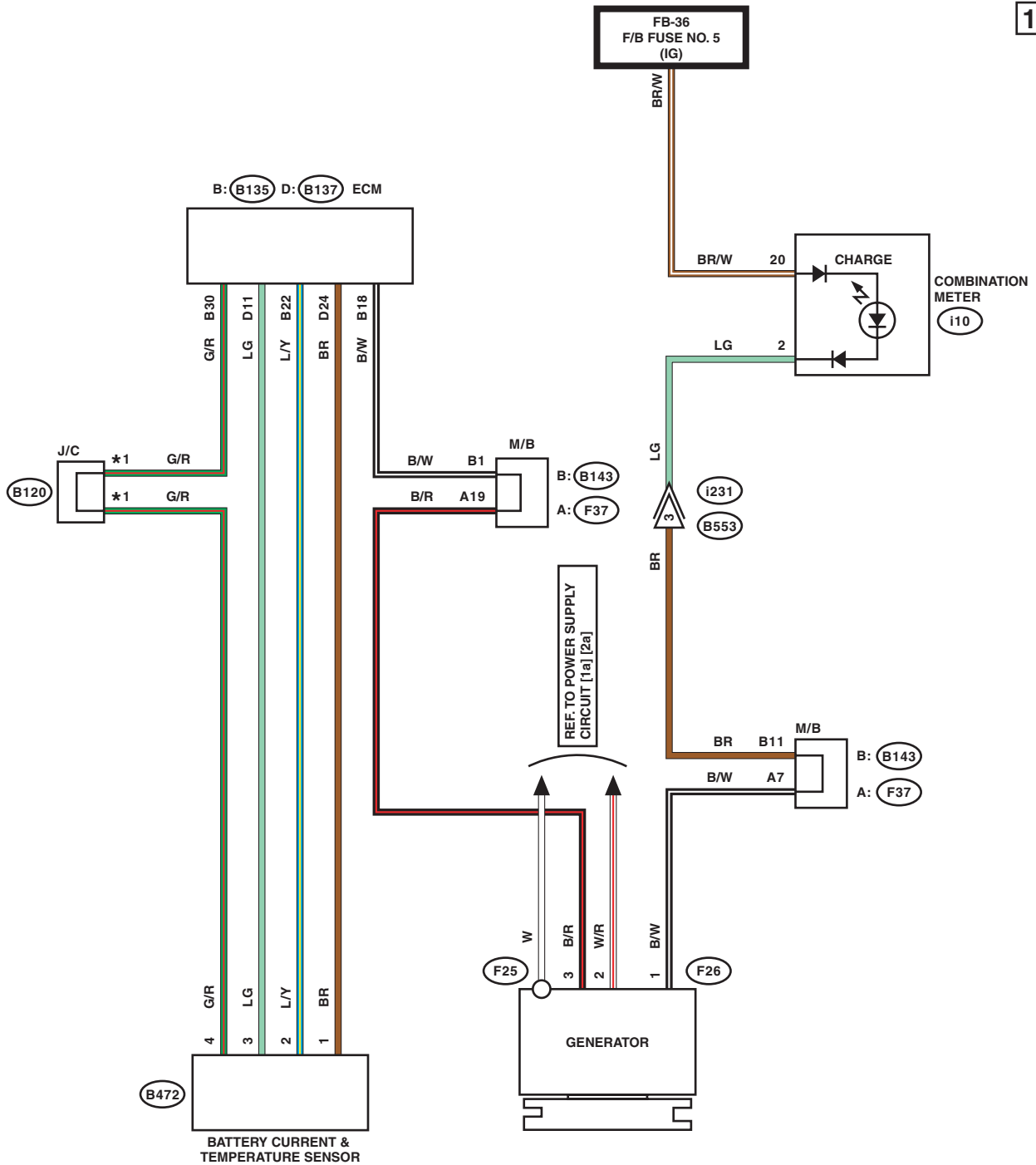
WIRING SYSTEM

11. Charging System

A: WIRING DIAGRAM

1. NON-TURBO MODEL

1a



1a

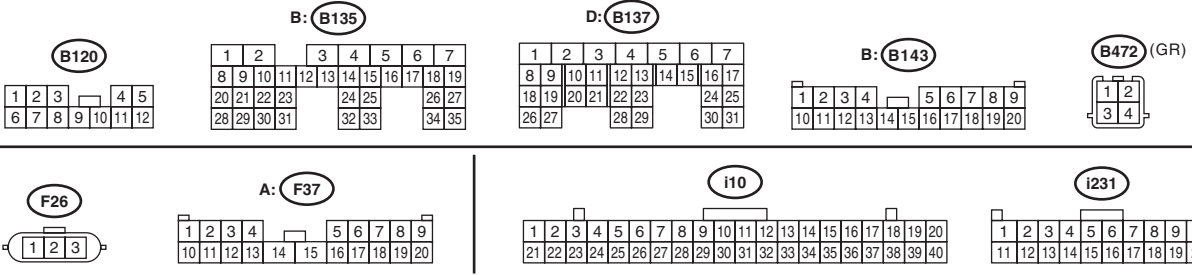
*1 : TERMINAL No. OPTIONAL ARRANGEMENT AMONG 1, 2, 3, 6, 7 AND 8

WI-40692

1b

1b

LIST OF CONNECTORS



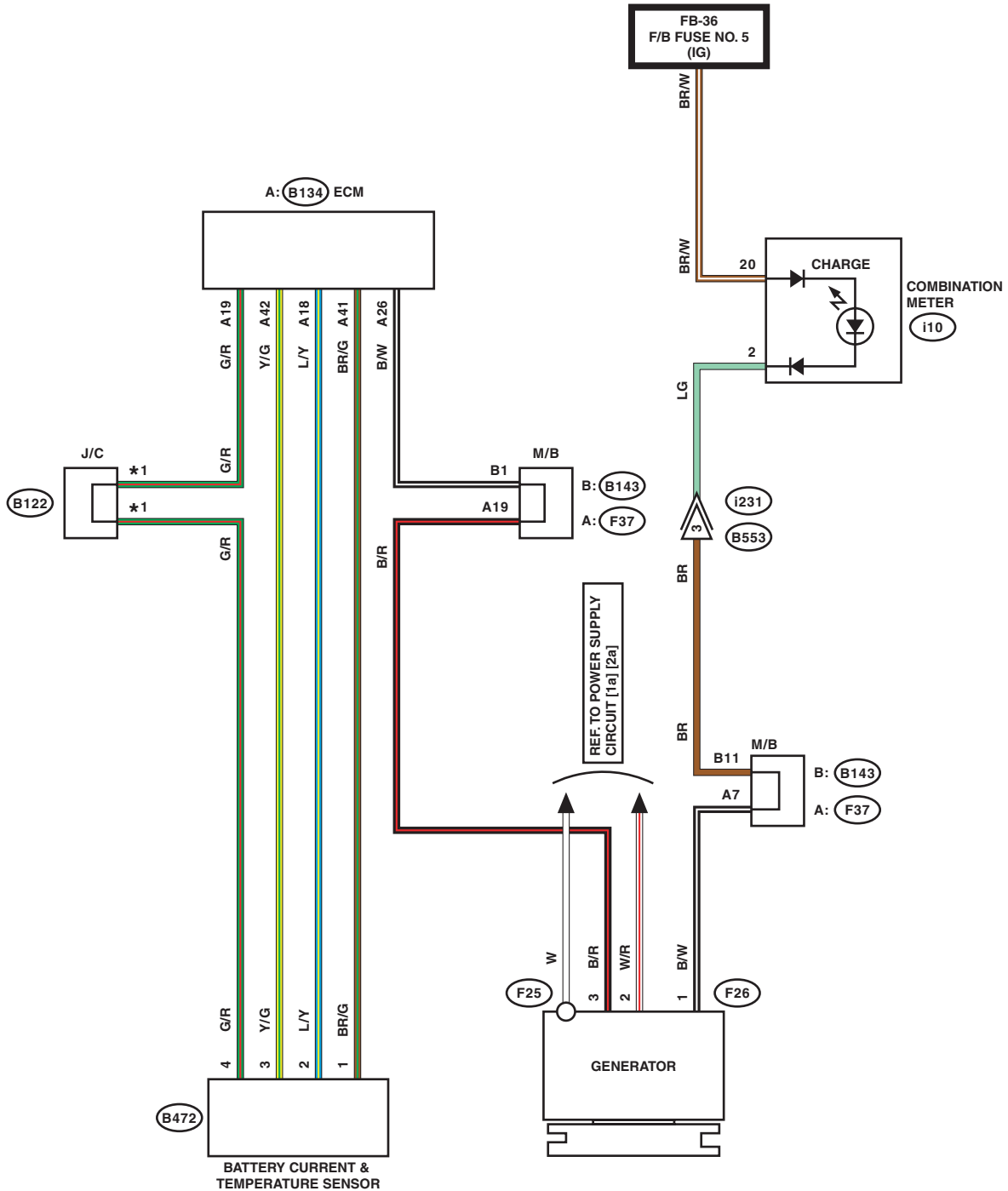
Charging System

WIRING SYSTEM

2. TURBO MODEL

2a

2a



*1 : TERMINAL No. OPTIONAL ARRANGEMENT

WI-40693

2b

2b

LIST OF CONNECTORS

