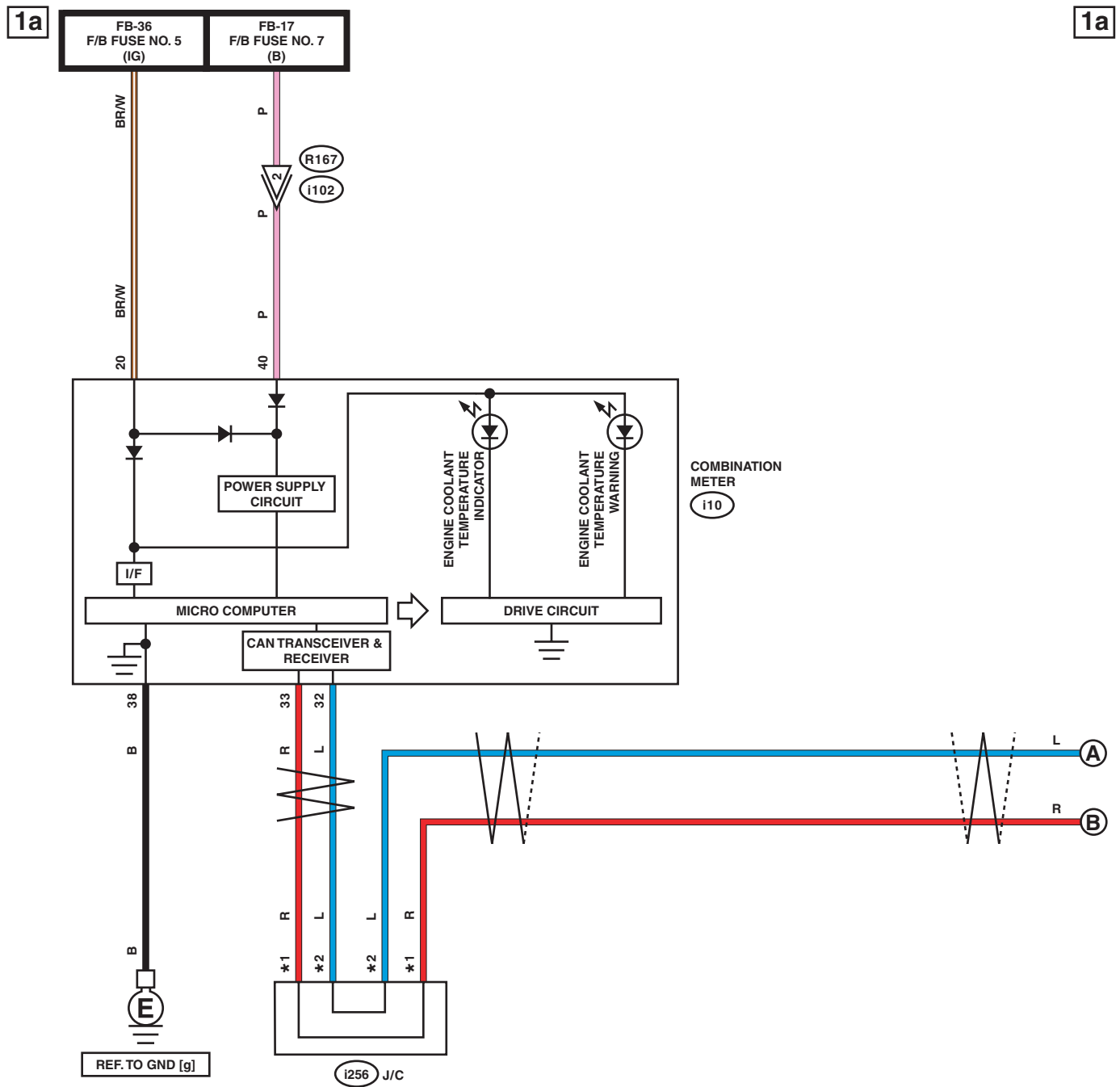


14. Coolant Temperature System

A: WIRING DIAGRAM

1. NON-TURBO MODEL



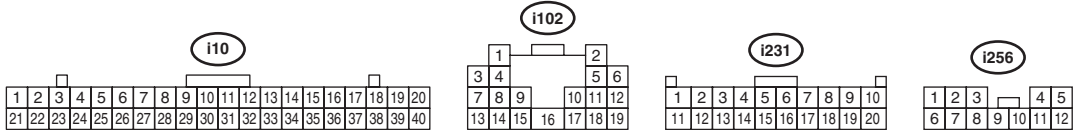
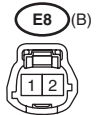
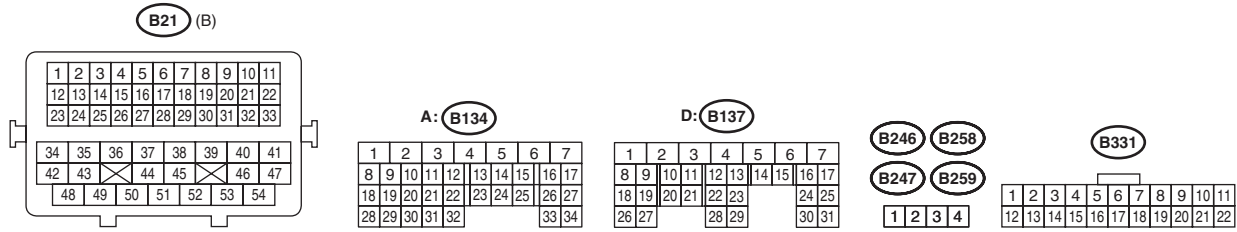
- *1 : TERMINAL No. OPTIONAL ARRANGEMENT AMONG 1, 2, 3, 6, 7 AND 8
- *2 : TERMINAL No. OPTIONAL ARRANGEMENT AMONG 4, 5, 9, 10, 11 AND 12

WI-40708

1c

1c

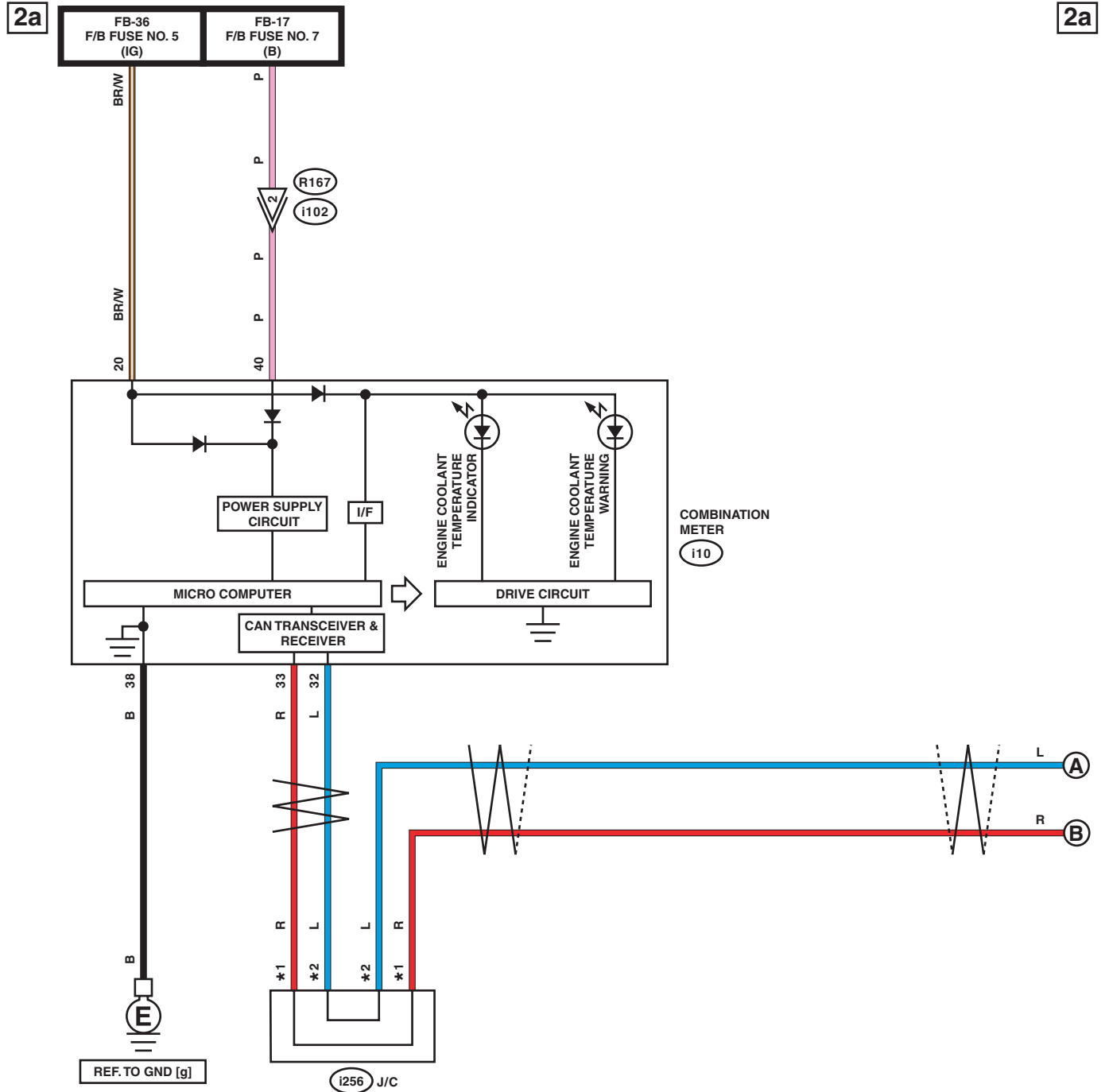
LIST OF CONNECTORS



Coolant Temperature System

WIRING SYSTEM

2. TURBO MODEL



- *1 : TERMINAL No. OPTIONAL ARRANGEMENT AMONG 1, 2, 3, 6, 7 AND 8
- *2 : TERMINAL No. OPTIONAL ARRANGEMENT AMONG 4, 5, 9, 10, 11 AND 12

WI-40711

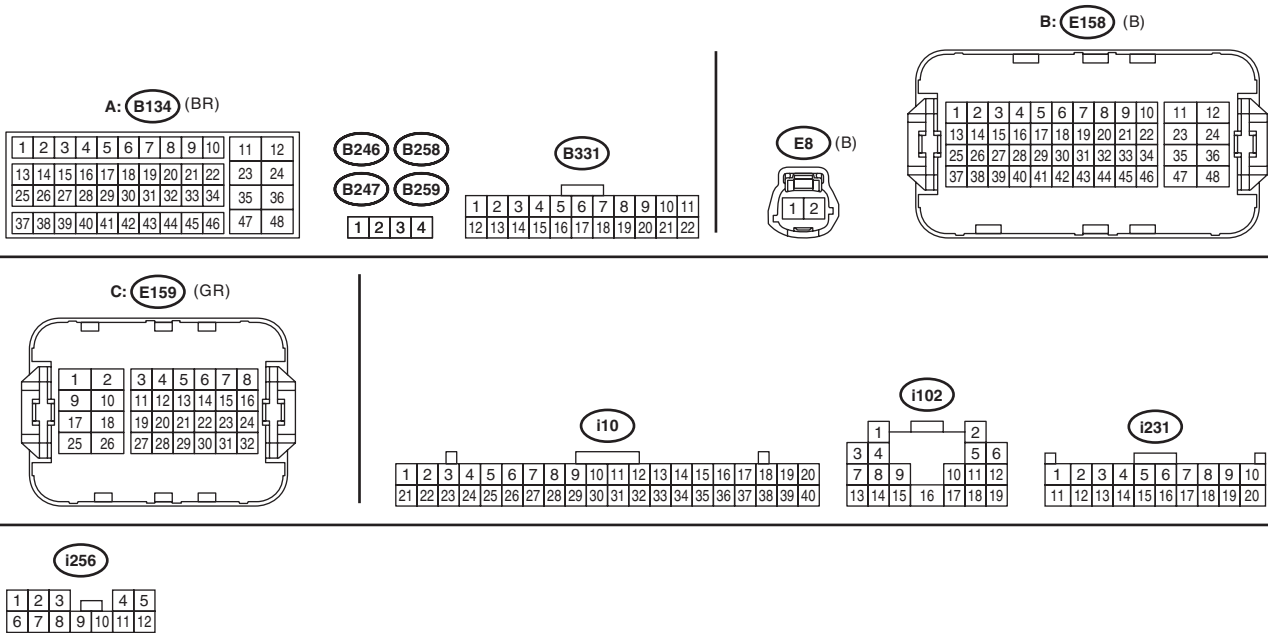
Coolant Temperature System

WIRING SYSTEM

2c

2c

LIST OF CONNECTORS



WI-40713