

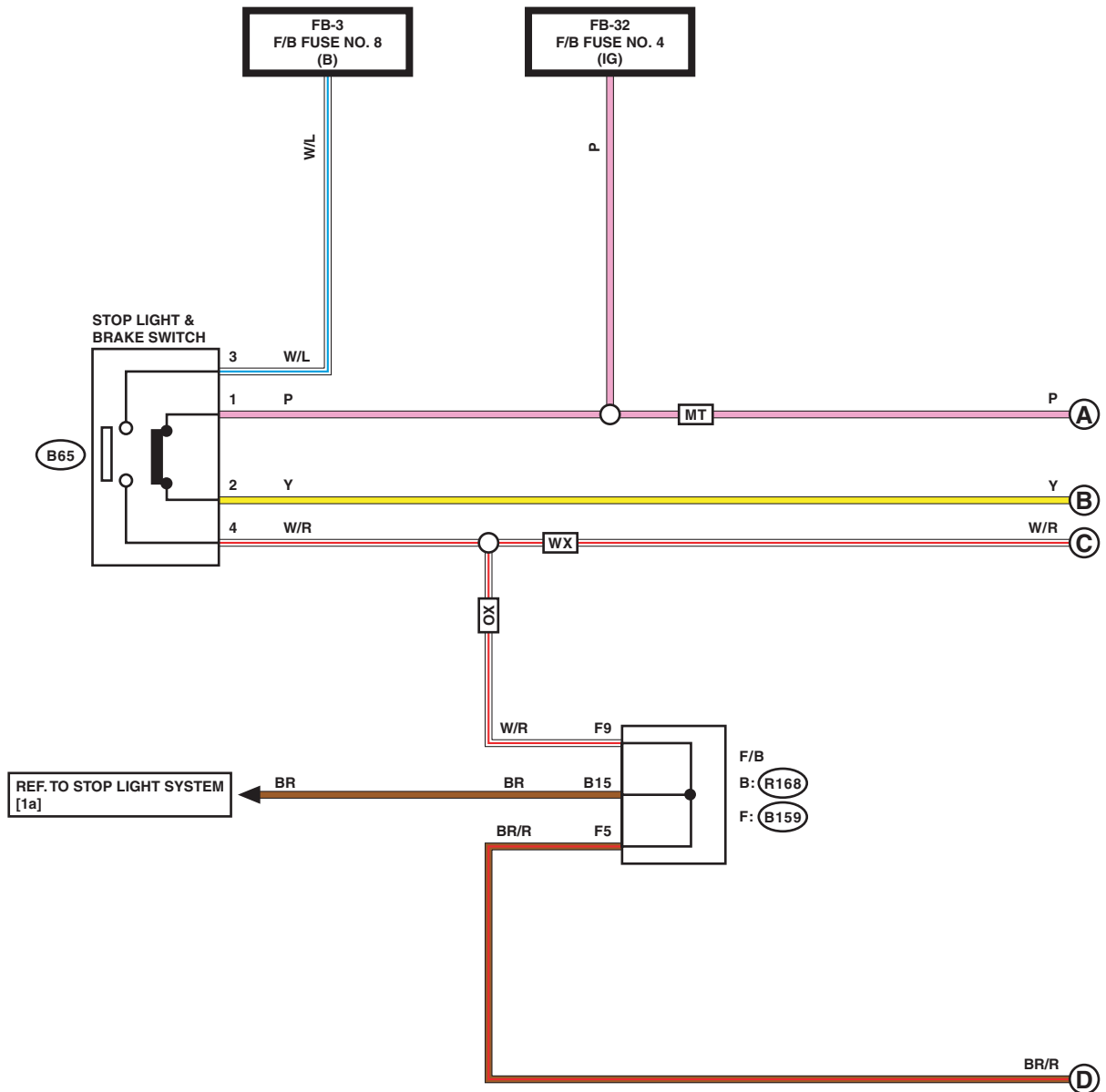
15. Cruise Control System

A: WIRING DIAGRAM

1. NON-TURBO MODEL

1a

1a



OX : WITHOUT X MODE

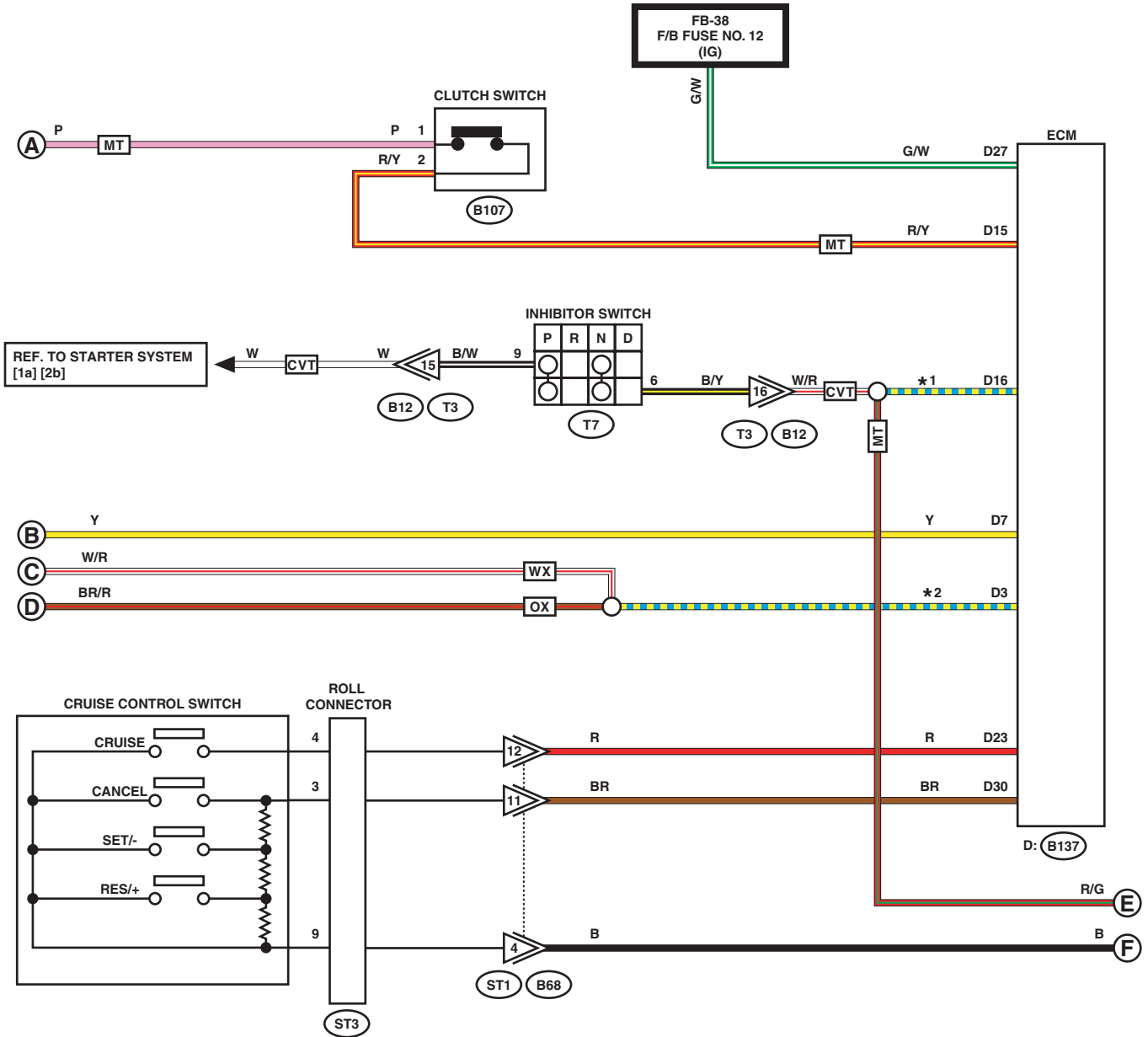
WX : WITH X MODE

Cruise Control System

WIRING SYSTEM

1b

1b



OX : WITHOUT X MODE

WX : WITH X MODE

*1 : MT MODEL : R/G
CVT MODEL : W/R

*2 : WITHOUT X MODE : BR/R
WITH X MODE : W/R

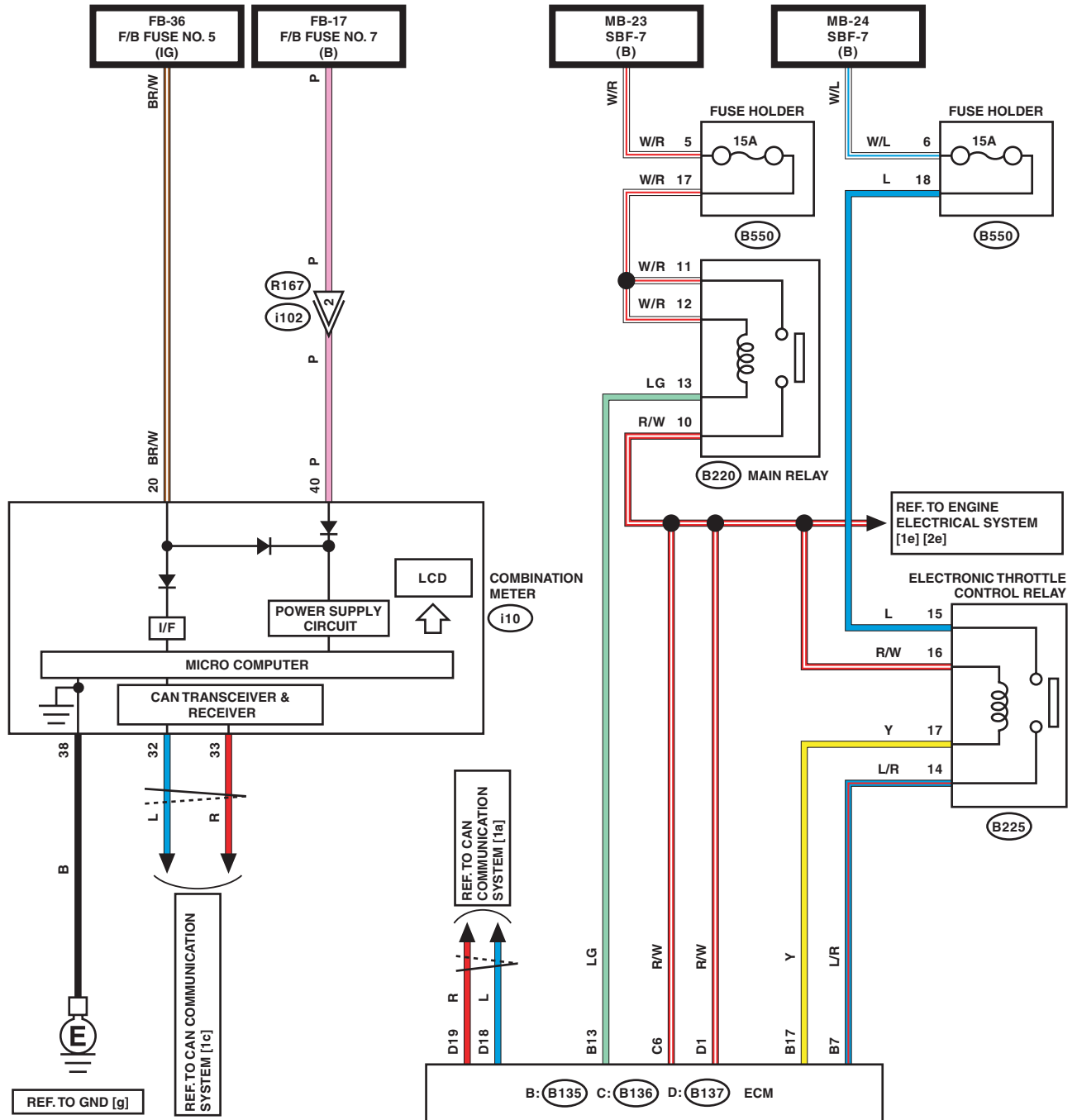
WI-40715

Cruise Control System

WIRING SYSTEM

1c

1c



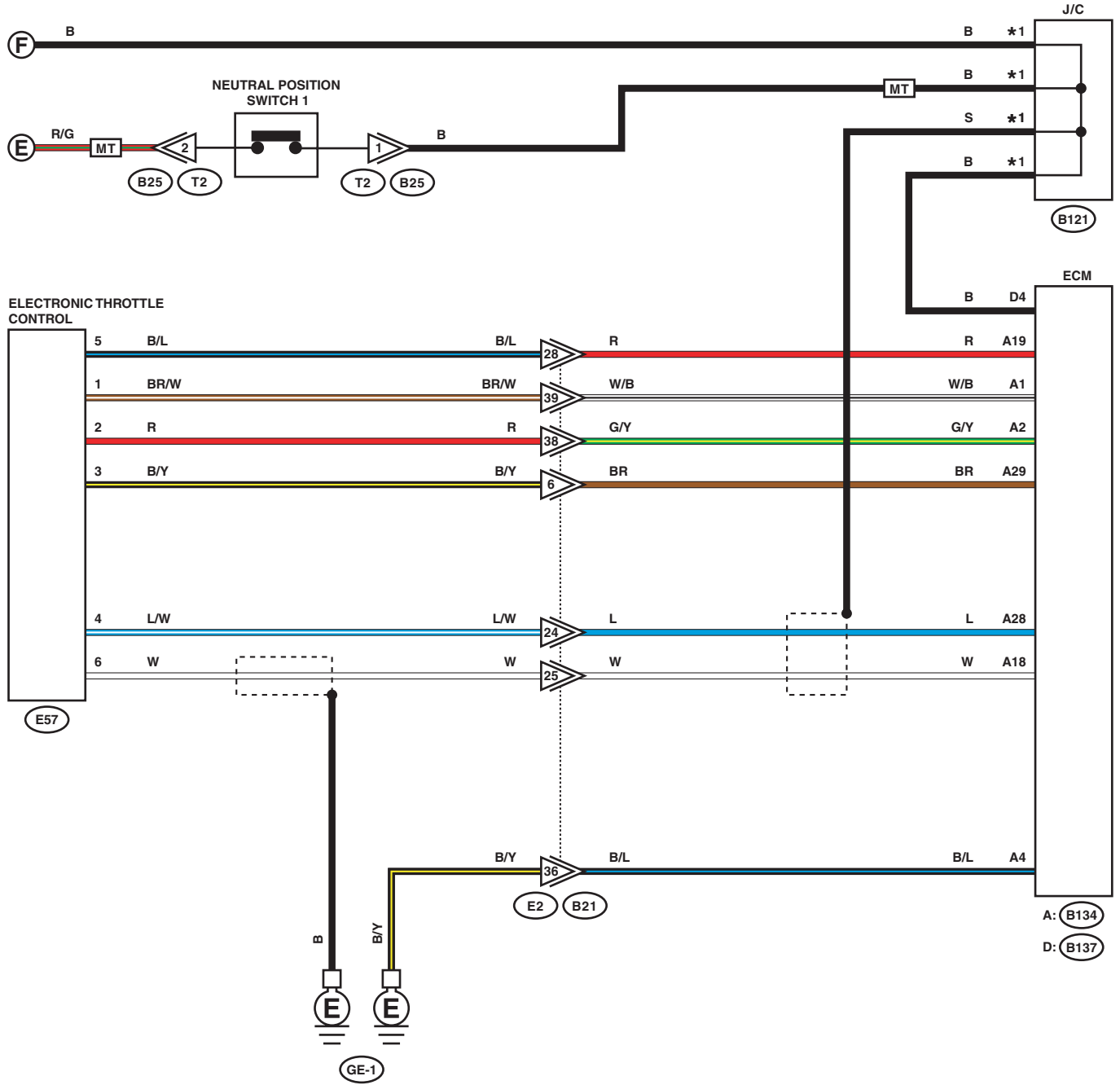
WI-40716

Cruise Control System

WIRING SYSTEM

1d

1d



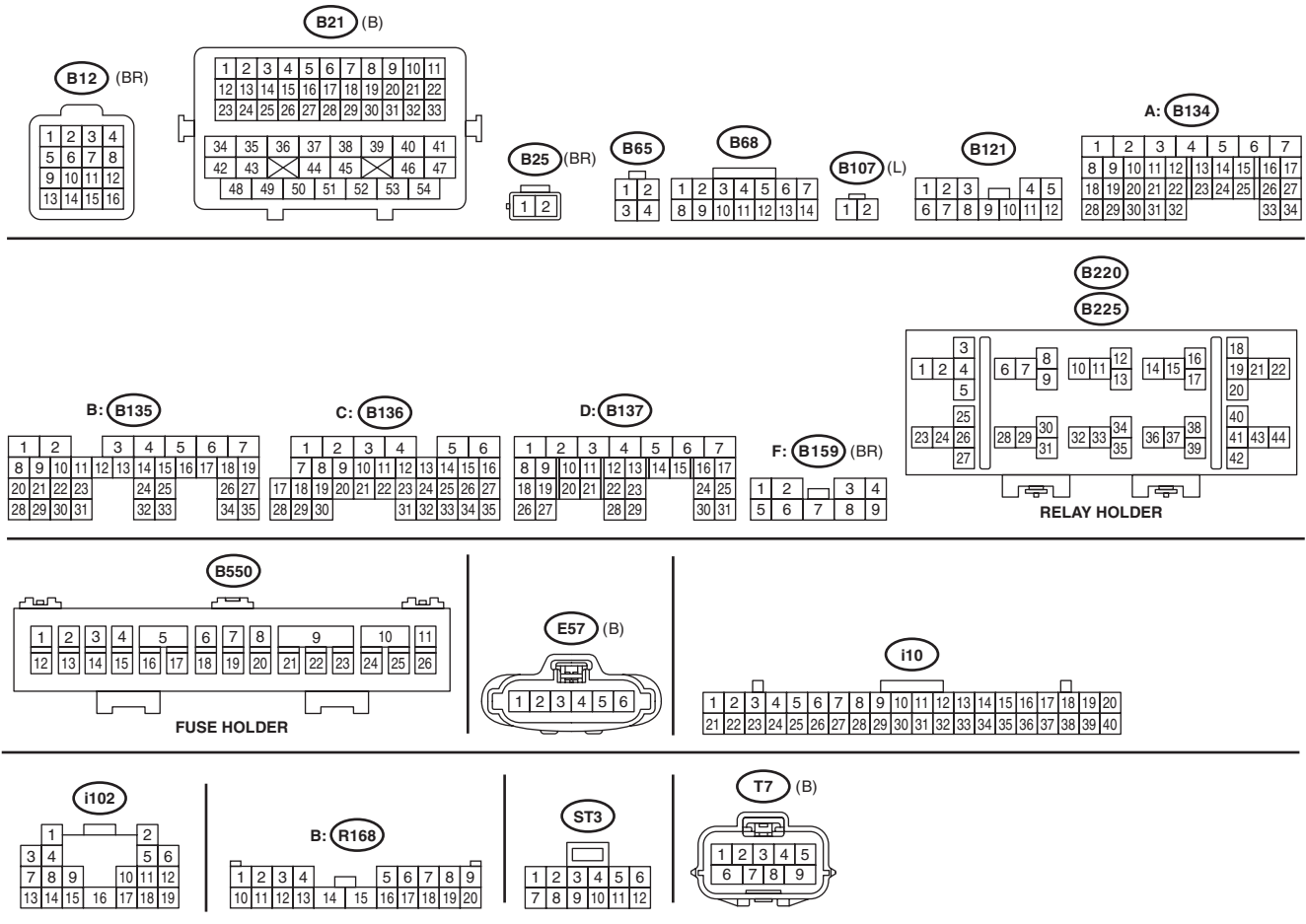
*1 : TERMINAL No. OPTIONAL ARRANGEMENT

WI-40717

1e

1e

LIST OF CONNECTORS



WI-40718

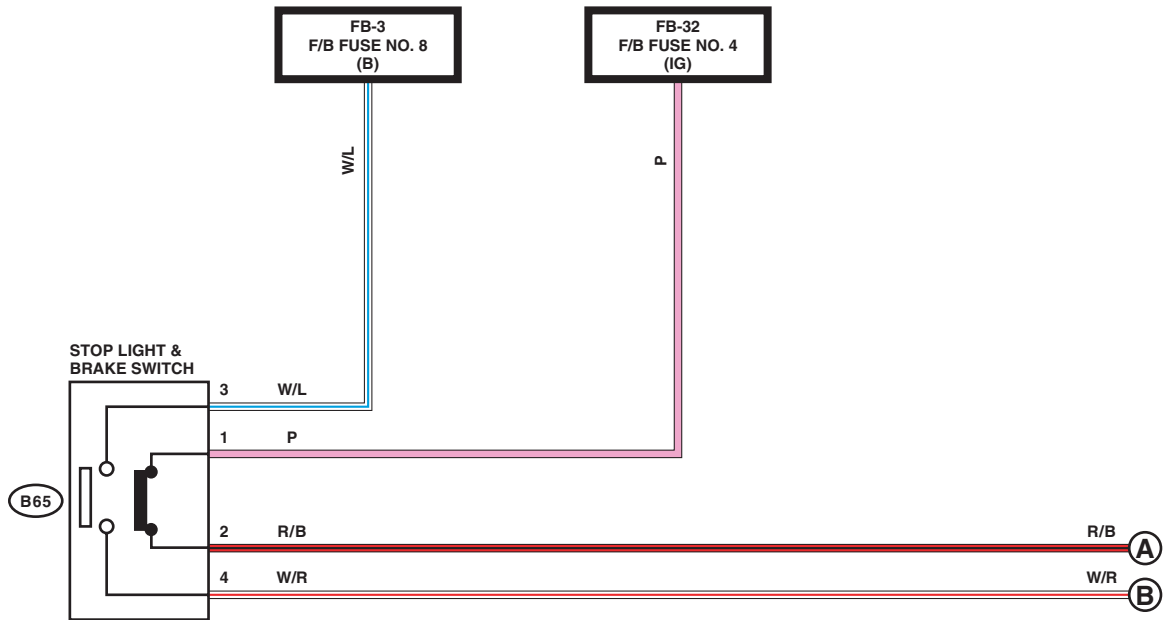
Cruise Control System

WIRING SYSTEM

2. TURBO MODEL

2a

2a

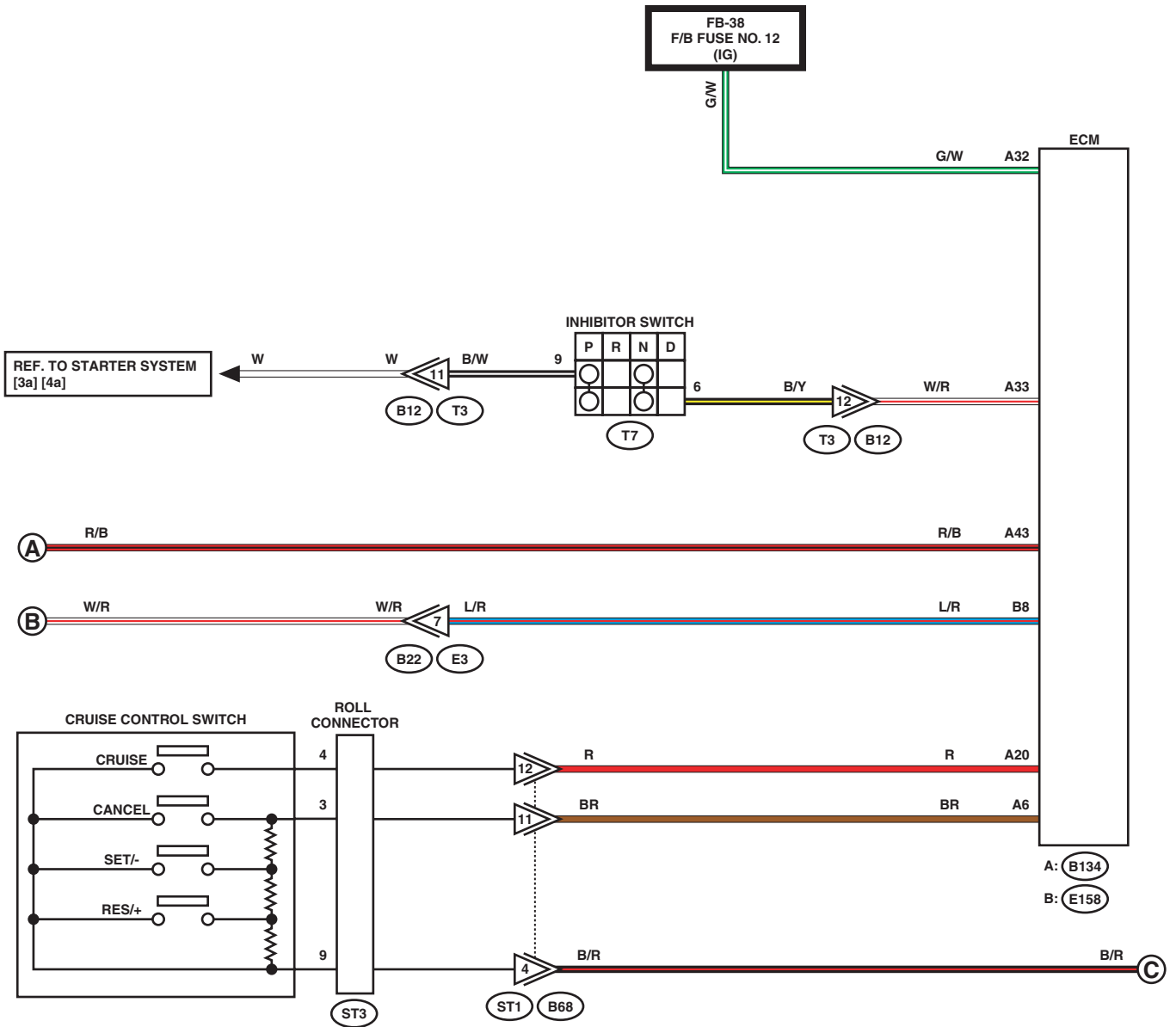


WI-40719

Cruise Control System

2b

2b



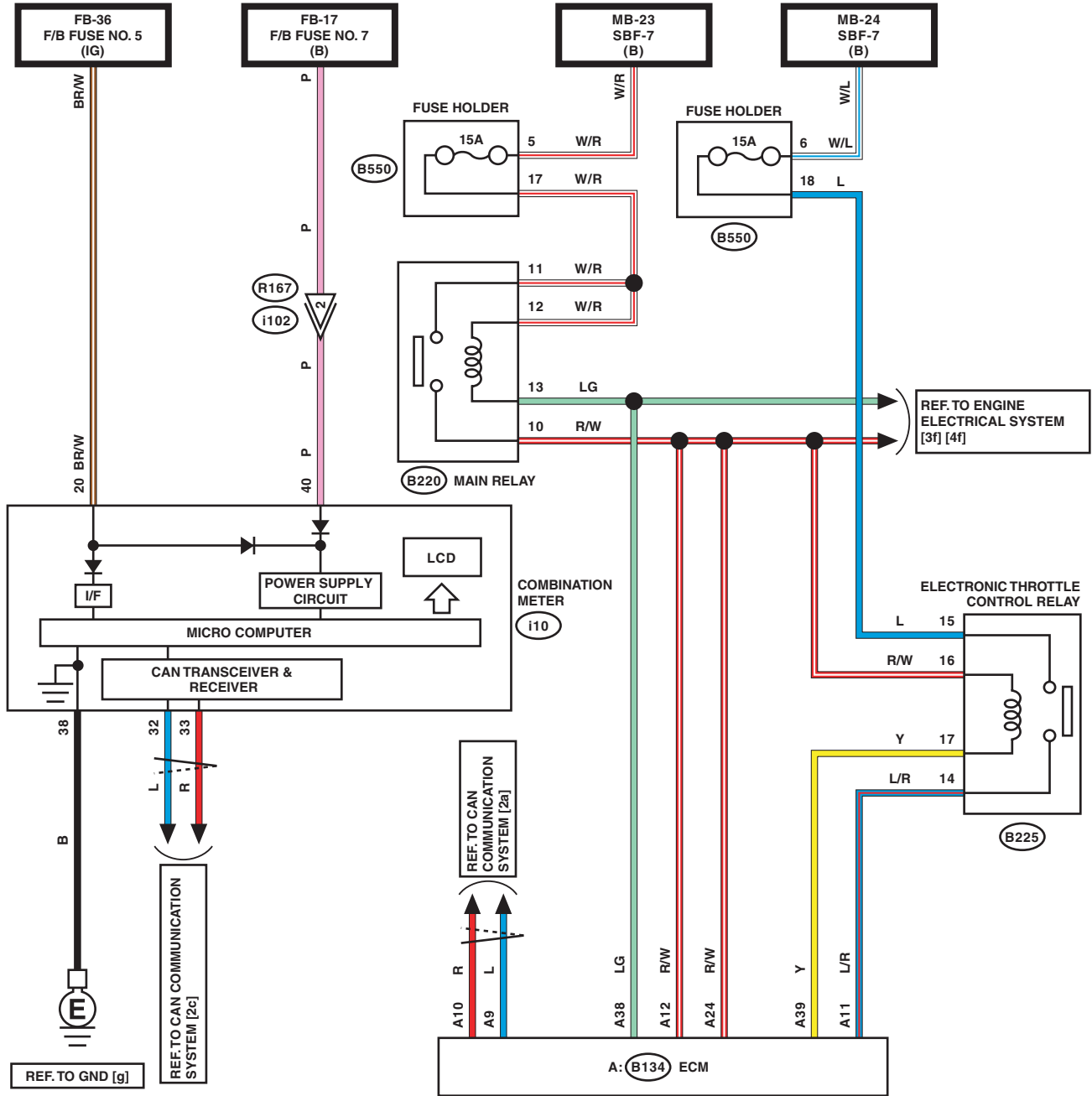
WI-40720

Cruise Control System

WIRING SYSTEM

2c

2c



WI-40721

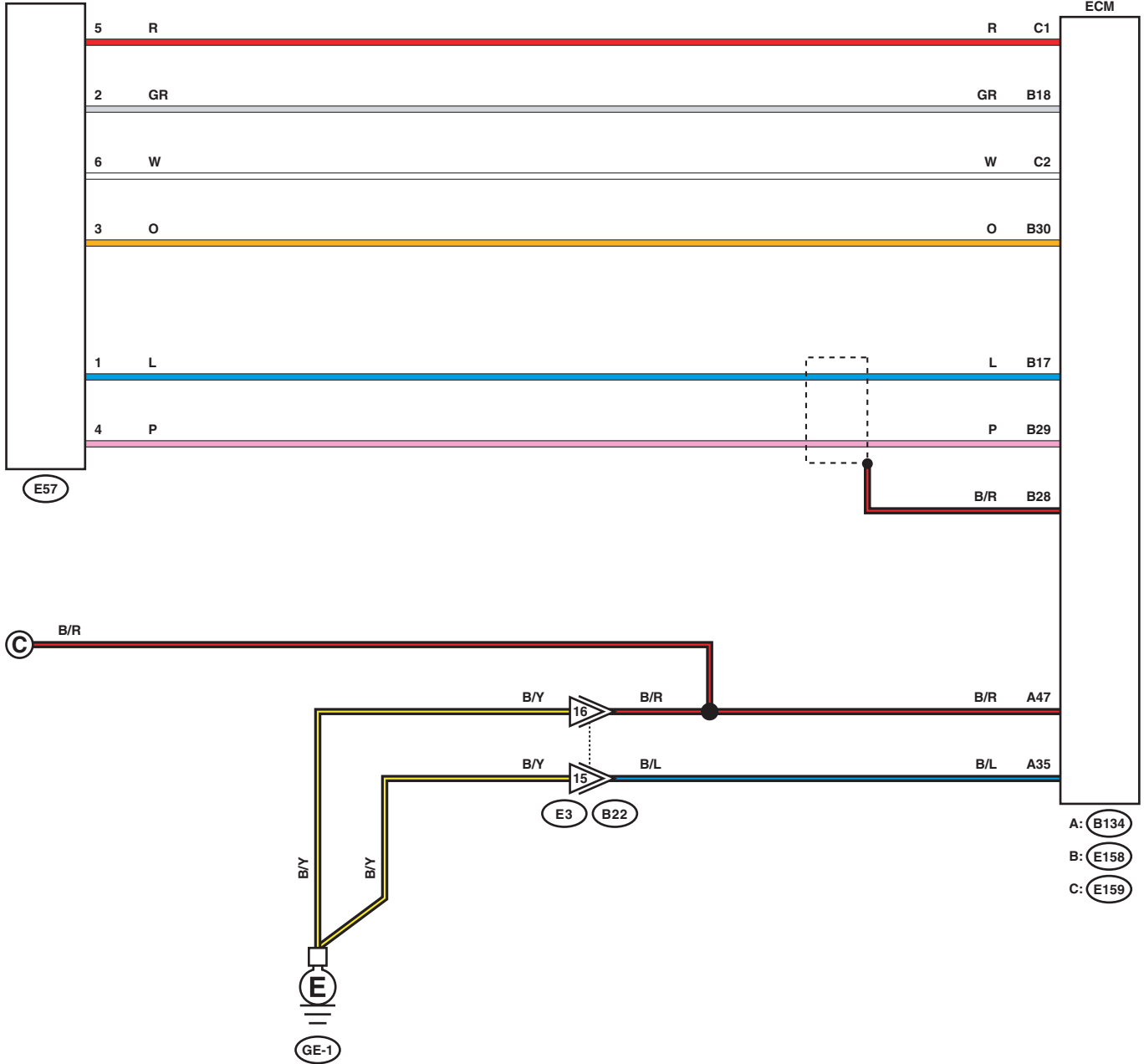
Cruise Control System

WIRING SYSTEM

2d

2d

ELECTRONIC THROTTLE CONTROL



WI-40722

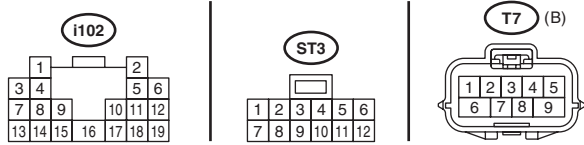
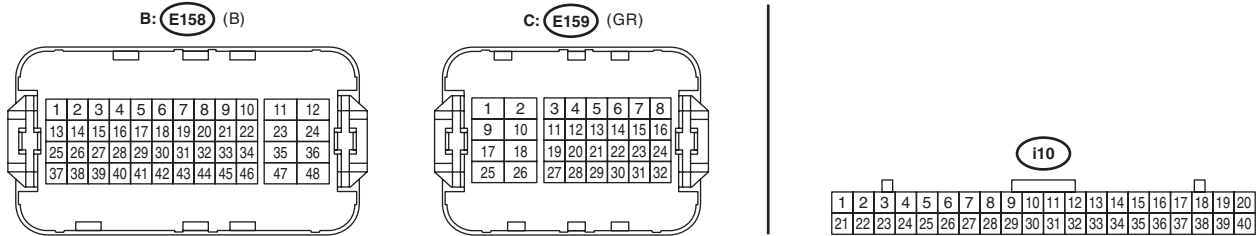
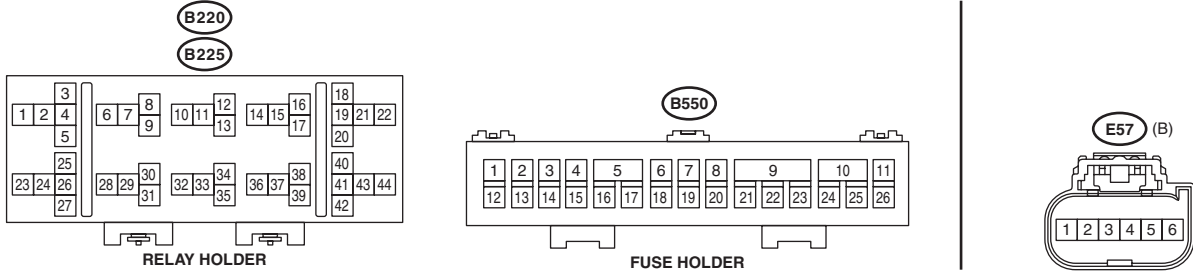
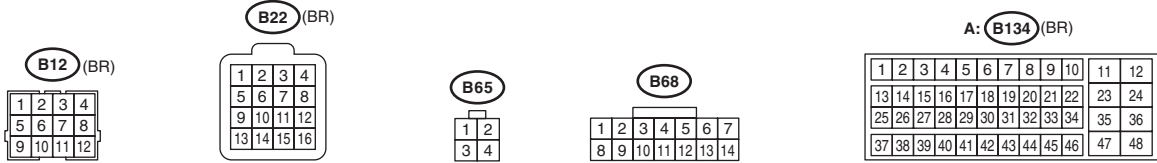
Cruise Control System

WIRING SYSTEM

2e

2e

LIST OF CONNECTORS



WI-40723

