

EyeSight System

WIRING SYSTEM

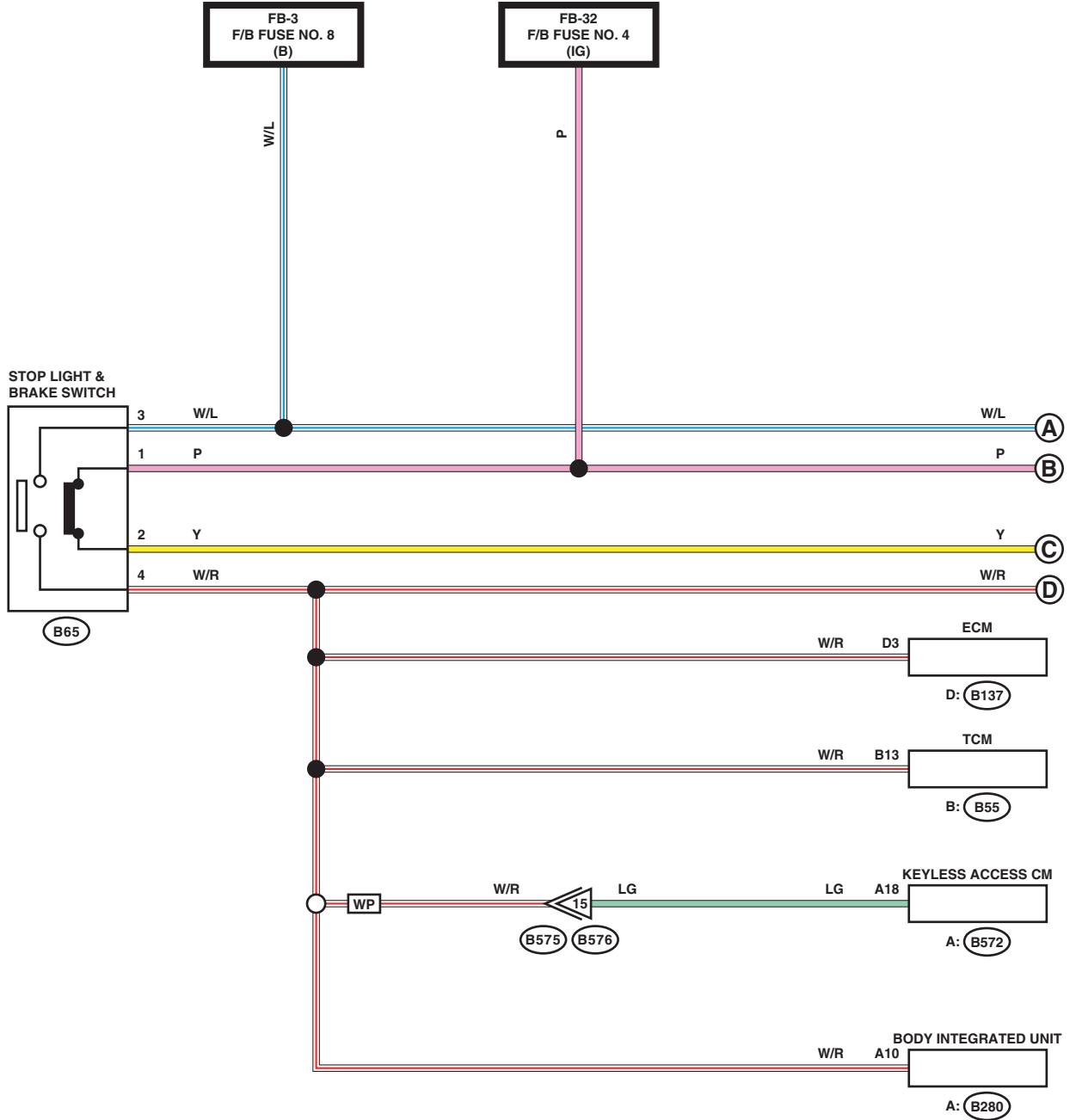
19. EyeSight System

A: WIRING DIAGRAM

1. NON-TURBO MODEL

1a

1a



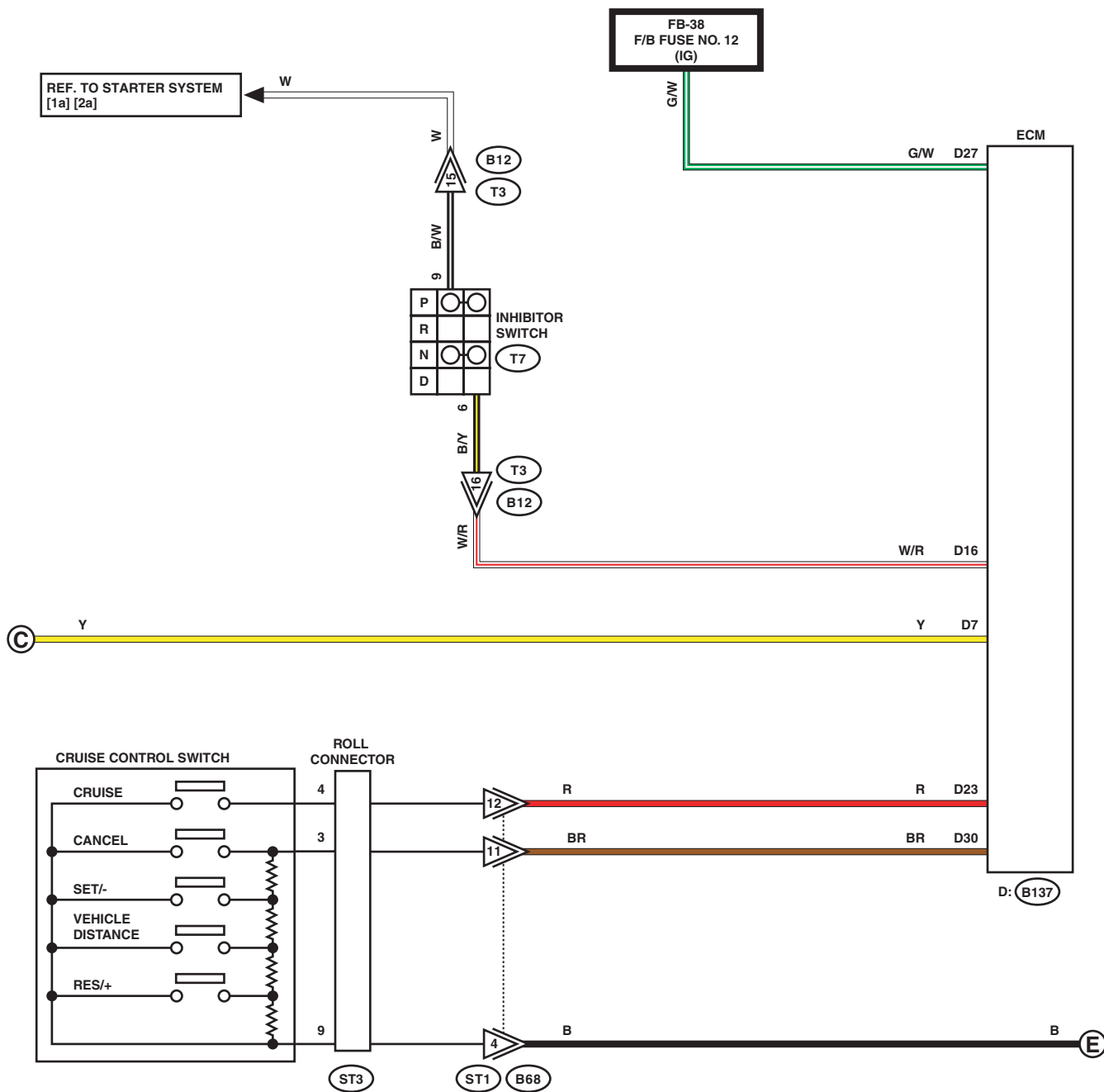
WP : WITH PUSH BUTTON START

WI-40809

EyeSight System

1b

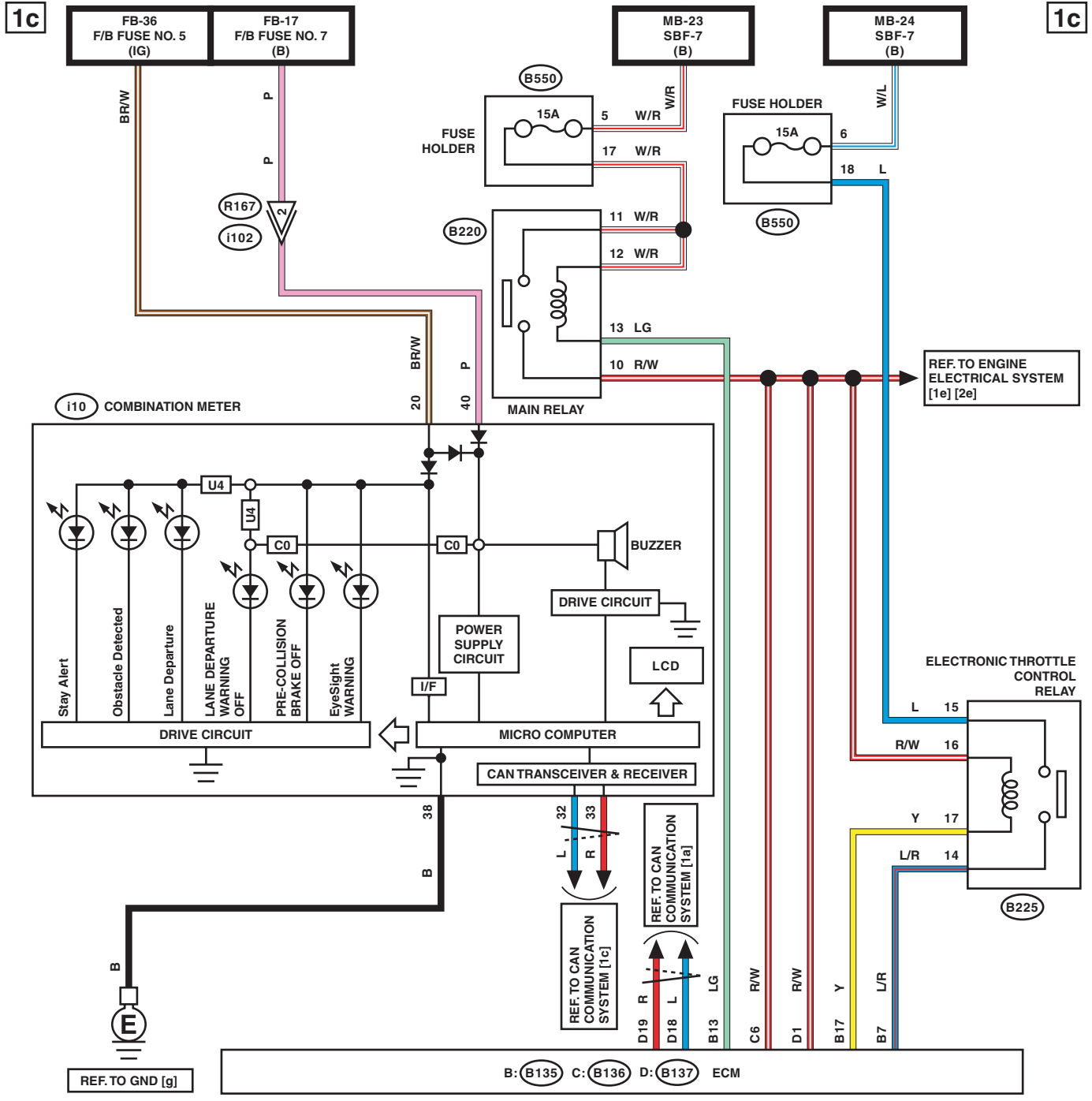
1b



WI-40810

EyeSight System

WIRING SYSTEM



C0 : C0 MODEL
 U4 : U4 MODEL

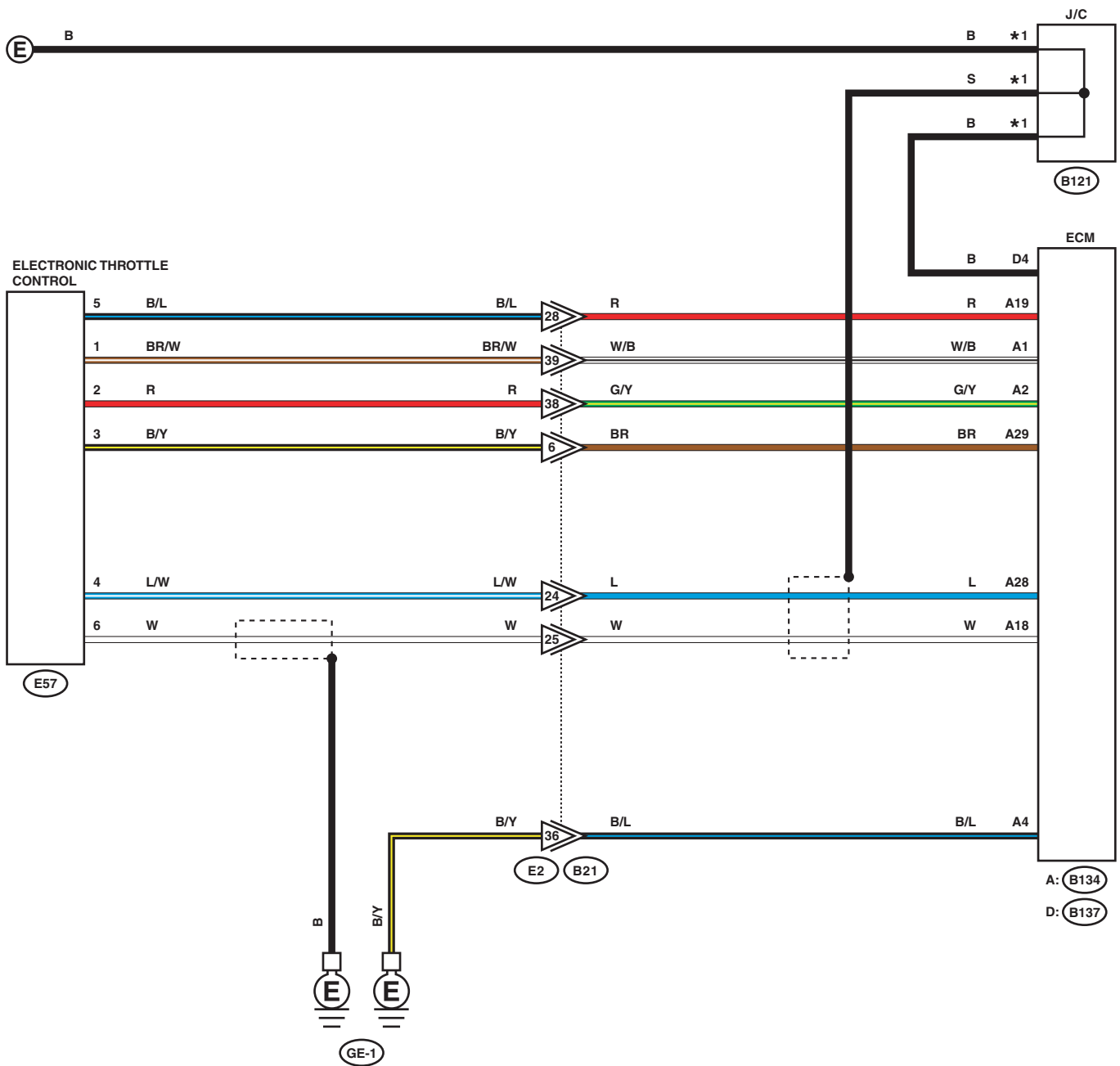
WI-40811

EyeSight System

WIRING SYSTEM

1d

1d

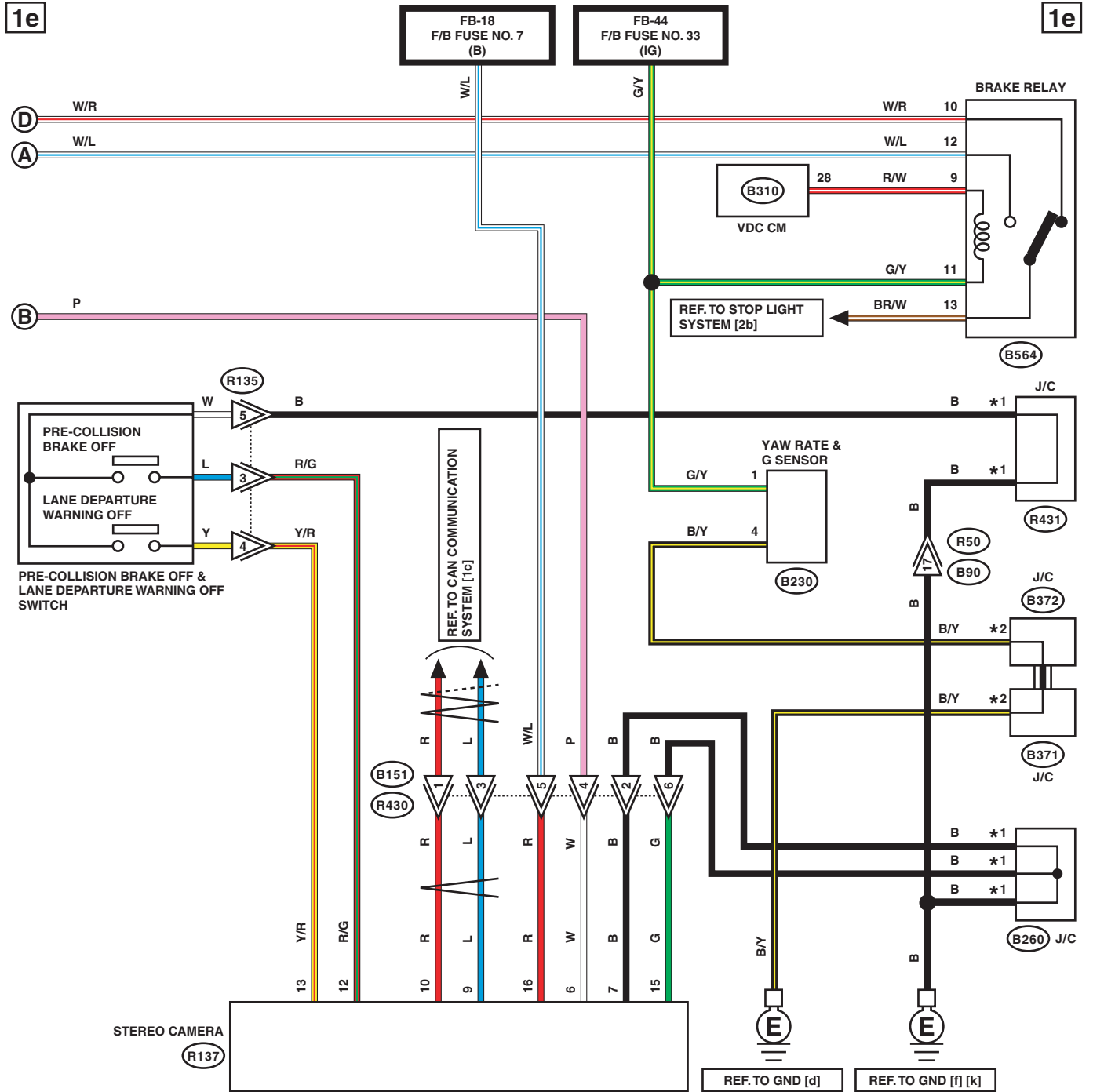


*1 : TERMINAL No. OPTIONAL ARRANGEMENT

WI-40812

EyeSight System

WIRING SYSTEM



*1 : TERMINAL No. OPTIONAL ARRANGEMENT

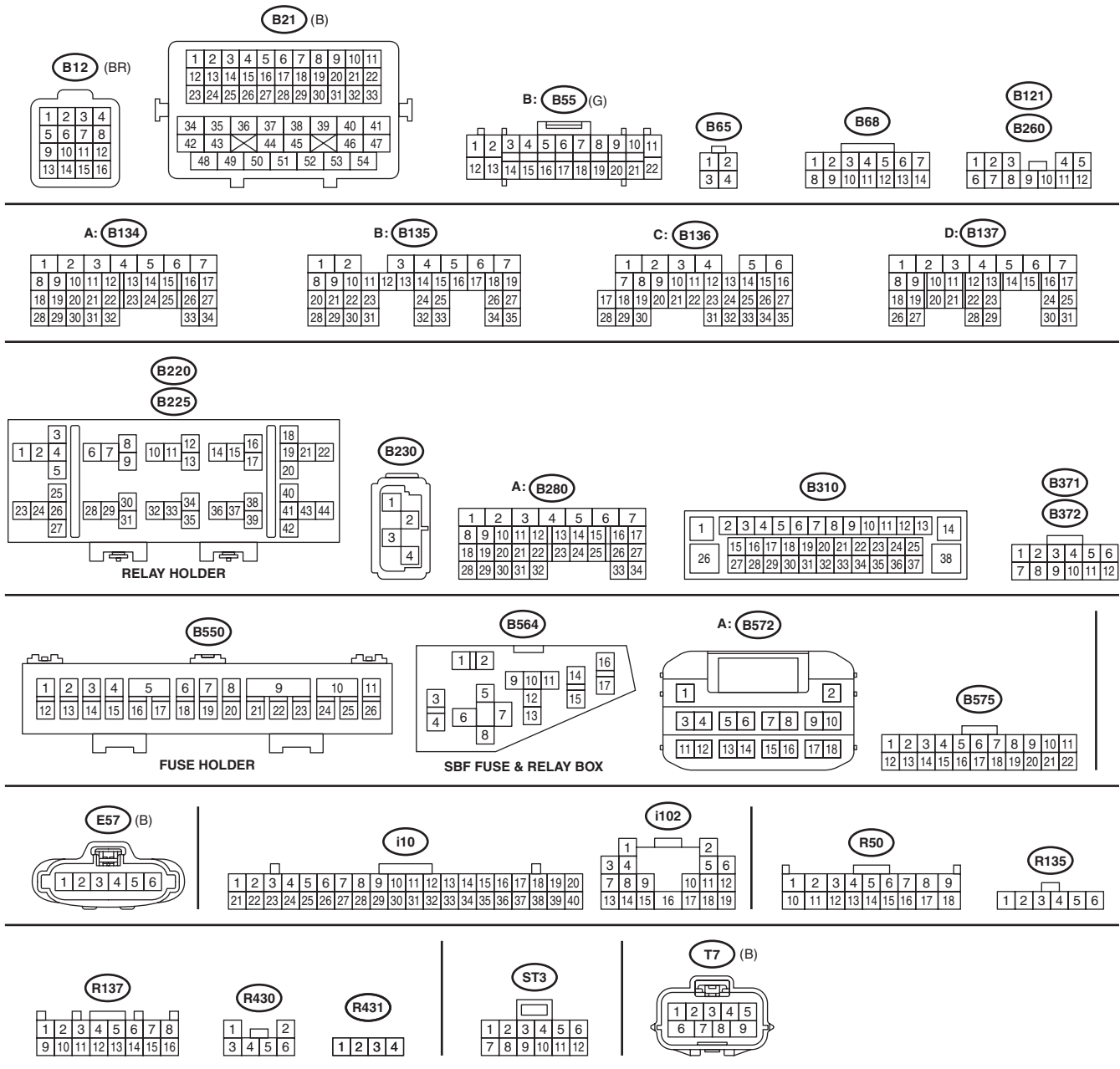
*2 : TERMINAL No. OPTIONAL ARRANGEMENT AMONG 1, 2, 3, 4, 5 AND 6

WI-40813

1f

1f

LIST OF CONNECTORS



WI-40814

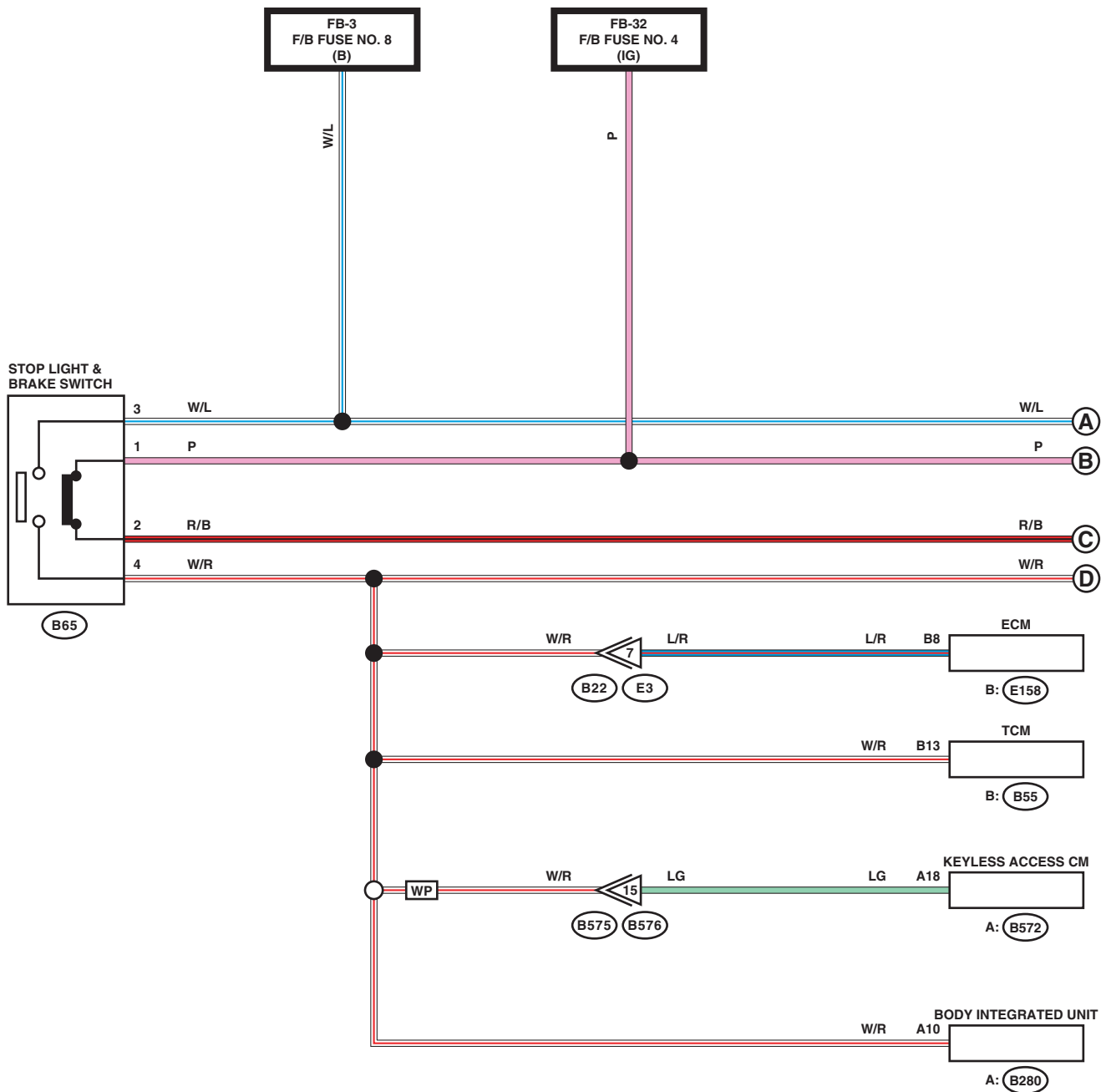
EyeSight System

WIRING SYSTEM

2. TURBO MODEL

2a

2a



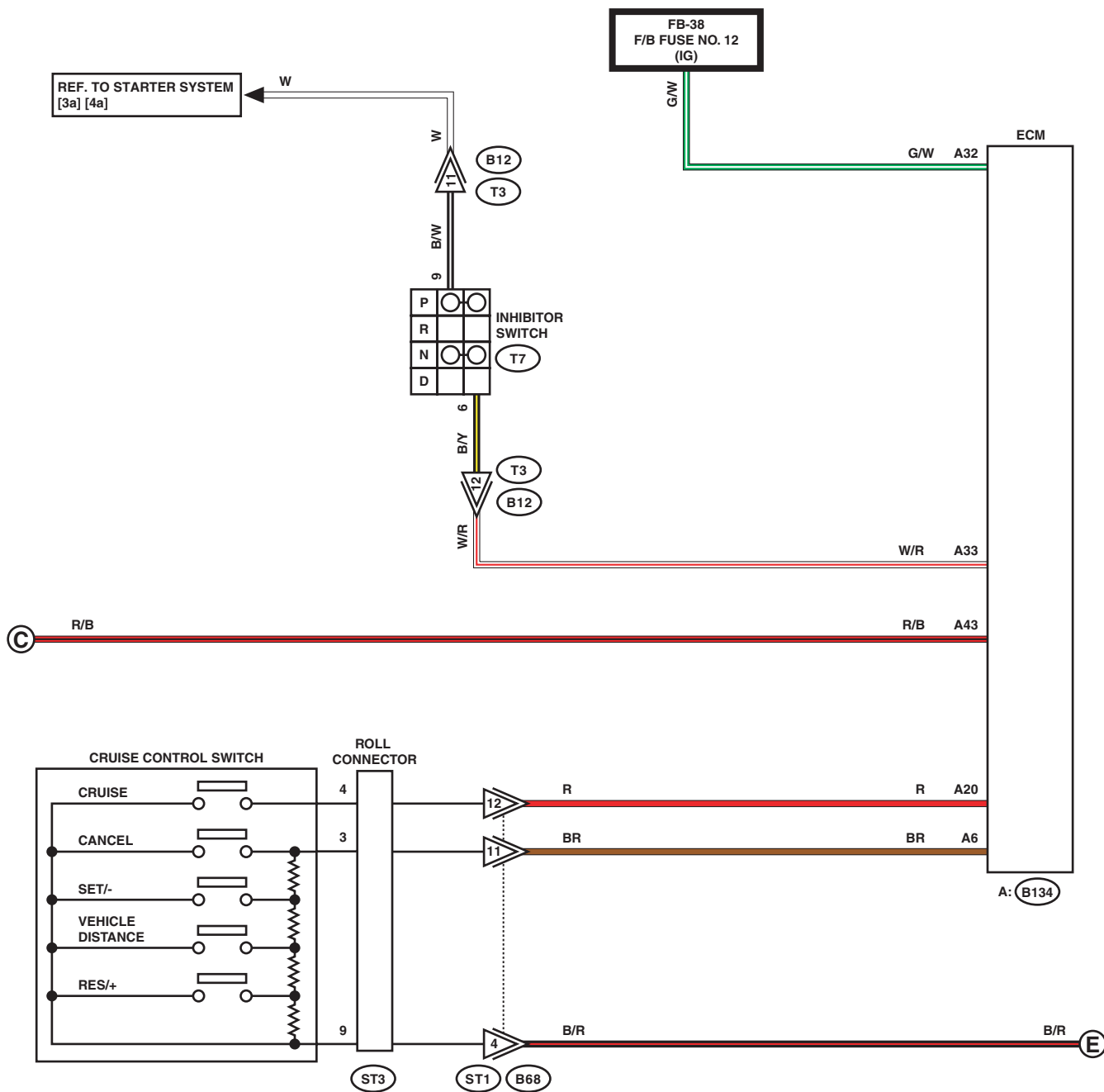
WP : WITH PUSH BUTTON START

WI-40815

EyeSight System

2b

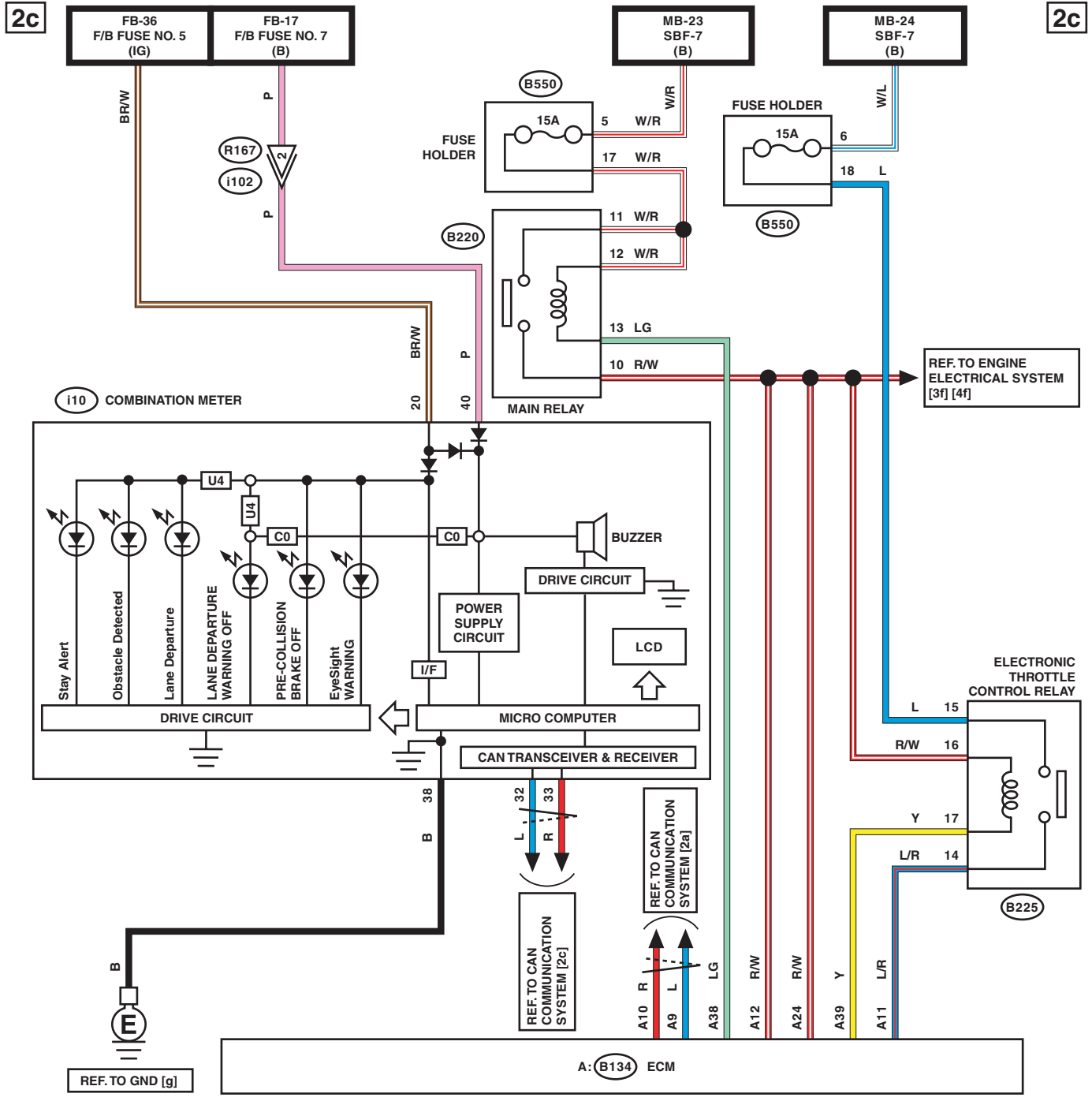
2b



WI-40816

EyeSight System

WIRING SYSTEM



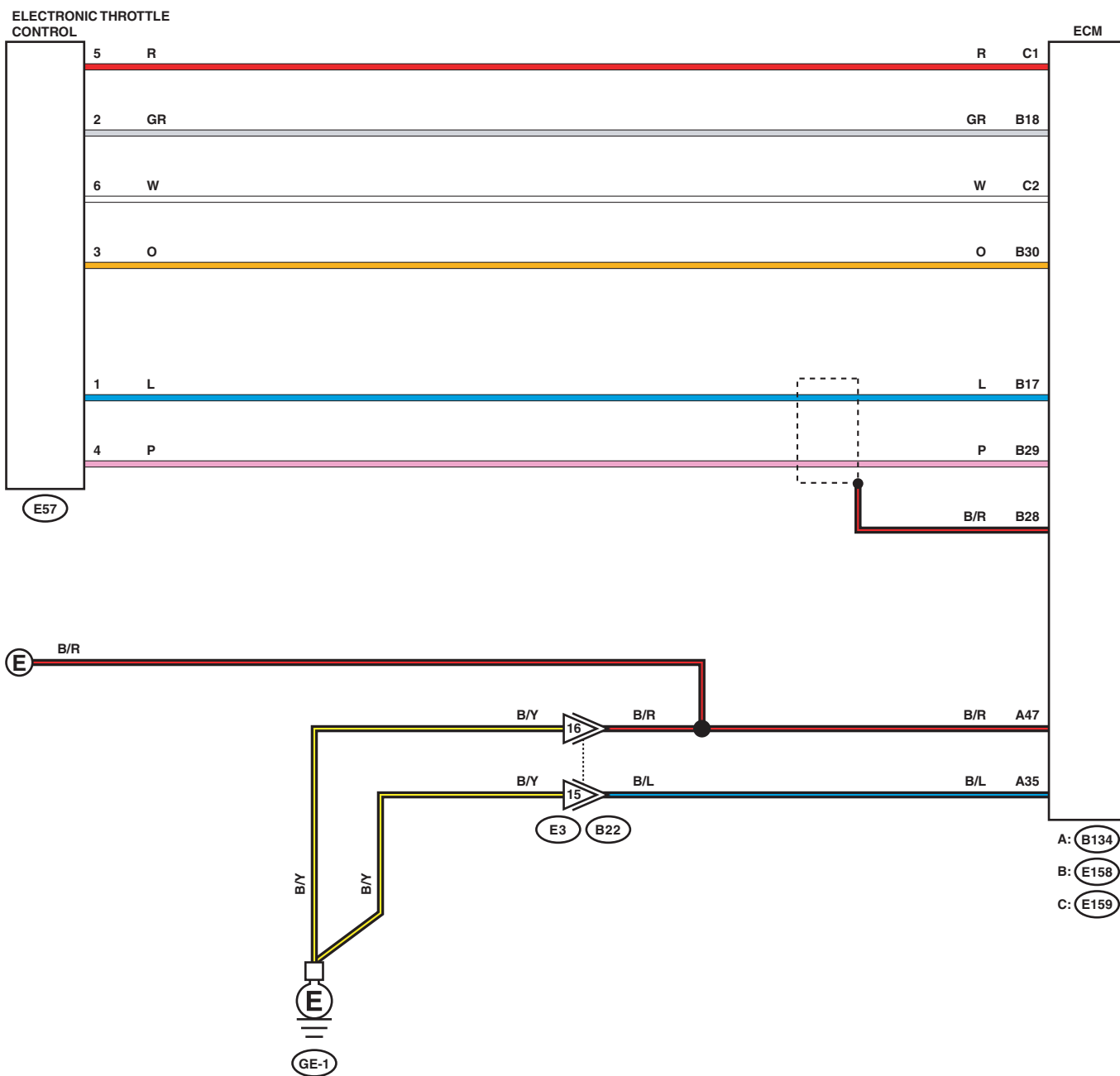
- C0** : C0 MODEL
- U4** : U4 MODEL

WI-40817

EyeSight System

2d

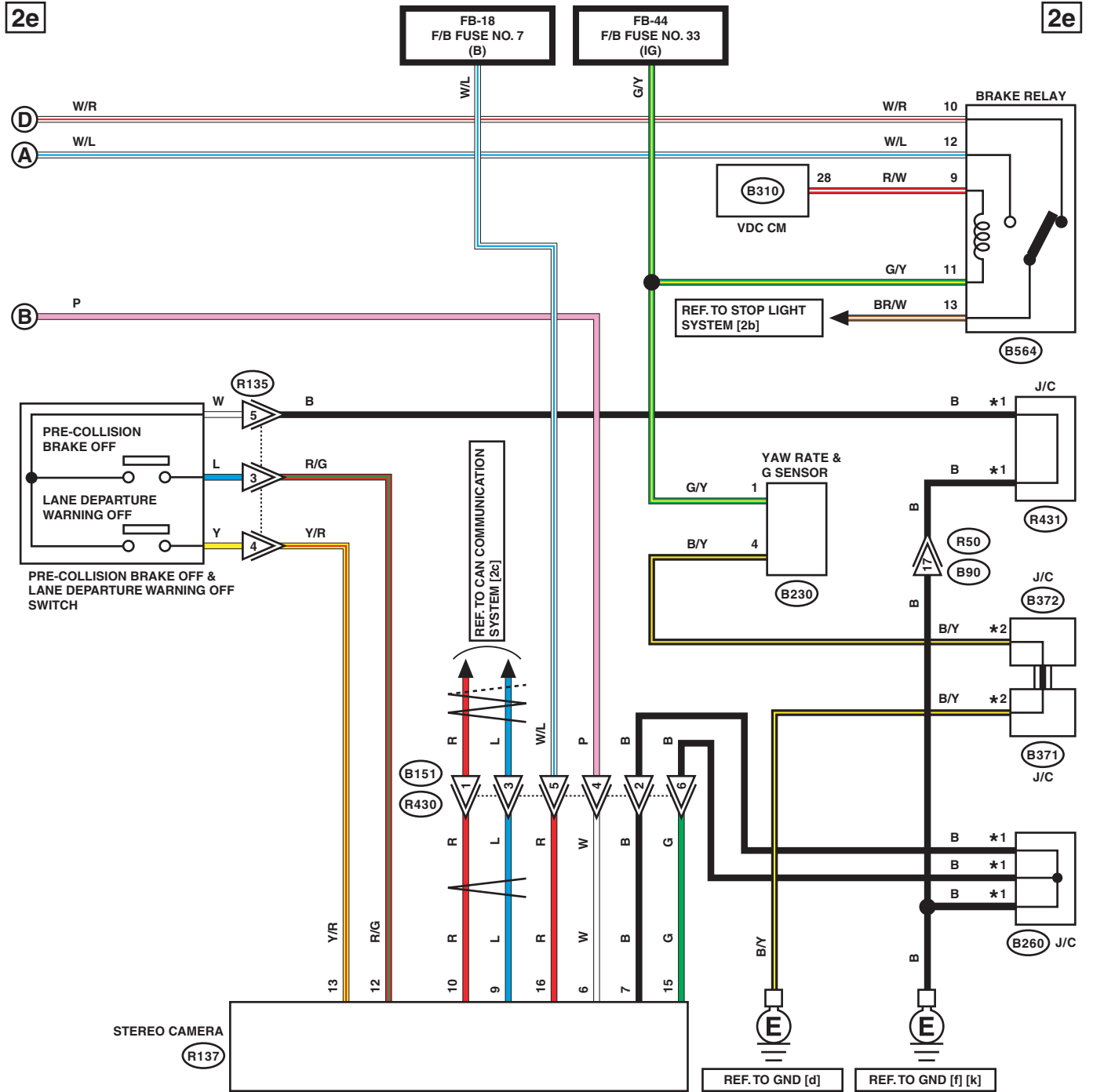
2d



WI-40818

EyeSight System

WIRING SYSTEM



*1 : TERMINAL No. OPTIONAL ARRANGEMENT

*2 : TERMINAL No. OPTIONAL ARRANGEMENT AMONG 1, 2, 3, 4, 5 AND 6

WI-40819

LIST OF CONNECTORS

