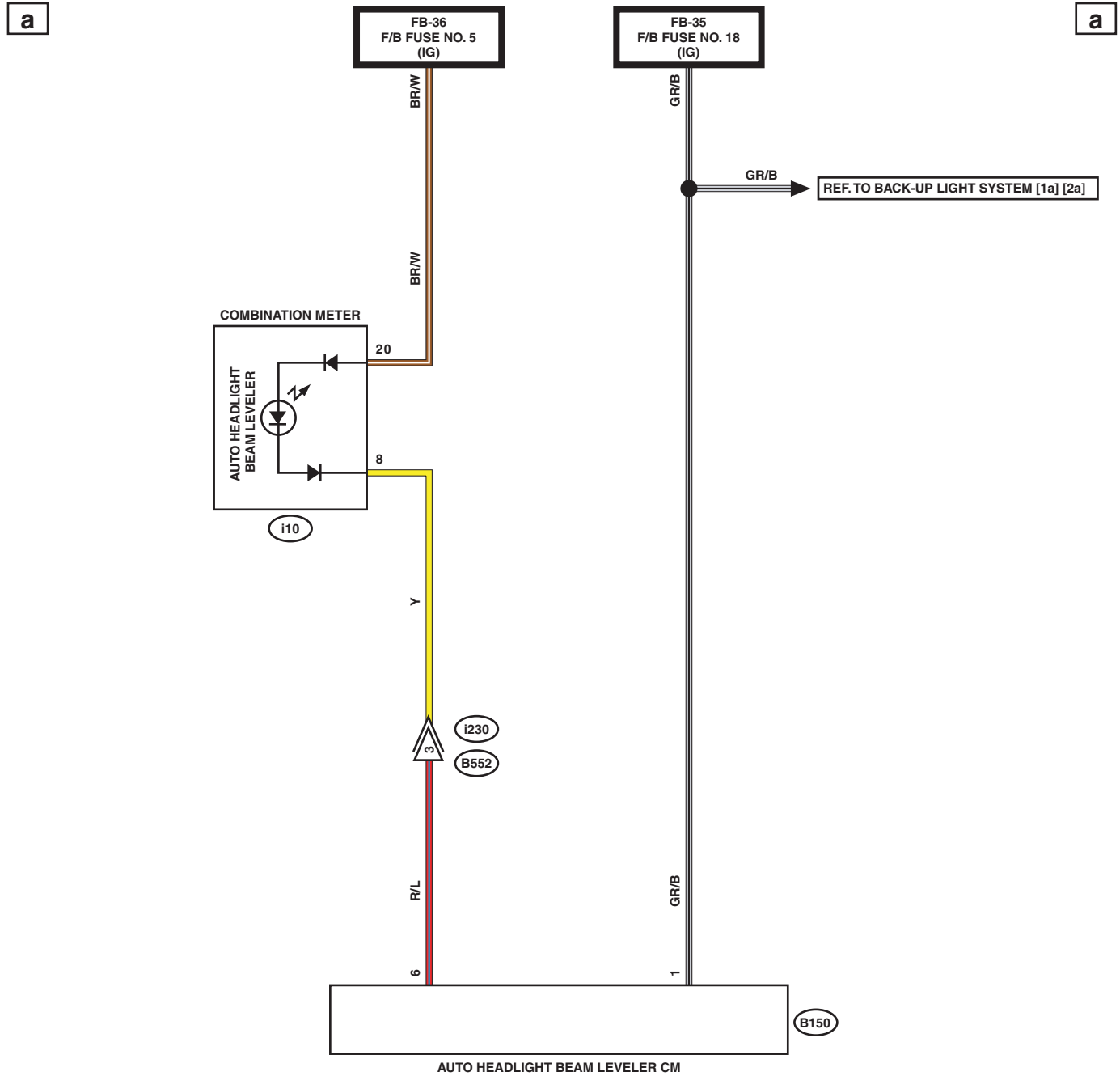


# Headlight Beam Leveler System

WIRING SYSTEM

## 24. Headlight Beam Leveler System

### A: WIRING DIAGRAM



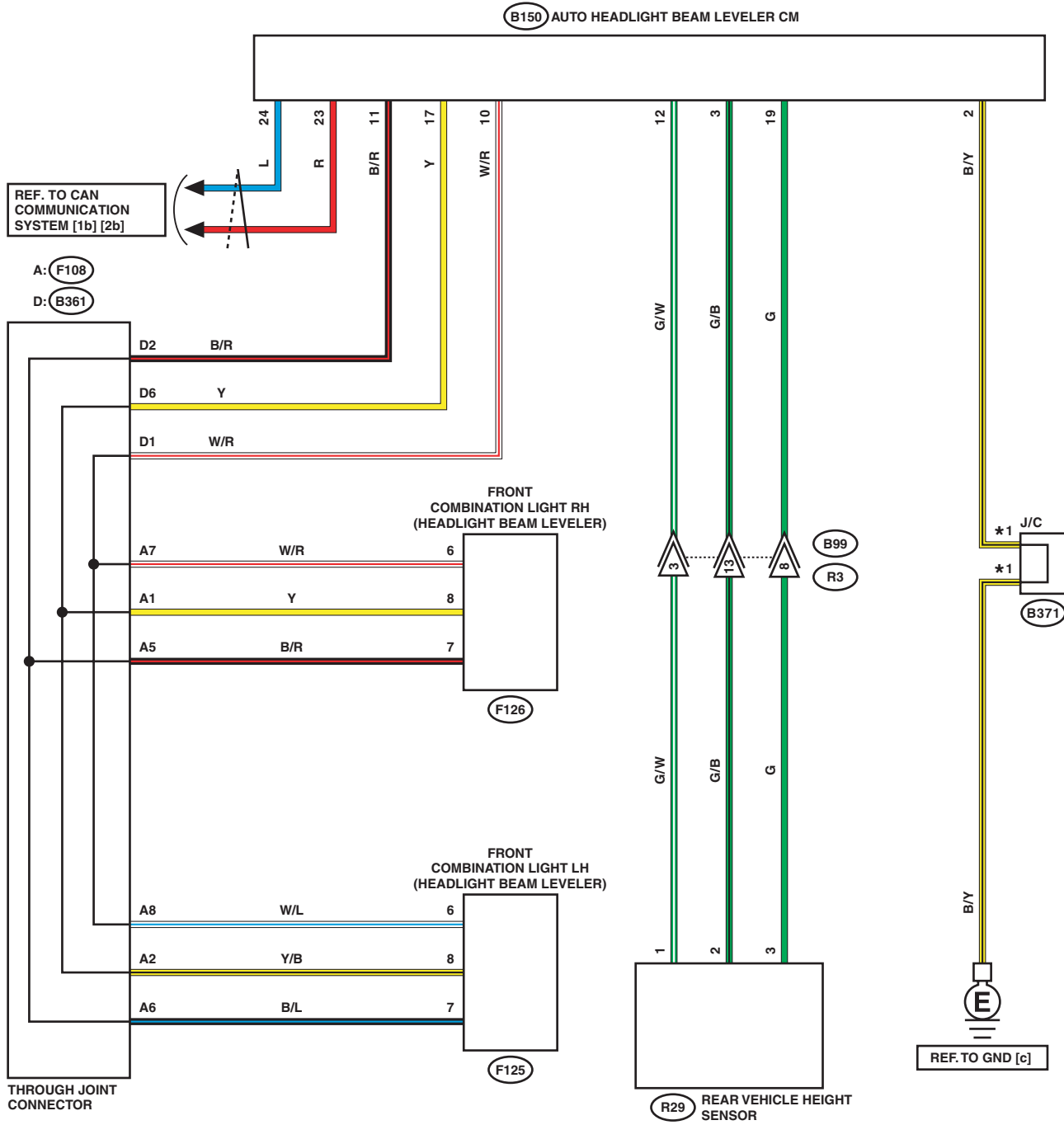
WI-40828

# Headlight Beam Leveler System

WIRING SYSTEM

b

b



\*1 : TERMINAL No. OPTIONAL ARRANGEMENT AMONG 1, 2, 3, 4, 5 AND 6

WI-40829

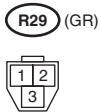
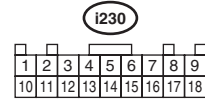
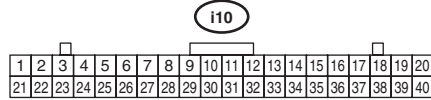
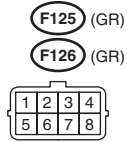
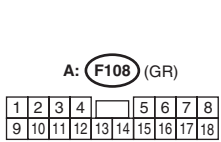
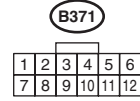
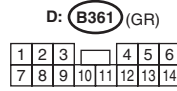
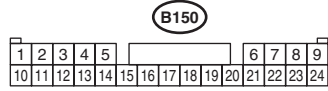
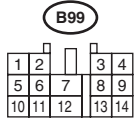
# Headlight Beam Leveler System

WIRING SYSTEM

C

C

## LIST OF CONNECTORS



WI-40830