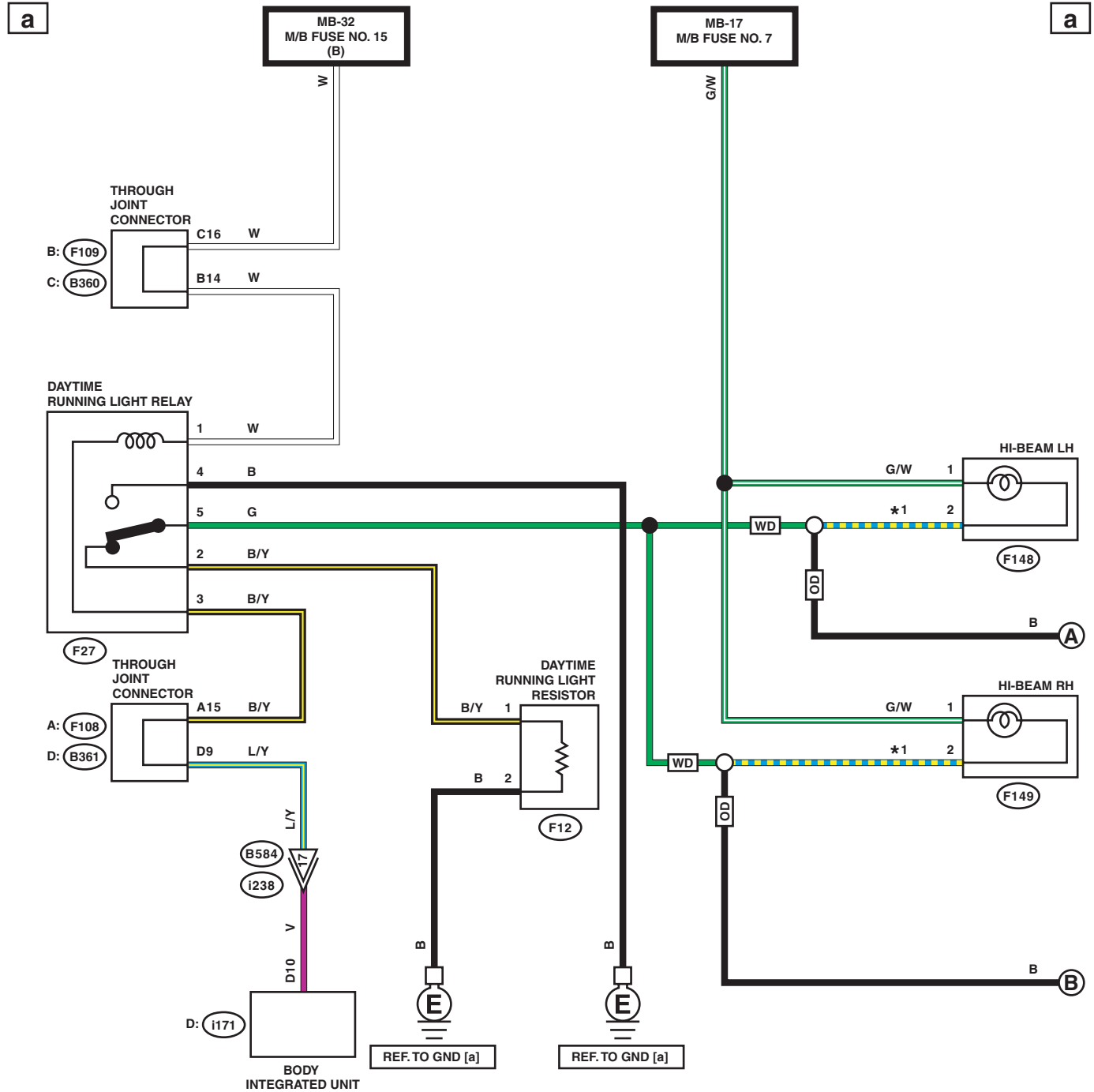


25. Headlight System

A: WIRING DIAGRAM



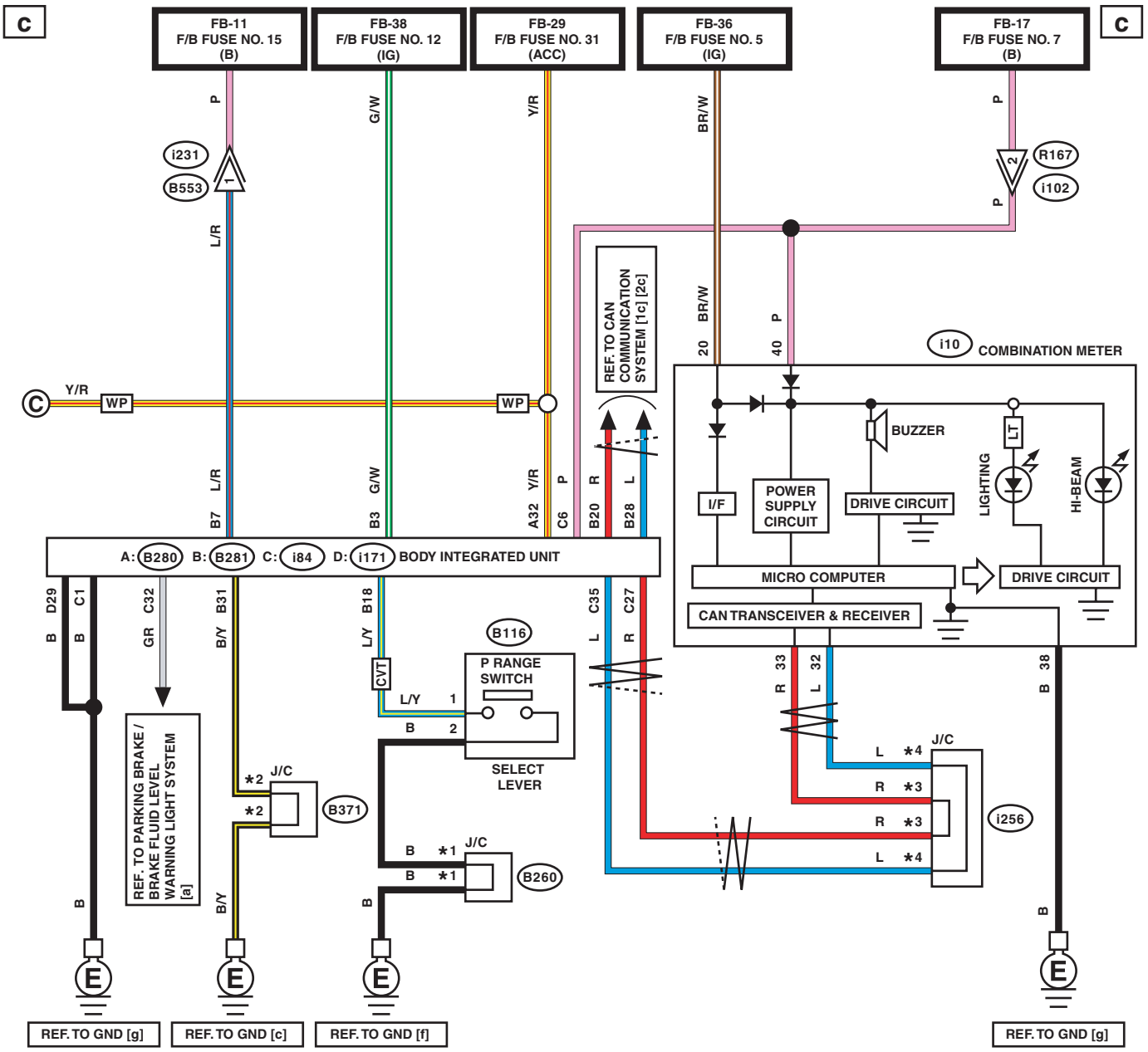
OD : WITHOUT DAYTIME RUNNING LIGHT
WD : WITH DAYTIME RUNNING LIGHT

***1** : WITHOUT DAYTIME RUNNING LIGHT : B
 WITH DAYTIME RUNNING LIGHT : G

WI-40831

Headlight System

WIRING SYSTEM



LT : WITH LIGHTING INDICATOR

WP : WITH PUSH BUTTON START

*1 : TERMINAL No. OPTIONAL ARRANGEMENT

*2 : TERMINAL No. OPTIONAL ARRANGEMENT AMONG 1, 2, 3, 4, 5 AND 6

*3 : TERMINAL No. OPTIONAL ARRANGEMENT AMONG 1, 2, 3, 6, 7 AND 8

*4 : TERMINAL No. OPTIONAL ARRANGEMENT AMONG 4, 5, 9, 10, 11 AND 12

WI-40833

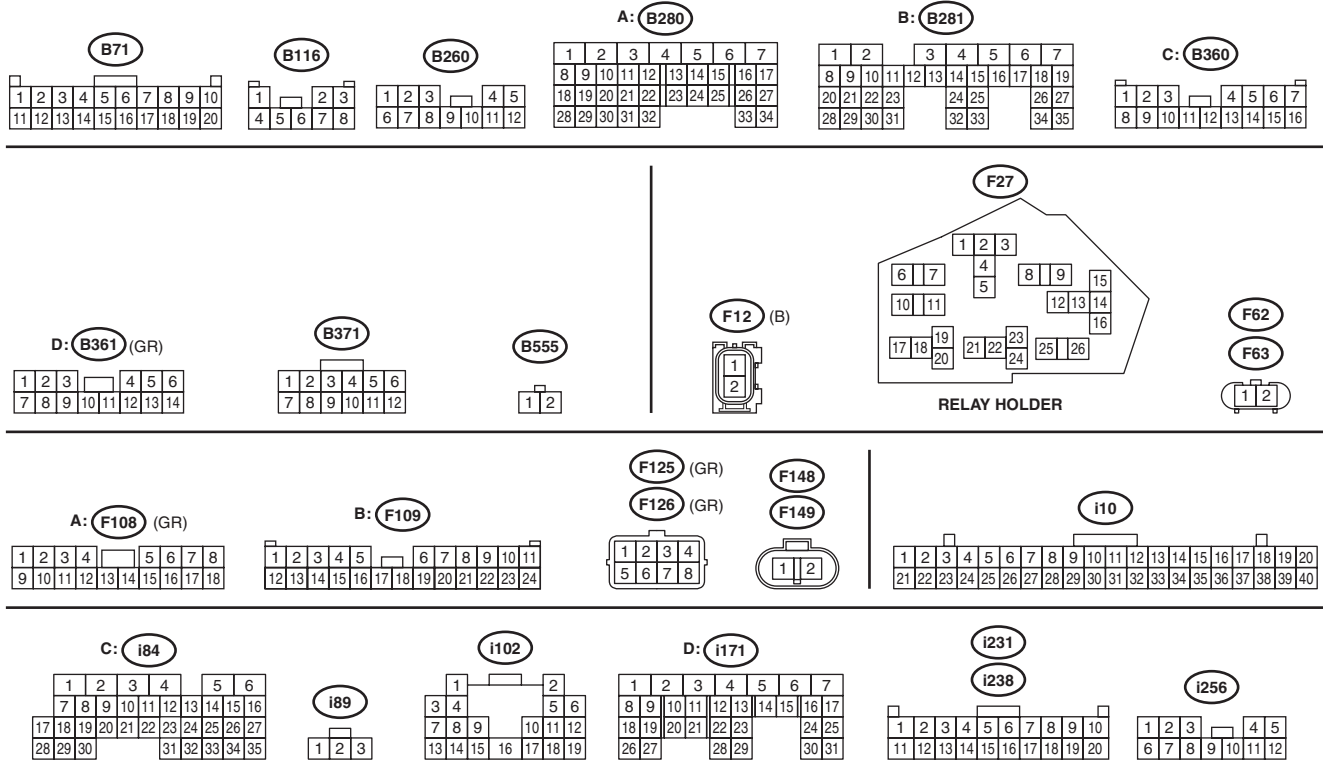
Headlight System

WIRING SYSTEM

d

d

LIST OF CONNECTORS



WI-40834