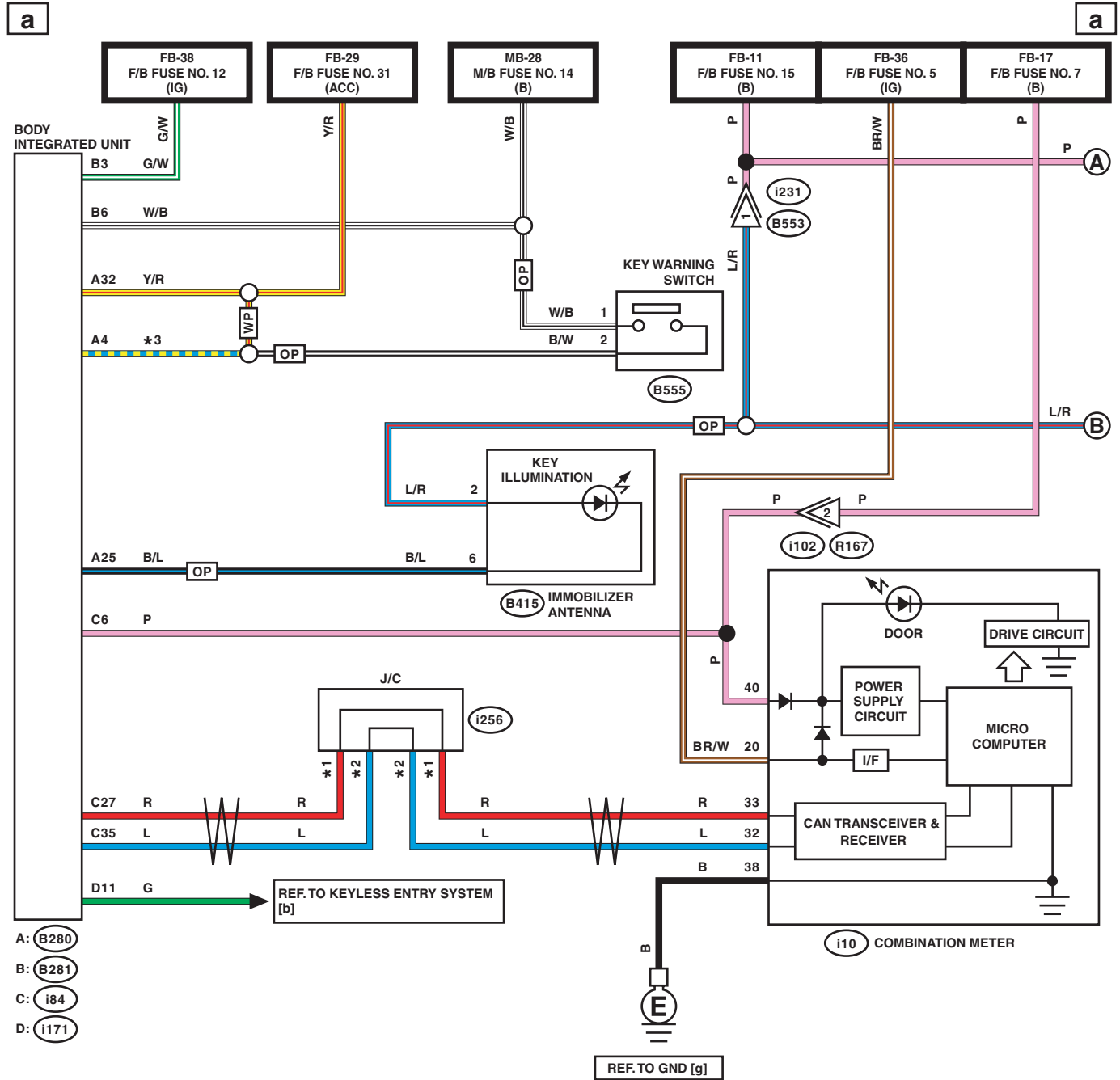


28. Interior Light System

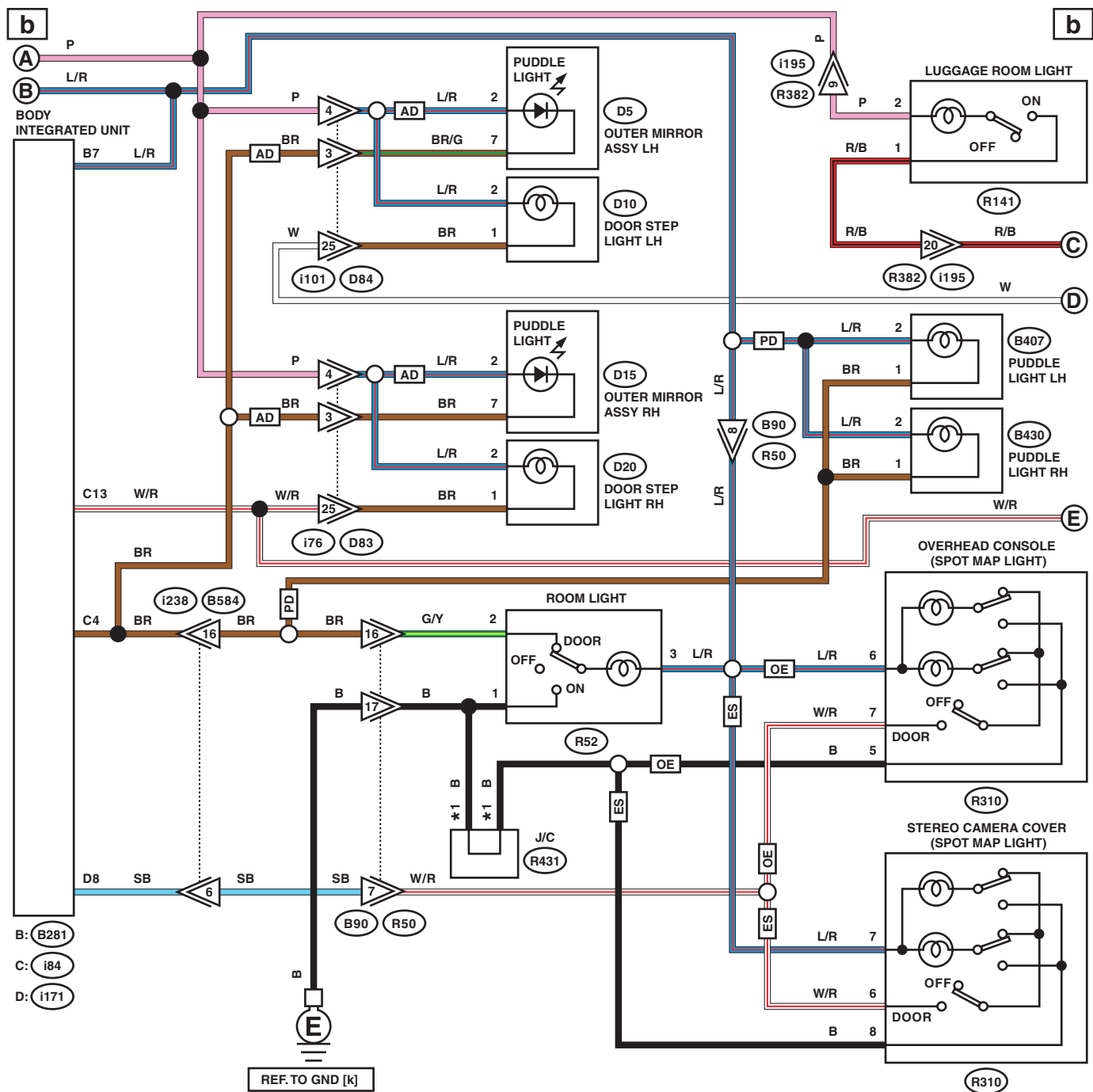
A: WIRING DIAGRAM



WI-40843

Interior Light System

WIRING SYSTEM



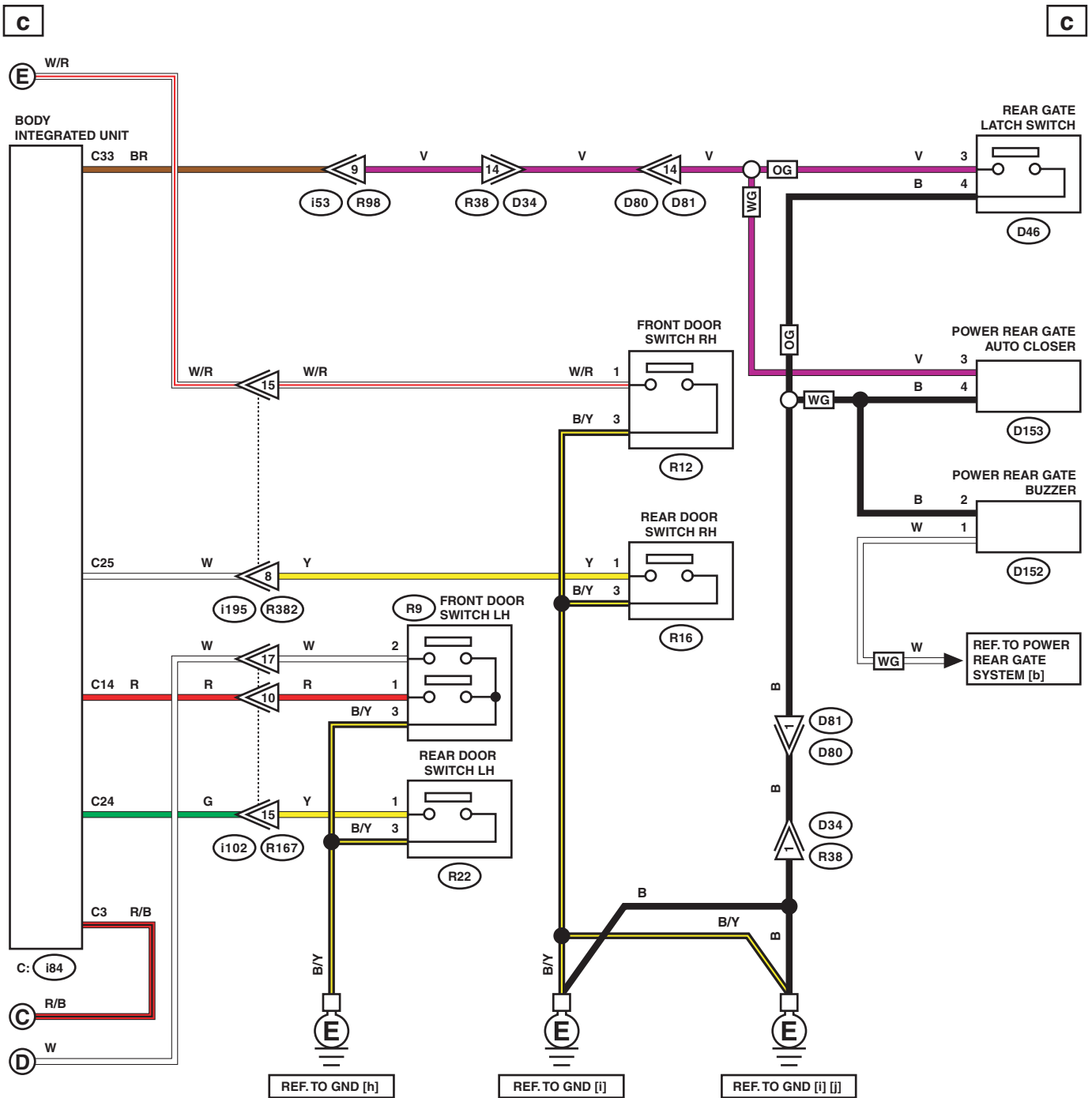
OE : WITHOUT EyeSight
ES : WITH EyeSight
AD : WITH AUTOMATIC ANTI-GLARE

PD : WITH PUDDLE LIGHT
 *1 : TERMINAL No. OPTIONAL ARRANGEMENT

WI-40844

Interior Light System

WIRING SYSTEM



WI-40845

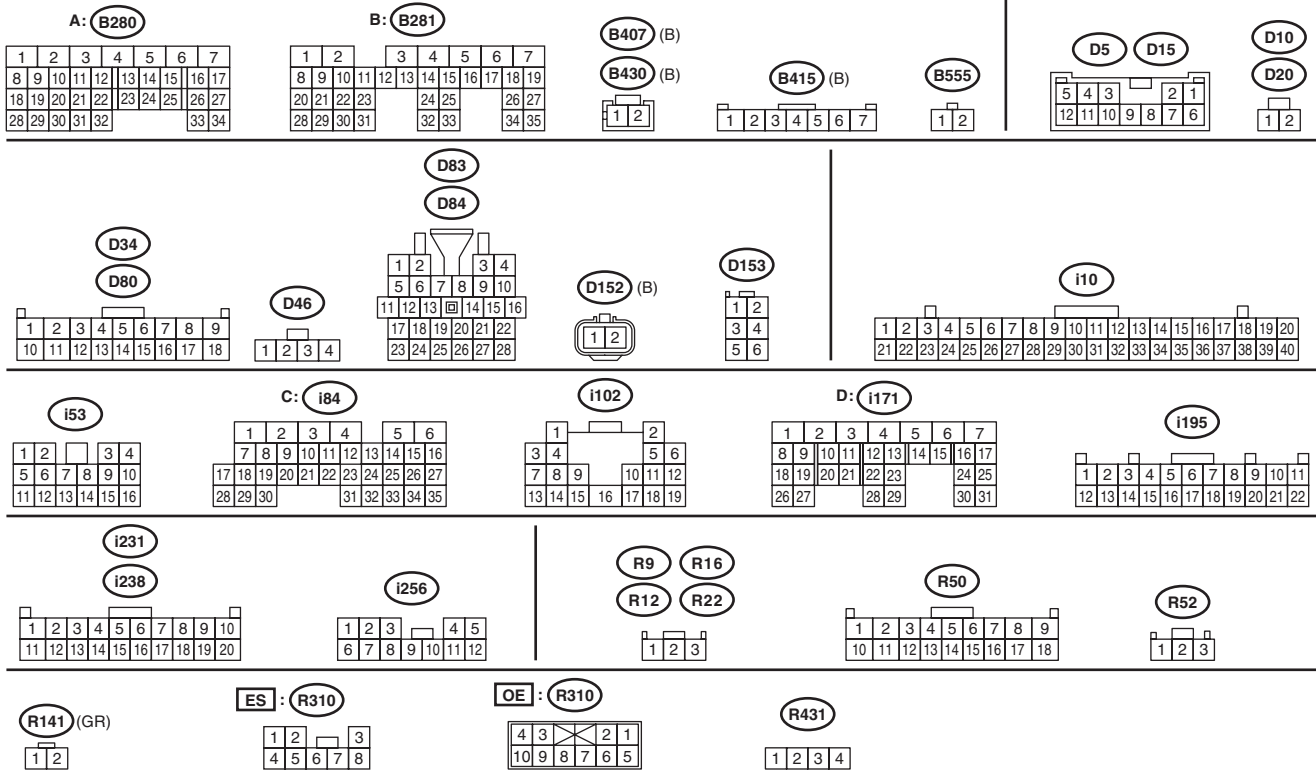
Interior Light System

WIRING SYSTEM

d

d

LIST OF CONNECTORS



OE : WITHOUT EyeSight

ES : WITH EyeSight