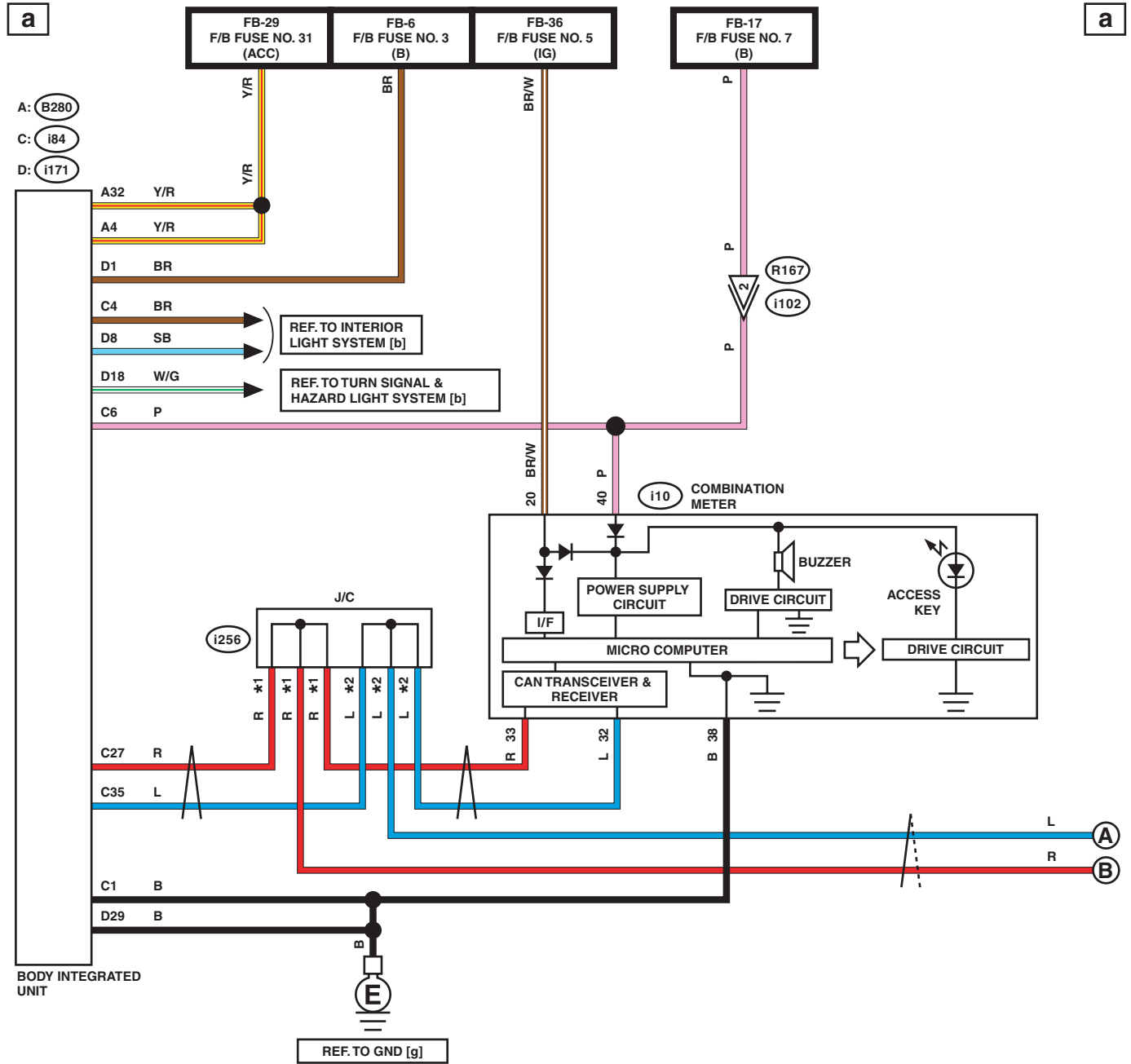


29. Keyless Access System

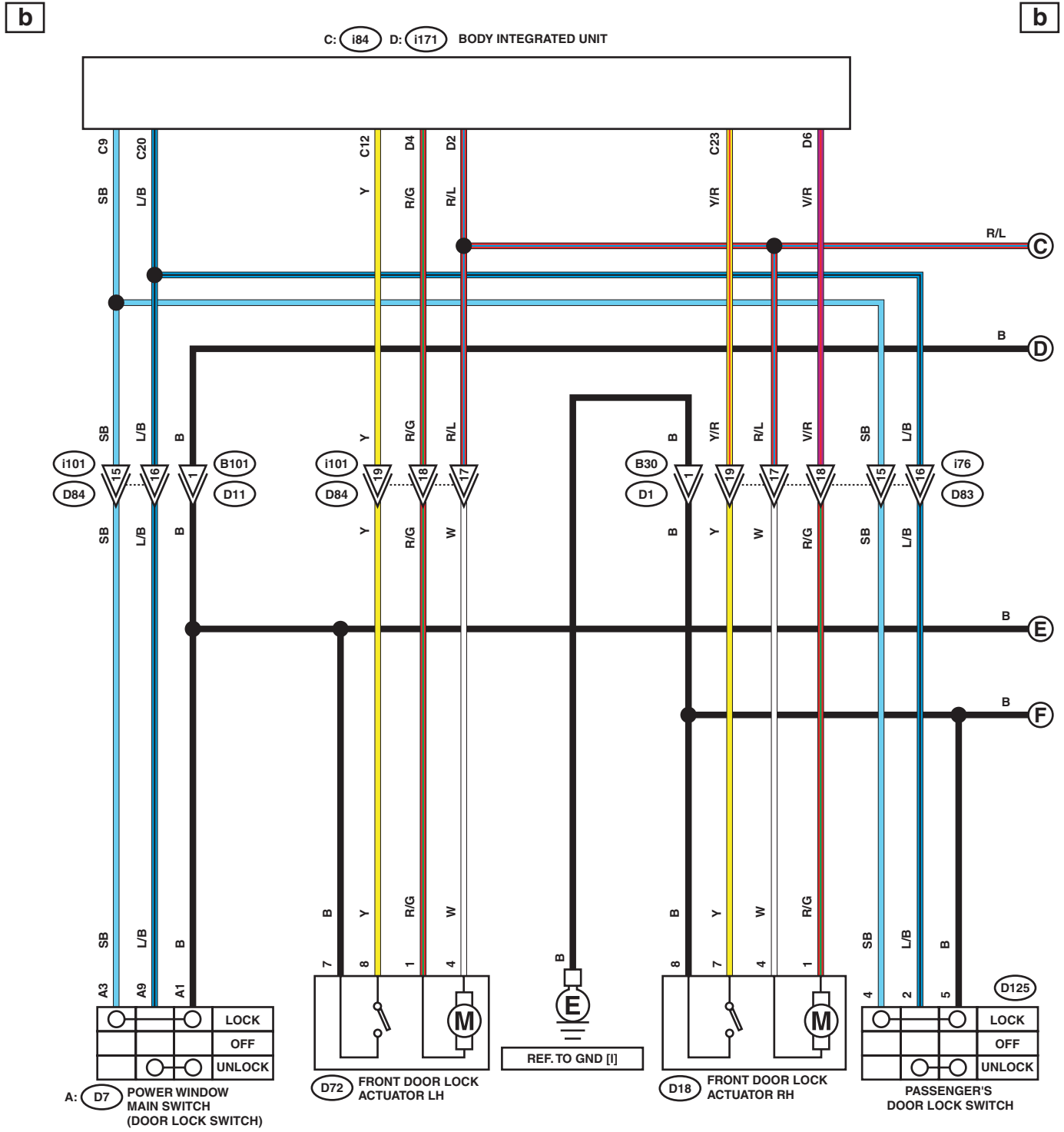
A: WIRING DIAGRAM



*1 : TERMINAL No. OPTIONAL ARRANGEMENT AMONG 1, 2, 3, 6, 7 AND 8
 *2 : TERMINAL No. OPTIONAL ARRANGEMENT AMONG 4, 5, 9, 10, 11 AND 12

Keyless Access System

WIRING SYSTEM



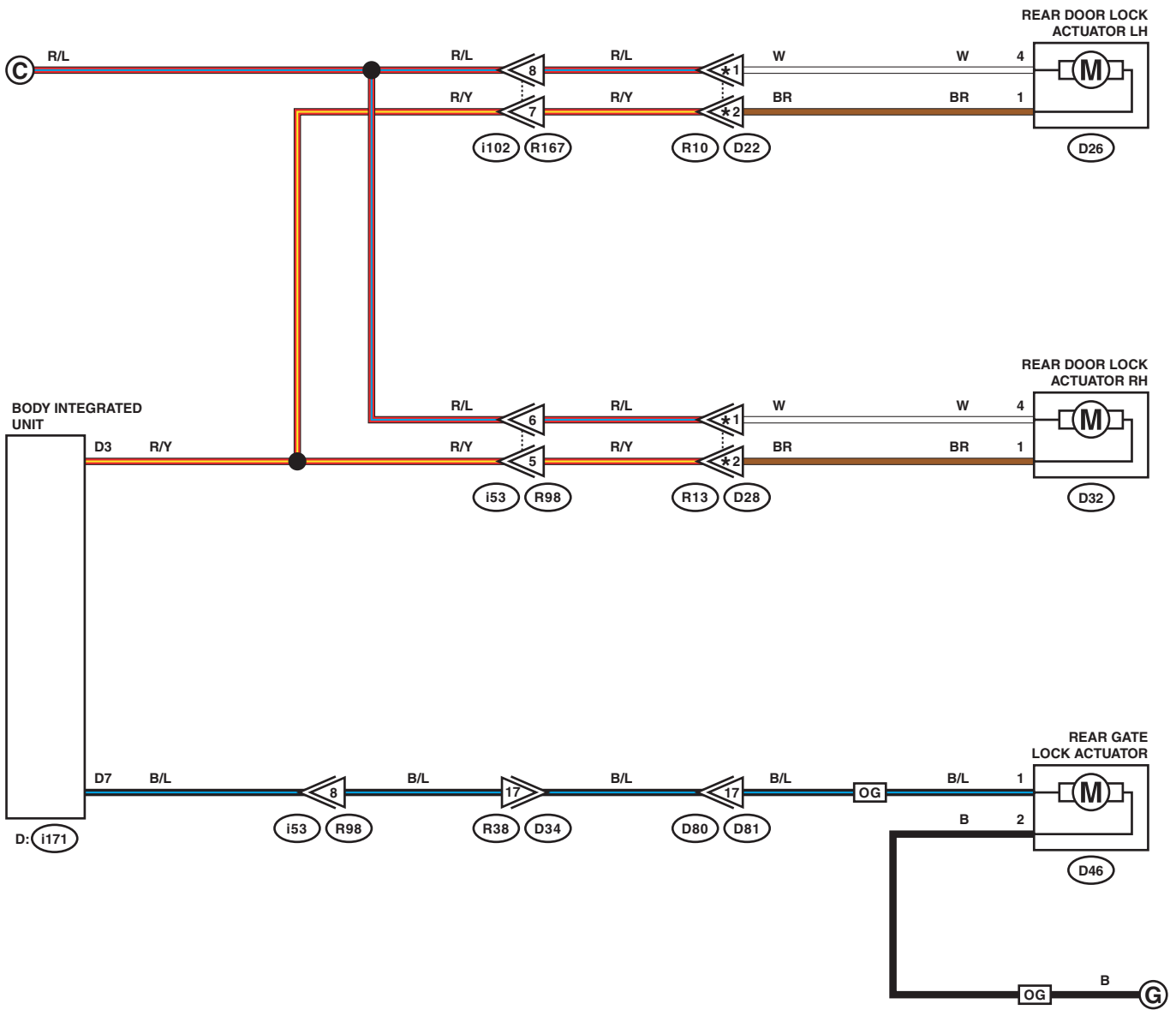
WI-40848

Keyless Access System

WIRING SYSTEM

C

C



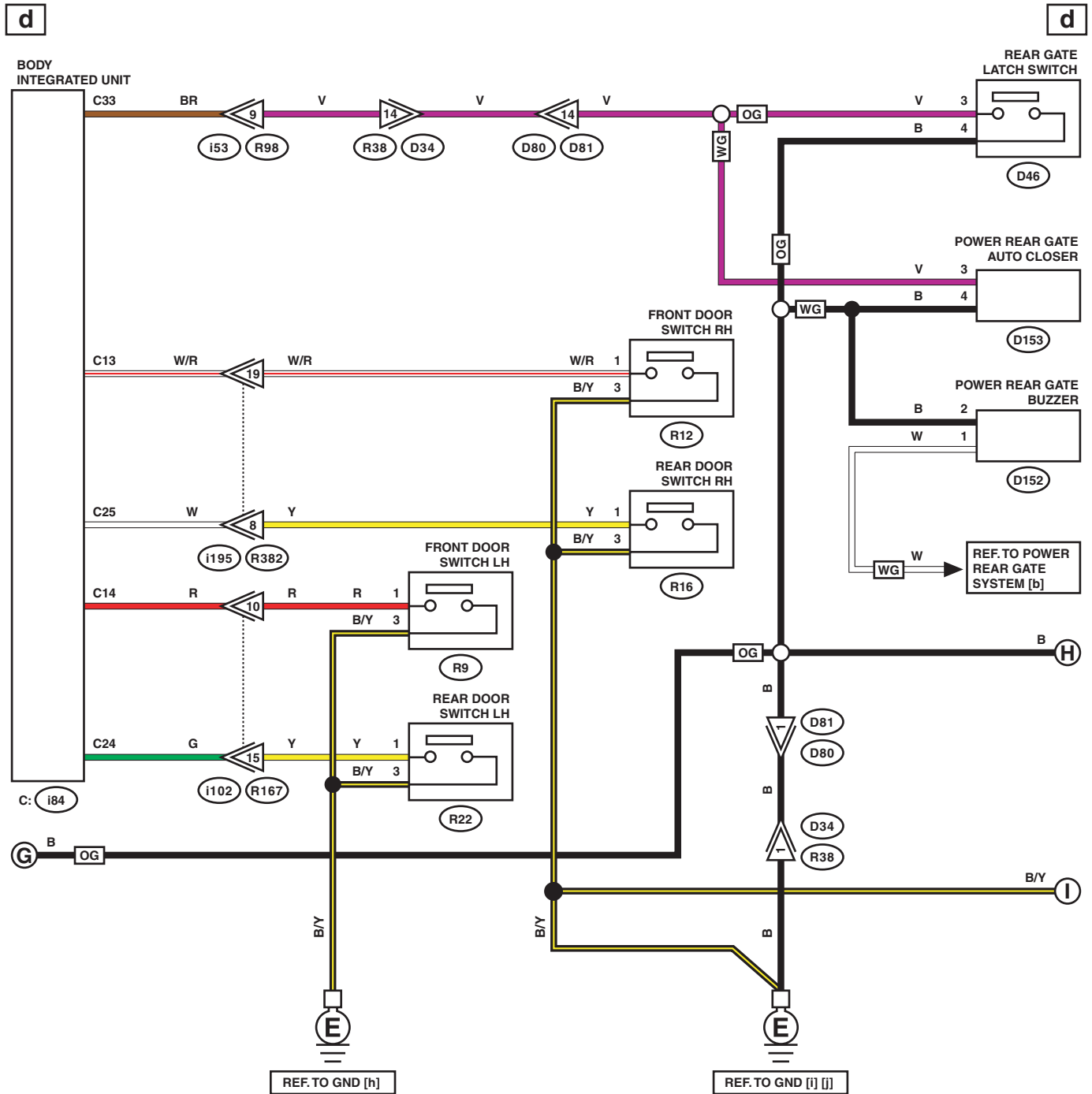
OG : WITHOUT POWER REAR GATE

*1 : MODEL WITH STANDARD AUDIO : 4
 MODEL WITH HIGH GRADE AUDIO : 6
 *2 : MODEL WITH STANDARD AUDIO : 5
 MODEL WITH HIGH GRADE AUDIO : 7

WI-40849

Keyless Access System

WIRING SYSTEM



OG : WITHOUT POWER REAR GATE

WG : WITH POWER REAR GATE

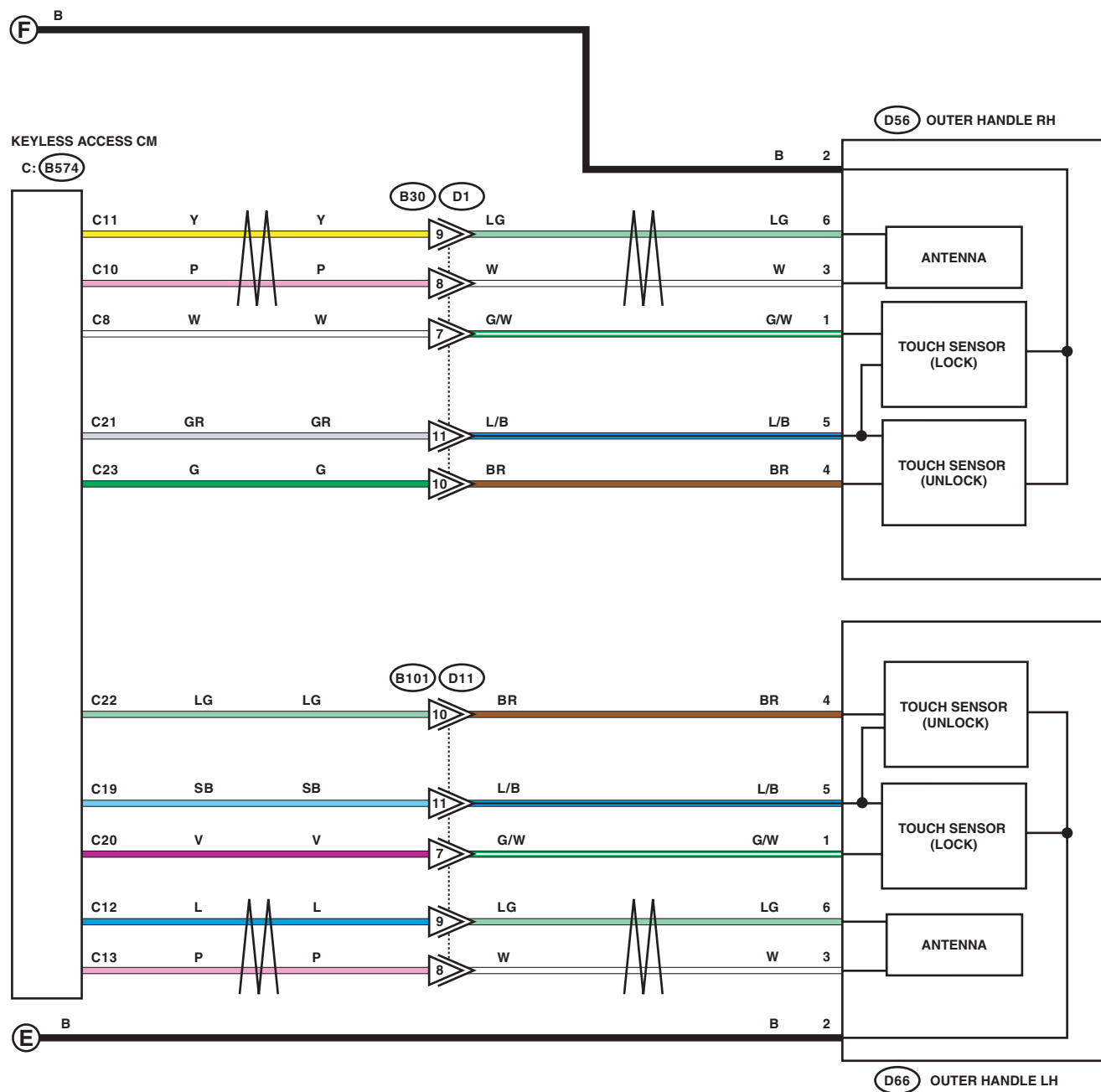
WI-40850

Keyless Access System

WIRING SYSTEM

e

e



WI-40851

Keyless Access System

WIRING SYSTEM

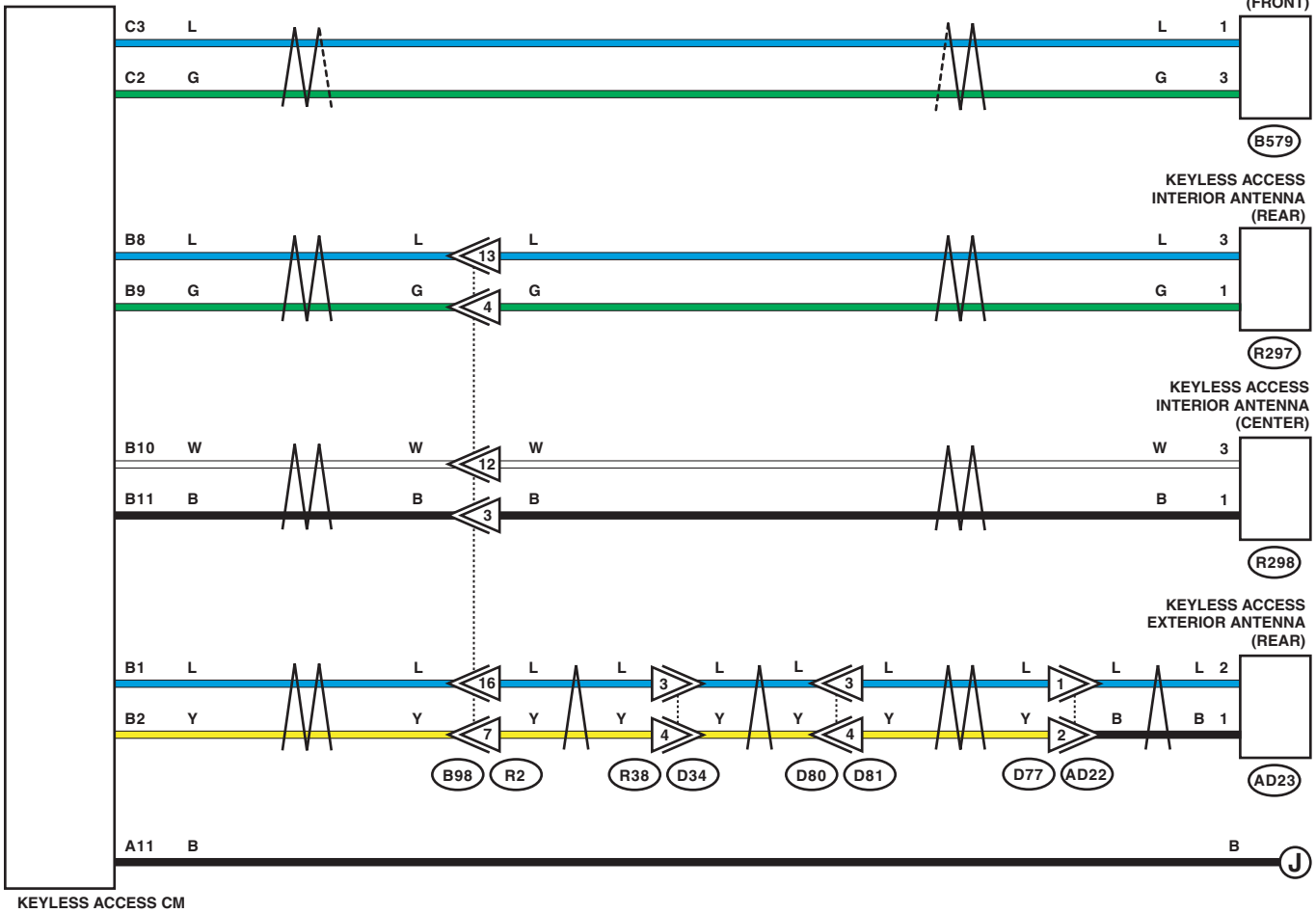
f

f

A: (B572)

B: (B573)

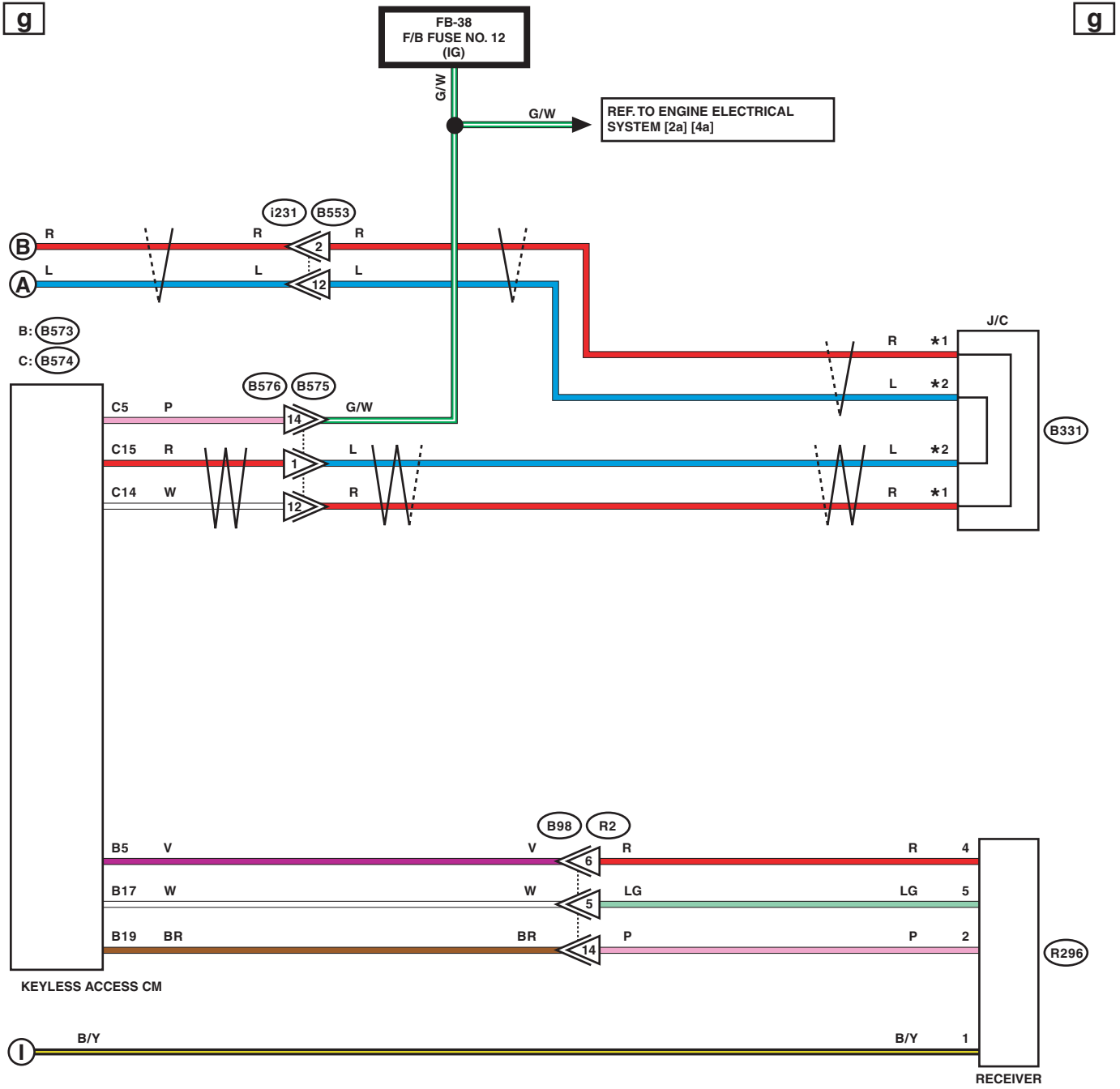
C: (B574)



WI-40852

Keyless Access System

WIRING SYSTEM

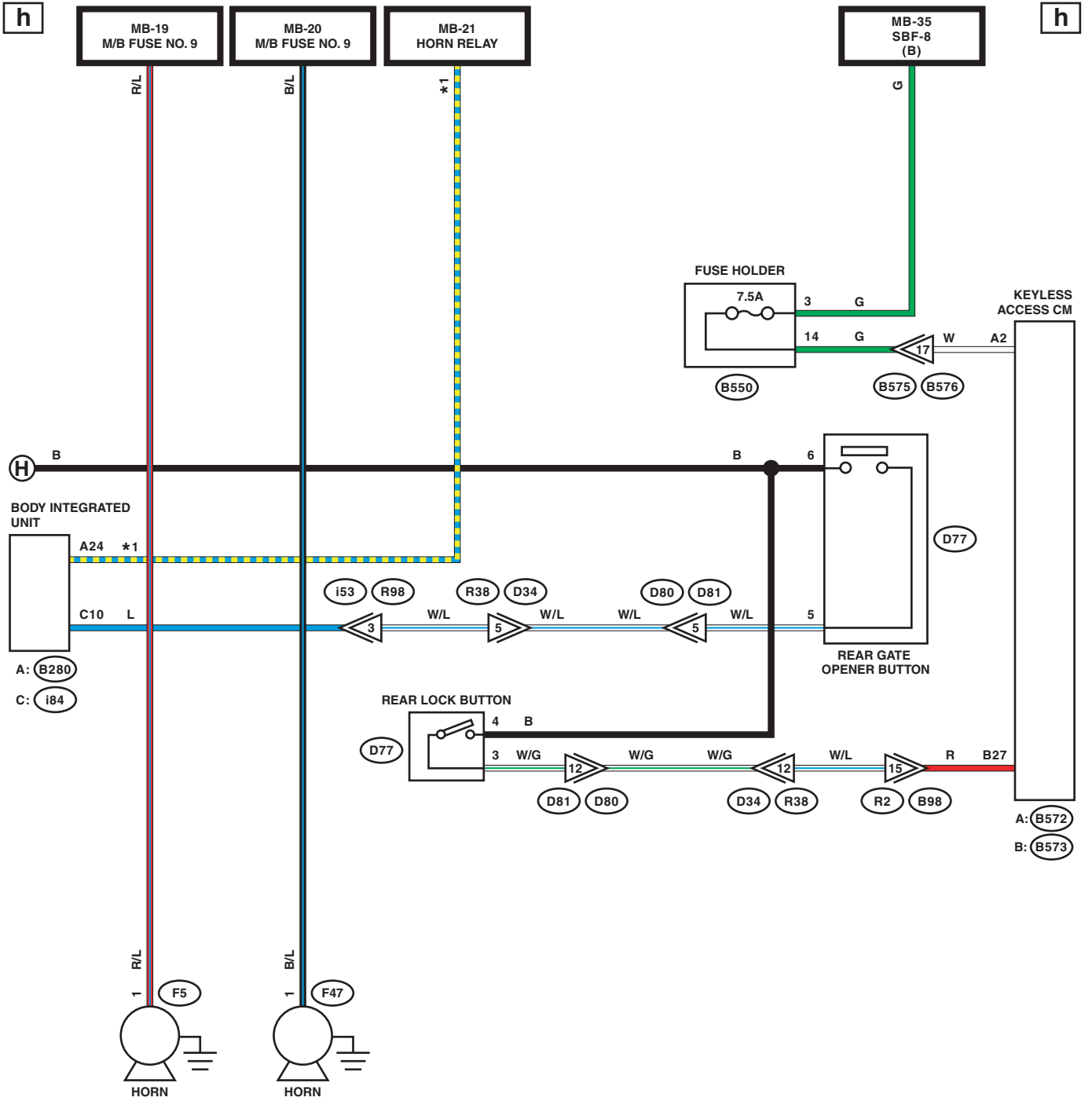


*1 : TERMINAL No. OPTIONAL ARRANGEMENT AMONG 1, 2, 3, 4, 5, 6, 7, 8, 9, 10 AND 11
 *2 : TERMINAL No. OPTIONAL ARRANGEMENT AMONG 12, 13, 14, 15, 16, 17, 18, 19, 20, 21 AND 22

WI-40853

Keyless Access System

WIRING SYSTEM

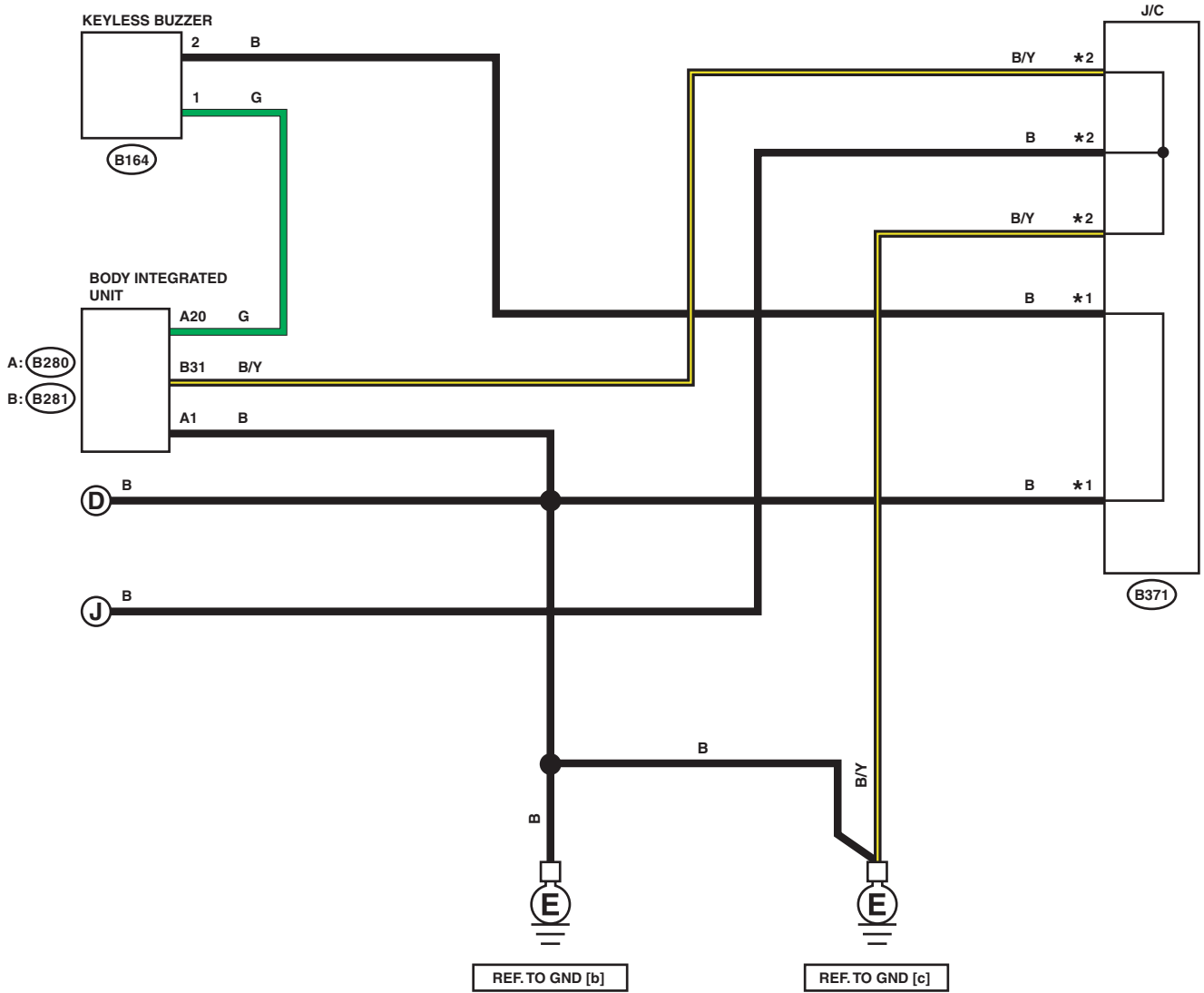


*1 : NON-TURBO MODEL : R
TURBO MODEL : Y

WI-40854

Keyless Access System

WIRING SYSTEM



WI-40855

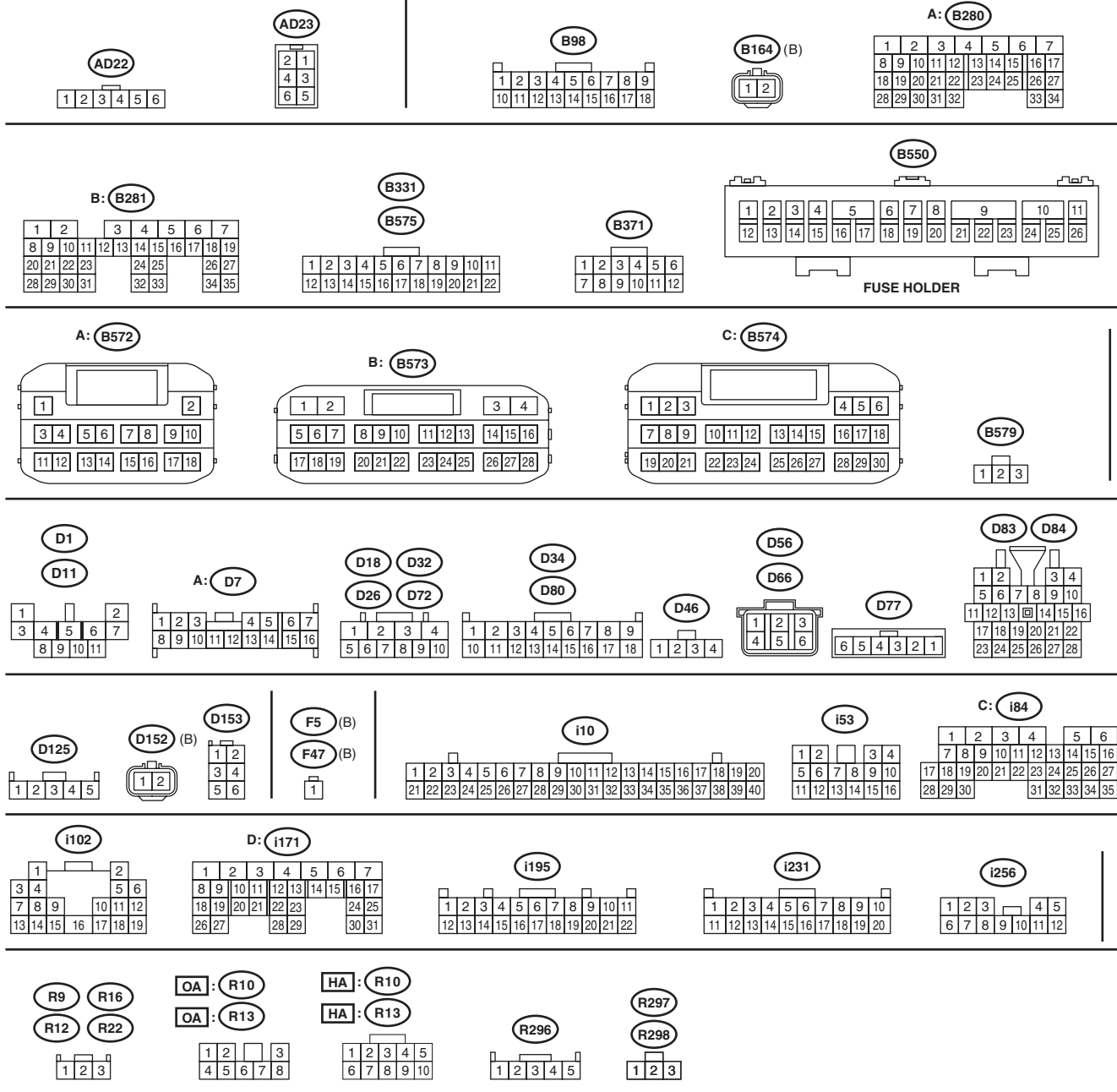
Keyless Access System

WIRING SYSTEM

j

LIST OF CONNECTORS

j



OA : MODEL WITH STANDARD AUDIO

HA : MODEL WITH HIGH GRADE AUDIO

WI-40856