

Fuse And Relay

WIRING SYSTEM

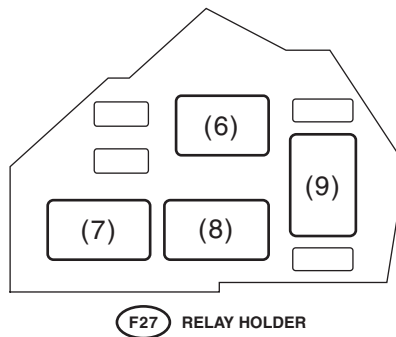
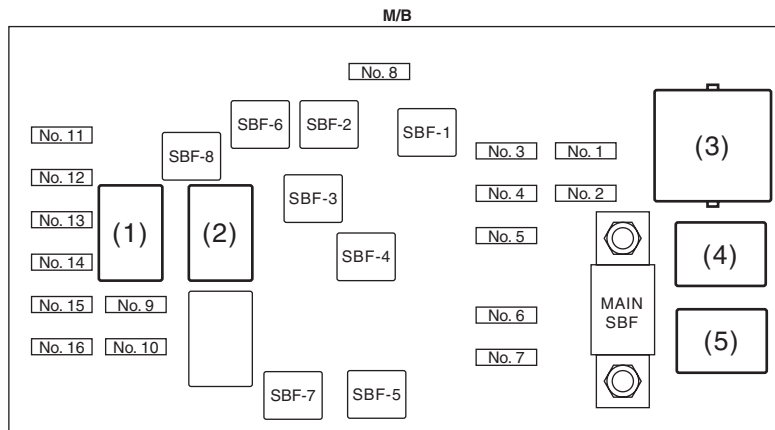
3. Fuse And Relay

A: LOCATION

1. WITHOUT PUSH BUTTON START (ENGINE COMPARTMENT SIDE)

1a

1a



- (1) HORN RELAY
- (2) REAR DEFOGGER RELAY
- (3) MAIN FAN RELAY 1
- (4) HEADLIGHT RELAY LO

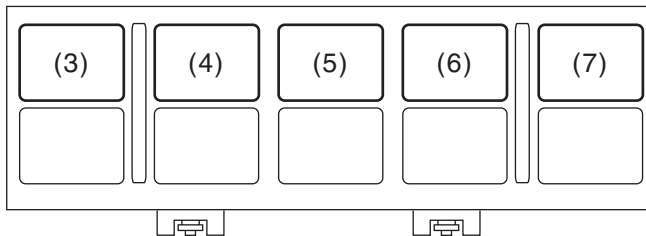
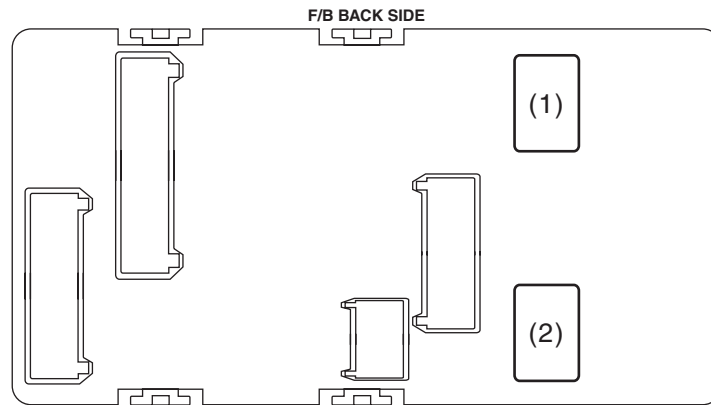
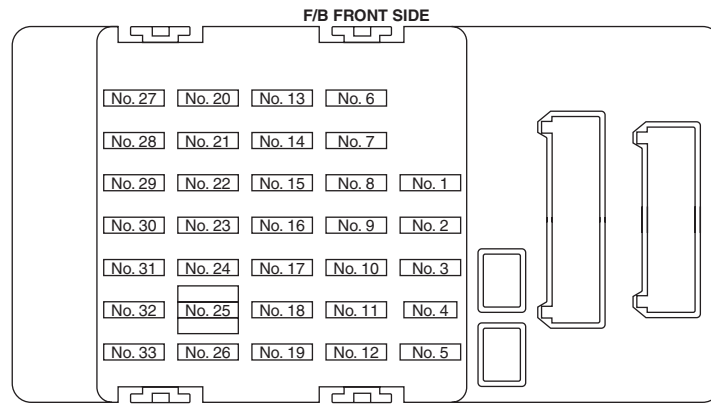
- (5) HEADLIGHT RELAY HI
- (6) DAYTIME RUNNING LIGHT RELAY
- (7) SUB FAN RELAY
- (8) A/C RELAY
- (9) MAIN FAN RELAY 2

WI-40613

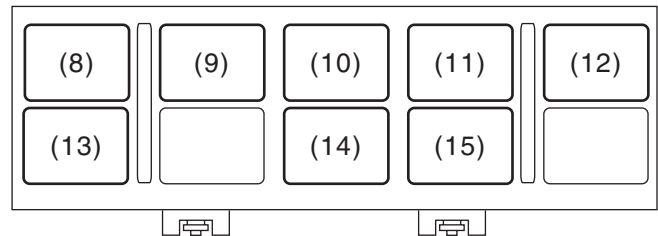
2. WITHOUT PUSH BUTTON START (PASSENGER ROOM SIDE)

2a

2a



B225 RELAY HOLDER



B220 RELAY HOLDER

- | | |
|---------------------------------------|---------------------------------------|
| (1) IG 2 RELAY | (8) FUEL PUMP RELAY (NON-TURBO MODEL) |
| (2) ACCESSORY RELAY | (9) IG RELAY |
| (3) STARTER RELAY 1 | (10) MAIN RELAY |
| (4) POWER WINDOW RELAY | (11) SELF SHUT RELAY |
| (5) TAIL & ILLUMINATION RELAY | (12) FUEL PUMP RELAY (TURBO MODEL) |
| (6) ELECTRONIC THROTTLE CONTROL RELAY | (13) FRONT FOG LIGHT RELAY |
| (7) A/F, OXYGEN SENSOR RELAY | (14) WIPER DEICER RELAY |
| | (15) SEAT HEATER RELAY |

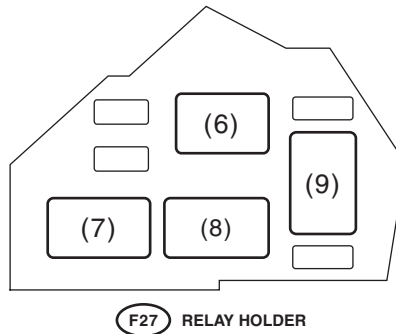
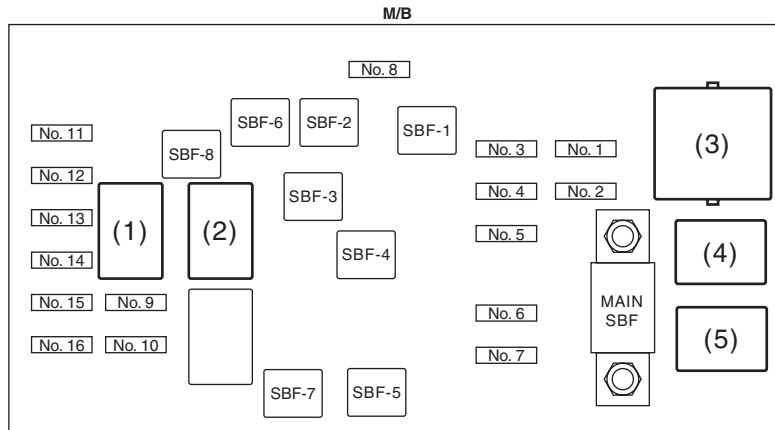
Fuse And Relay

WIRING SYSTEM

3. WITH PUSH BUTTON START (ENGINE COMPARTMENT SIDE)

3a

3a



- (1) HORN RELAY
- (2) REAR DEFOGGER RELAY
- (3) MAIN FAN RELAY 1
- (4) HEADLIGHT RELAY LO

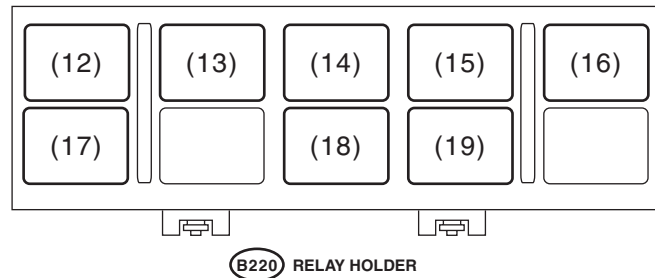
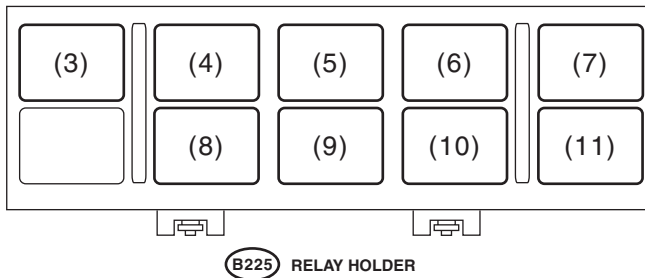
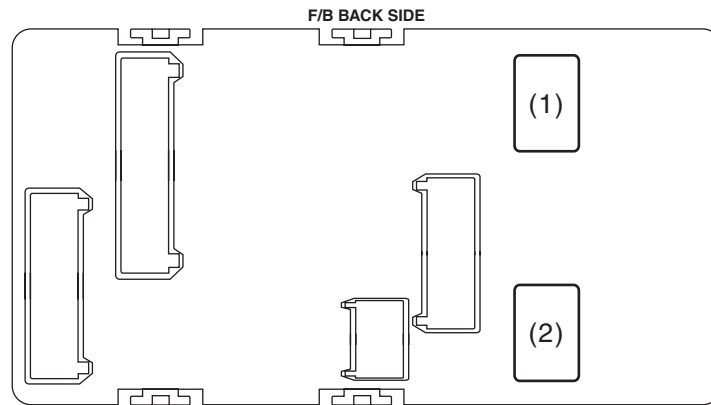
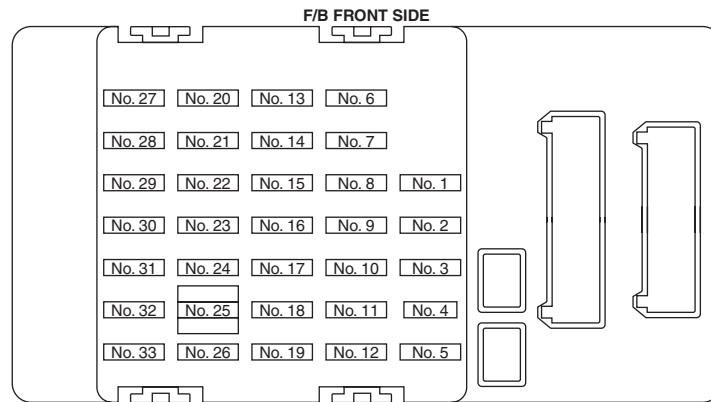
- (5) HEADLIGHT RELAY HI
- (6) DAYTIME RUNNING LIGHT RELAY
- (7) SUB FAN RELAY
- (8) A/C RELAY
- (9) MAIN FAN RELAY 2

WI-40615

4. WITH PUSH BUTTON START (PASSENGER ROOM SIDE)

4a

4a



- | | |
|---------------------------------------|----------------------------------------|
| (1) IG 2 RELAY | (10) IG RELAY 1 |
| (2) ACCESSORY RELAY | (11) STARTER CUT RELAY |
| (3) STARTER RELAY 1 | (12) FUEL PUMP RELAY (NON-TURBO MODEL) |
| (4) POWER WINDOW RELAY | (13) IG RELAY |
| (5) TAIL & ILLUMINATION RELAY | (14) MAIN RELAY |
| (6) ELECTRONIC THROTTLE CONTROL RELAY | (15) SELF SHUT RELAY |
| (7) A/F, OXYGEN SENSOR RELAY | (16) FUEL PUMP RELAY (TURBO MODEL) |
| (8) STARTER RELAY (PUSH BUTTON START) | (17) FRONT FOG LIGHT RELAY |
| (9) IG RELAY 2 | (18) WIPER DEICER RELAY |
| | (19) SEAT HEATER RELAY |

WI-40616