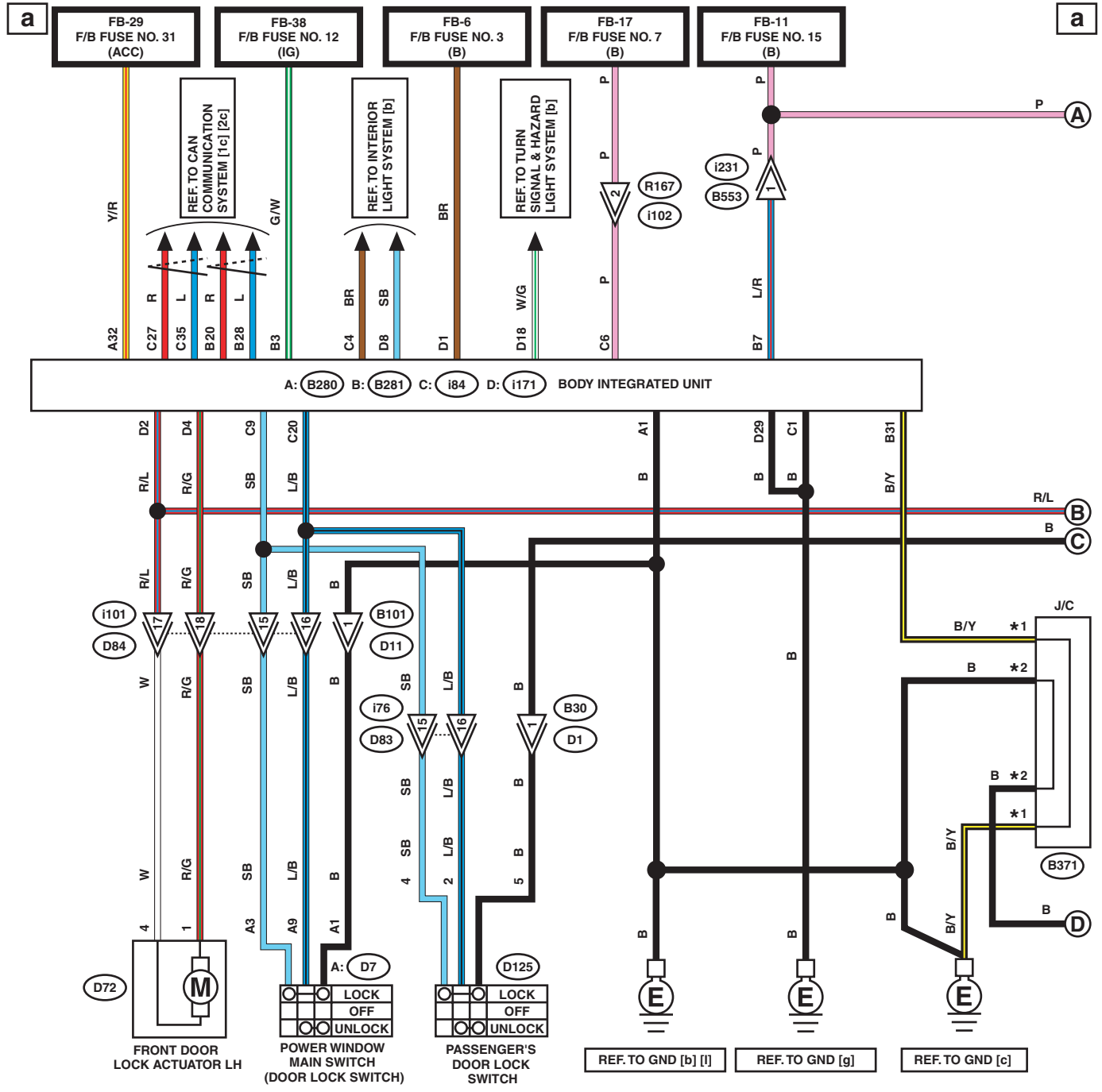


30.Keyless Entry System

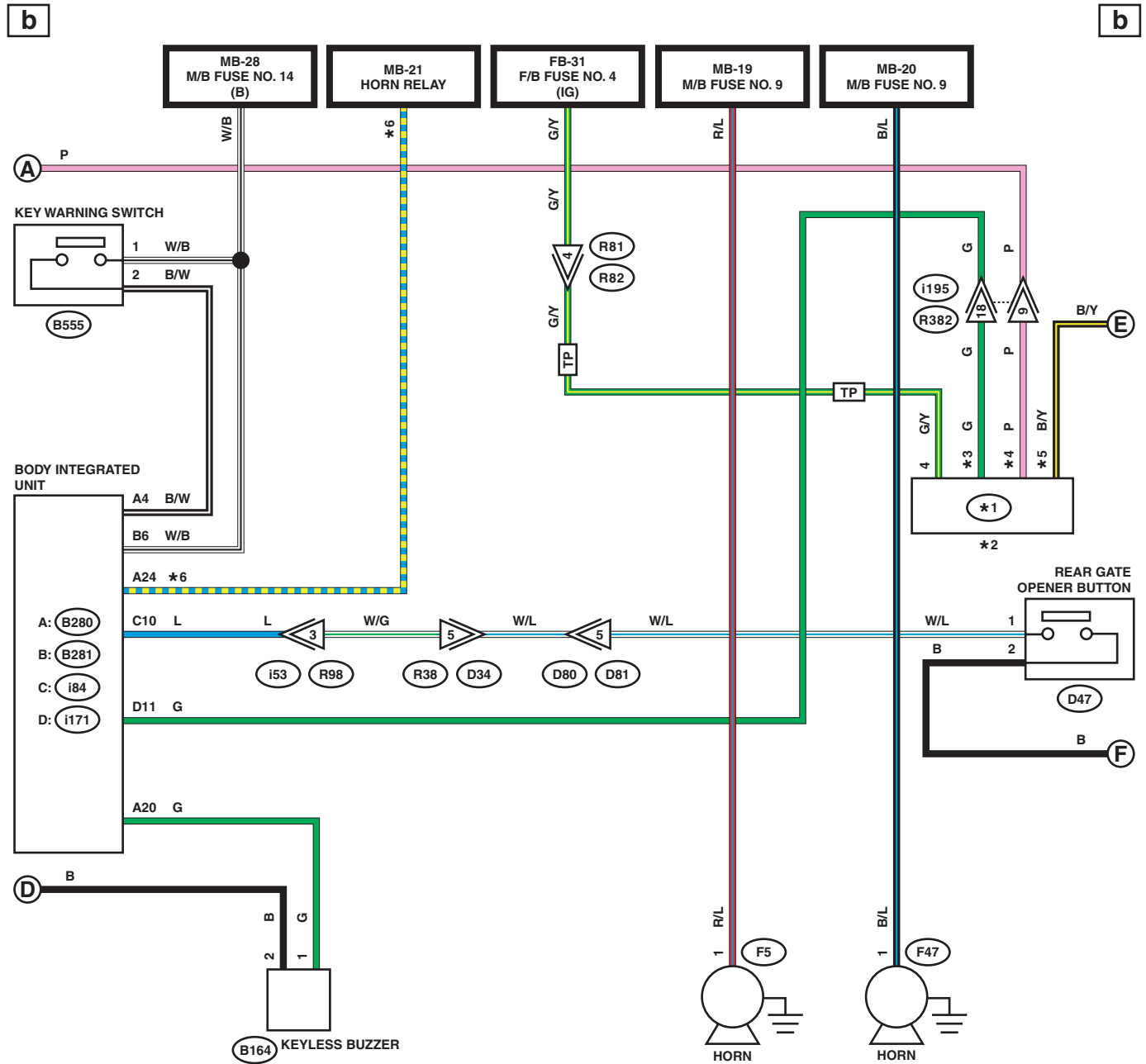
A: WIRING DIAGRAM



*1 : TERMINAL No. OPTIONAL ARRANGEMENT AMONG 1, 2, 3, 4, 5 AND 6
 *2 : TERMINAL No. OPTIONAL ARRANGEMENT AMONG 7, 8, 9, 10, 11 AND 12

Keyless Entry System

WIRING SYSTEM



TP : WITH TPMS

*1 : WITHOUT TPMS : R80
WITH TPMS : R221

*2 : WITHOUT TPMS : KEYLESS ENTRY CM
WITH TPMS : TPMS & KEYLESS ENTRY CM

*3 : WITHOUT TPMS : 3
WITH TPMS : 11

*4 : WITHOUT TPMS : 4
WITH TPMS : 6

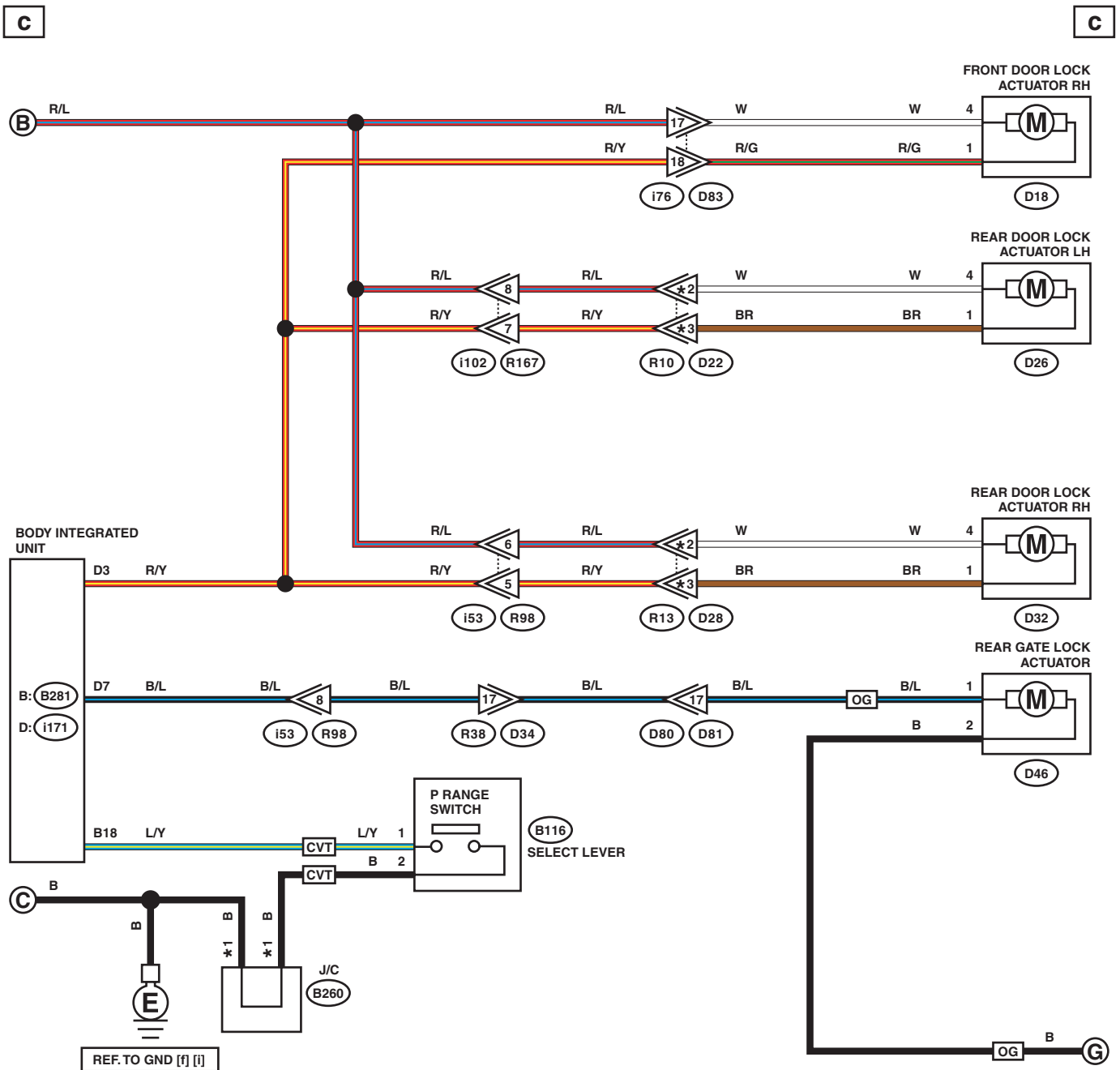
*5 : WITHOUT TPMS : 7
WITH TPMS : 5

*6 : NON-TURBO MODEL : R
TURBO MODEL : Y

WI-40858

Keyless Entry System

WIRING SYSTEM



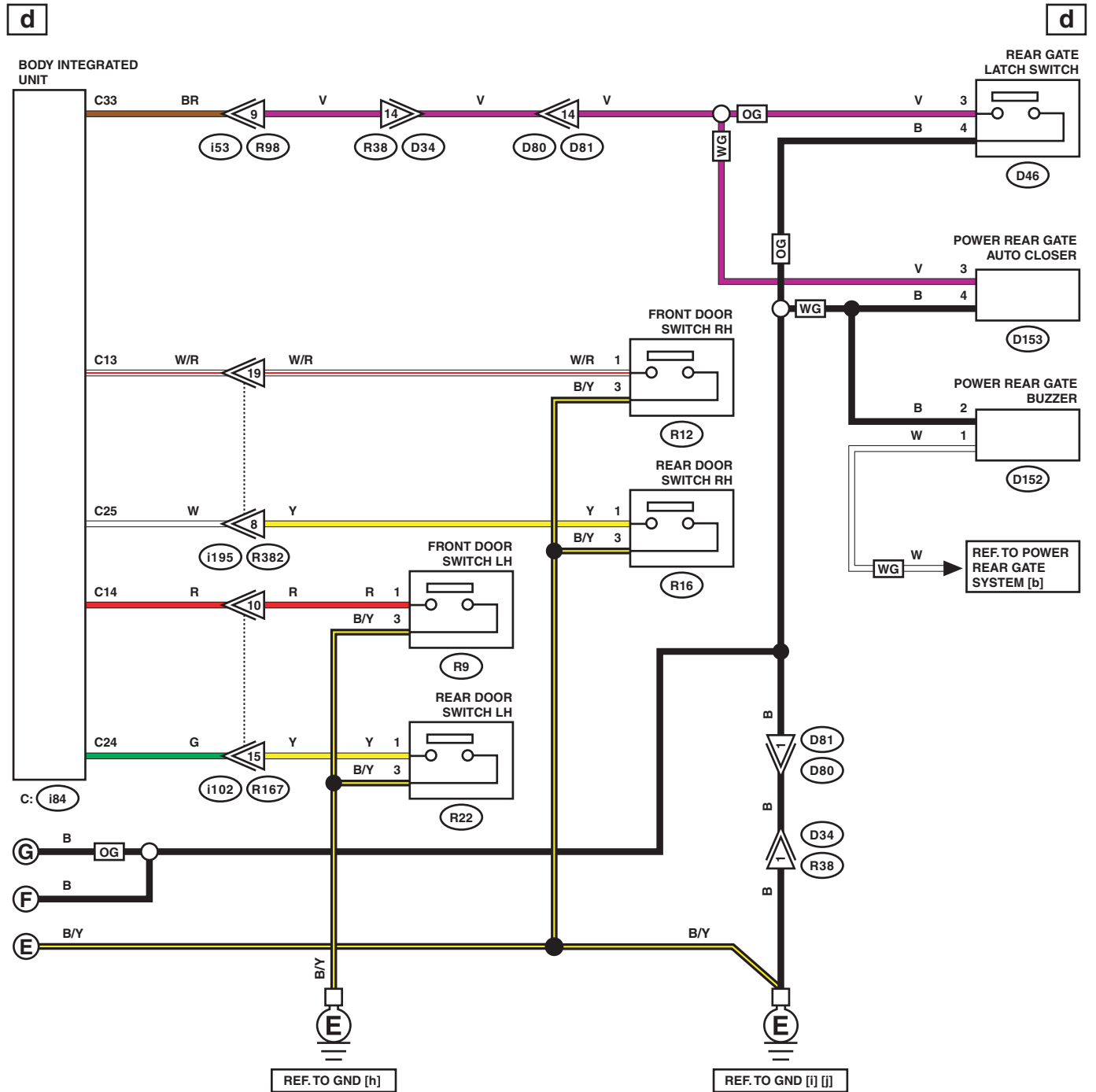
OG : WITHOUT POWER REAR GATE

- *1 : TERMINAL No. OPTIONAL ARRANGEMENT
- *2 : MODEL WITH STANDARD AUDIO : 4
MODEL WITH HIGH GRADE AUDIO : 6
- *3 : MODEL WITH STANDARD AUDIO : 5
MODEL WITH HIGH GRADE AUDIO : 7

WI-40859

Keyless Entry System

WIRING SYSTEM



OG : WITHOUT POWER REAR GATE

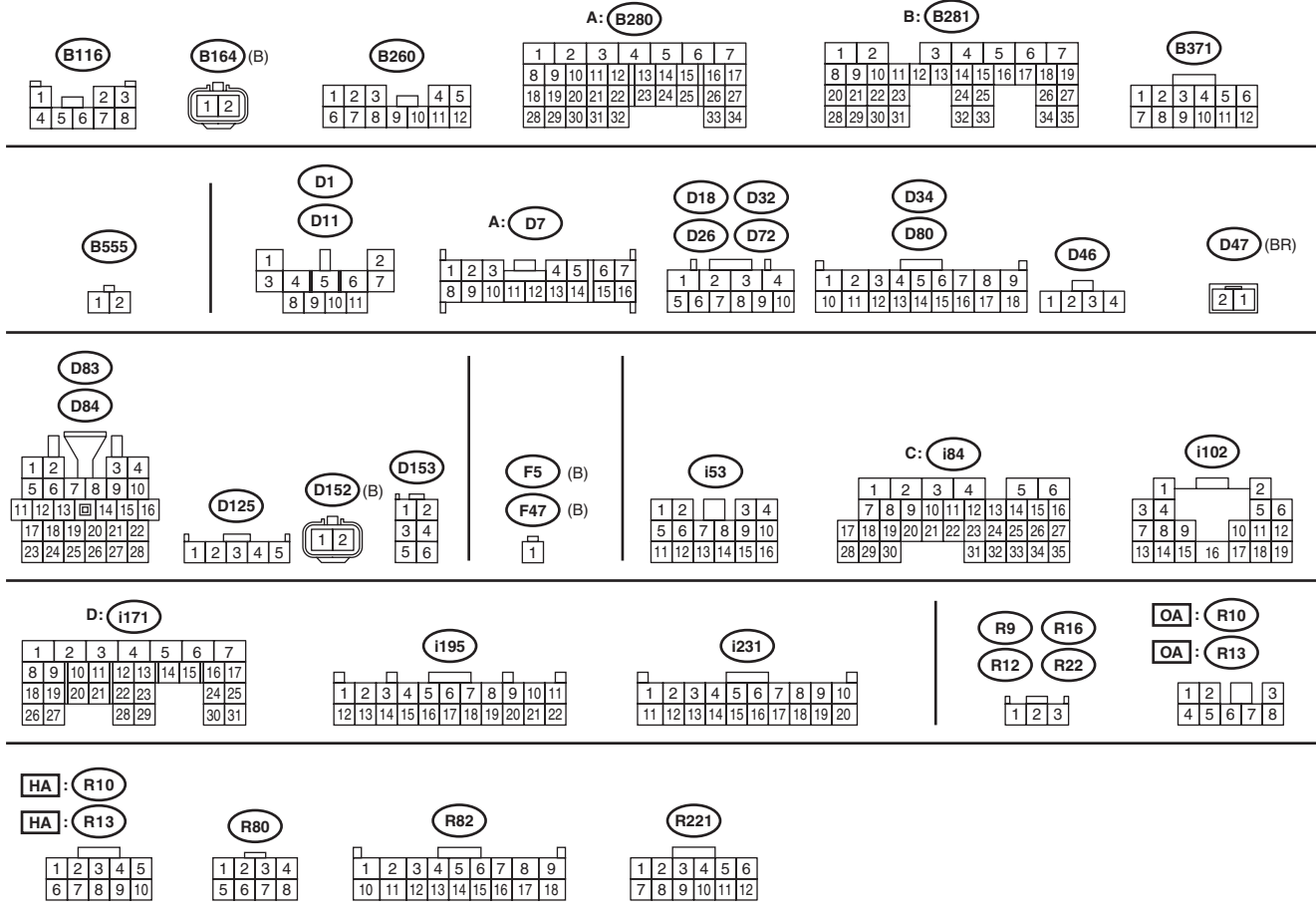
WG : WITH POWER REAR GATE

WI-40860

e

e

LIST OF CONNECTORS



OA : MODEL WITH STANDARD AUDIO
HA : MODEL WITH HIGH GRADE AUDIO