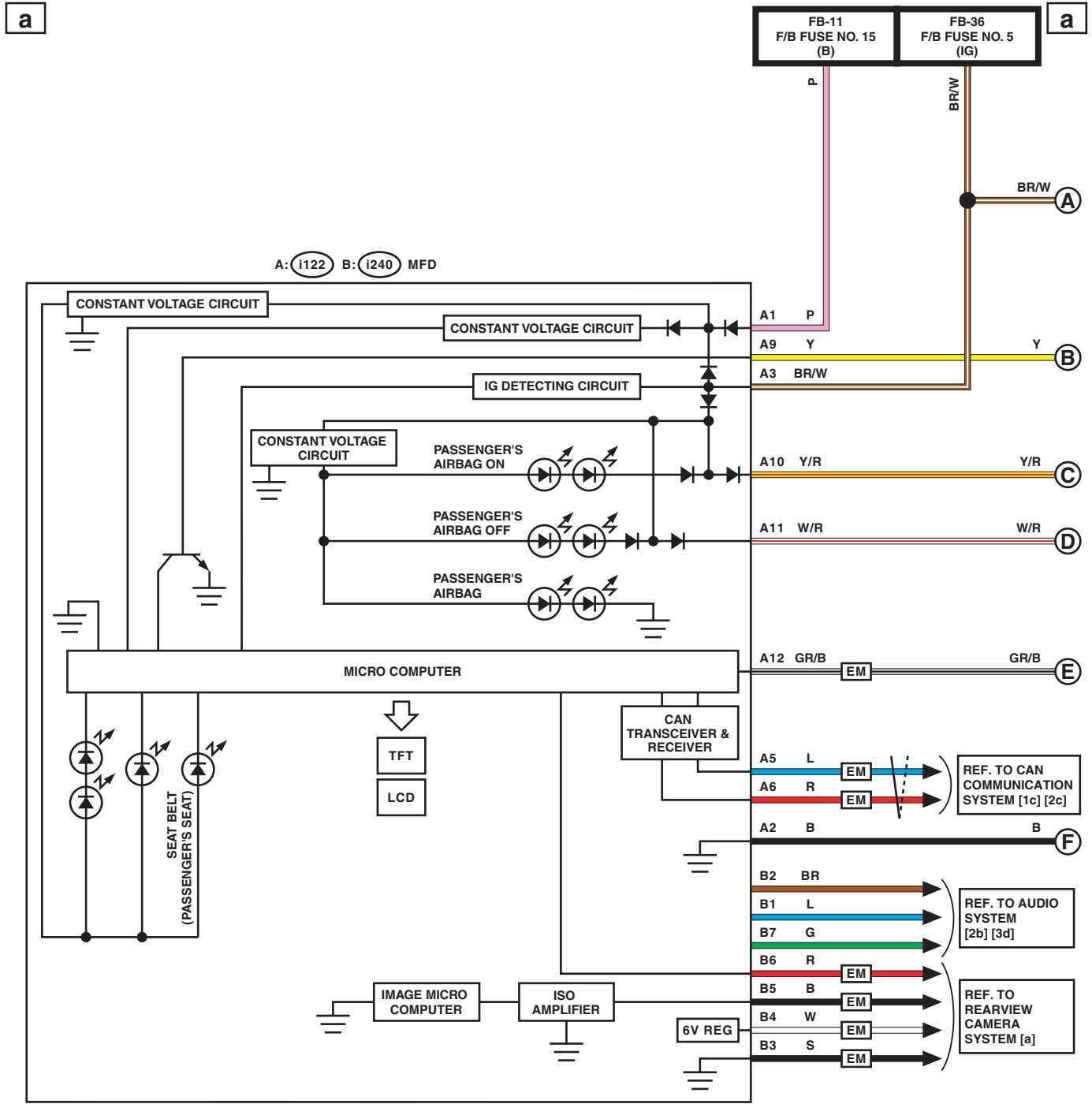


Multi-function Display (MFD) System

WIRING SYSTEM

31. Multi-function Display (MFD) System

A: WIRING DIAGRAM

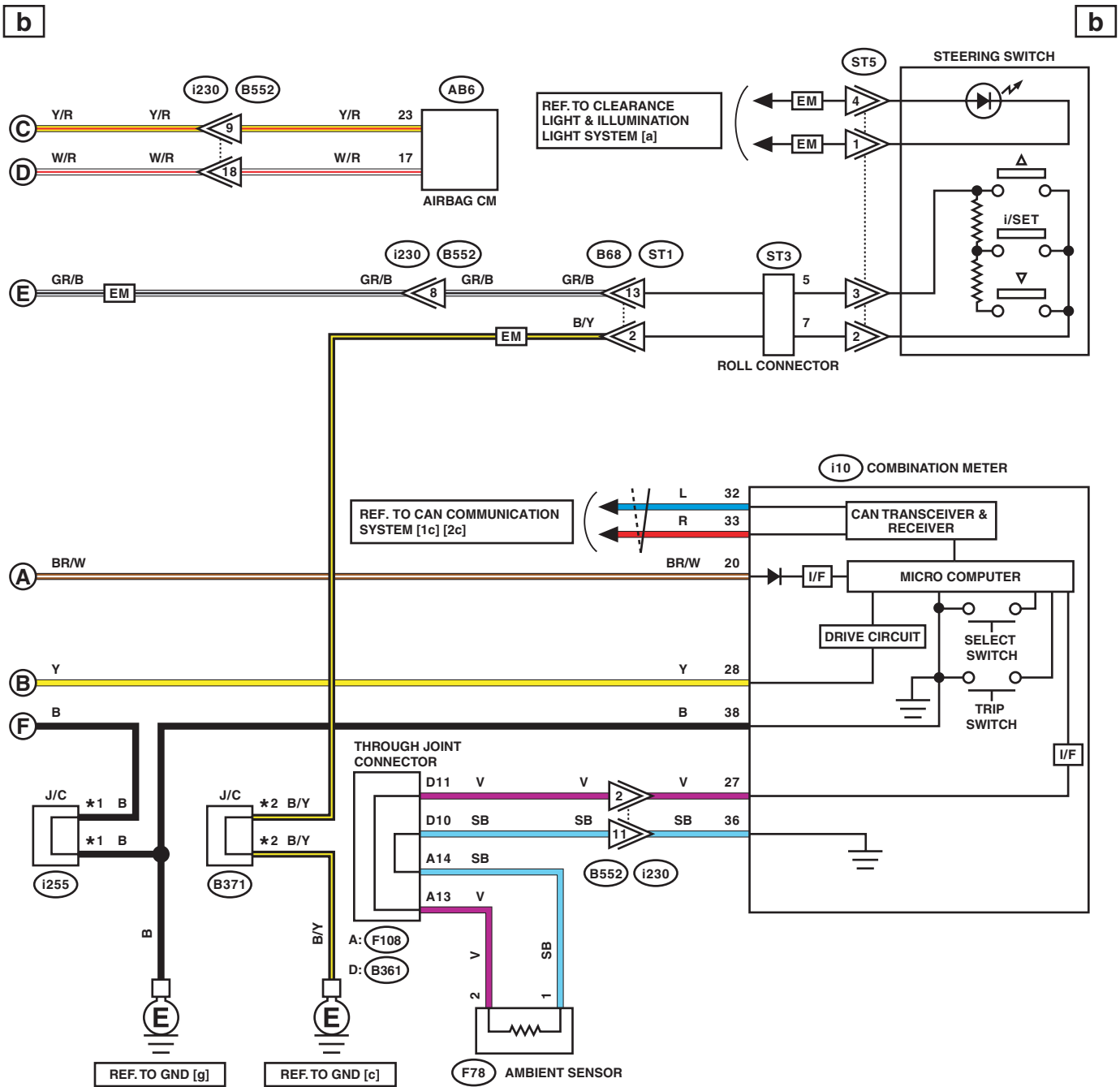


EM : EXCEPT FOR STANDARD MFD

WI-40862

Multi-function Display (MFD) System

WIRING SYSTEM



EM : EXCEPT FOR STANDARD MFD

*1 : TERMINAL No. OPTIONAL ARRANGEMENT

*2 : TERMINAL No. OPTIONAL ARRANGEMENT AMONG 1, 2, 3, 4, 5 AND 6

WI-40863

Multi-function Display (MFD) System

WIRING SYSTEM

C

C

LIST OF CONNECTORS

