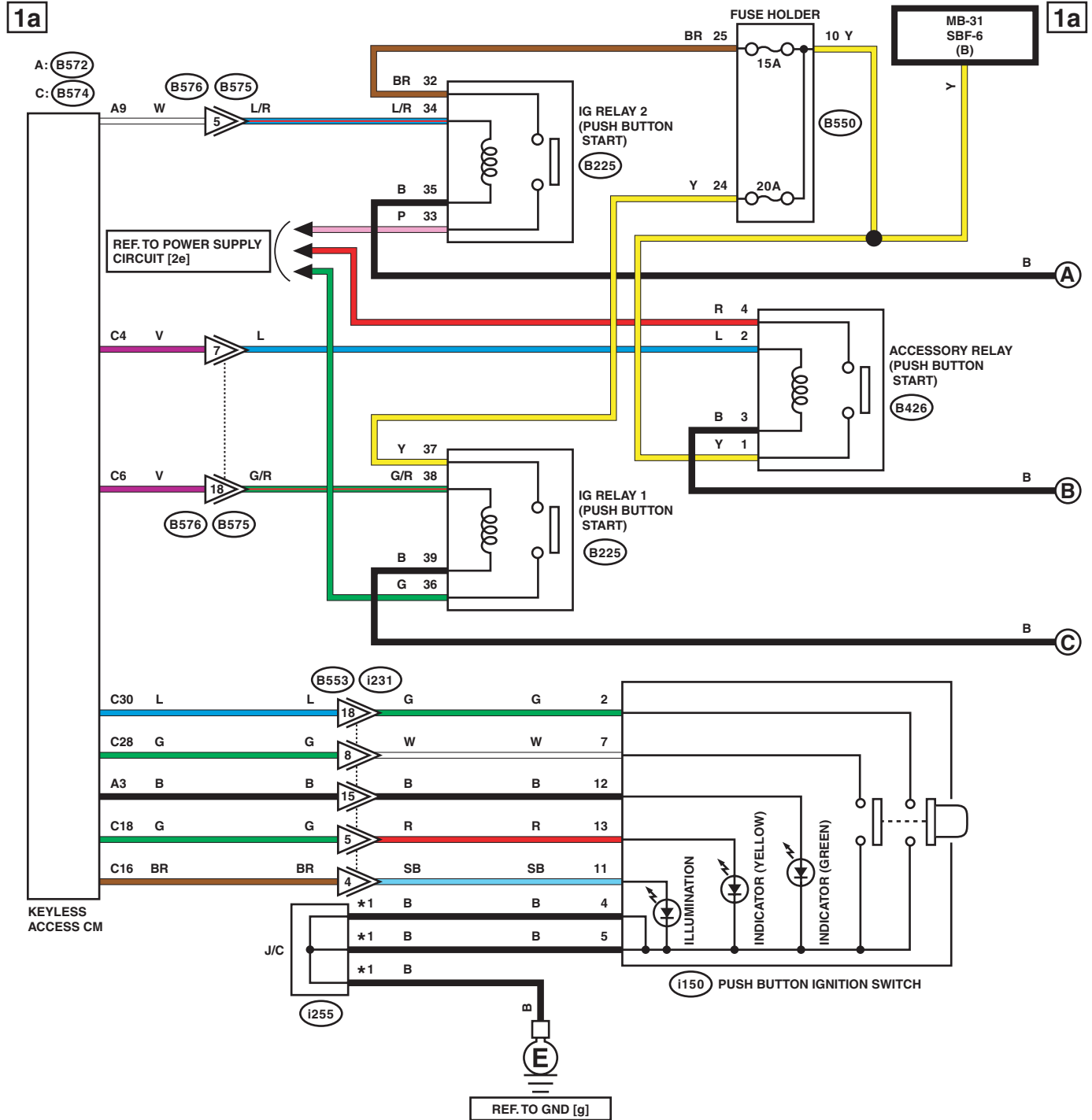


## 39. Push Button Start System

### A: WIRING DIAGRAM

#### 1. NON-TURBO MODEL



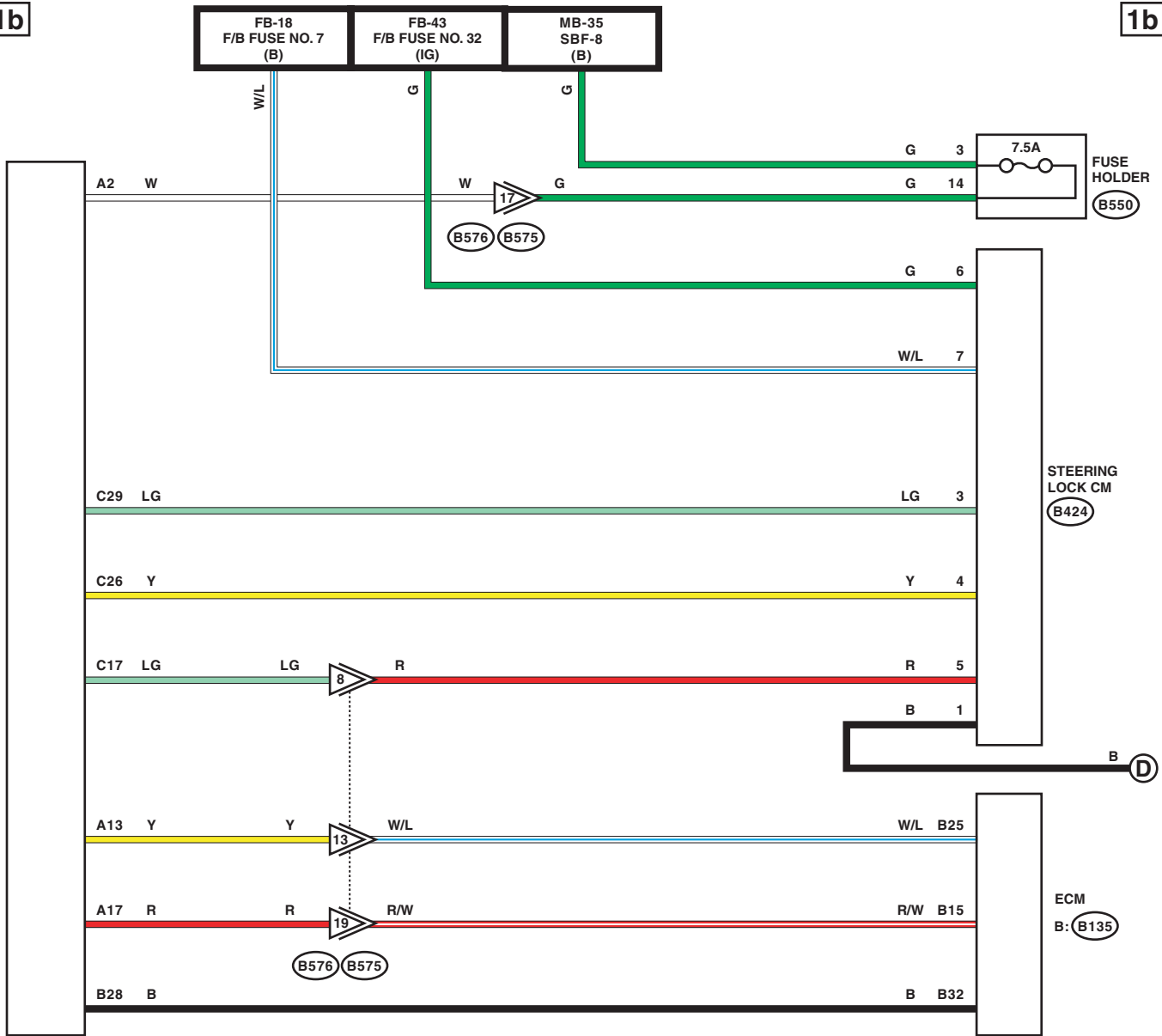
\*1 : TERMINAL No. OPTIONAL ARRANGEMENT

# Push Button Start System

## WIRING SYSTEM

1b

1b



KEYLESS ACCESS CM

- A: (B572)
- B: (B573)
- C: (B574)

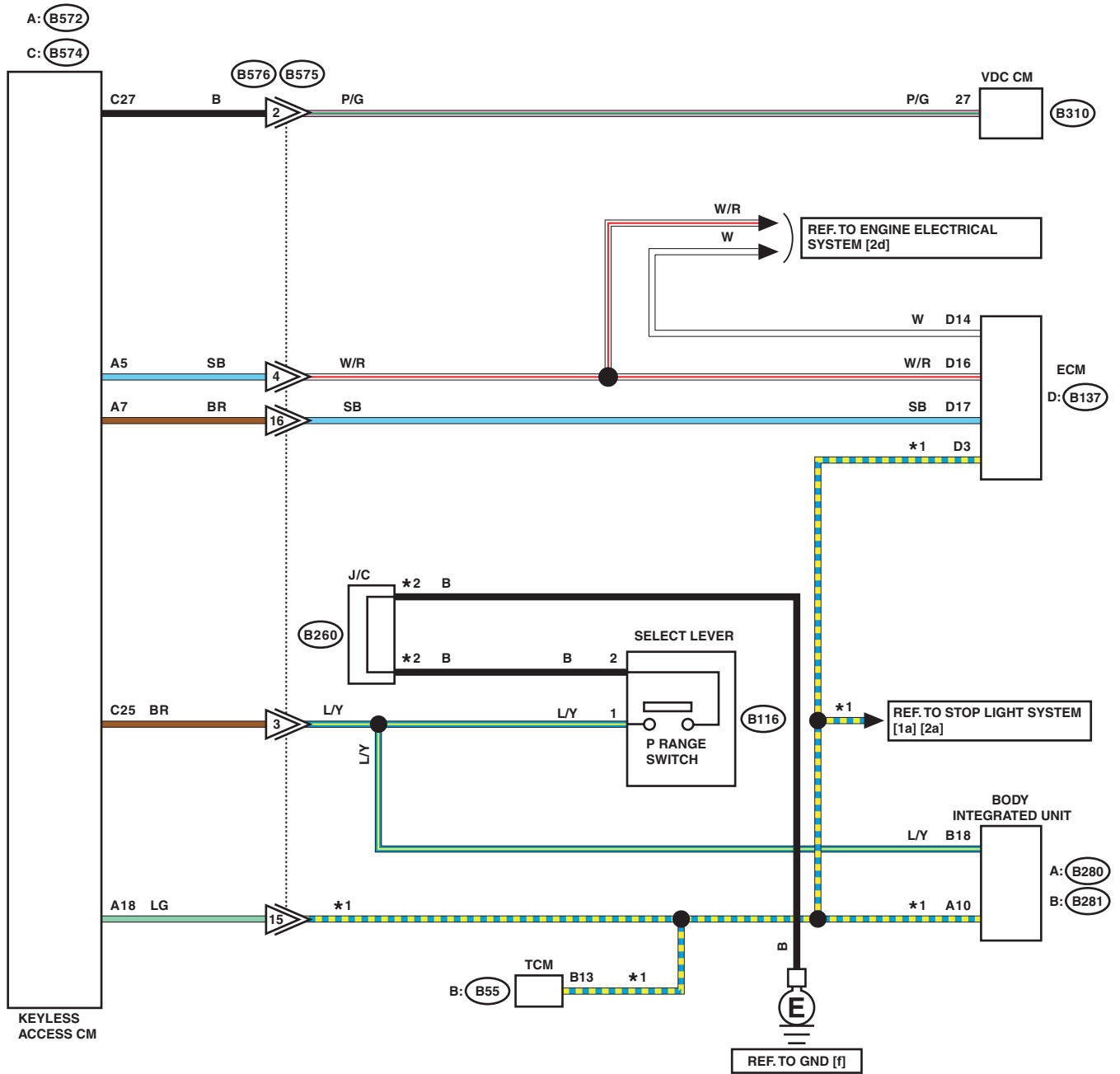
WI-40899

# Push Button Start System

WIRING SYSTEM

1c

1c



- \*1 : EyeSight MODEL WITHOUT X MODE : BR/R  
EyeSight MODEL WITH X MODE : W/R
- \*2 : TERMINAL No. OPTIONAL ARRANGEMENT

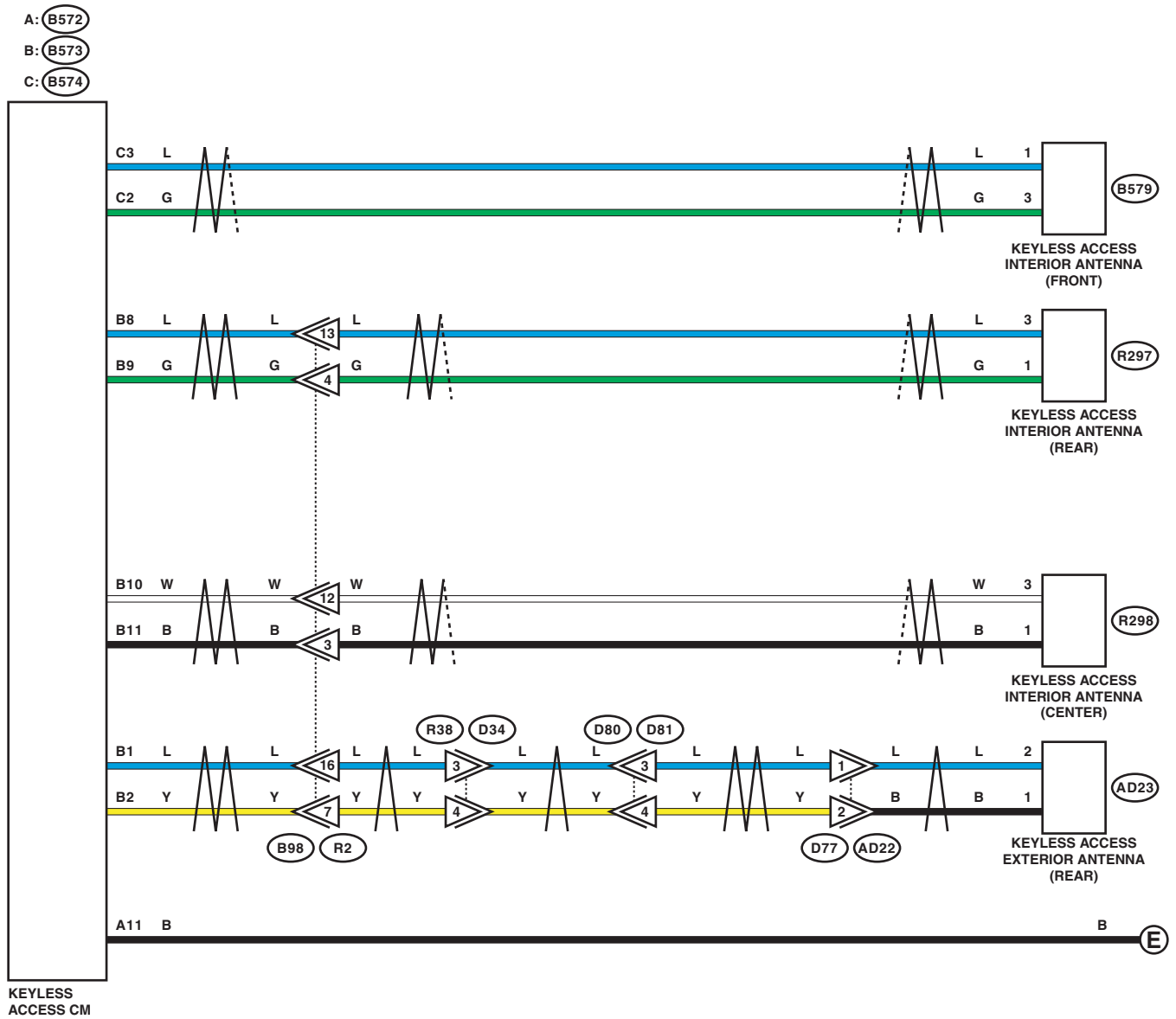
WI-40900

# Push Button Start System

## WIRING SYSTEM

1d

1d



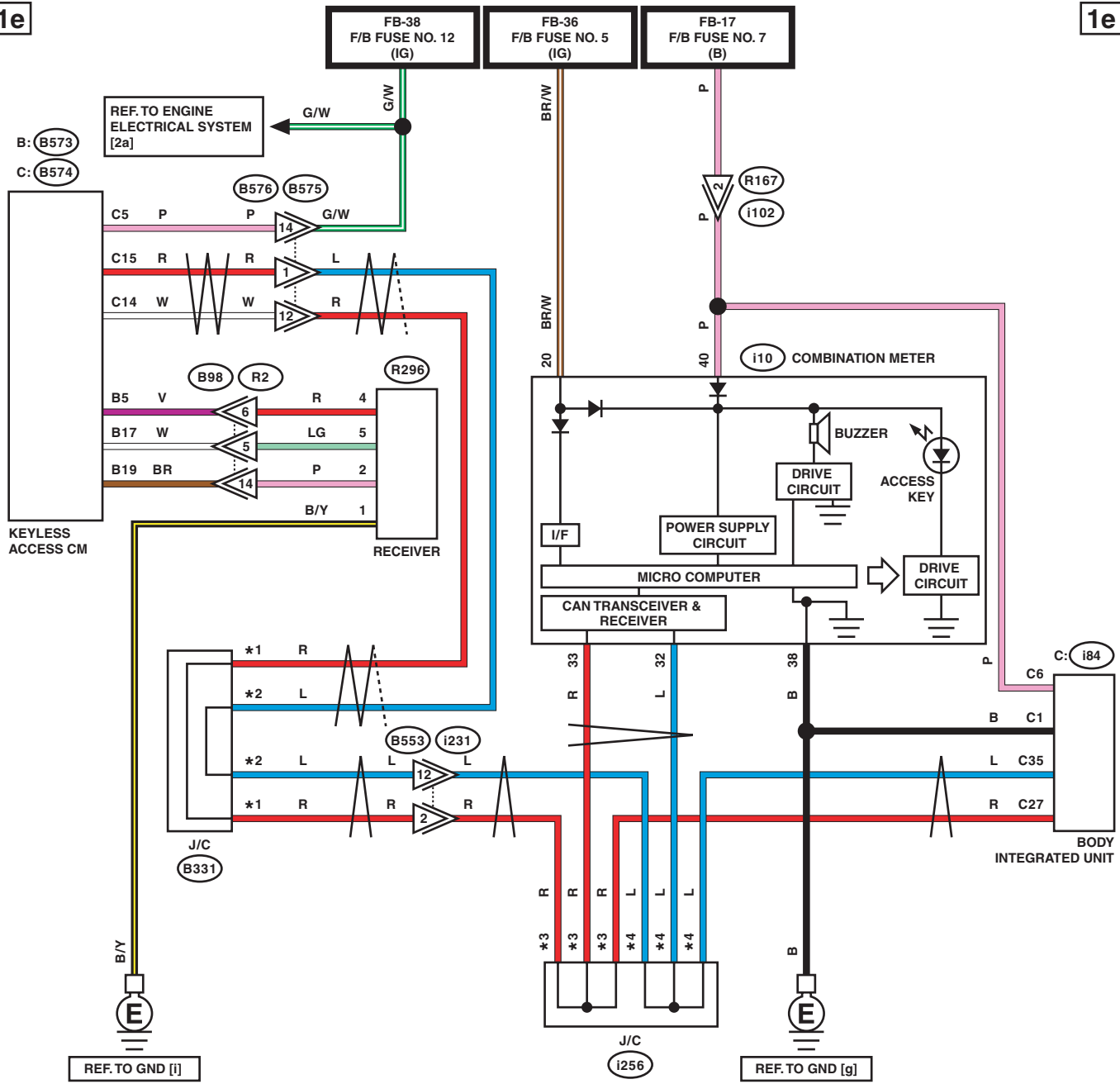
WI-40901

# Push Button Start System

WIRING SYSTEM

1e

1e



- \*1 : TERMINAL No. OPTIONAL ARRANGEMENT AMONG 1, 2, 3, 4, 5, 6, 7, 8, 9, 10 AND 11
- \*2 : TERMINAL No. OPTIONAL ARRANGEMENT AMONG 12, 13, 14, 15, 16, 17, 18, 19, 20, 21 AND 22
- \*3 : TERMINAL No. OPTIONAL ARRANGEMENT AMONG 1, 2, 3, 6, 7 AND 8
- \*4 : TERMINAL No. OPTIONAL ARRANGEMENT AMONG 4, 5, 9, 10, 11 AND 12

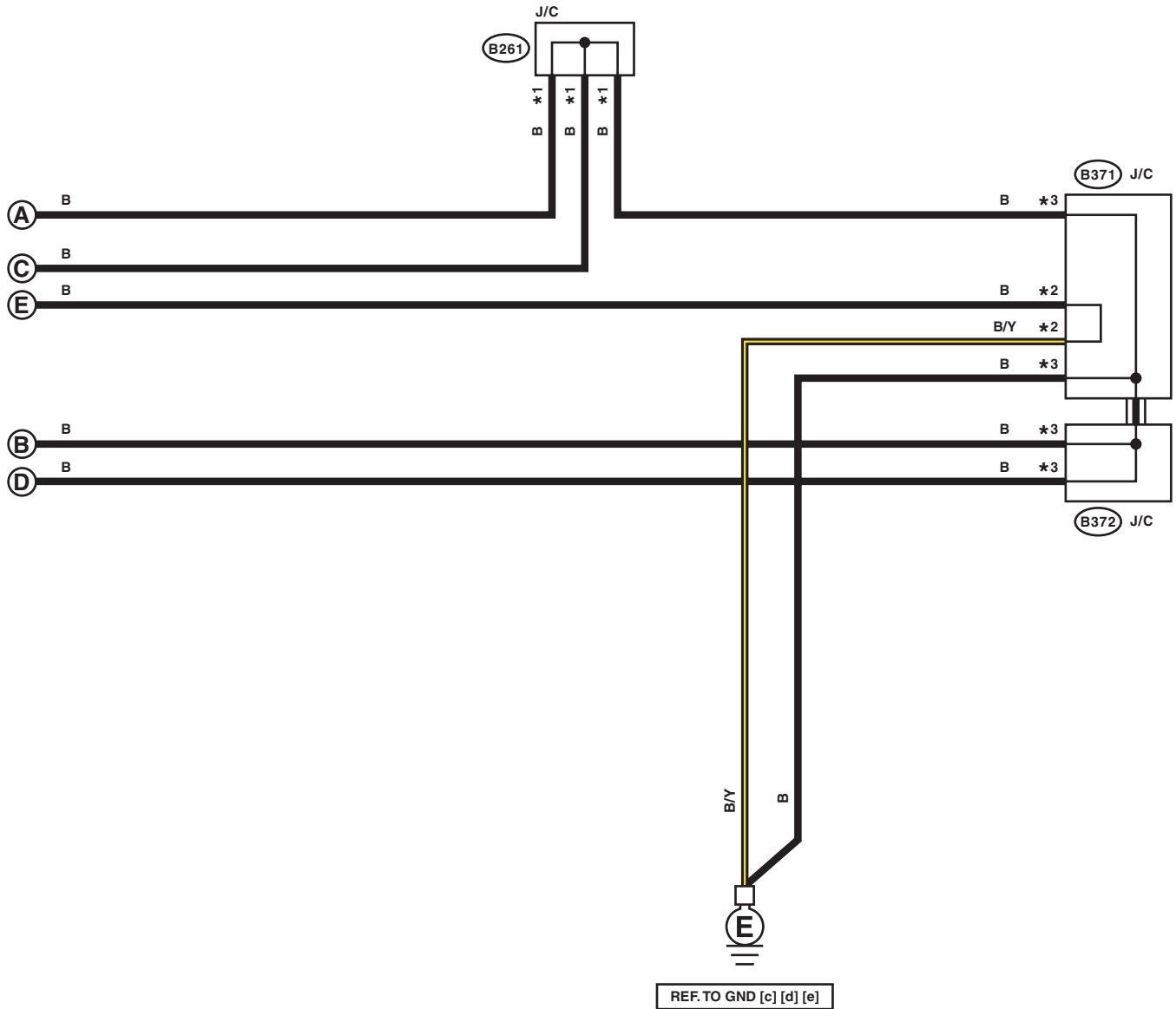
WI-40902

# Push Button Start System

WIRING SYSTEM

1f

1f



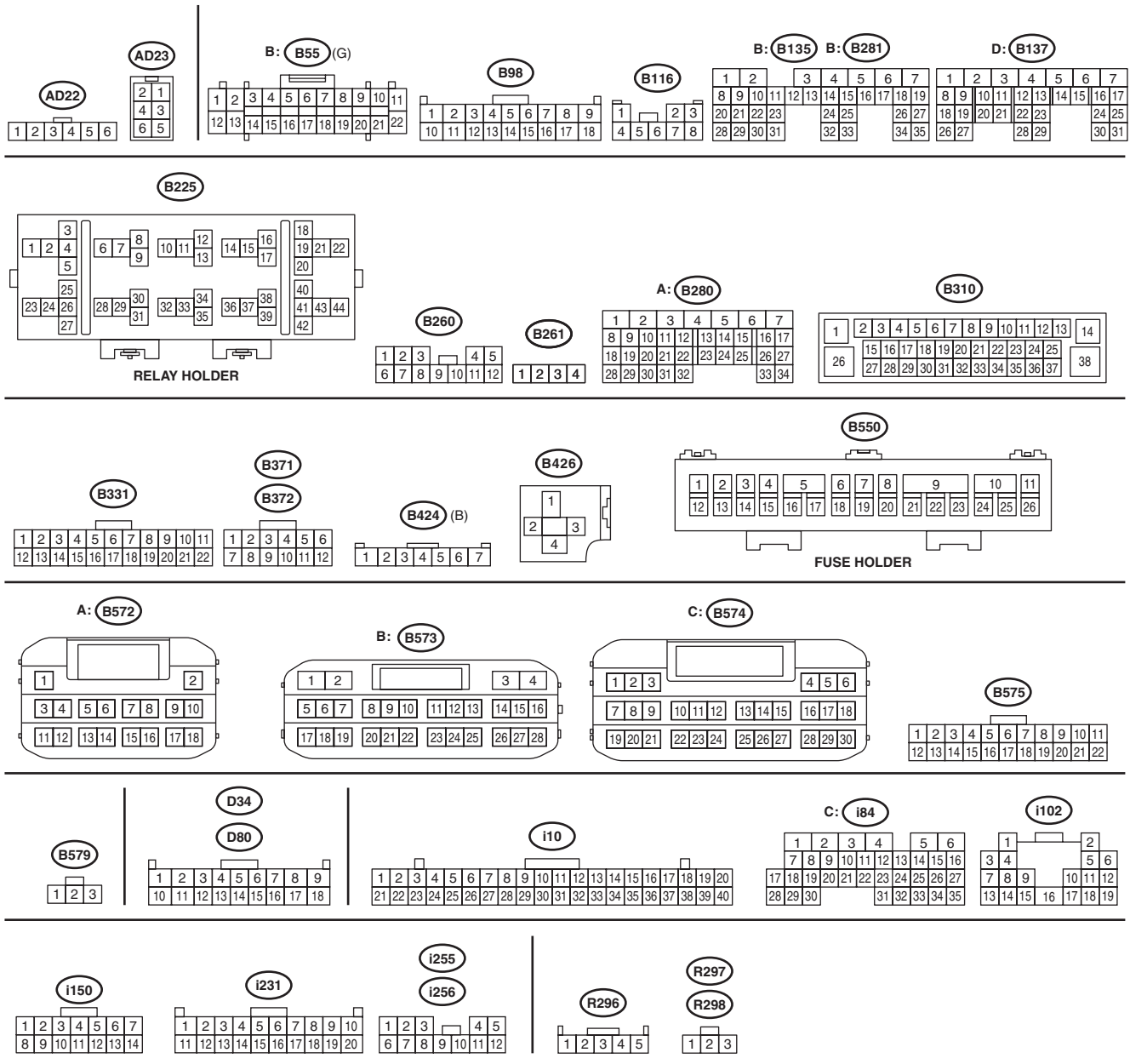
- \*1 : TERMINAL No. OPTIONAL ARRANGEMENT
- \*2 : TERMINAL No. OPTIONAL ARRANGEMENT AMONG 1, 2, 3, 4, 5 AND 6
- \*3 : TERMINAL No. OPTIONAL ARRANGEMENT AMONG 7, 8, 9, 10, 11 AND 12

WI-40903

1g

1g

## LIST OF CONNECTORS



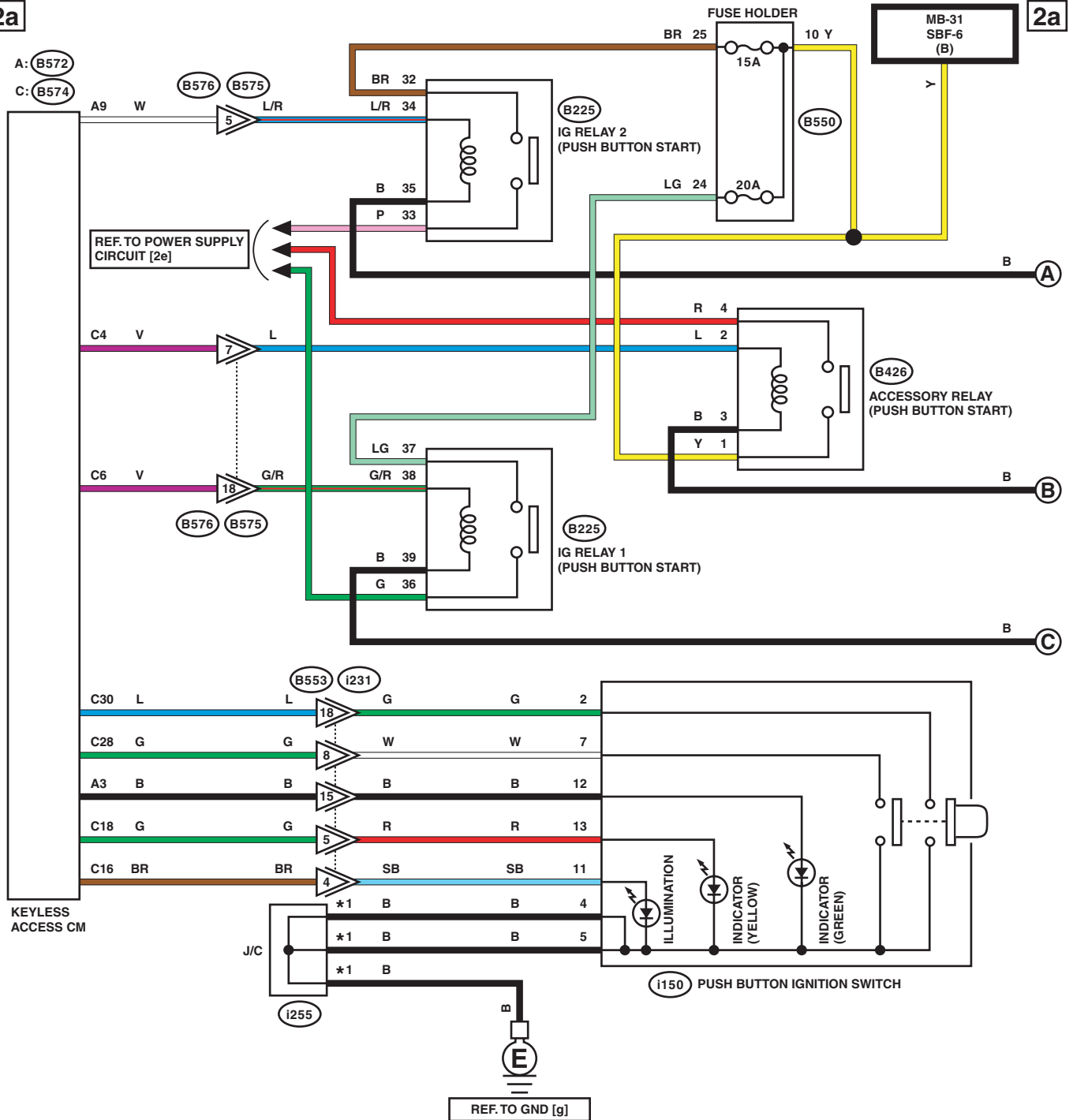
# Push Button Start System

WIRING SYSTEM

## 2. TURBO MODEL

2a

2a



\*1 : TERMINAL No. OPTIONAL ARRANGEMENT

WI-40905



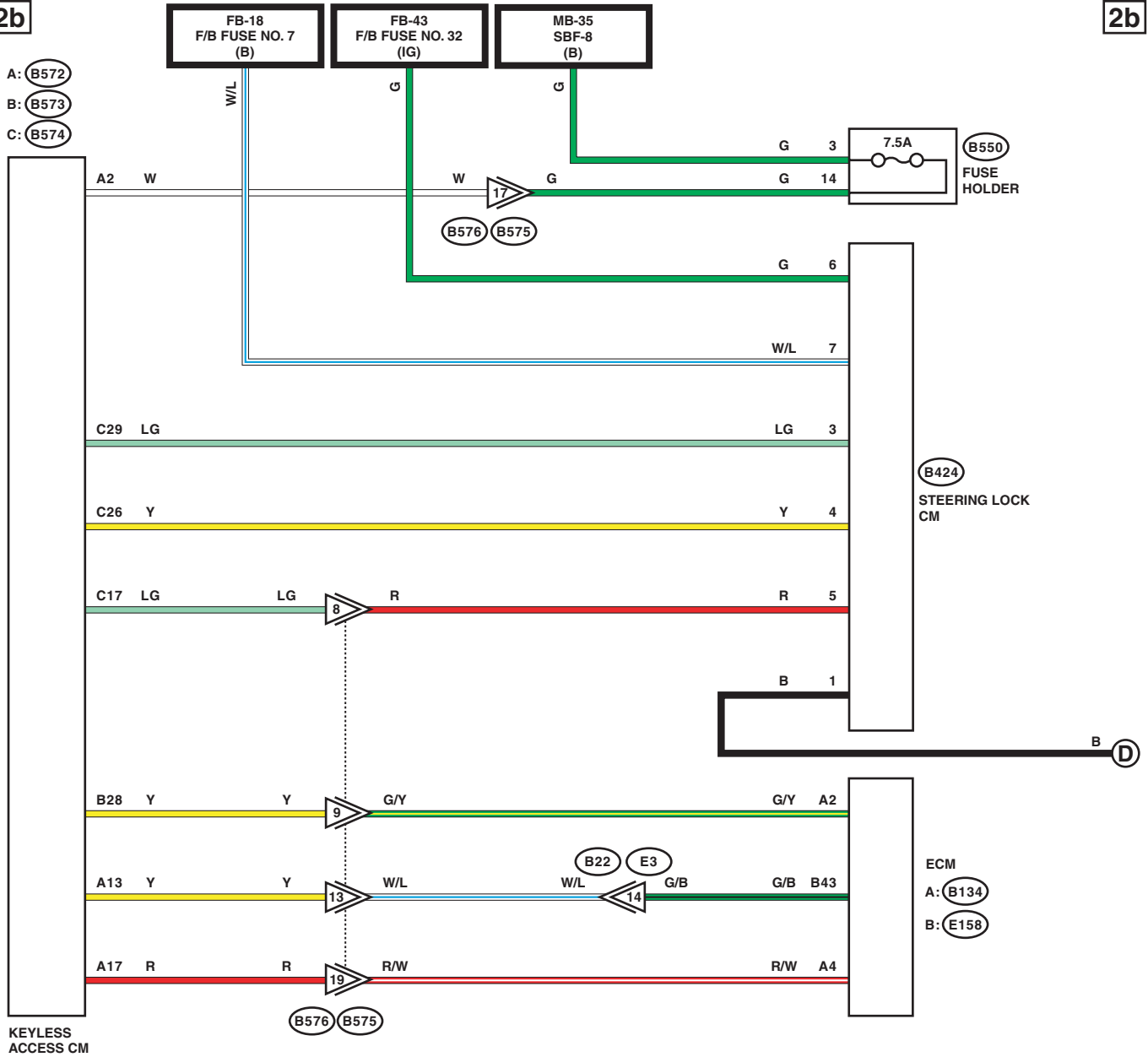
# Push Button Start System

WIRING SYSTEM

2b

2b

- A: (B572)
- B: (B573)
- C: (B574)



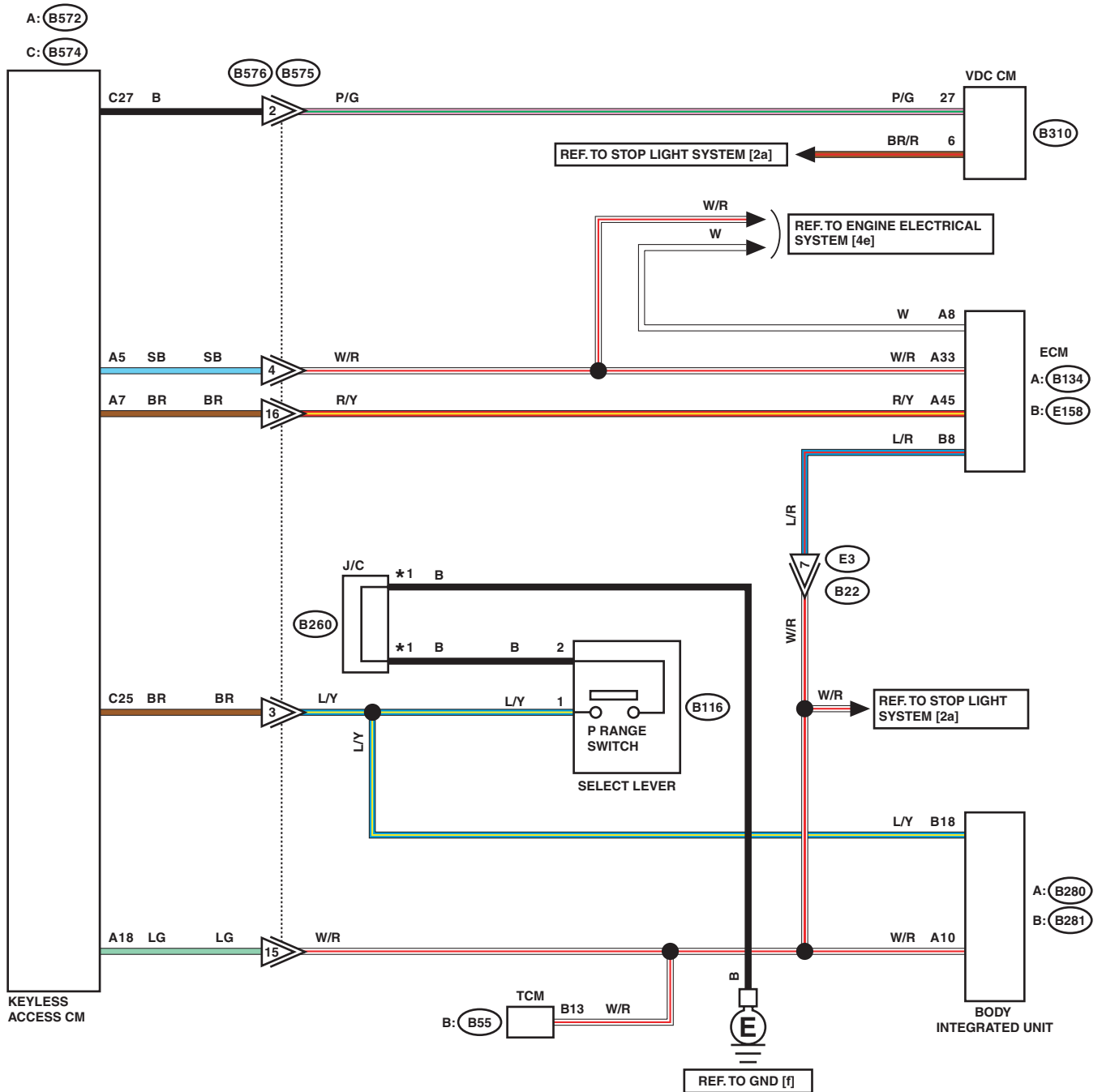
WI-40906

# Push Button Start System

WIRING SYSTEM

2c

2c



\*1 : TERMINAL No. OPTIONAL ARRANGEMENT

WI-40907

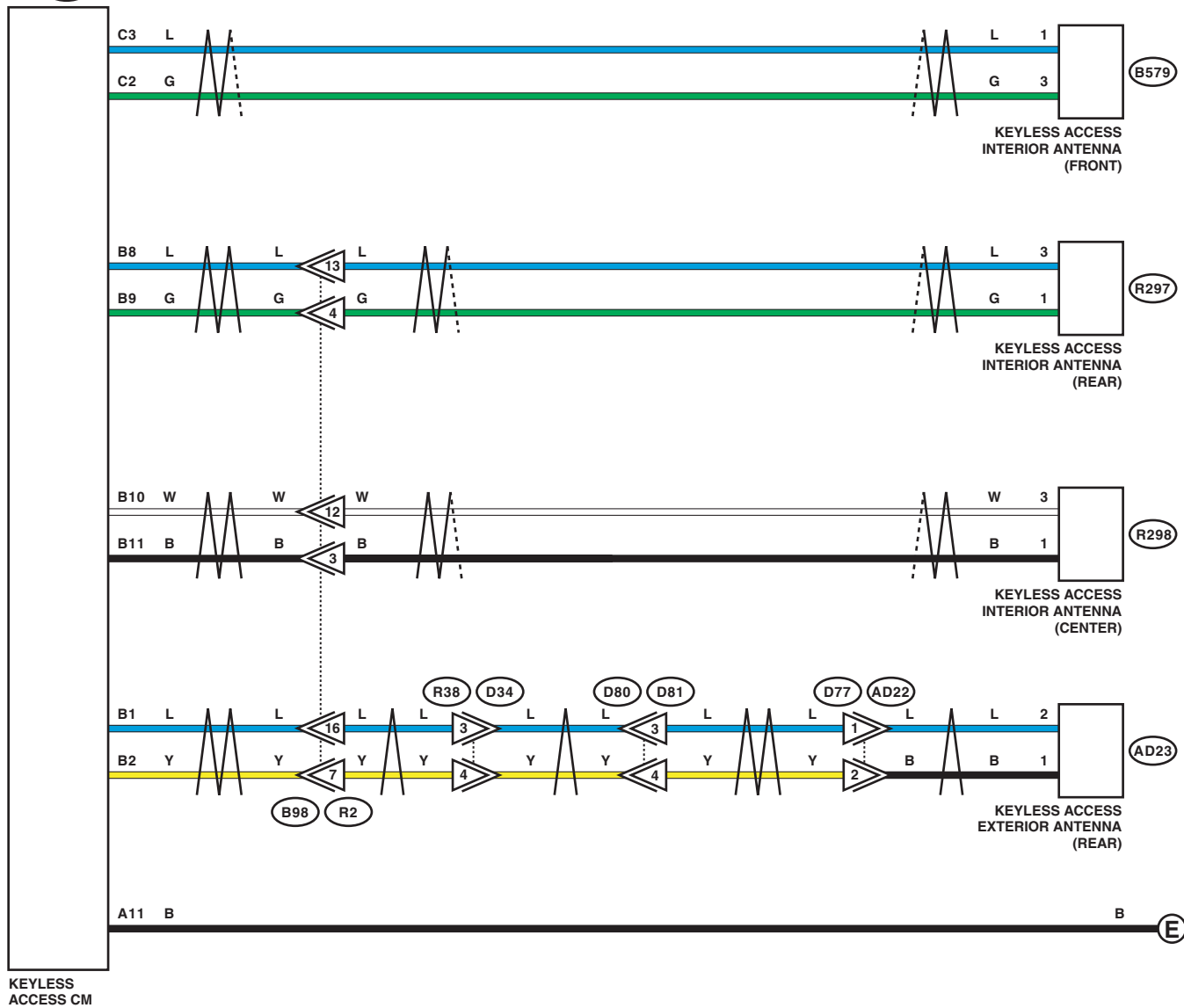
# Push Button Start System

WIRING SYSTEM

2d

2d

- A: (B572)
- B: (B573)
- C: (B574)



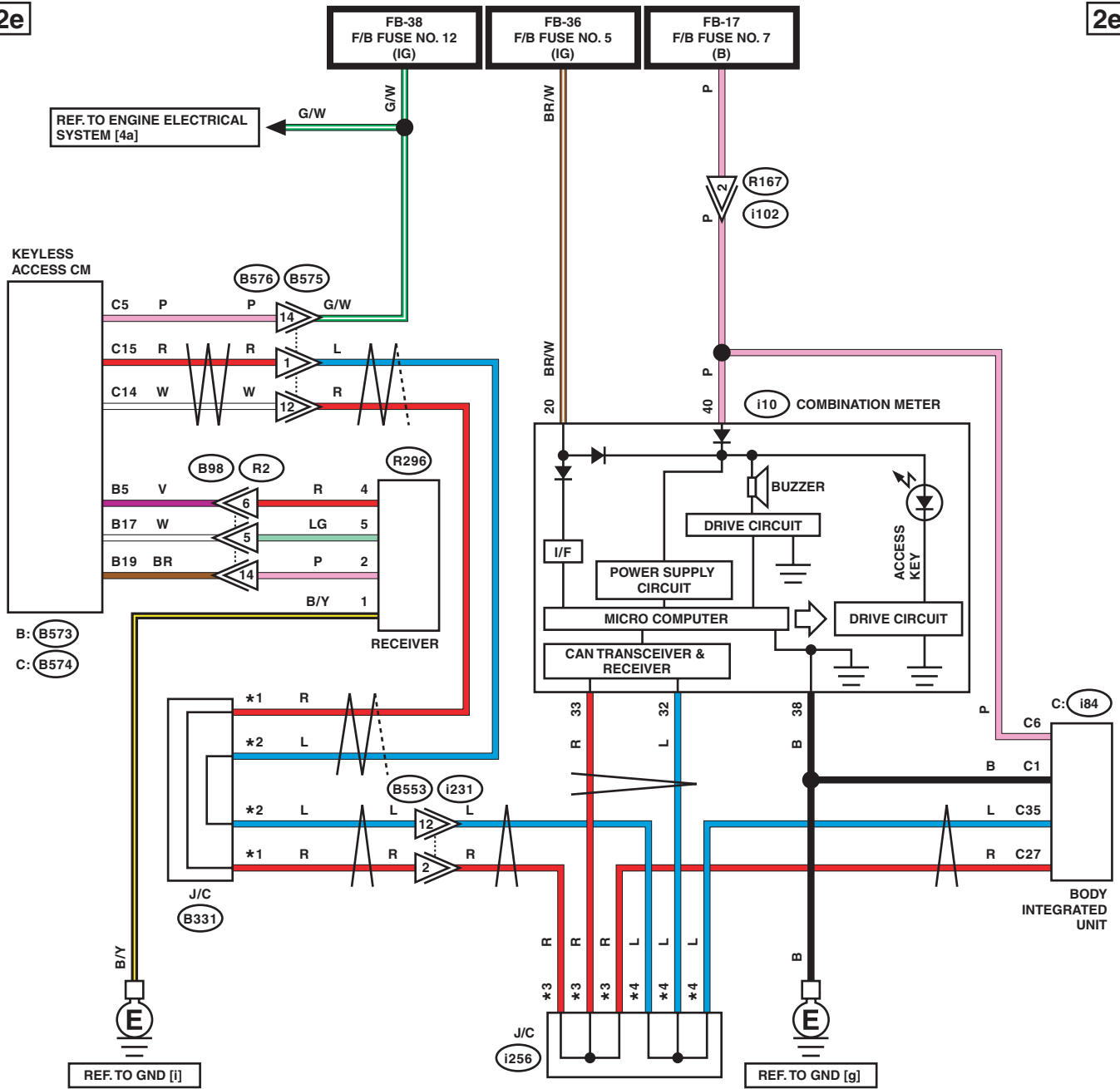
WI-40908

# Push Button Start System

## WIRING SYSTEM

2e

2e



- \*1 : TERMINAL No. OPTIONAL ARRANGEMENT AMONG 1, 2, 3, 4, 5, 6, 7, 8, 9, 10 AND 11
- \*2 : TERMINAL No. OPTIONAL ARRANGEMENT AMONG 12, 13, 14, 15, 16, 17, 18, 19, 20, 21 AND 22
- \*3 : TERMINAL No. OPTIONAL ARRANGEMENT AMONG 1, 2, 3, 6, 7 AND 8
- \*4 : TERMINAL No. OPTIONAL ARRANGEMENT AMONG 4, 5, 9, 10, 11 AND 12

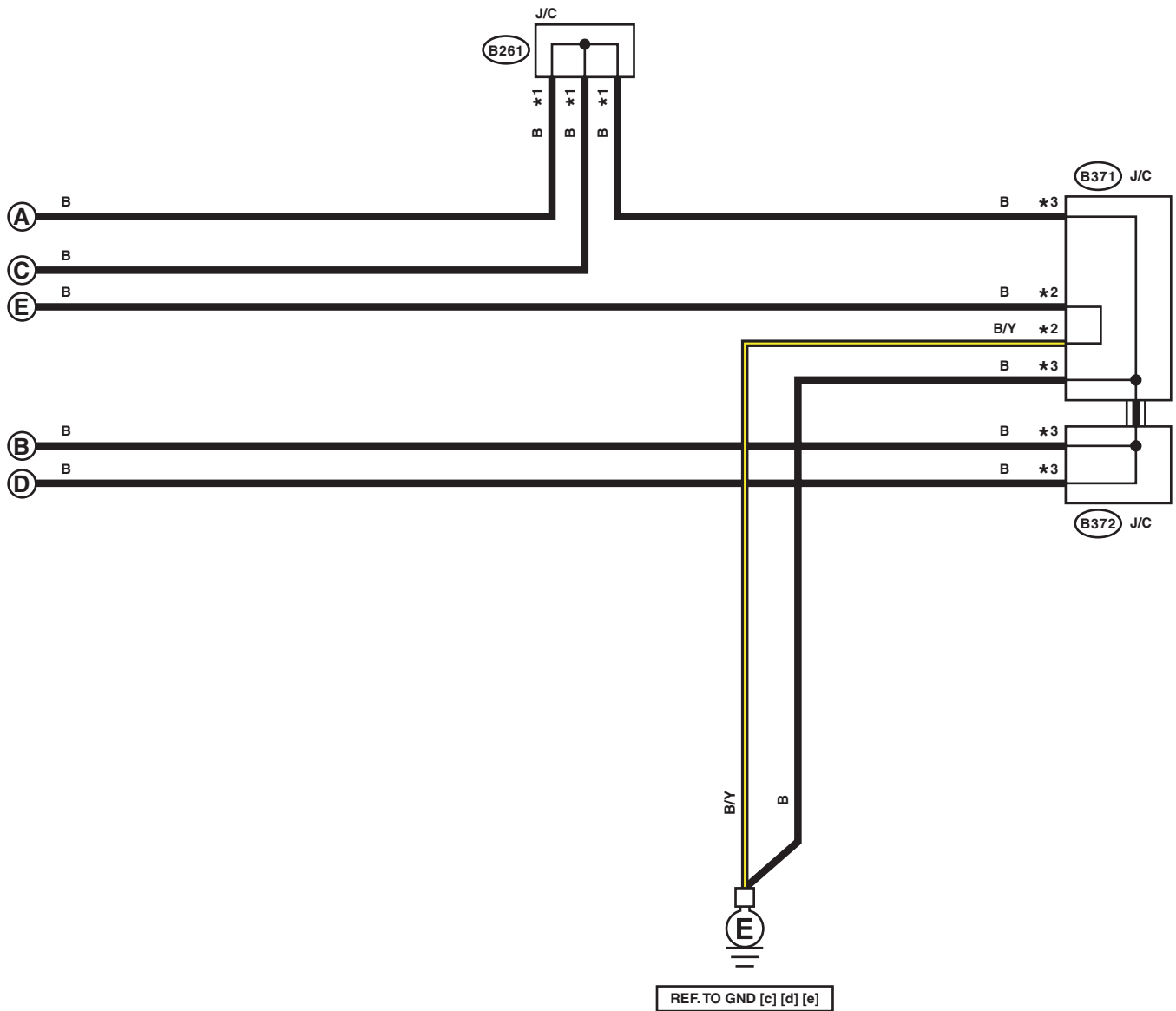
WI-40909

# Push Button Start System

WIRING SYSTEM

2f

2f



- \*1 : TERMINAL No. OPTIONAL ARRANGEMENT
- \*2 : TERMINAL No. OPTIONAL ARRANGEMENT AMONG 1, 2, 3, 4, 5 AND 6
- \*3 : TERMINAL No. OPTIONAL ARRANGEMENT AMONG 7, 8, 9, 10, 11 AND 12

WI-40910

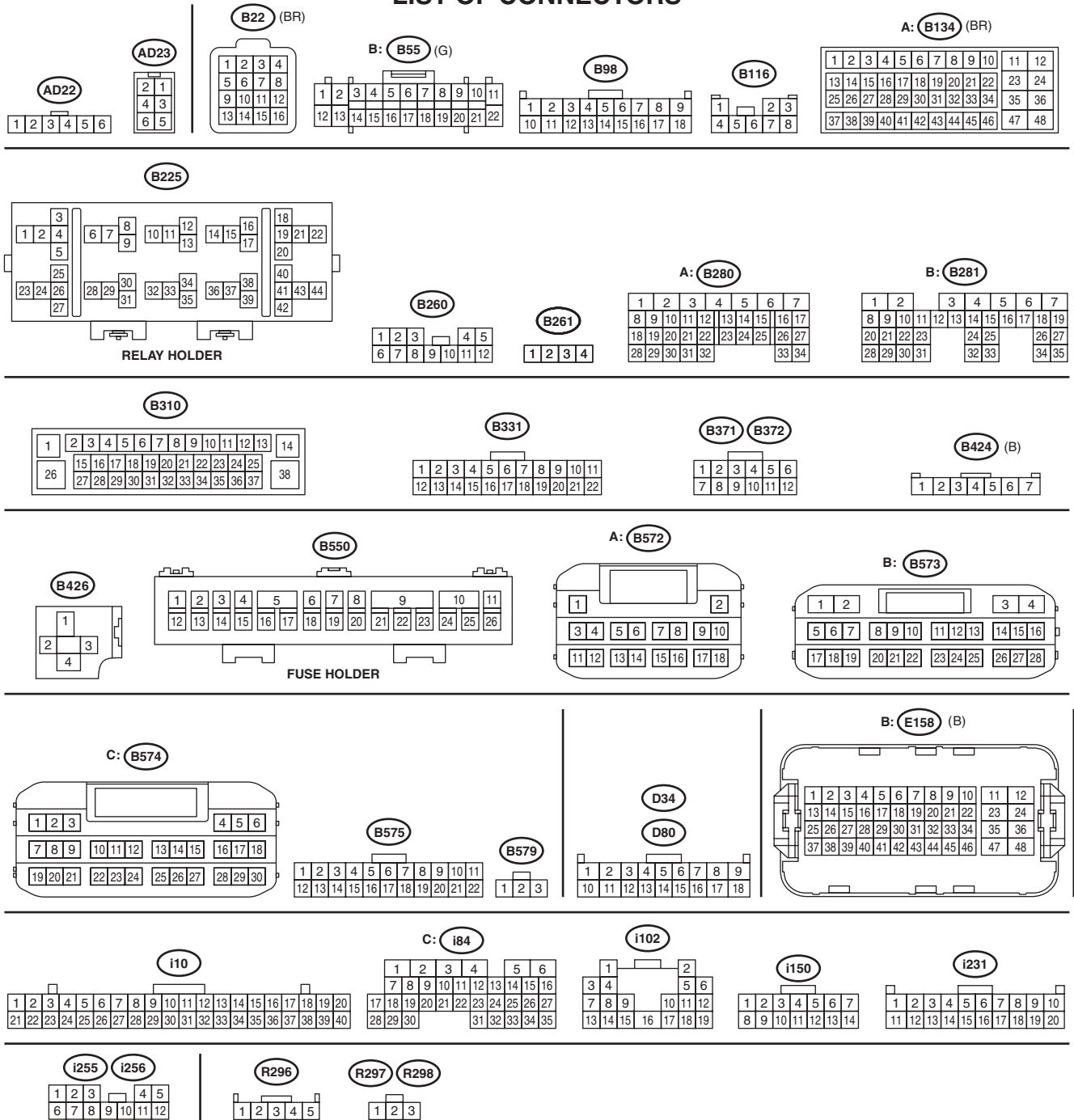
# Push Button Start System

WIRING SYSTEM

2g

2g

## LIST OF CONNECTORS



WI-40911