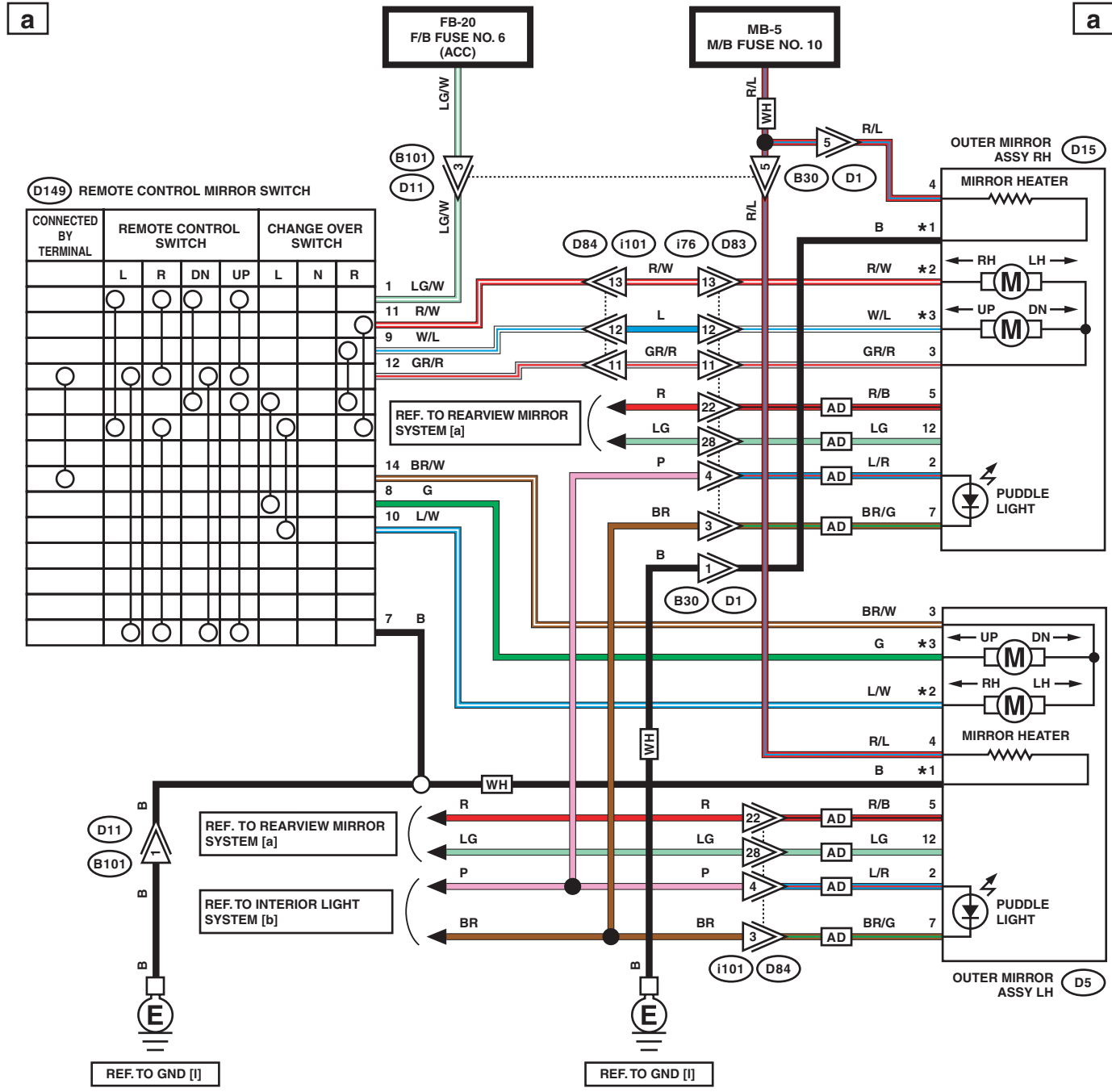


47. Remote Control Mirror System

A: WIRING DIAGRAM



WH : WITH MIRROR HEATER
AD : WITH AUTOMATIC ANTI-GLARE
 *1 : C6 MODEL : 10
 EXCEPT FOR C6 MODEL : 11

*2 : C6 MODEL : 7
 EXCEPT FOR C6 MODEL : 8
 *3 : C6 MODEL : 8
 EXCEPT FOR C6 MODEL : 9

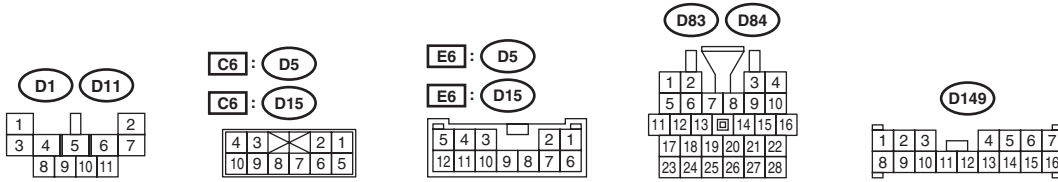
Remote Control Mirror System

WIRING SYSTEM

b

b

LIST OF CONNECTORS



E6 : EXCEPT FOR C6 MODEL

C6 : C6 MODEL

WI-40927