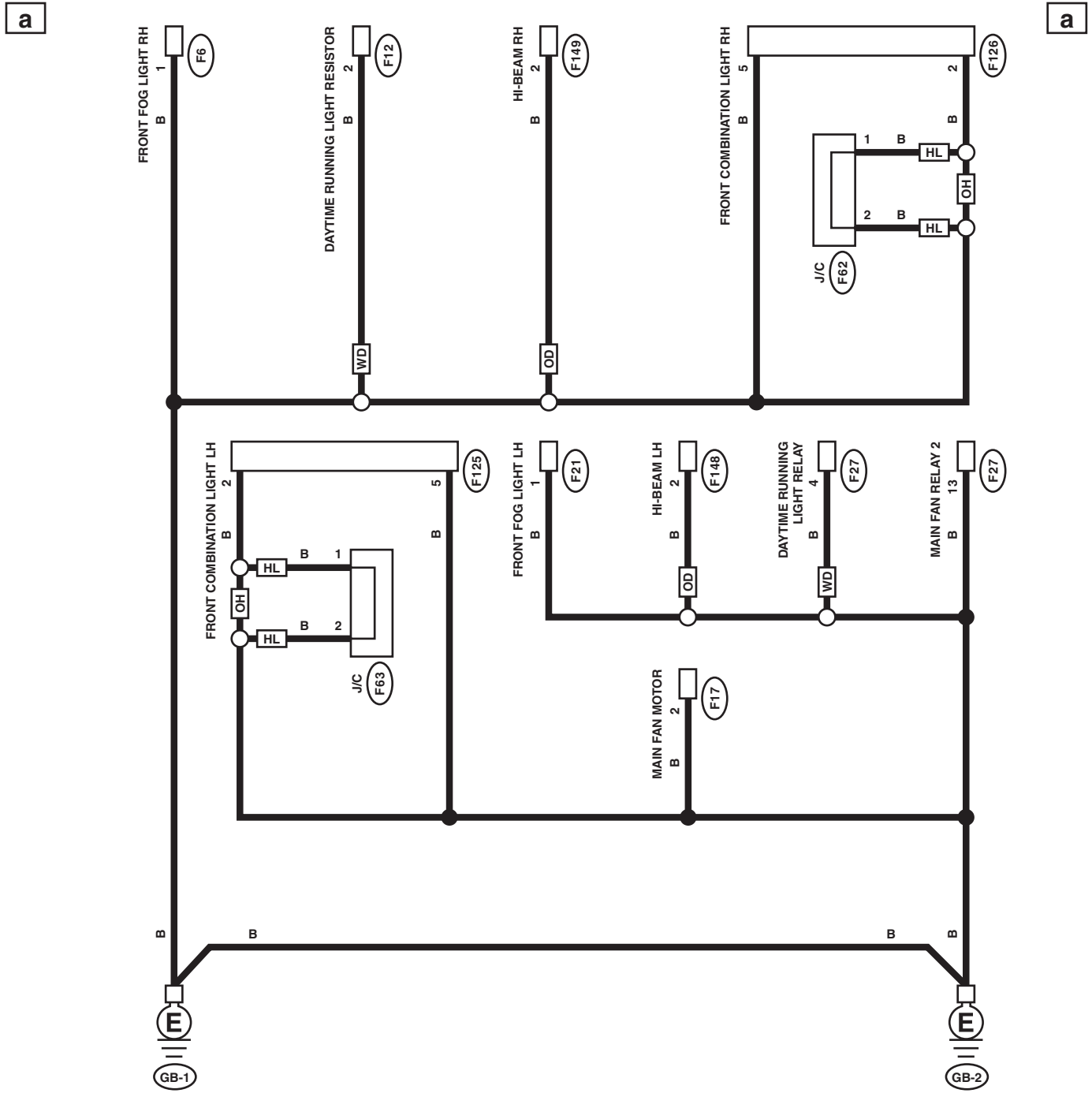


Ground Circuit

WIRING SYSTEM

5. Ground Circuit

A: WIRING DIAGRAM



HL : HALOGEN MODEL WITH DAYTIME RUNNING LIGHT
 OH : EXCEPT FOR HALOGEN MODEL WITH DAYTIME RUNNING LIGHT

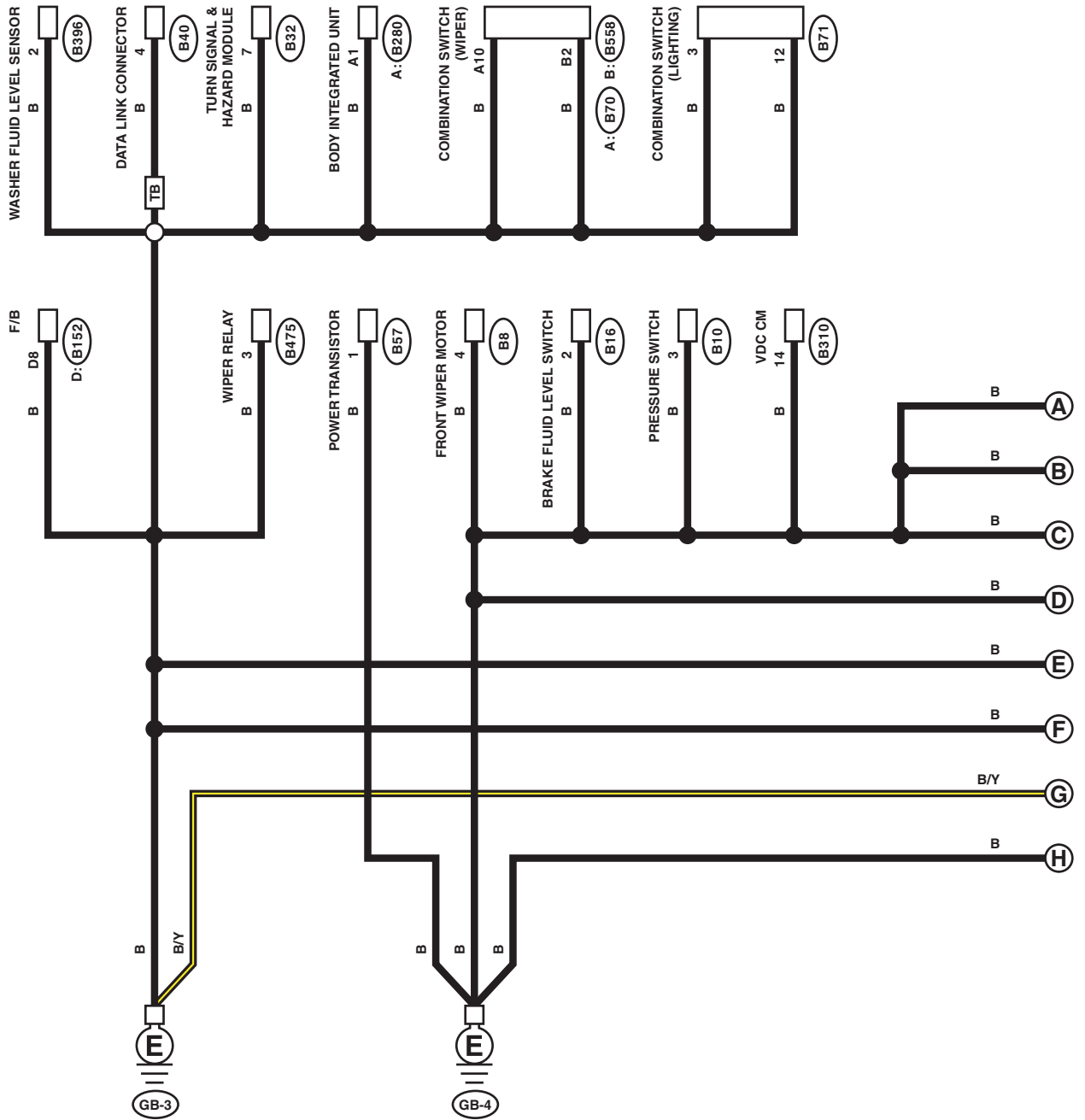
OD : WITHOUT DAYTIME RUNNING LIGHT
 WD : WITH DAYTIME RUNNING LIGHT

WI-40628

Ground Circuit

b

b

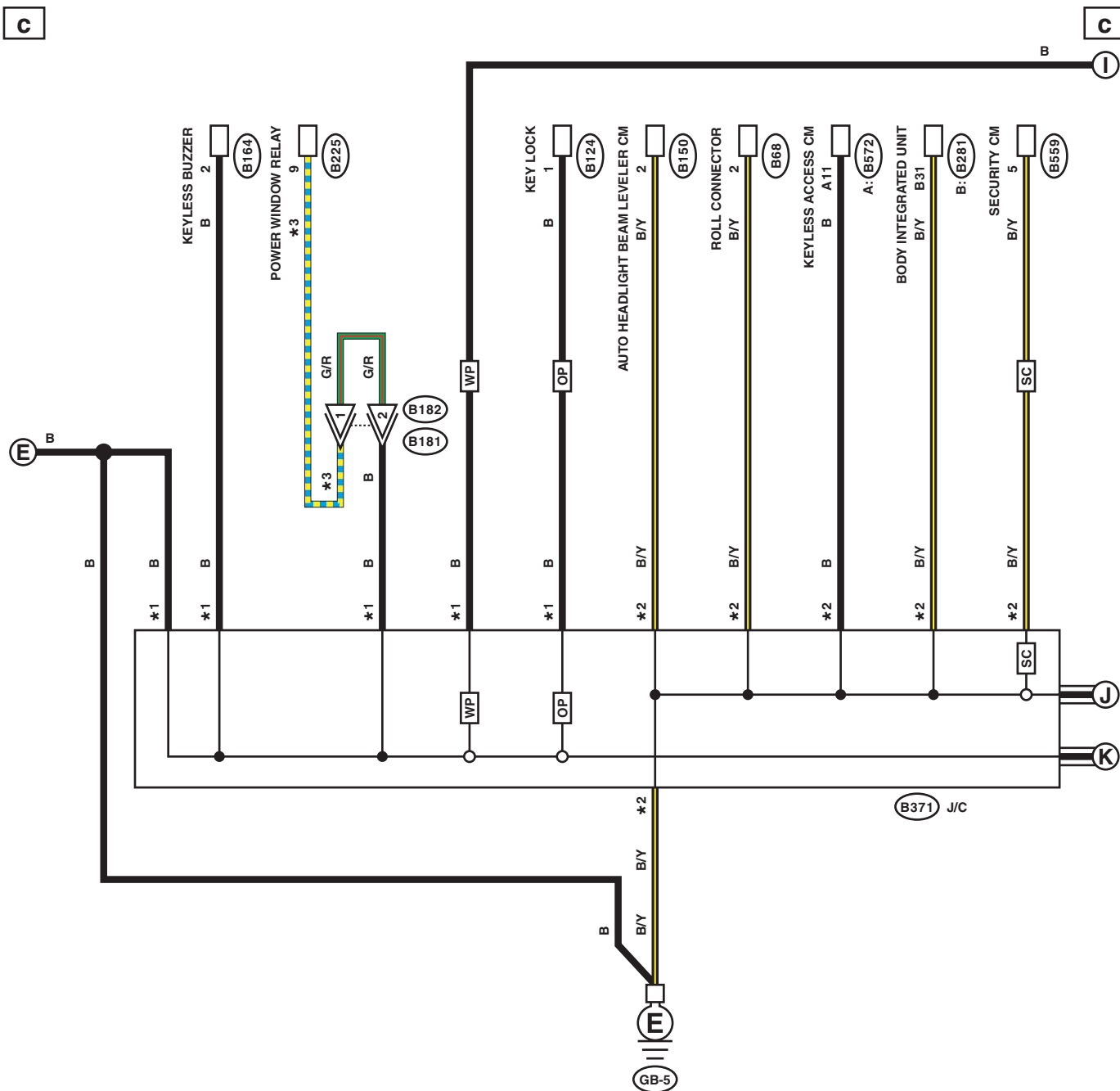


TB : TURBO MODEL

WI-40629

Ground Circuit

WIRING SYSTEM



OP : WITHOUT PUSH BUTTON START

WP : WITH PUSH BUTTON START

SC : WITH SECURITY CM

*1 : TERMINAL No. OPTIONAL ARRANGEMENT AMONG 7, 8, 9, 10, 11 AND 12

*2 : TERMINAL No. OPTIONAL ARRANGEMENT AMONG 1, 2, 3, 4, 5 AND 6

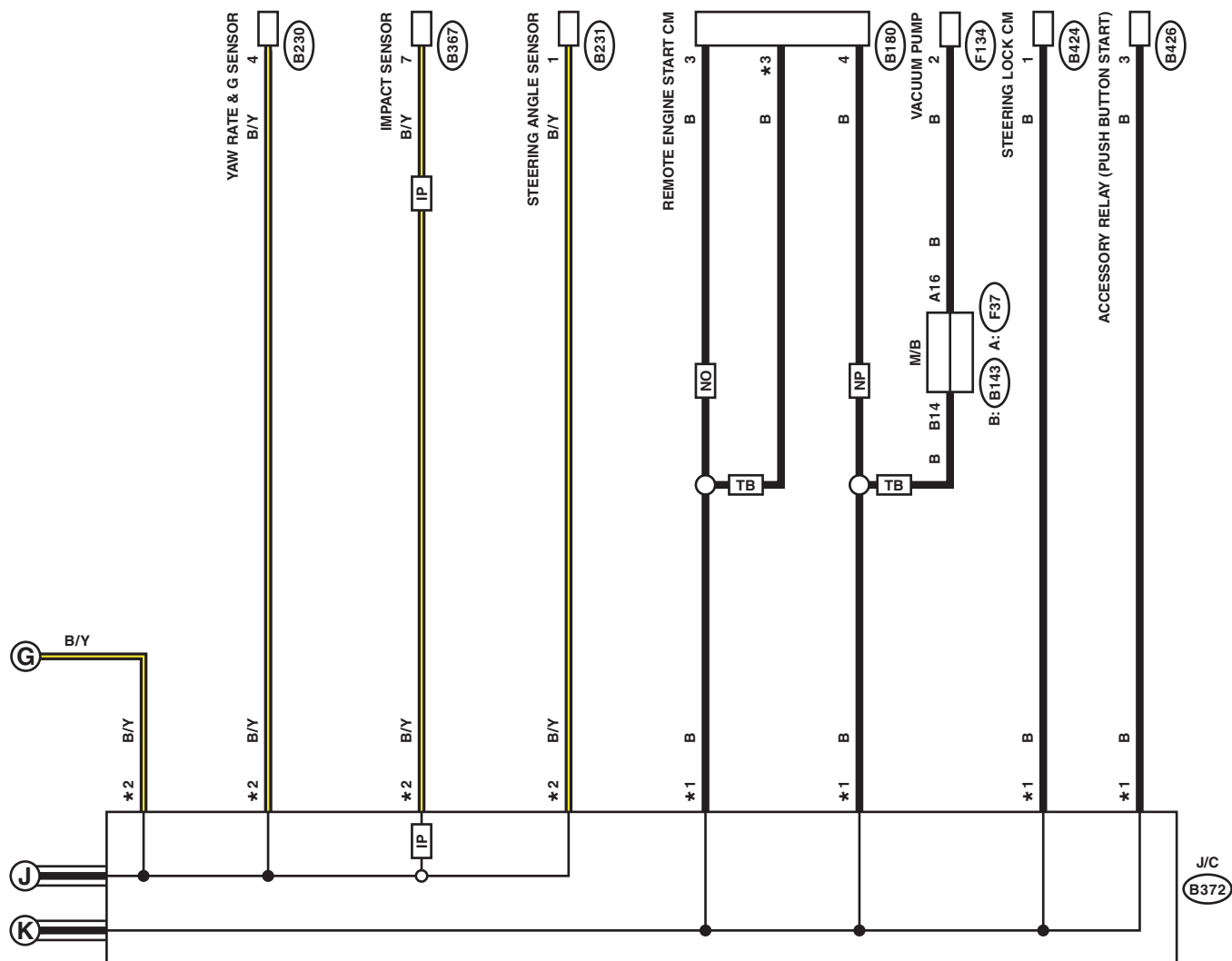
*3 : NON-TURBO MODEL : R
TURBO MODEL : G

WI-40630

Ground Circuit

d

d



- TB** : TURBO MODEL
- IP** : WITH IMPACT SENSOR
- NO** : NON-TURBO MODEL WITHOUT PUSH BUTTON START
- NP** : NON-TURBO MODEL WITH PUSH BUTTON START

- *1 : TERMINAL No. OPTIONAL ARRANGEMENT AMONG 7, 8, 9, 10, 11 AND 12
- *2 : TERMINAL No. OPTIONAL ARRANGEMENT AMONG 1, 2, 3, 4, 5 AND 6
- *3 : WITHOUT PUSH BUTTON START : 3
WITH PUSH BUTTON START : 4

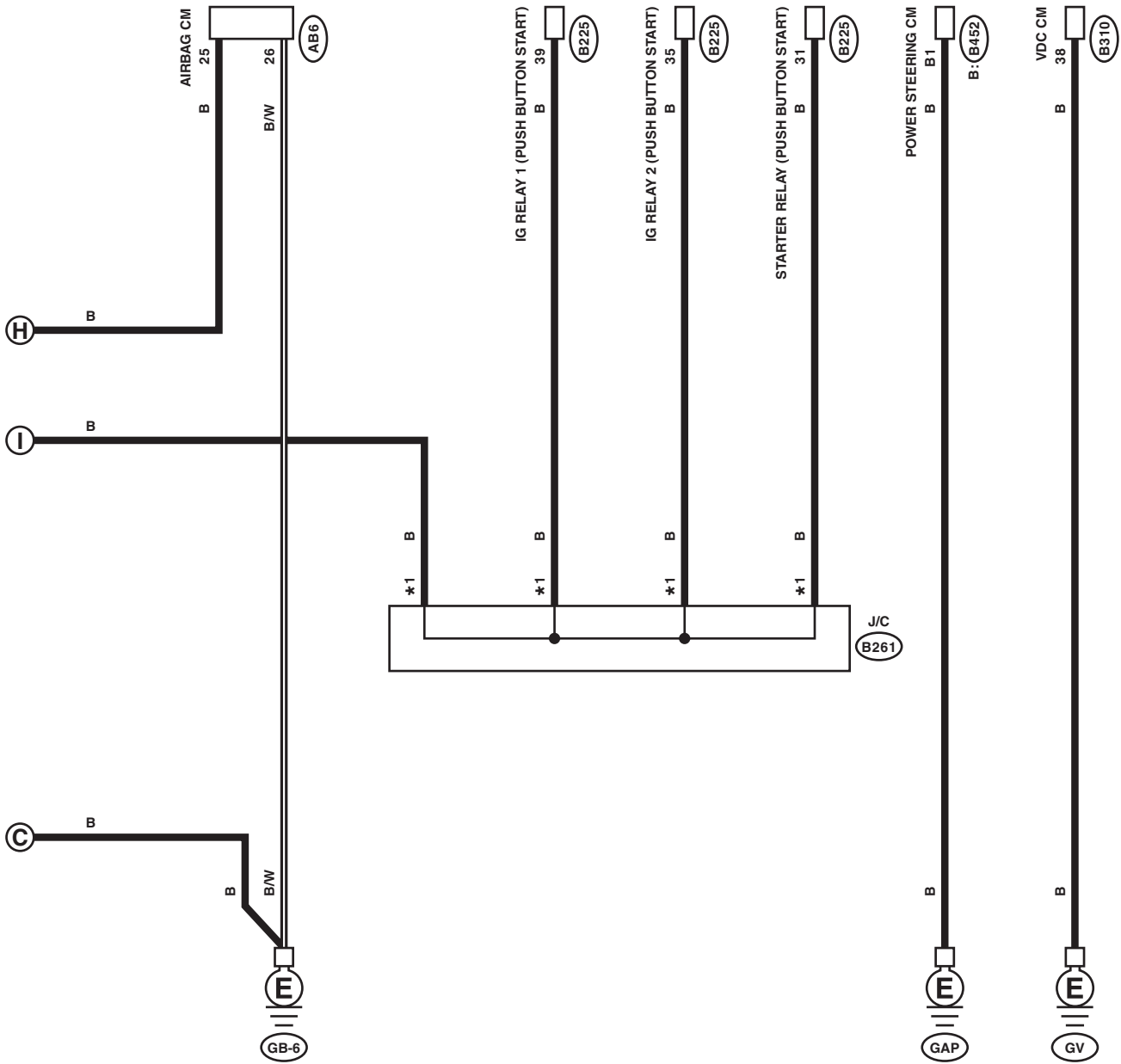
WI-40631

Ground Circuit

WIRING SYSTEM

e

e



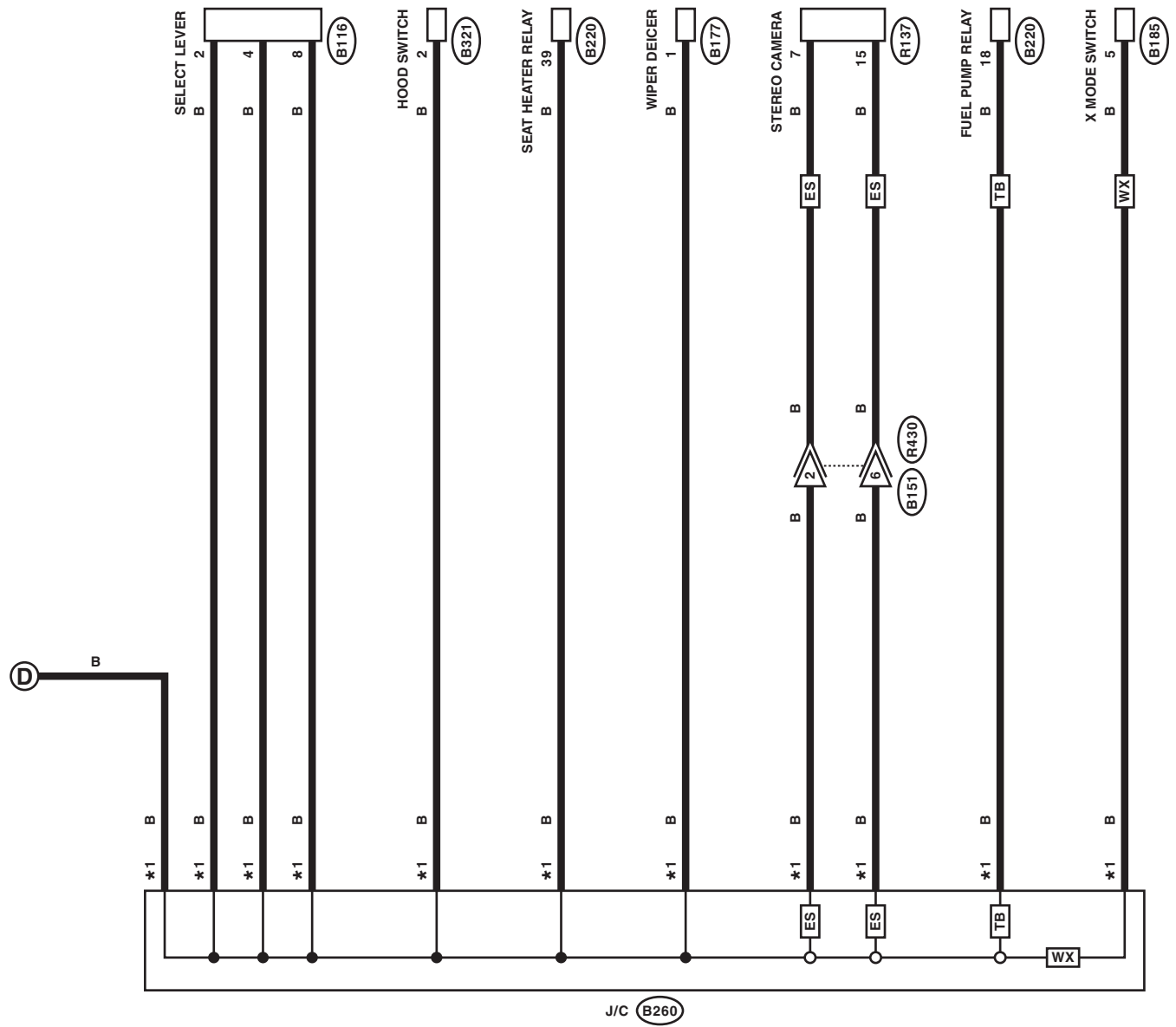
*1 : TERMINAL No. OPTIONAL ARRANGEMENT

WI-40632

Ground Circuit

f

f

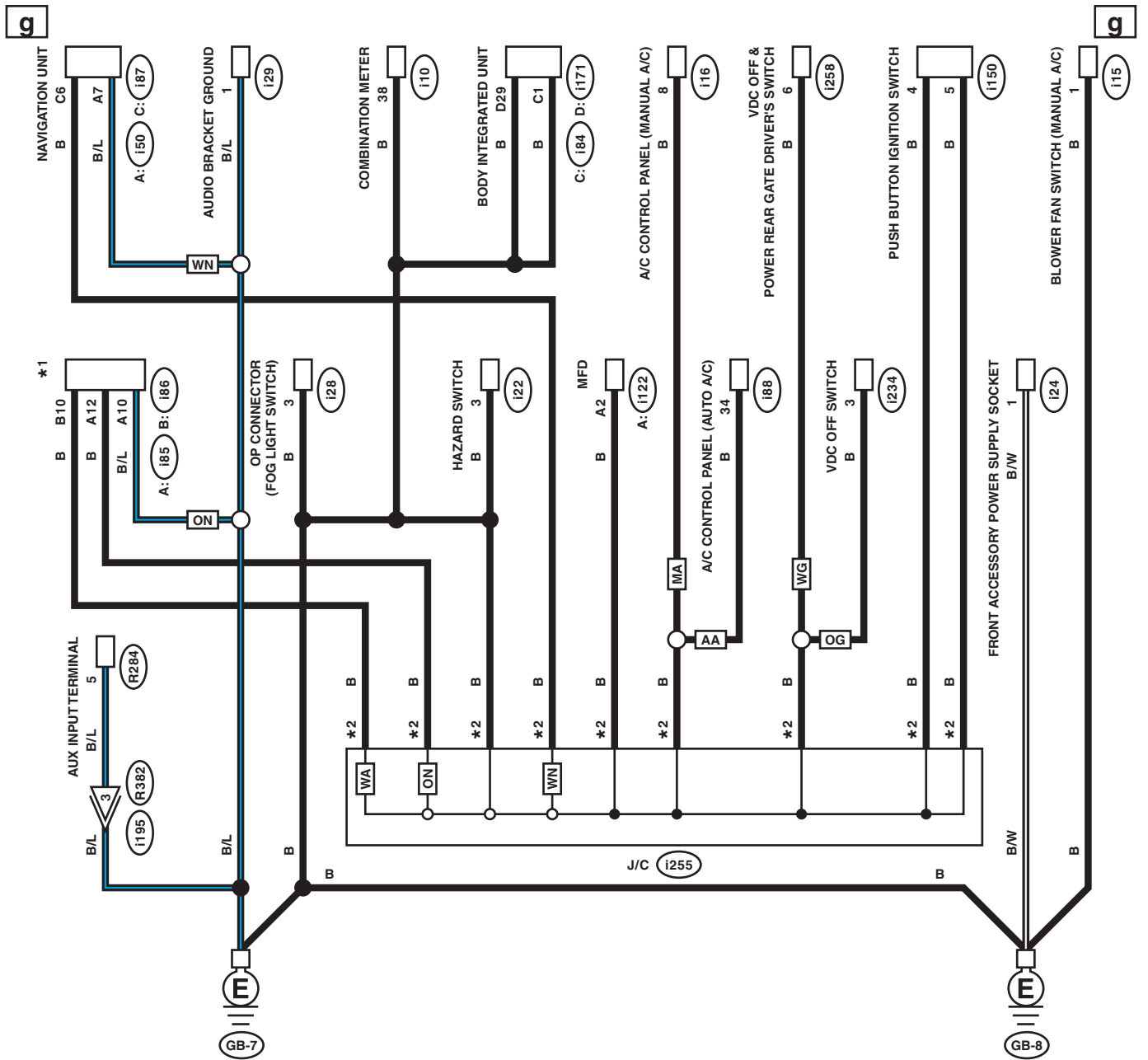


- ES : WITH EyeSight
- TB : TURBO MODEL
- WX : WITH X MODE

*1 : TERMINAL No. OPTIONAL ARRANGEMENT

Ground Circuit

WIRING SYSTEM



ON : WITHOUT NAVIGATION

WN : WITH NAVIGATION

WA : WITH AUDIO

OG : WITHOUT POWER REAR GATE

WG : WITH POWER REAR GATE

MA : MANUAL A/C

AA : AUTO A/C

*1 : WITHOUT AUDIO : AUDIO CONNECTOR
WITH AUDIO : AUDIO

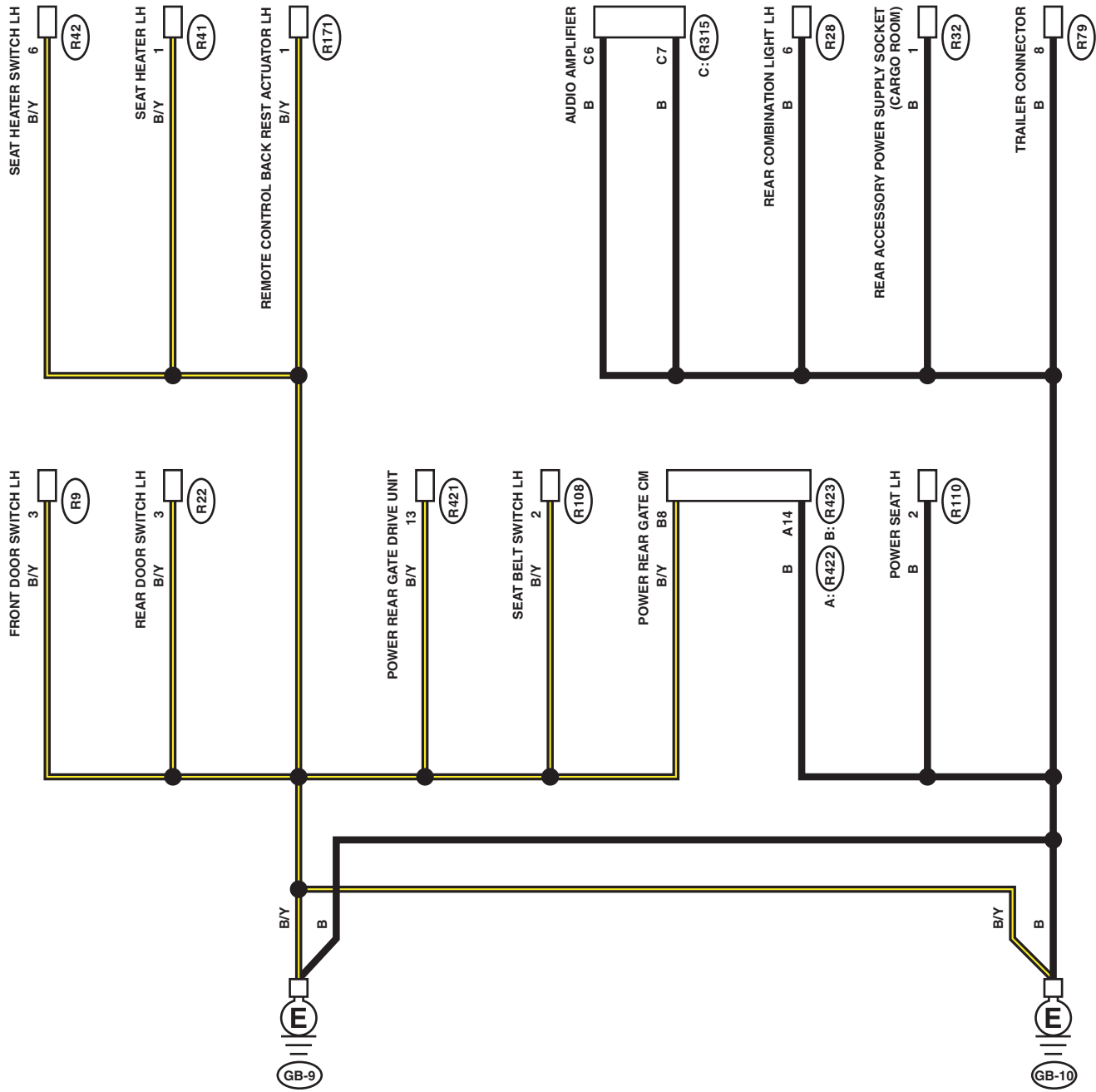
*2 : TERMINAL No. OPTIONAL ARRANGEMENT

WI-40634

Ground Circuit

h

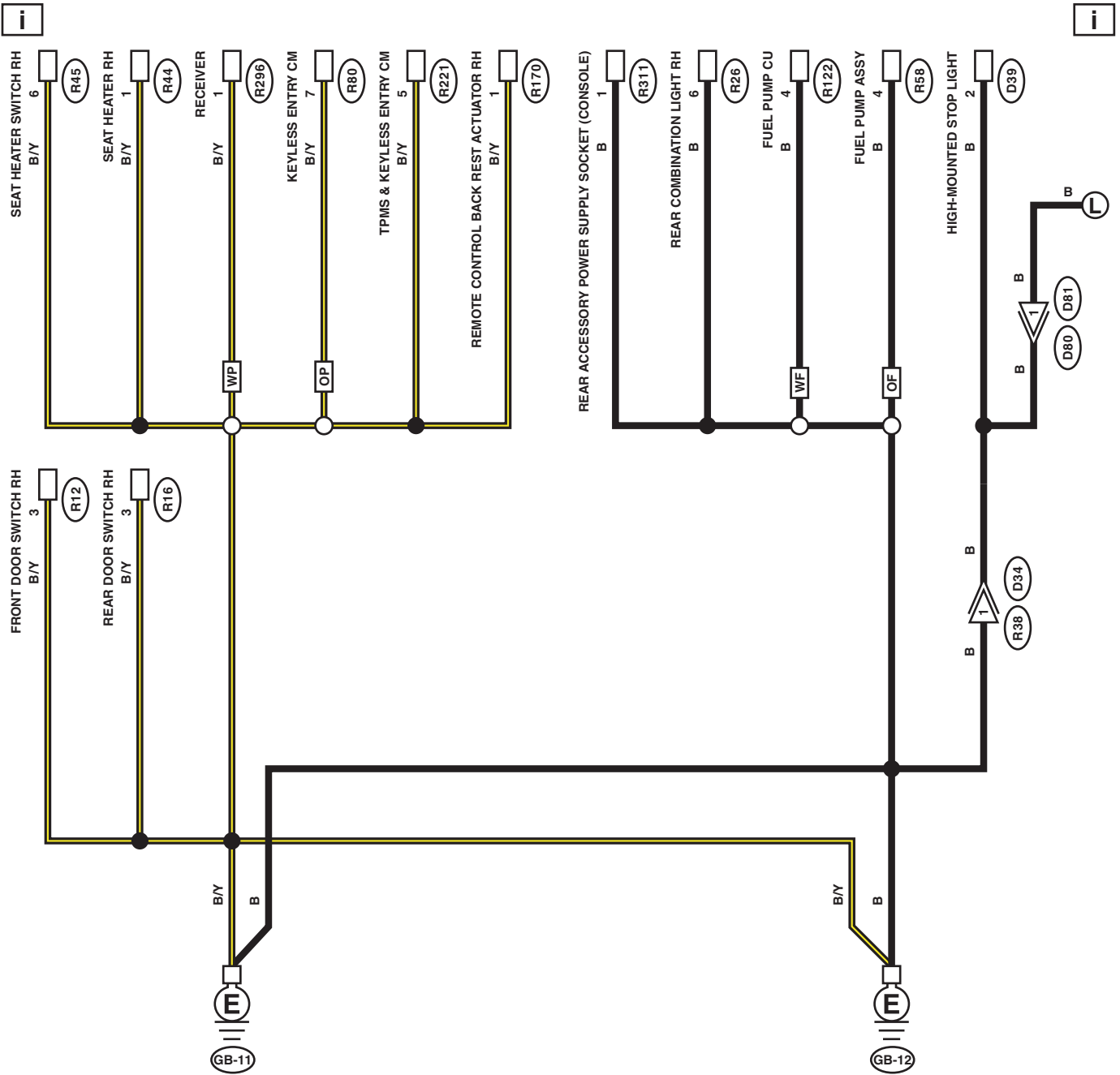
h



WI-40635

Ground Circuit

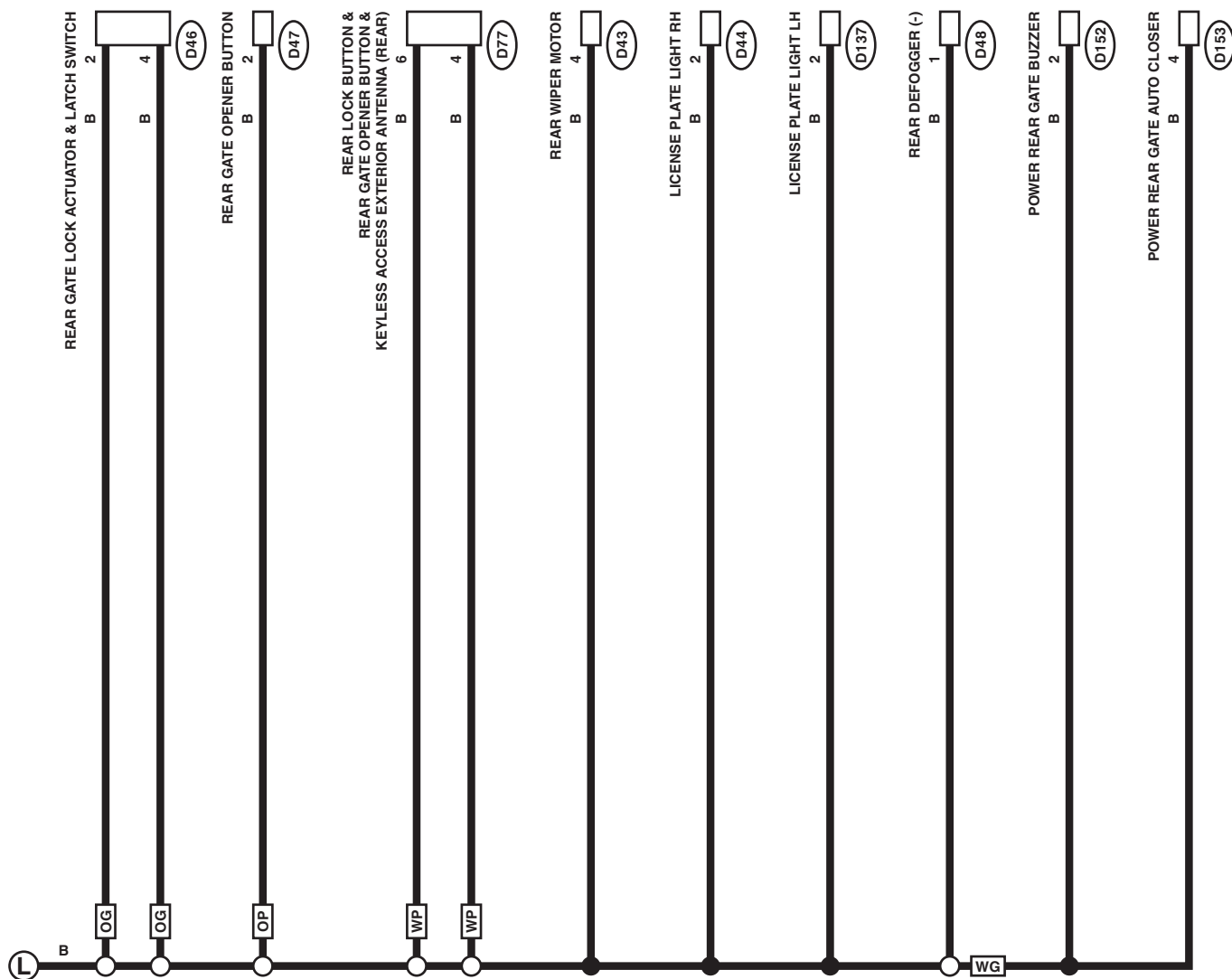
WIRING SYSTEM



- OF** : WITHOUT FUEL PUMP CU
- WF** : WITH FUEL PUMP CU
- OP** : WITHOUT PUSH BUTTON START
- WP** : WITH PUSH BUTTON START

WI-40636

Ground Circuit



- OP : WITHOUT PUSH BUTTON START
- WP : WITH PUSH BUTTON START
- OG : WITHOUT POWER REAR GATE
- WG : WITH POWER REAR GATE

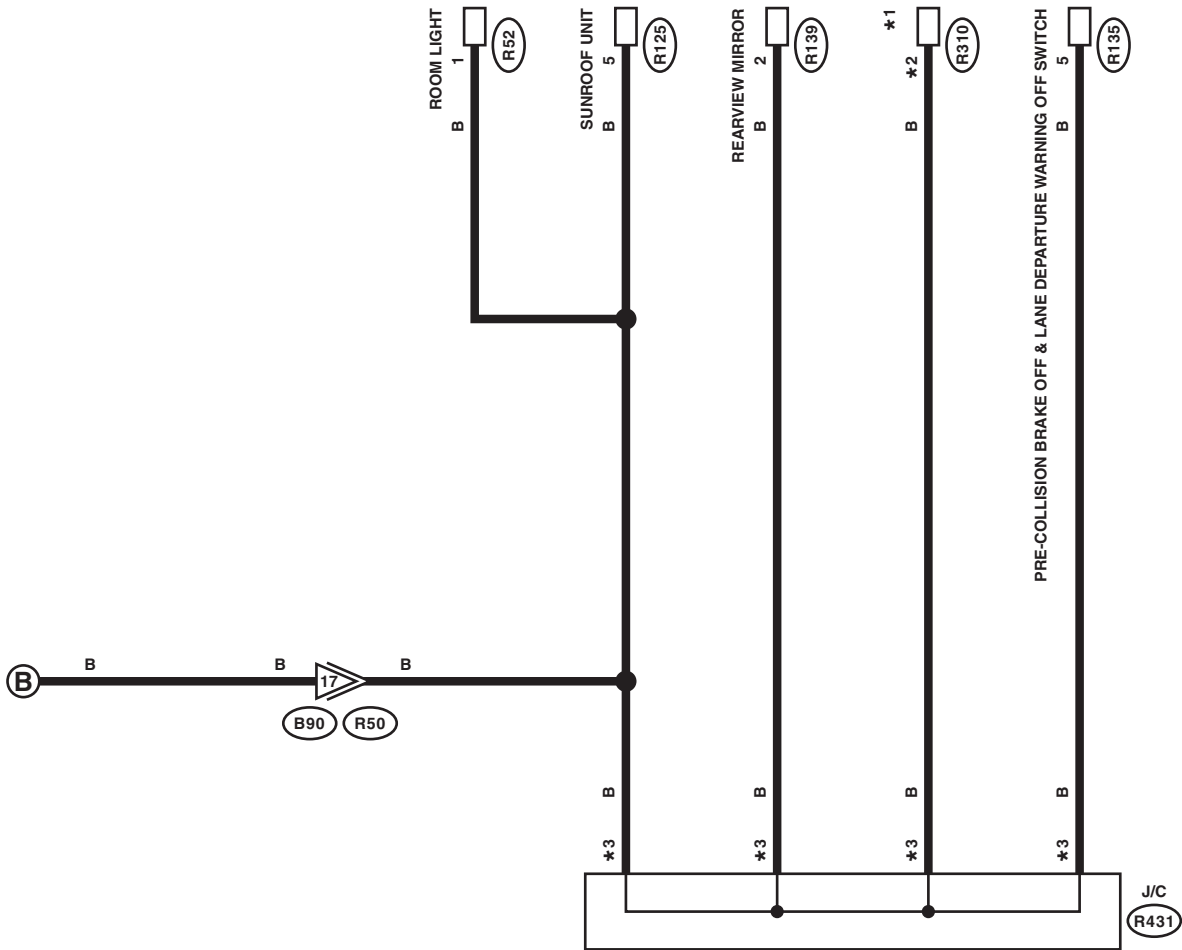
WI-40637

Ground Circuit

WIRING SYSTEM

k

k



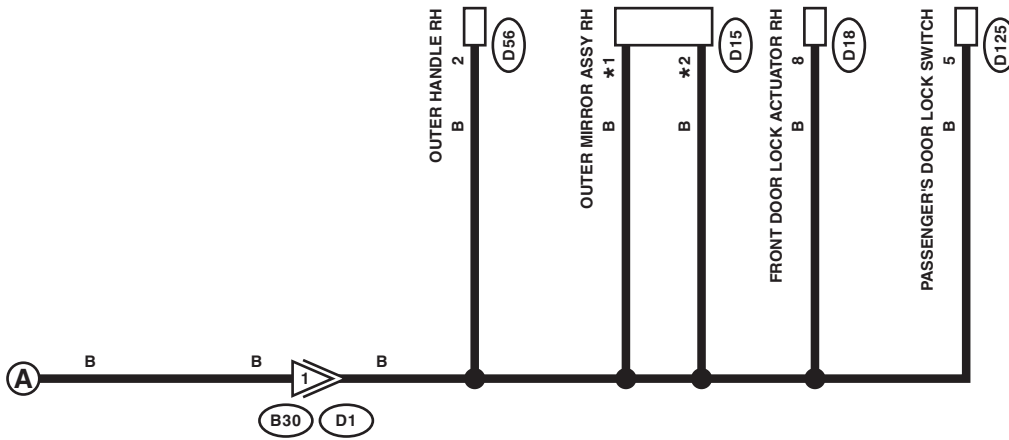
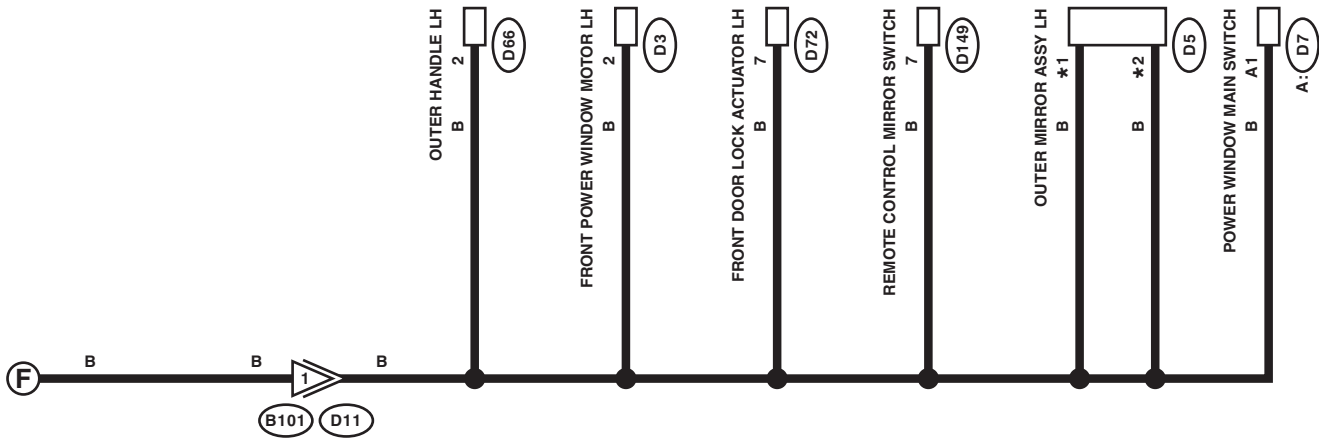
*1 : WITHOUT EyeSight : OVERHEAD CONSOLE (SPOT MAP LIGHT)
 WITH EyeSight : STEREO CAMERA COVER (SPOT MAP LIGHT)

*2 : WITHOUT EyeSight : 5
 WITH EyeSight : 8

*3 : TERMINAL No. OPTIONAL ARRANGEMENT

WI-40638

Ground Circuit



*1 : C6 MODEL : 5
EXCEPT FOR C6 MODEL : 6

*2 : C6 MODEL : 10
EXCEPT FOR C6 MODEL : 11

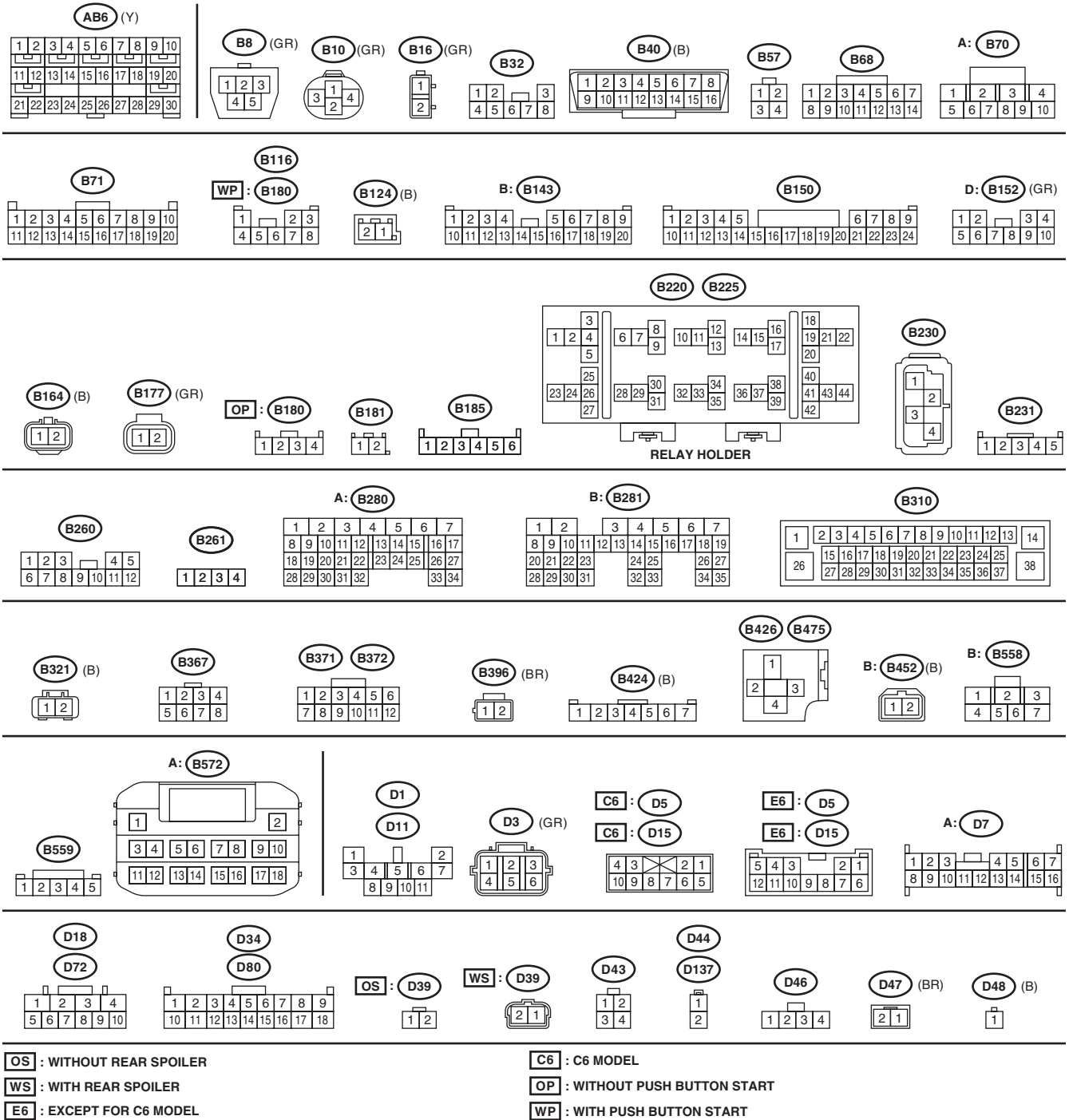
Ground Circuit

WIRING SYSTEM

m

m

LIST OF CONNECTORS

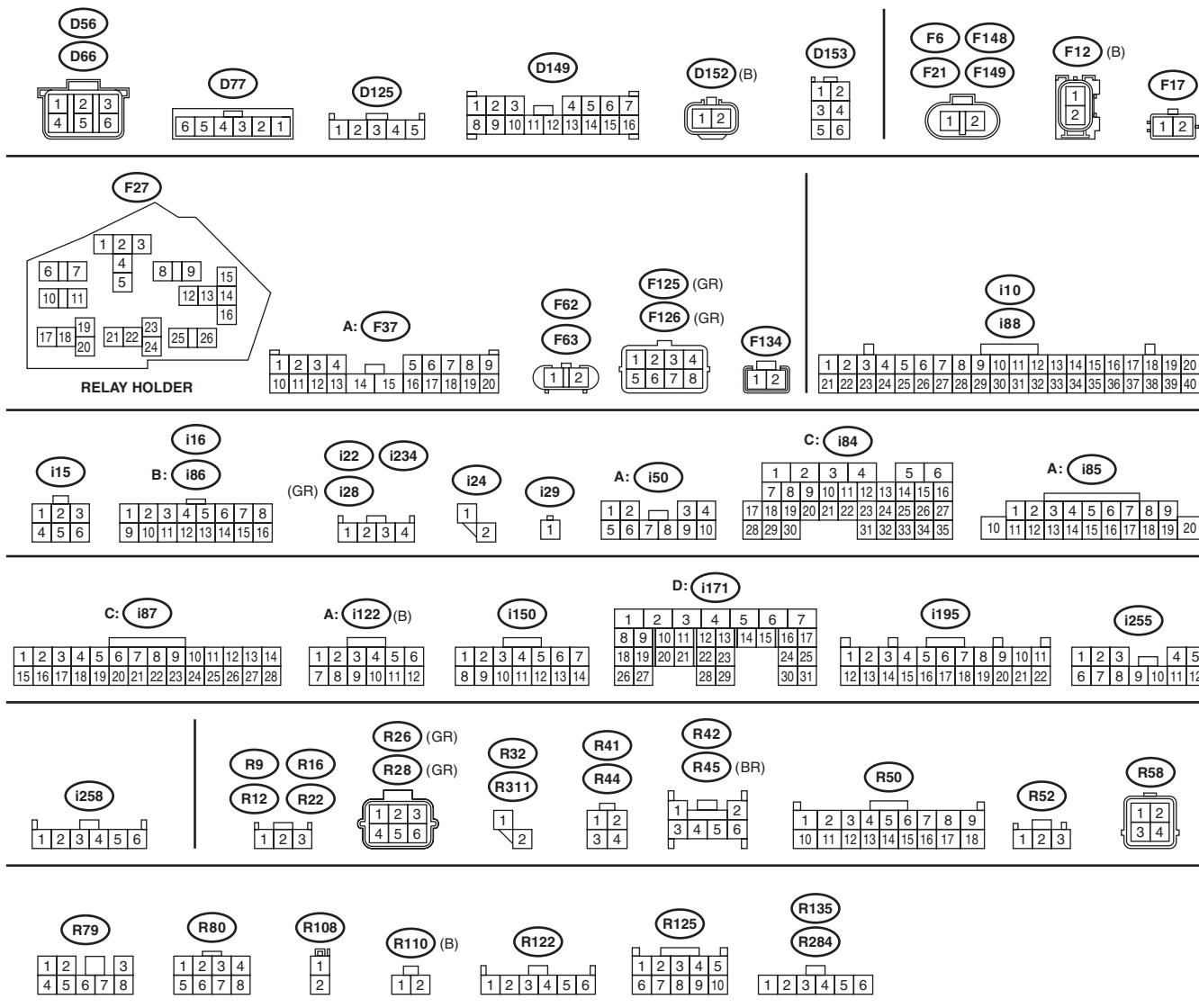


WI-40640

n

n

LIST OF CONNECTORS



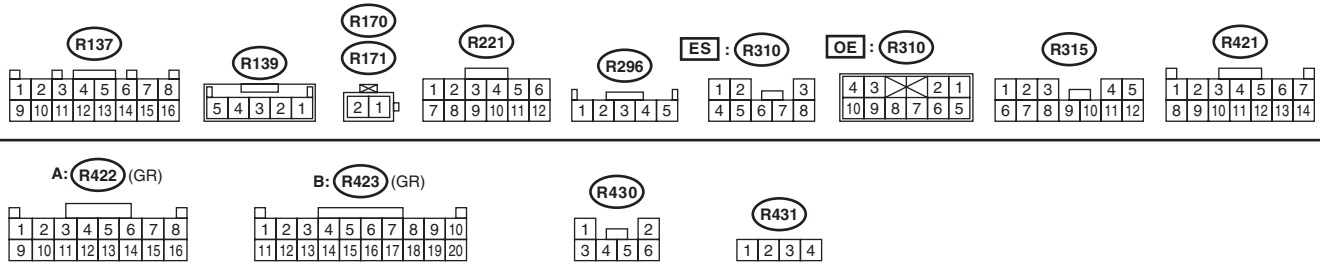
WI-40641

Ground Circuit

WIRING SYSTEM



LIST OF CONNECTORS



OE : WITHOUT EyeSight
ES : WITH EyeSight

WI-40642