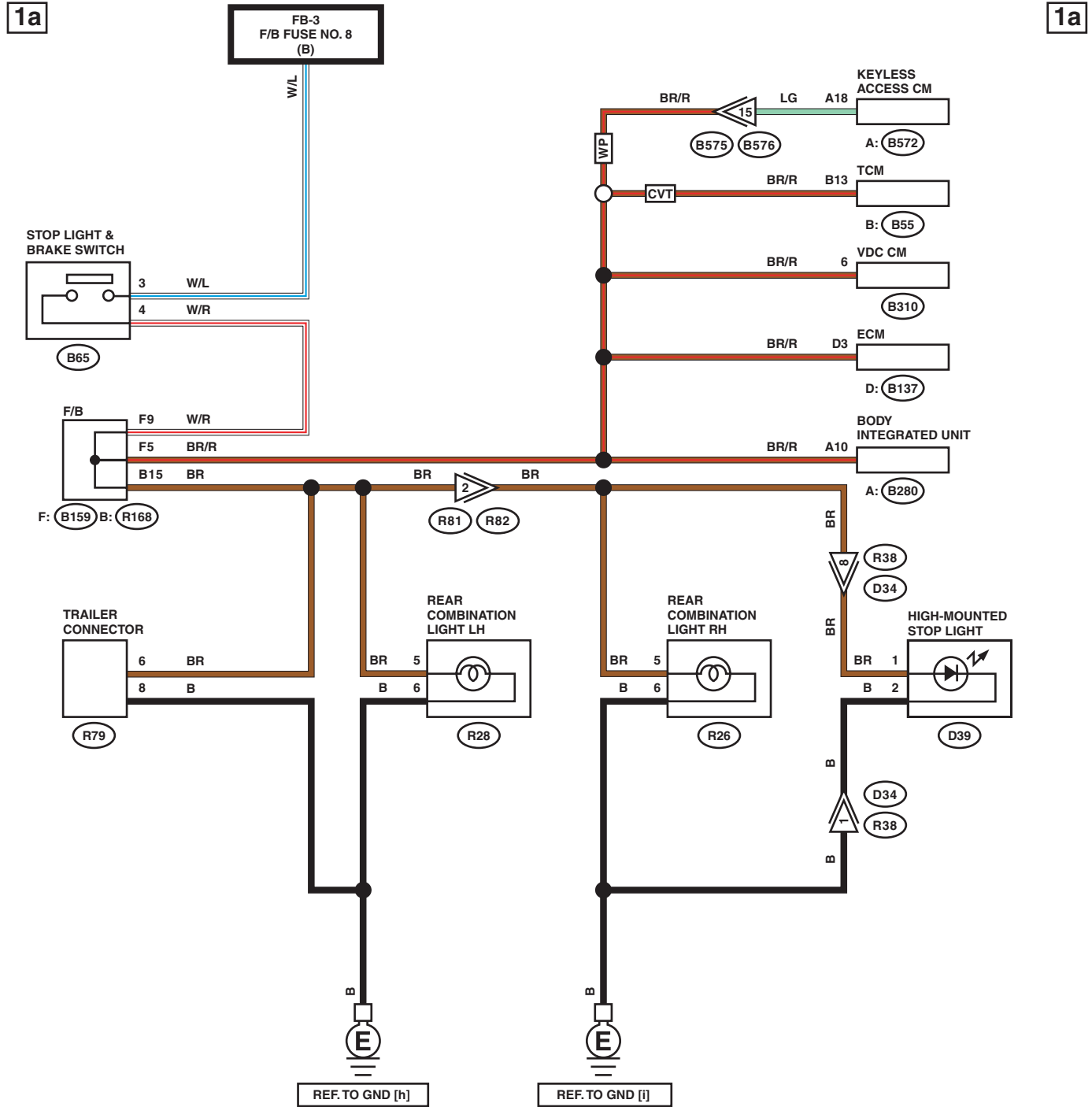


55. Stop Light System

A: WIRING DIAGRAM

1. WITHOUT EyeSight AND X MODE



WP : WITH PUSH BUTTON START

WI-40965

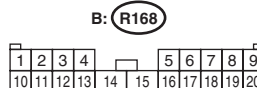
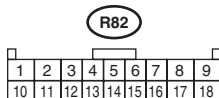
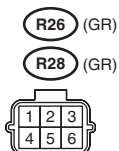
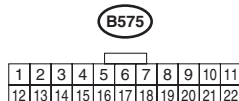
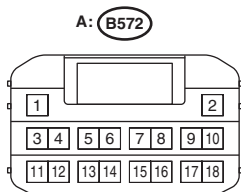
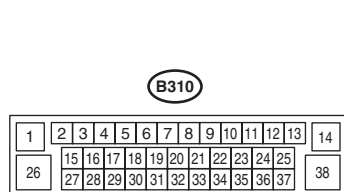
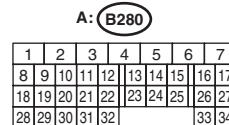
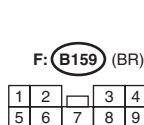
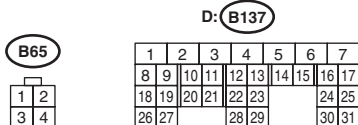
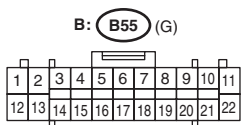
Stop Light System

WIRING SYSTEM

1b

1b

LIST OF CONNECTORS



OS : WITHOUT REAR SPOILER

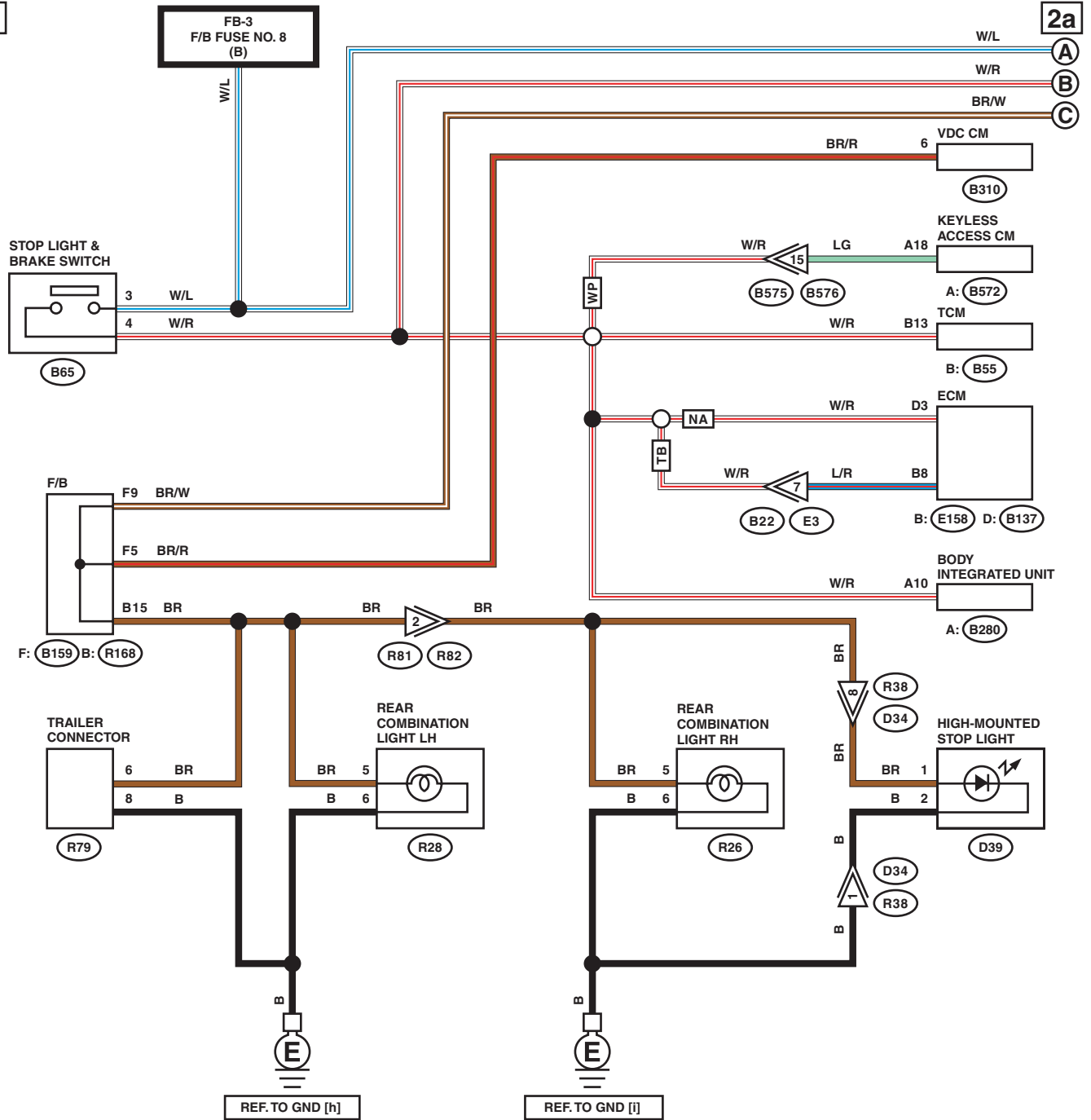
WS : WITH REAR SPOILER

WI-40966

Stop Light System

2. WITH EyeSight AND X MODE

2a

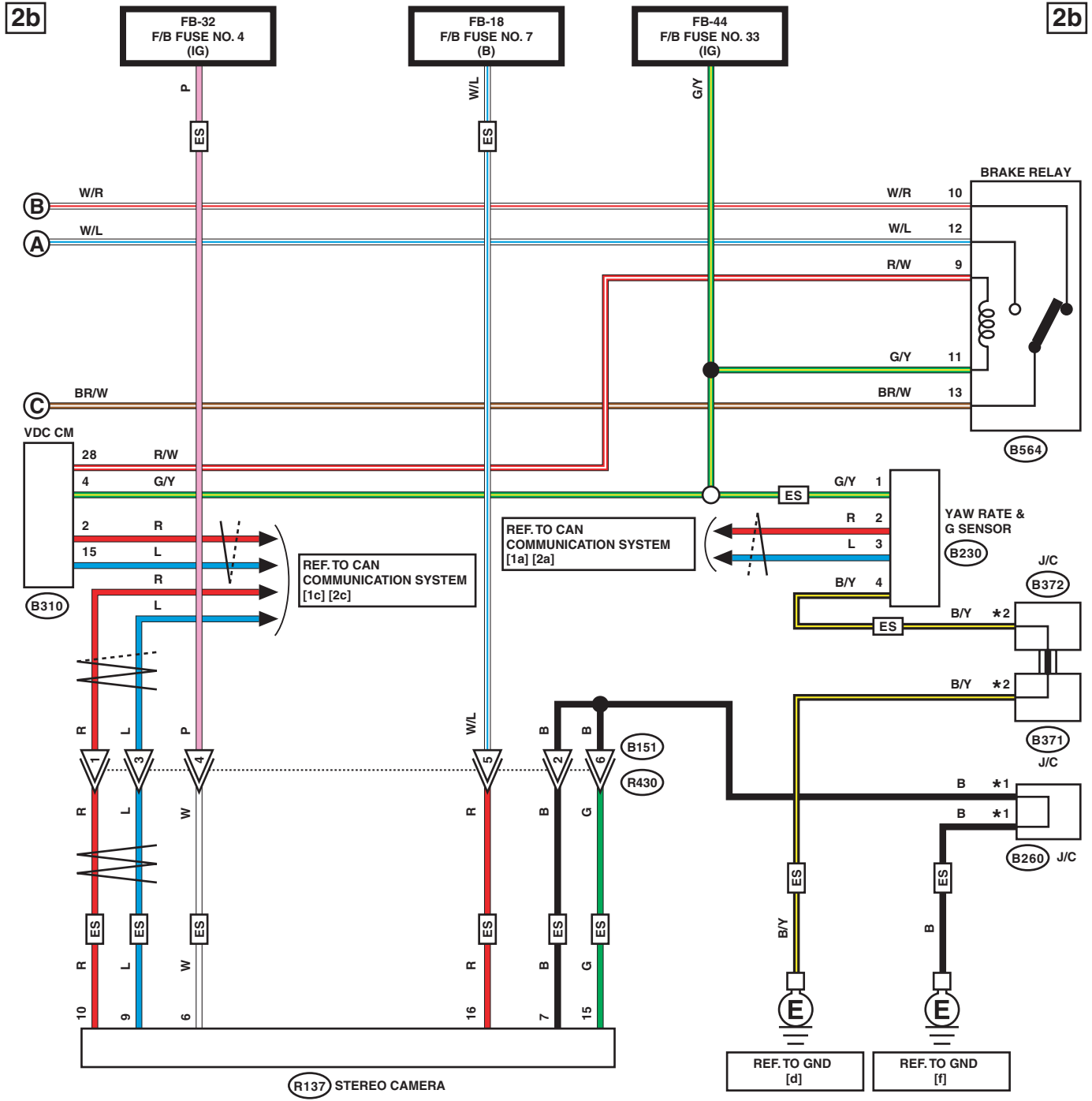


- NA** : NON-TURBO MODEL
- TB** : TURBO MODEL
- WP** : WITH PUSH BUTTON START

WI-40967

Stop Light System

WIRING SYSTEM



ES : WITH EyeSight

*1 : TERMINAL No. OPTIONAL ARRANGEMENT

*2 : TERMINAL No. OPTIONAL ARRANGEMENT AMONG 1, 2, 3, 4, 5 AND 6

WI-40968

