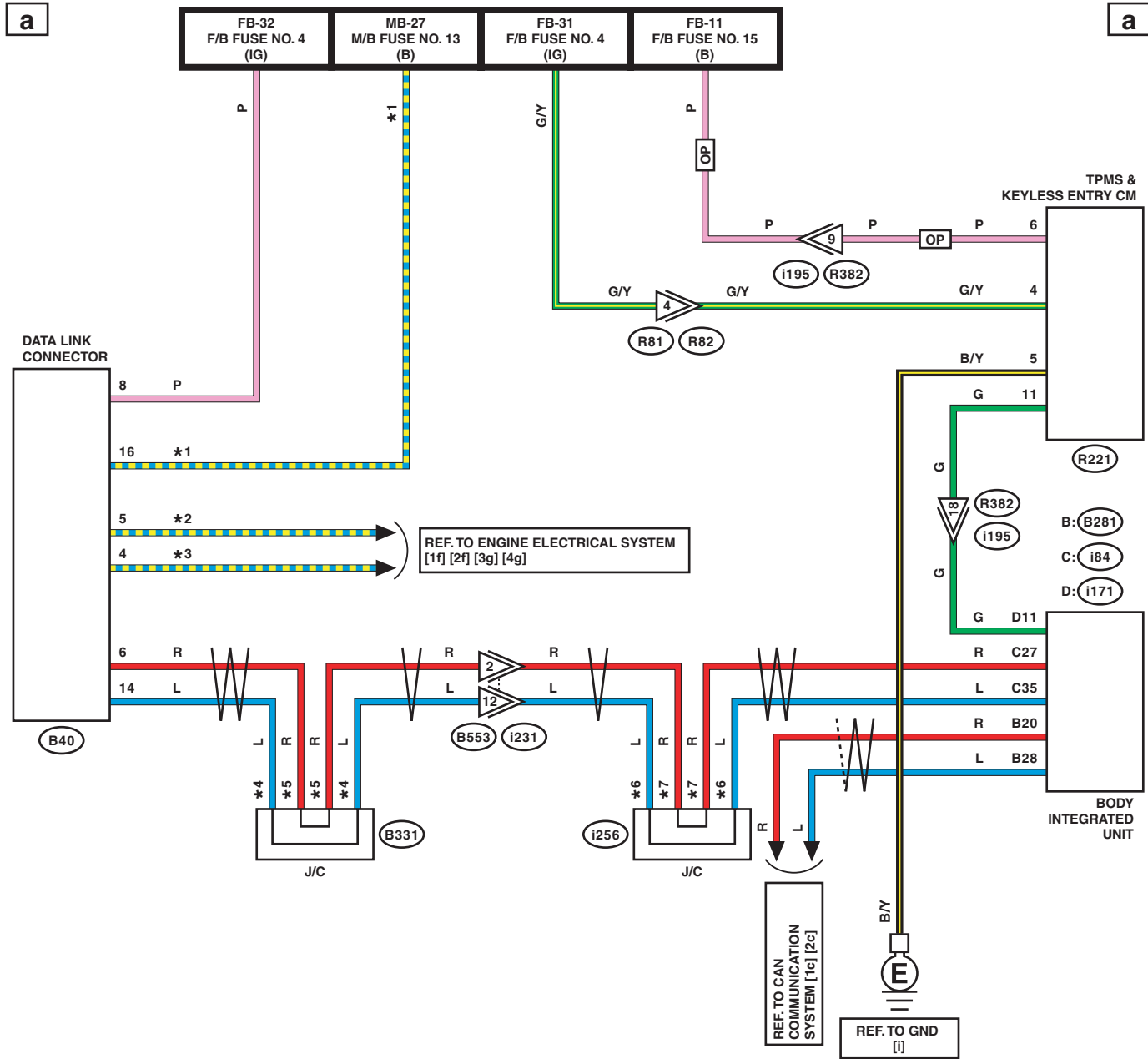


# Tire Pressure Monitoring System

## WIRING SYSTEM

### 57. Tire Pressure Monitoring System

#### A: WIRING DIAGRAM



**OP** : WITHOUT PUSH BUTTON START

\*1 : NON-TURBO MODEL : G  
TURBO MODEL : W/L

\*2 : NON-TURBO MODEL : B  
TURBO MODEL : B/R

\*3 : NON-TURBO MODEL : B/G  
TURBO MODEL : B

\*4 : TERMINAL No. OPTIONAL ARRANGEMENT AMONG 12, 13, 14, 15, 16, 17, 18, 19, 20, 21 AND 22

\*5 : TERMINAL No. OPTIONAL ARRANGEMENT AMONG 1, 2, 3, 4, 5, 6, 7, 8, 9, 10 AND 11

\*6 : TERMINAL No. OPTIONAL ARRANGEMENT AMONG 4, 5, 9, 10, 11 AND 12

\*7 : TERMINAL No. OPTIONAL ARRANGEMENT AMONG 1, 2, 3, 6, 7 AND 8

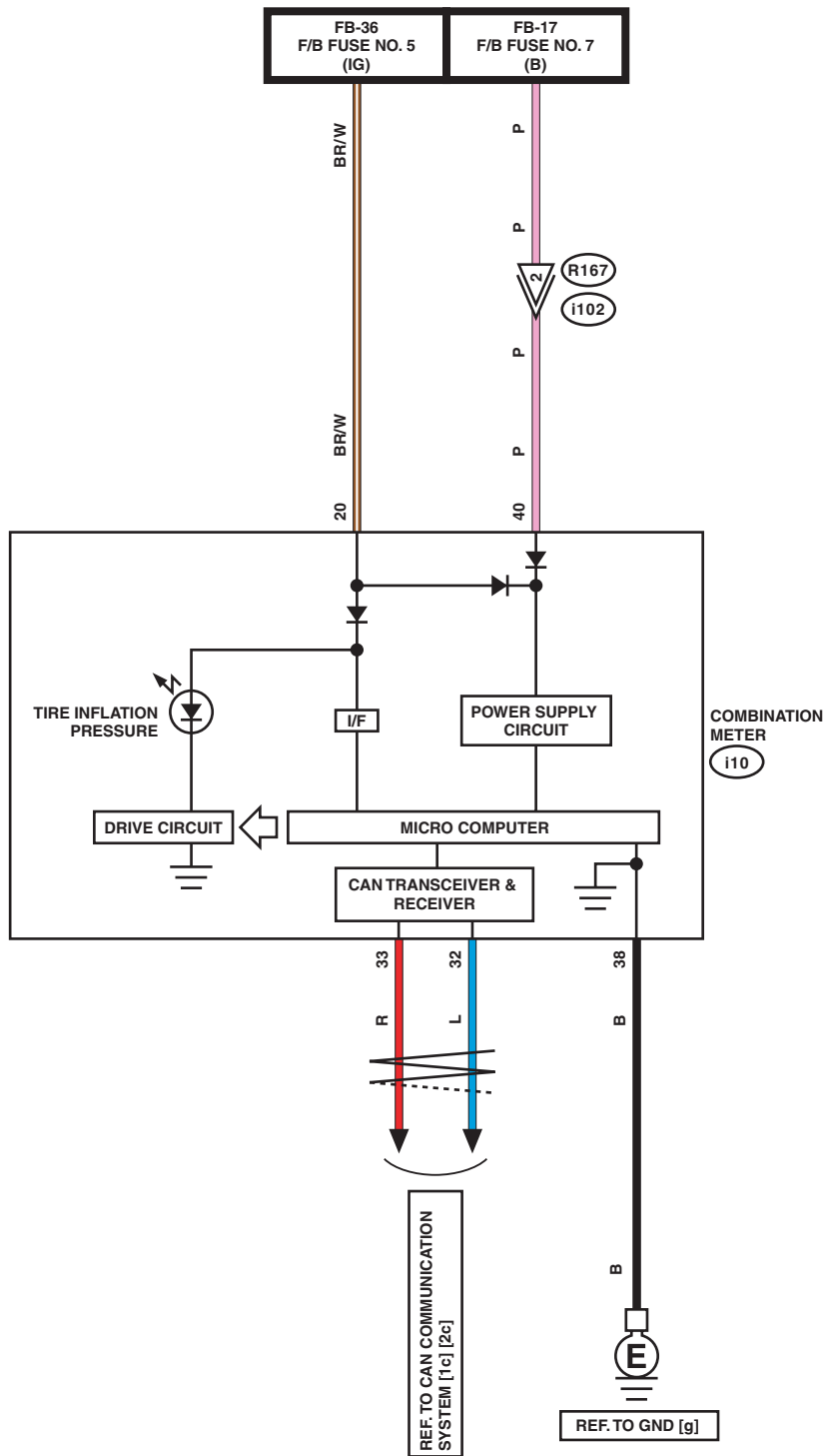
WI-40972

# Tire Pressure Monitoring System

WIRING SYSTEM

b

b



WI-40973

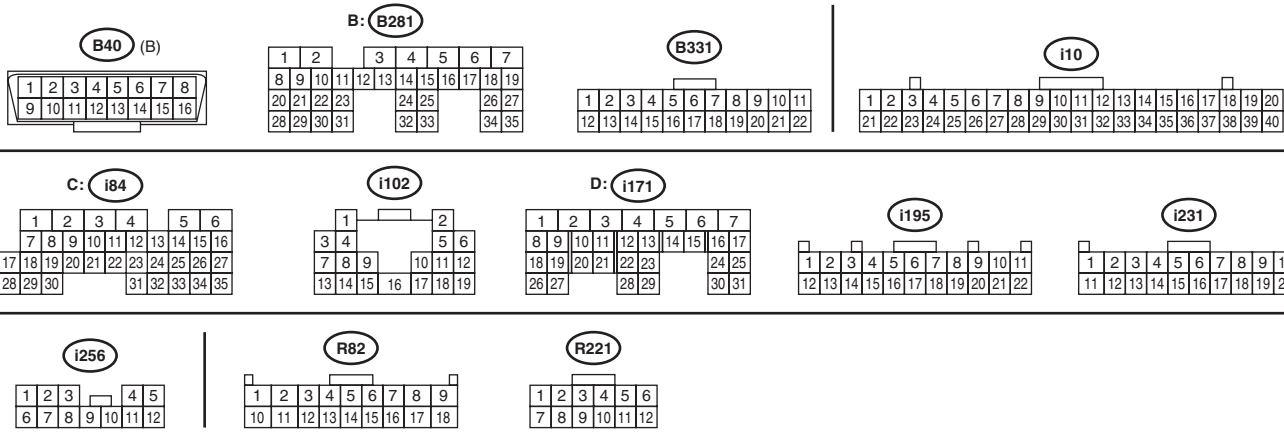
# Tire Pressure Monitoring System

WIRING SYSTEM

C

C

## LIST OF CONNECTORS



WI-40974