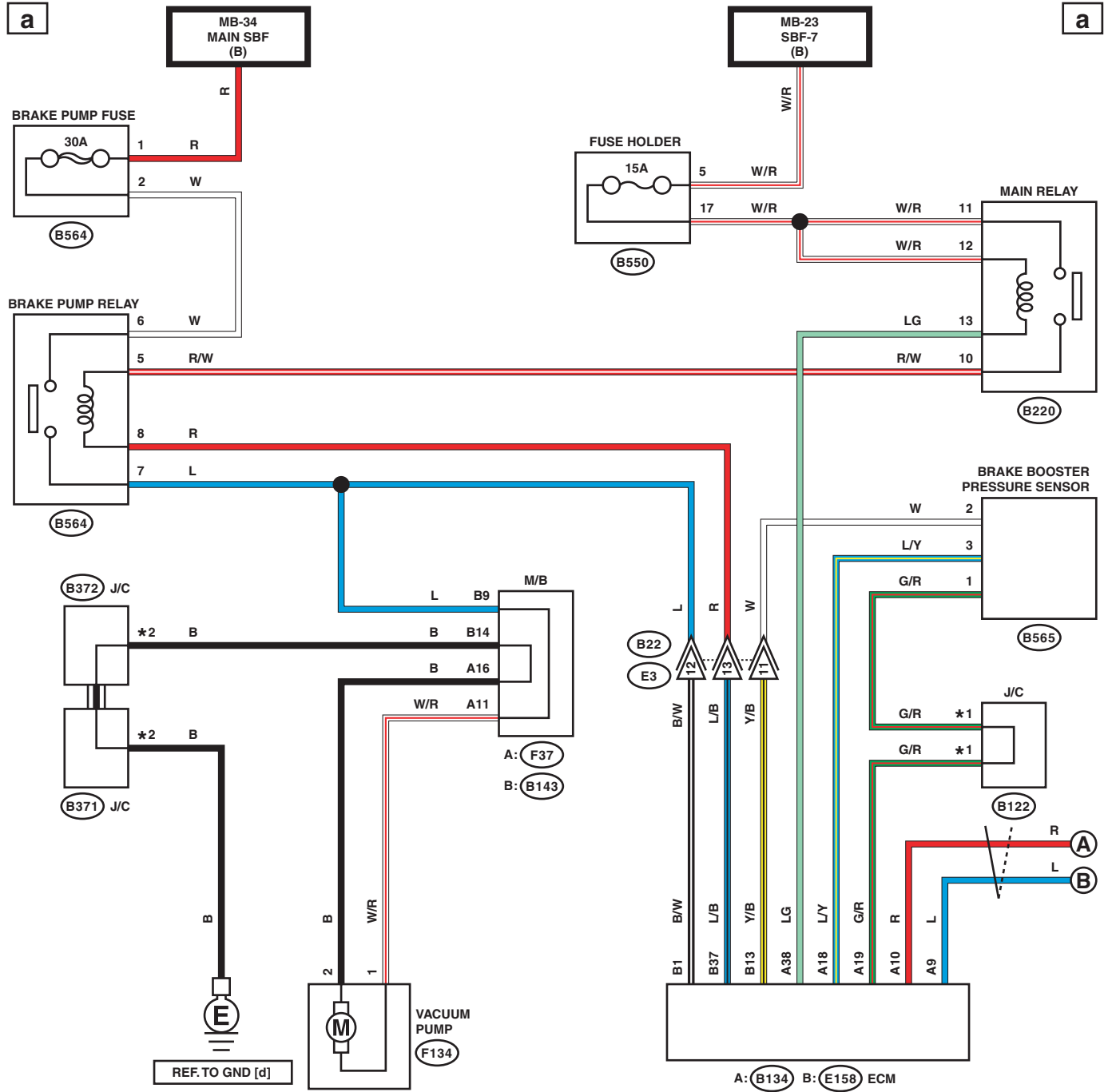


59. Vacuum Pump Control System

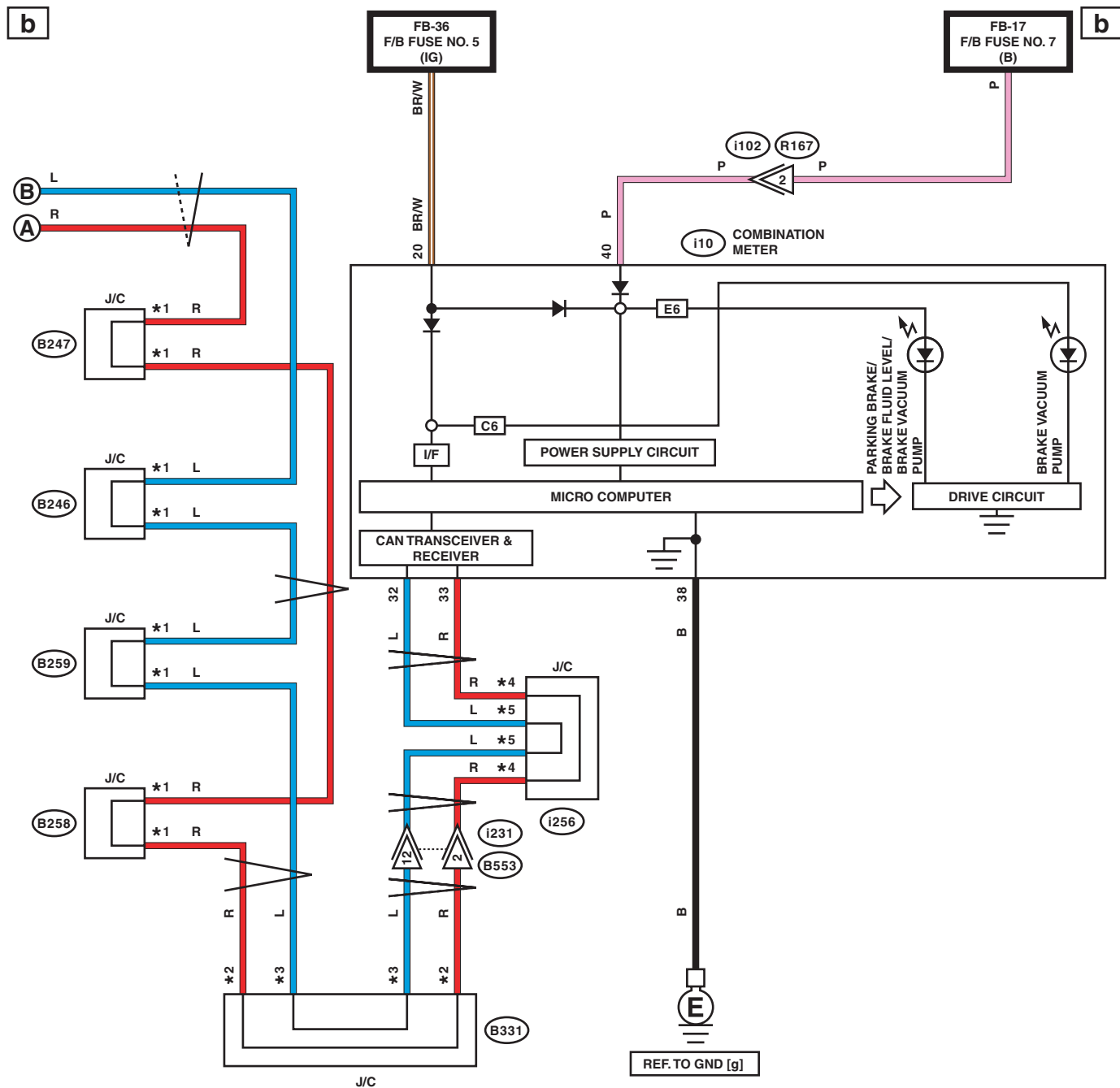
A: WIRING DIAGRAM



*1 : TERMINAL No. OPTIONAL ARRANGEMENT
 *2 : TERMINAL No. OPTIONAL ARRANGEMENT AMONG 7, 8, 9, 10, 11 AND 12

Vacuum Pump Control System

WIRING SYSTEM



E6 : EXCEPT FOR C6 MODEL

C6 : C6 MODEL

*1 : TERMINAL No. OPTIONAL ARRANGEMENT

*2 : TERMINAL No. OPTIONAL ARRANGEMENT AMONG 1, 2, 3, 4, 5, 6, 7, 8, 9, 10 AND 11

*3 : TERMINAL No. OPTIONAL ARRANGEMENT AMONG 12, 13, 14, 15, 16, 17, 18, 19, 20, 21 AND 22

*4 : TERMINAL No. OPTIONAL ARRANGEMENT AMONG 1, 2, 3, 6, 7 AND 8

*5 : TERMINAL No. OPTIONAL ARRANGEMENT AMONG 4, 5, 9, 10, 11 AND 12

WI-41123

