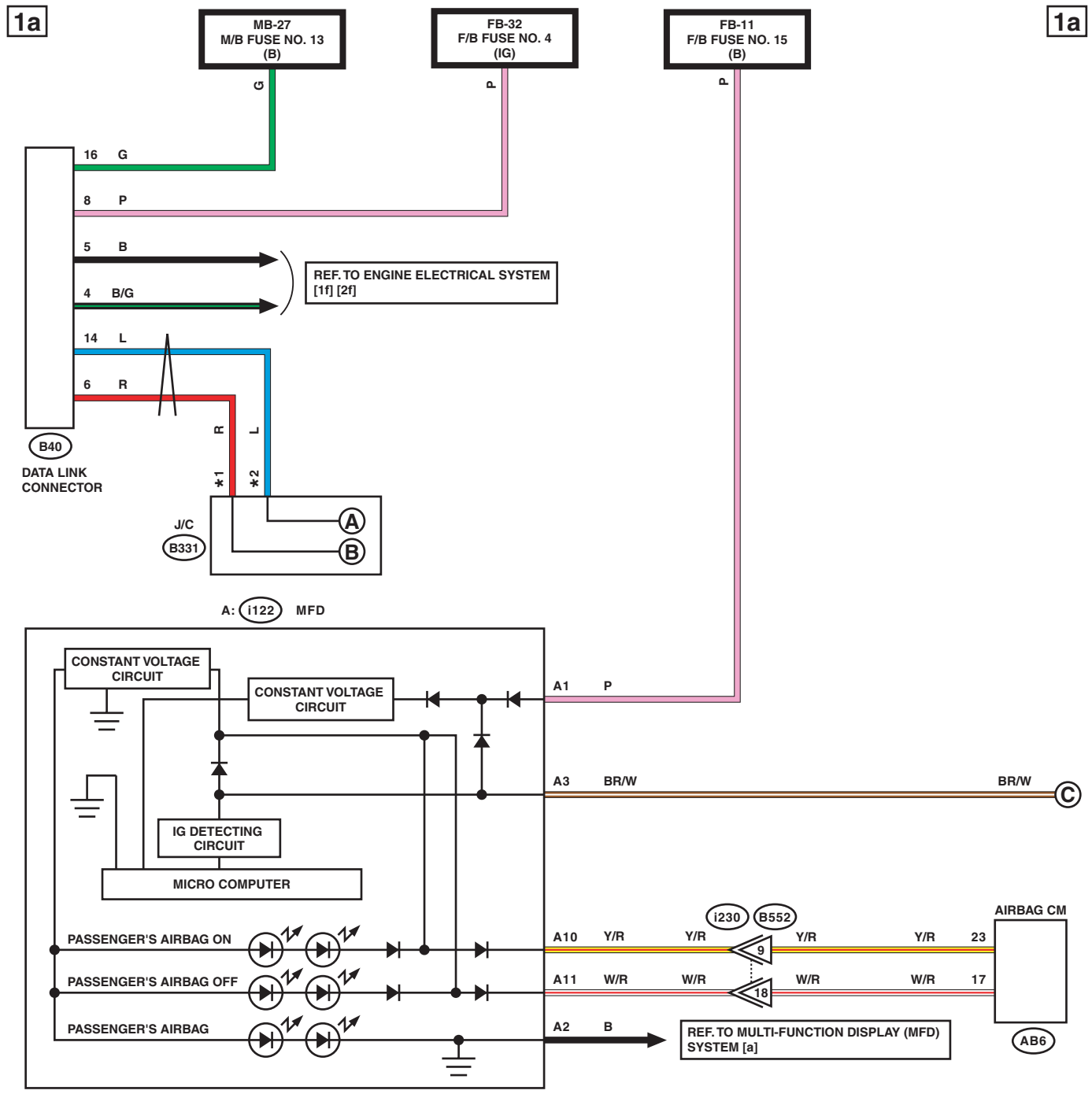


6. Airbag System

A: WIRING DIAGRAM

1. NON-TURBO MODEL



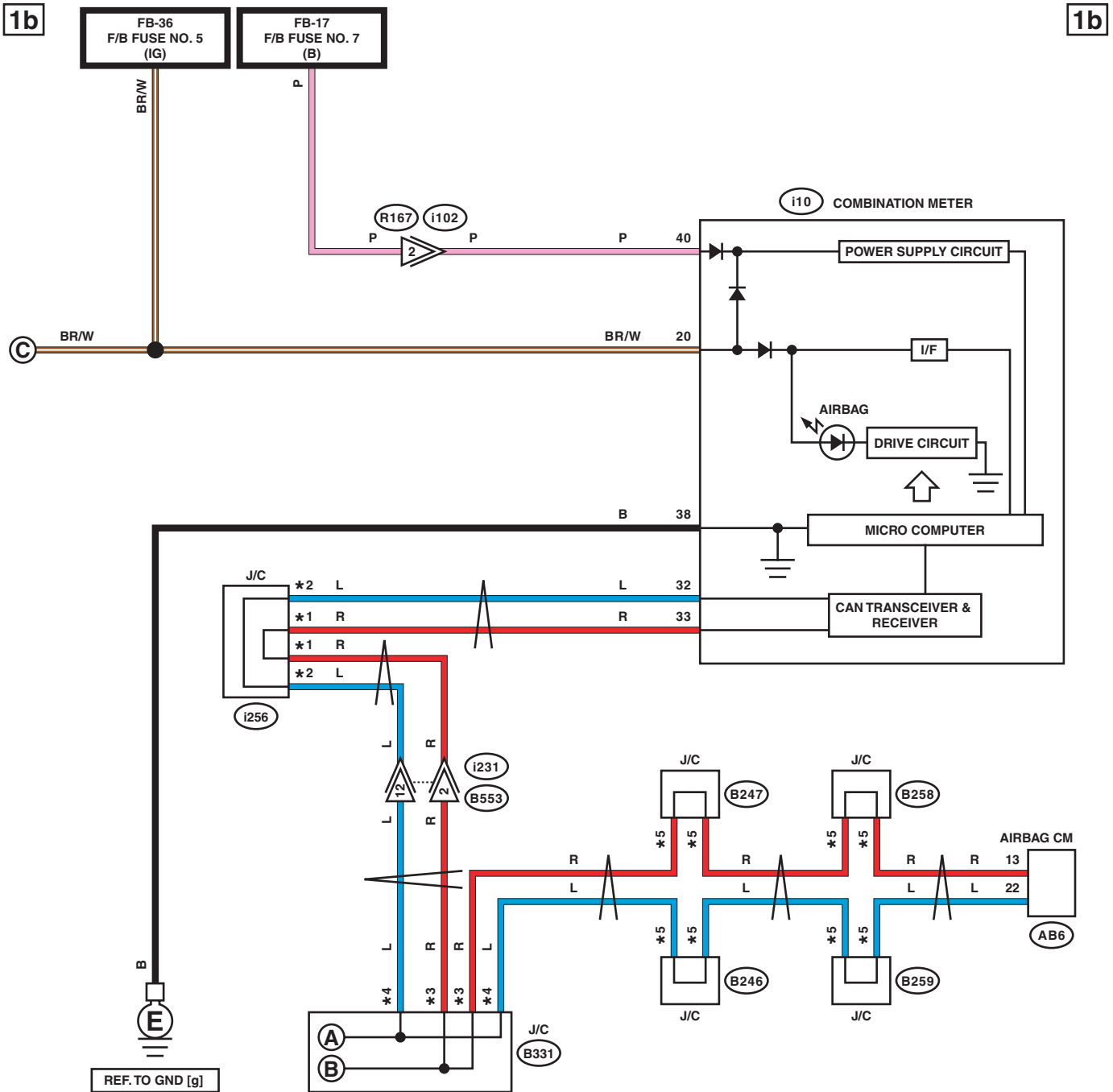
*1 : TERMINAL No. OPTIONAL ARRANGEMENT AMONG 1, 2, 3, 4, 5, 6, 7, 8, 9, 10 AND 11

*2 : TERMINAL No. OPTIONAL ARRANGEMENT AMONG 12, 13, 14, 15, 16, 17, 18, 19, 20, 21 AND 22

WI-40643

Airbag System

WIRING SYSTEM



- *1 : TERMINAL No. OPTIONAL ARRANGEMENT AMONG 1, 2, 3, 6, 7 AND 8
- *2 : TERMINAL No. OPTIONAL ARRANGEMENT AMONG 4, 5, 9, 10, 11 AND 12
- *3 : TERMINAL No. OPTIONAL ARRANGEMENT AMONG 1, 2, 3, 4, 5, 6, 7, 8, 9, 10 AND 11

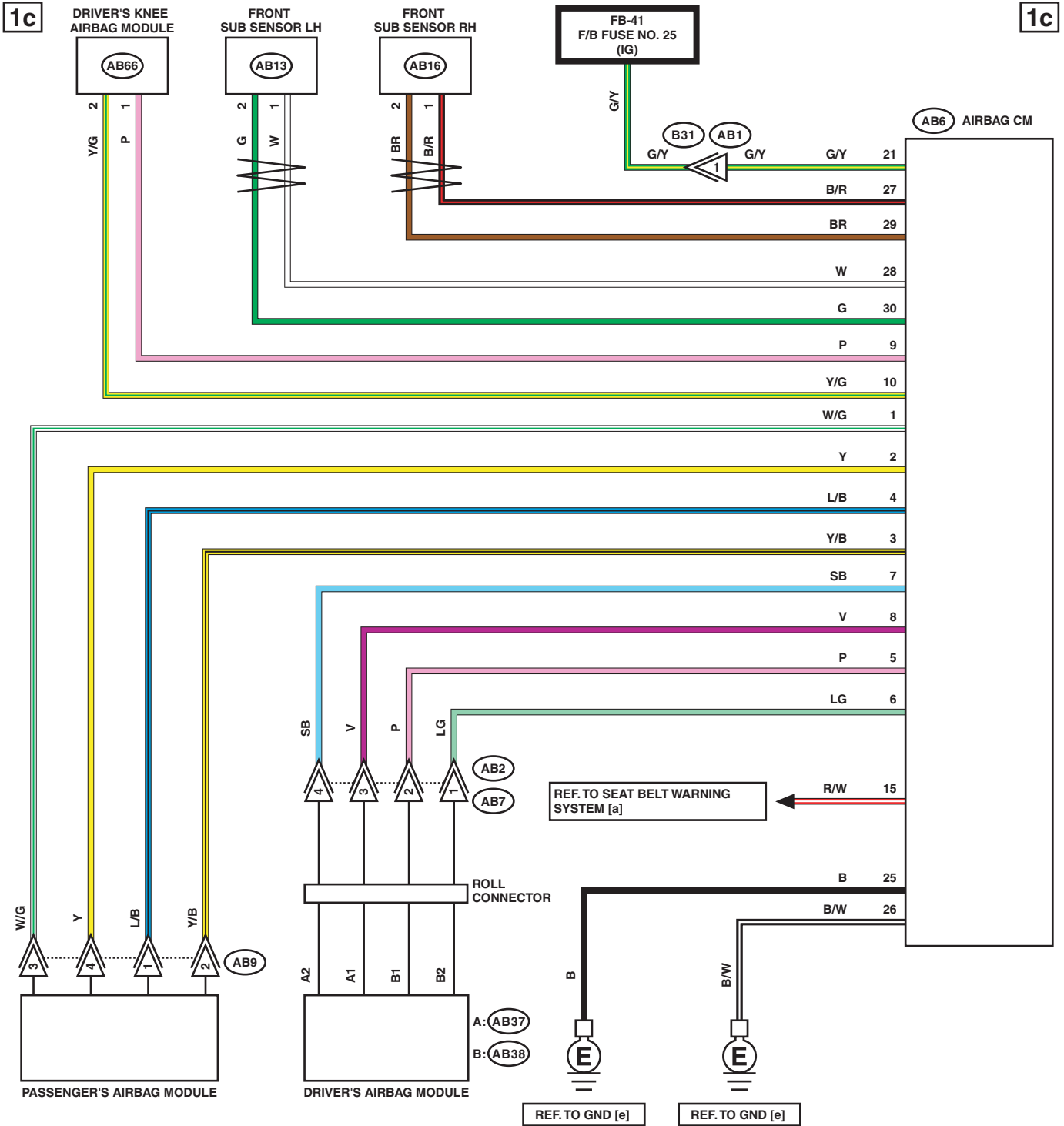
- *4 : TERMINAL No. OPTIONAL ARRANGEMENT AMONG 12, 13, 14, 15, 16, 17, 18, 19, 20, 21 AND 22

- *5 : TERMINAL No. OPTIONAL ARRANGEMENT

WI-40644

Airbag System

WIRING SYSTEM



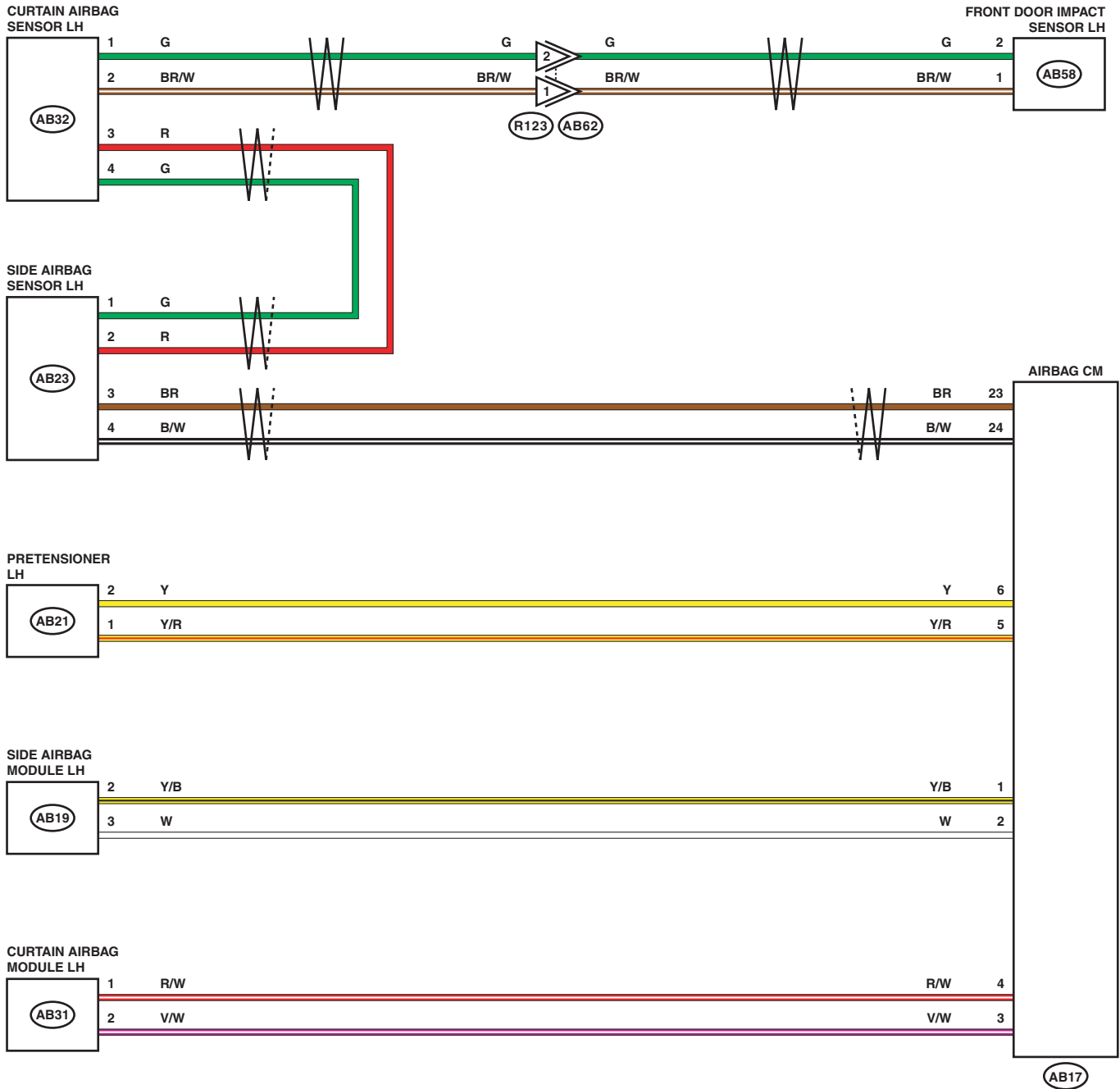
WI-40645

Airbag System

WIRING SYSTEM

1d

1d



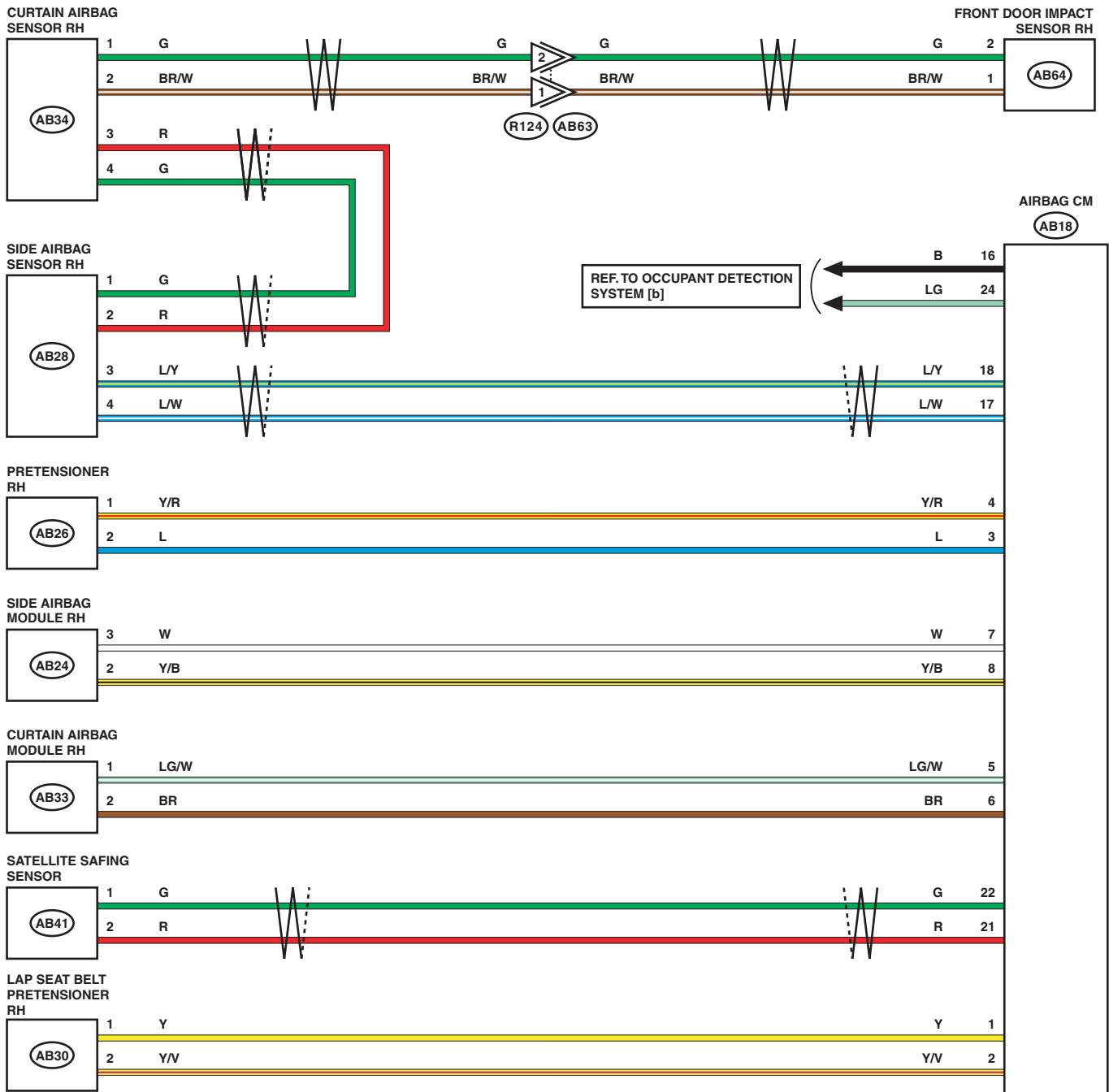
WI-40646

Airbag System

WIRING SYSTEM

1e

1e



WI-40647

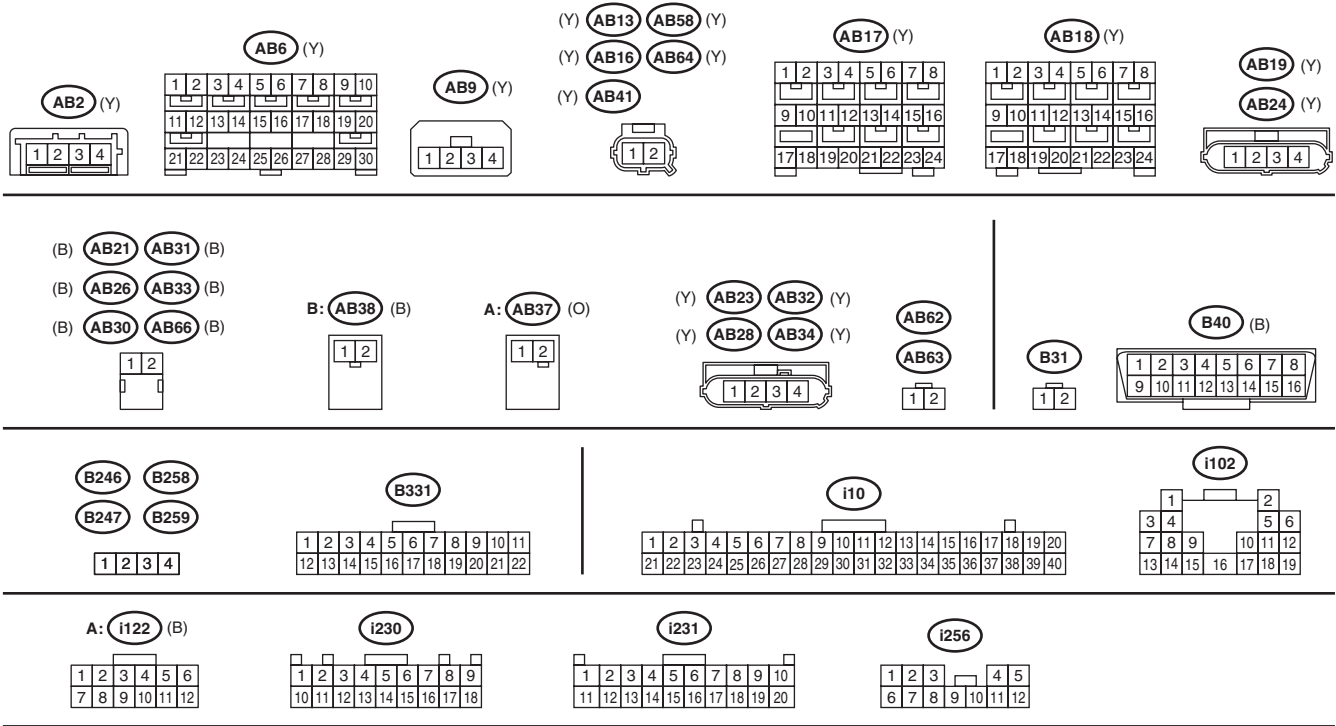
Airbag System

WIRING SYSTEM

1f

1f

LIST OF CONNECTORS



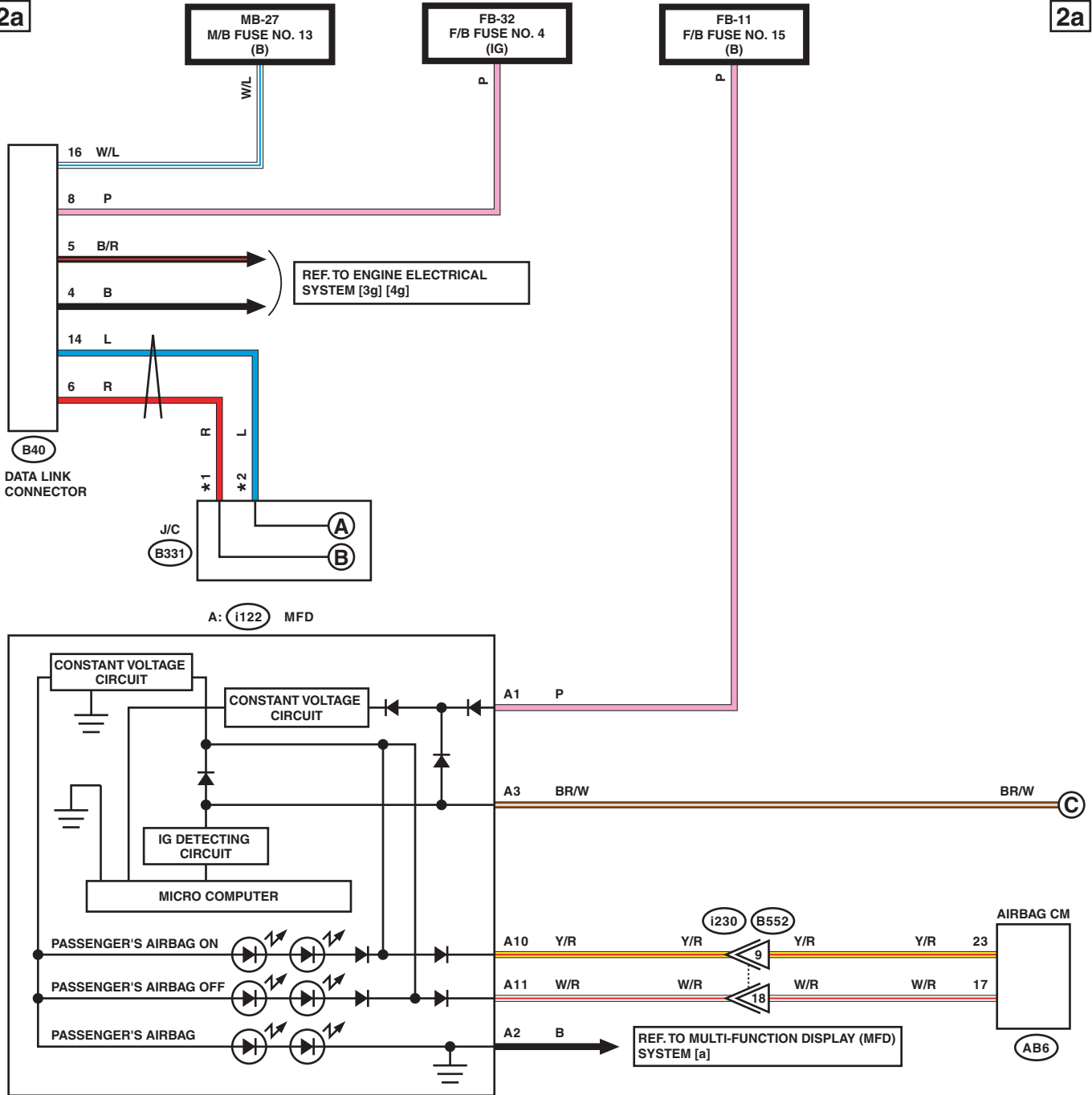
WI-40648

Airbag System

2. TURBO MODEL

2a

2a



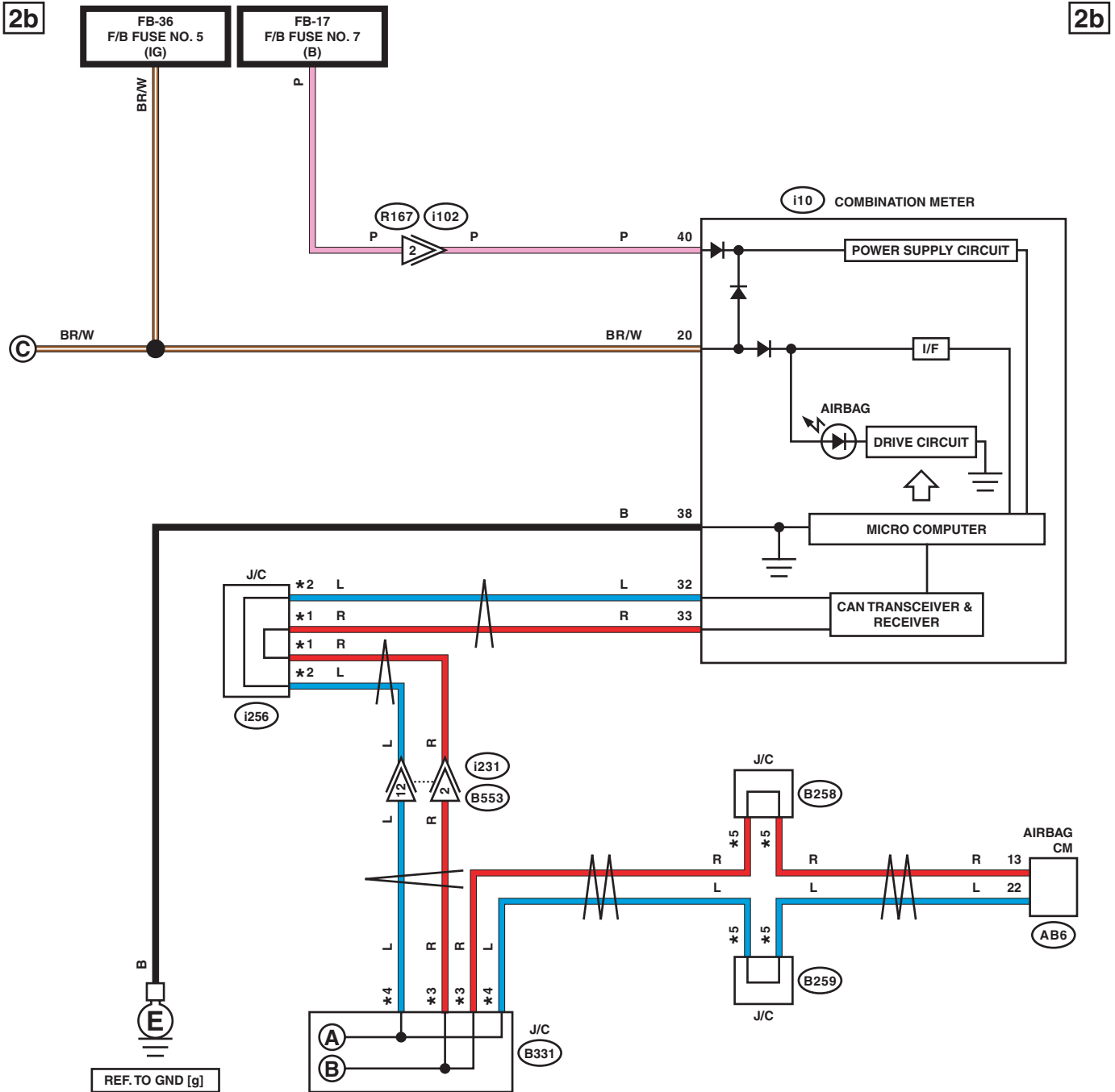
*1 : TERMINAL No. OPTIONAL ARRANGEMENT AMONG 1, 2, 3, 4, 5, 6, 7, 8, 9, 10 AND 11

*2 : TERMINAL No. OPTIONAL ARRANGEMENT AMONG 12, 13, 14, 15, 16, 17, 18, 19, 20, 21 AND 22

WI-40649

Airbag System

WIRING SYSTEM



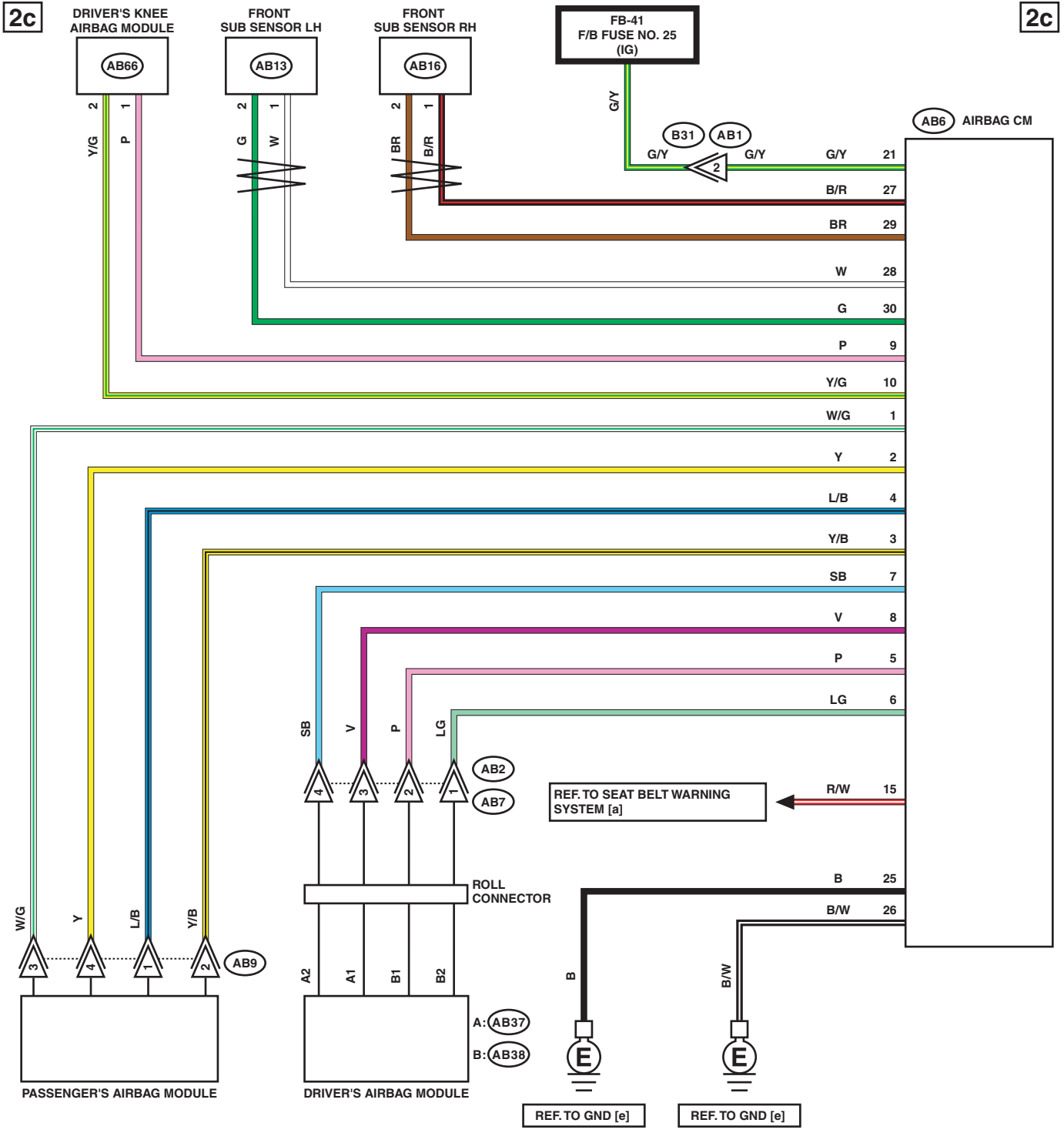
- *1 : TERMINAL No. OPTIONAL ARRANGEMENT AMONG 1, 2, 3, 6, 7 AND 8
- *2 : TERMINAL No. OPTIONAL ARRANGEMENT AMONG 4, 5, 9, 10, 11 AND 12
- *3 : TERMINAL No. OPTIONAL ARRANGEMENT AMONG 1, 2, 3, 4, 5, 6, 7, 8, 9, 10 AND 11

- *4 : TERMINAL No. OPTIONAL ARRANGEMENT AMONG 12, 13, 14, 15, 16, 17, 18, 19, 20, 21 AND 22
- *5 : TERMINAL No. OPTIONAL ARRANGEMENT

WI-40650

Airbag System

WIRING SYSTEM



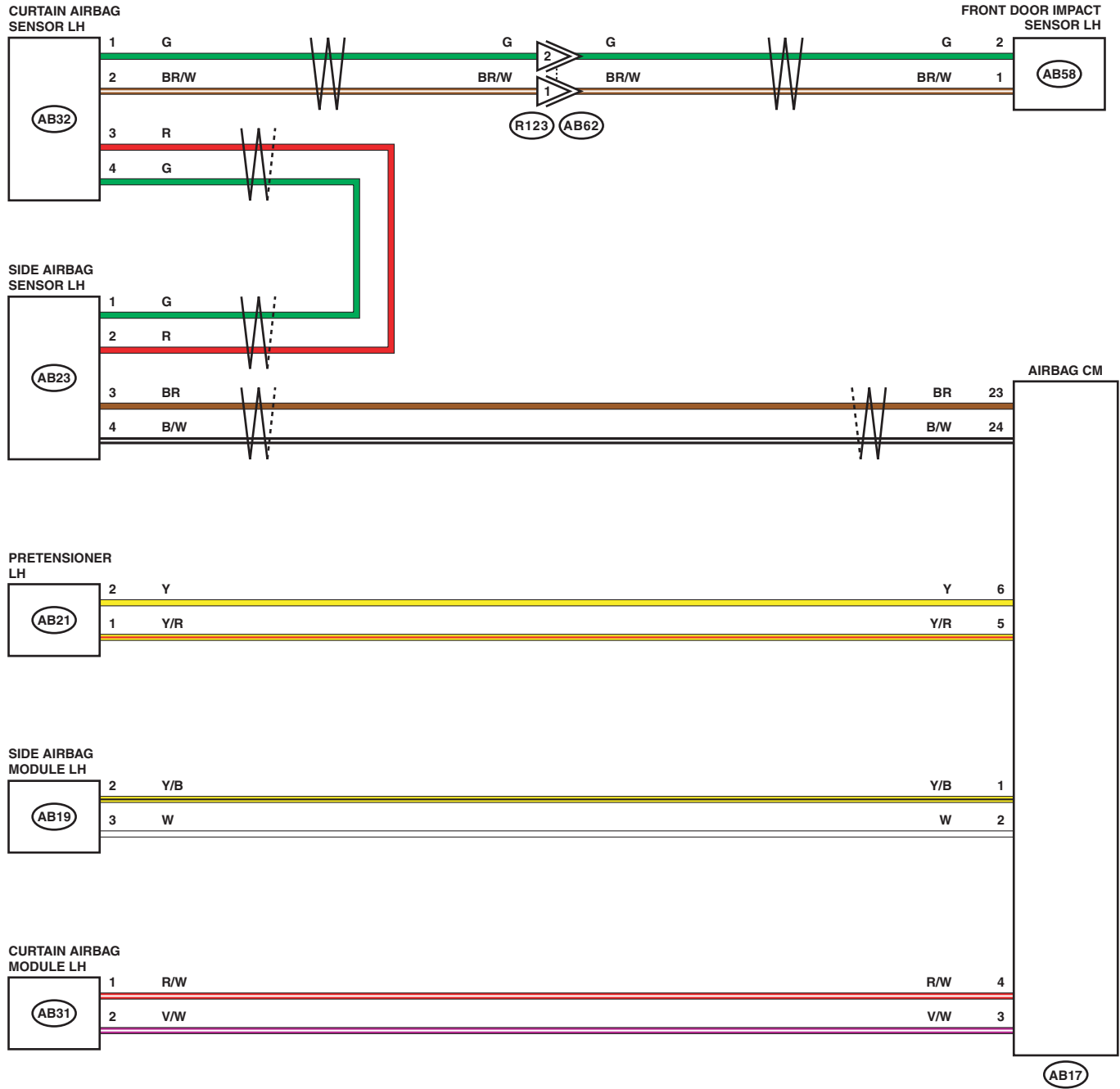
WI-40651

Airbag System

WIRING SYSTEM

2d

2d



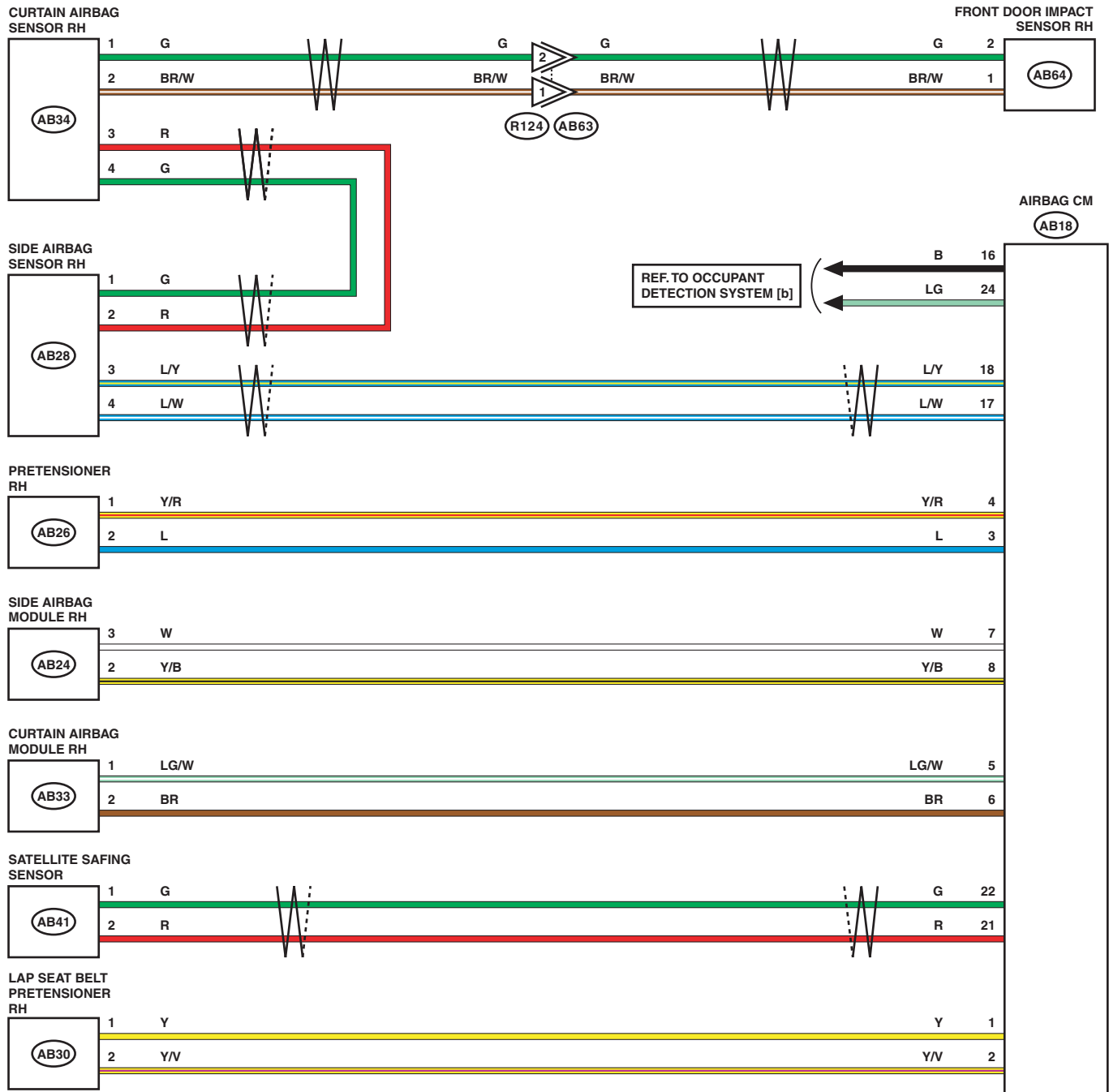
WI-40652

Airbag System

WIRING SYSTEM

2e

2e



WI-40653

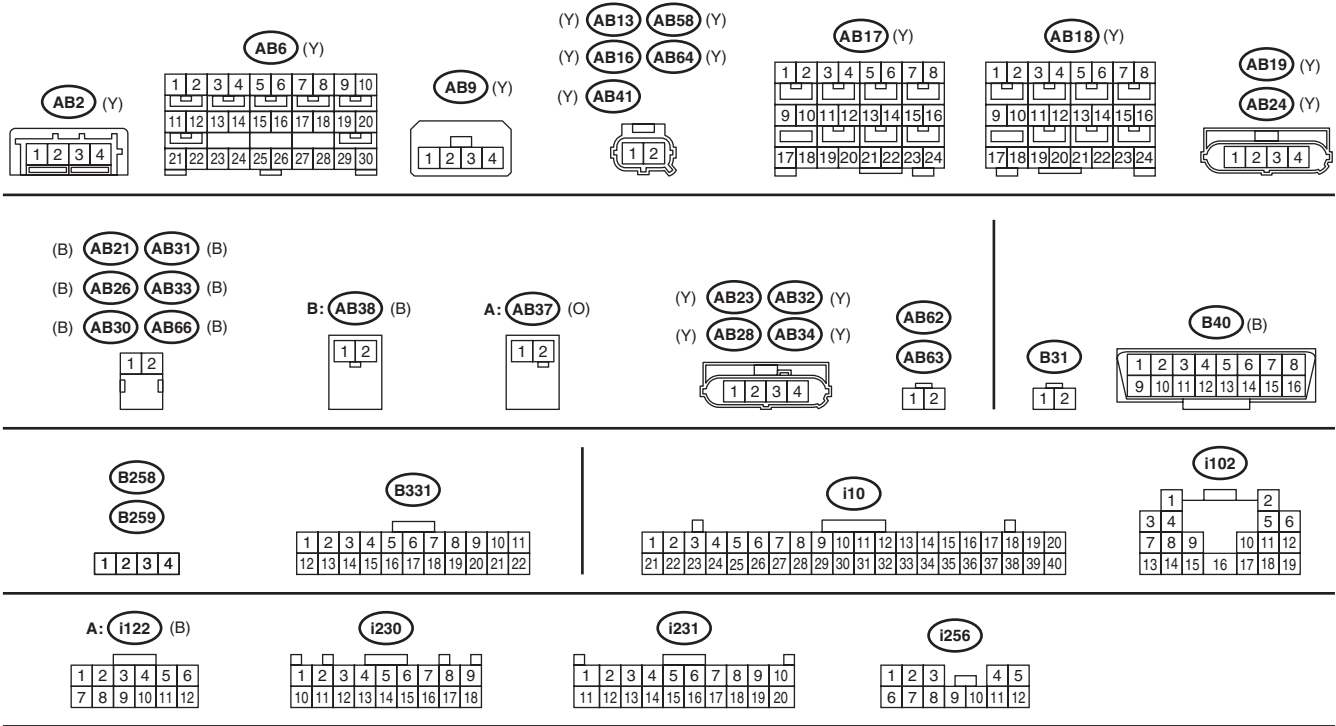
Airbag System

WIRING SYSTEM

2f

2f

LIST OF CONNECTORS



WI-40654