

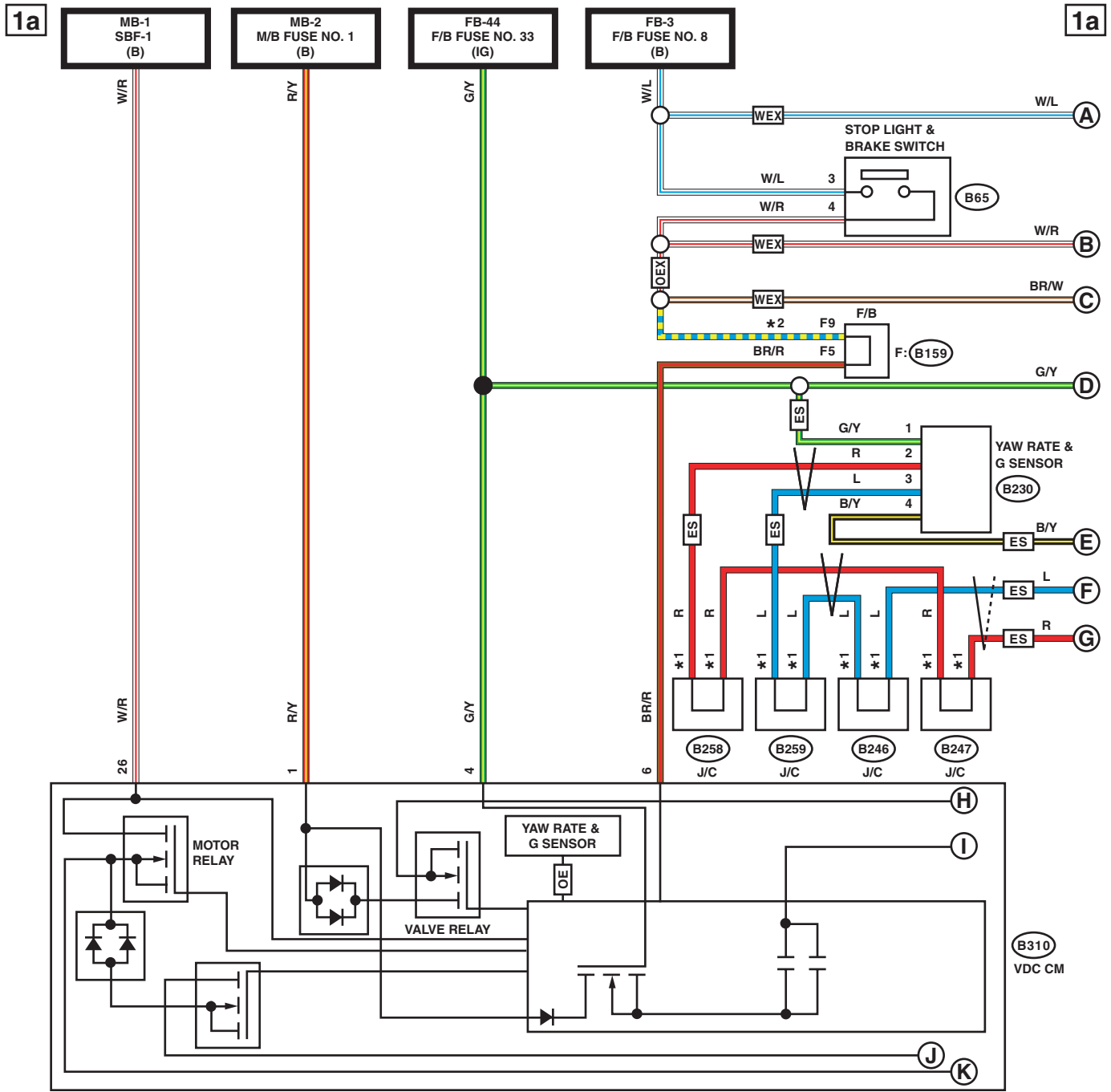
Vehicle Dynamics Control System

WIRING SYSTEM

60. Vehicle Dynamics Control System

A: WIRING DIAGRAM

1. NON-TURBO MODEL



OEX : EyeSight MODEL WITHOUT X MODE

WEX : EyeSight MODEL WITH X MODE

OE : WITHOUT EyeSight

ES : WITH EyeSight

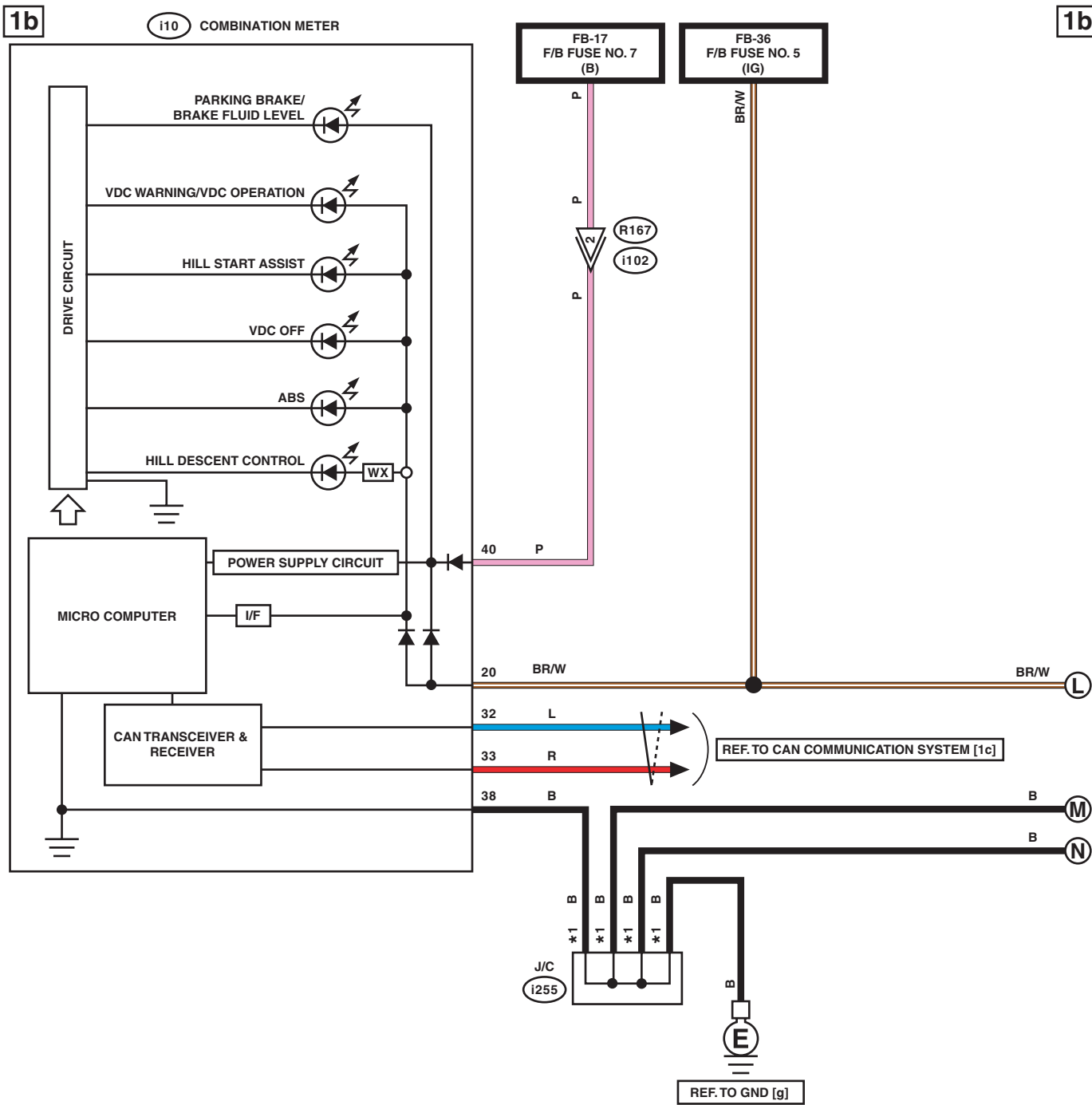
*1 : TERMINAL No. OPTIONAL ARRANGEMENT

*2 : EyeSight MODEL WITHOUT X MODE : W/R
EyeSight MODEL WITH X MODE : BR/W

WI-40981

Vehicle Dynamics Control System

WIRING SYSTEM



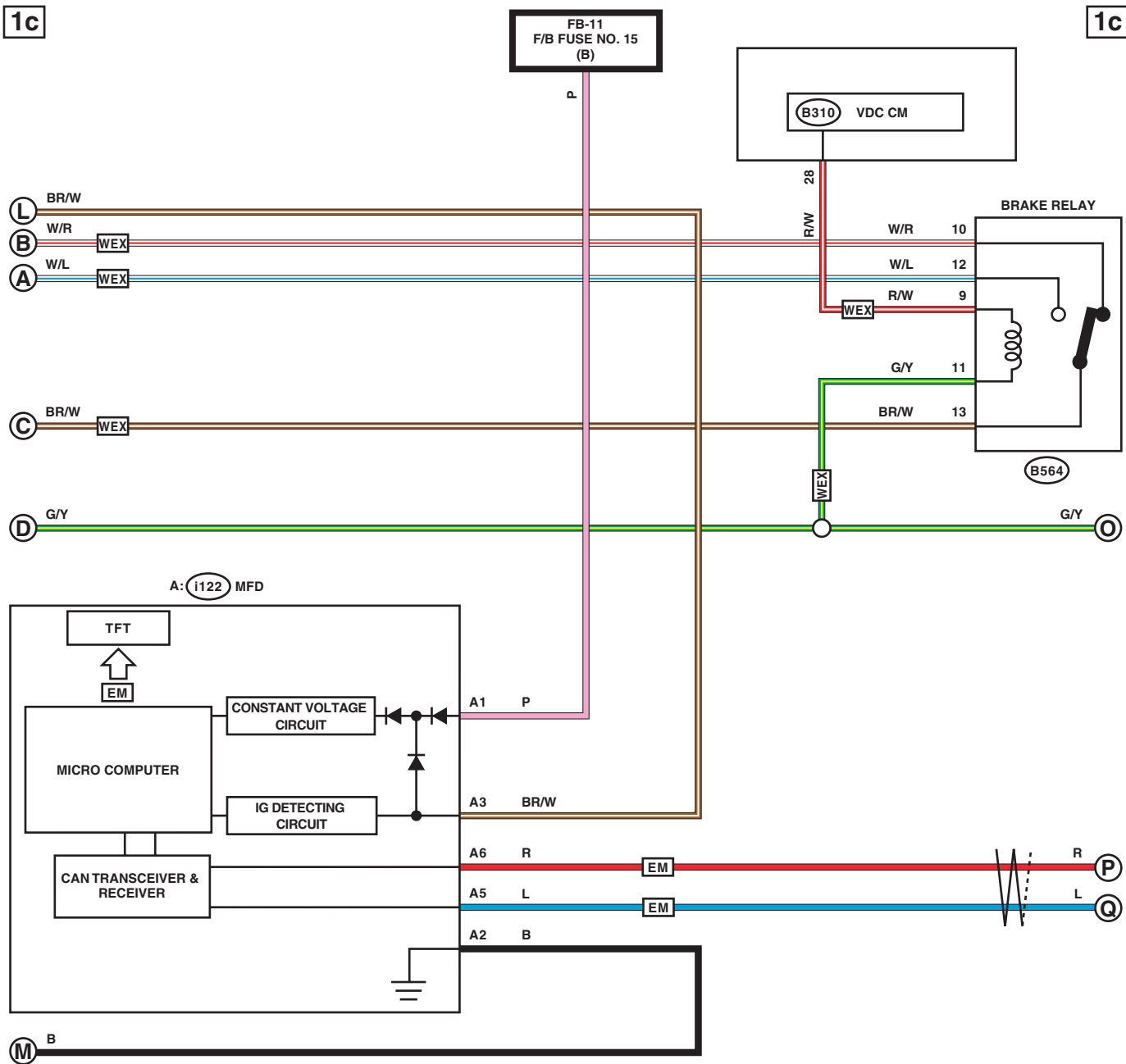
WX : WITH X MODE

*1 : TERMINAL No. OPTIONAL ARRANGEMENT

WI-40982

Vehicle Dynamics Control System

WIRING SYSTEM



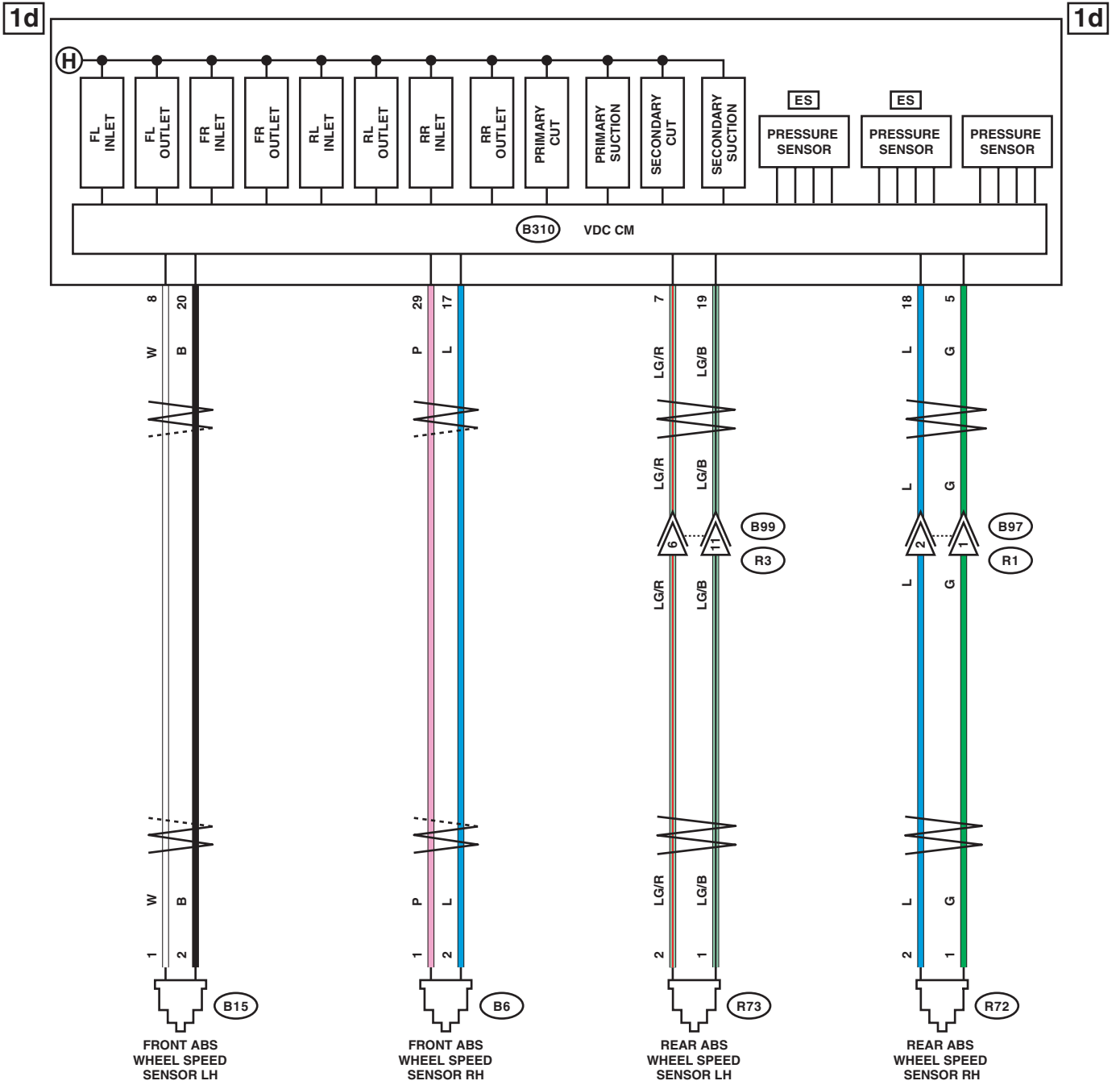
WEX : EyeSight MODEL WITH X MODE

EM : EXCEPT FOR STANDARD MFD

WI-40983

Vehicle Dynamics Control System

WIRING SYSTEM

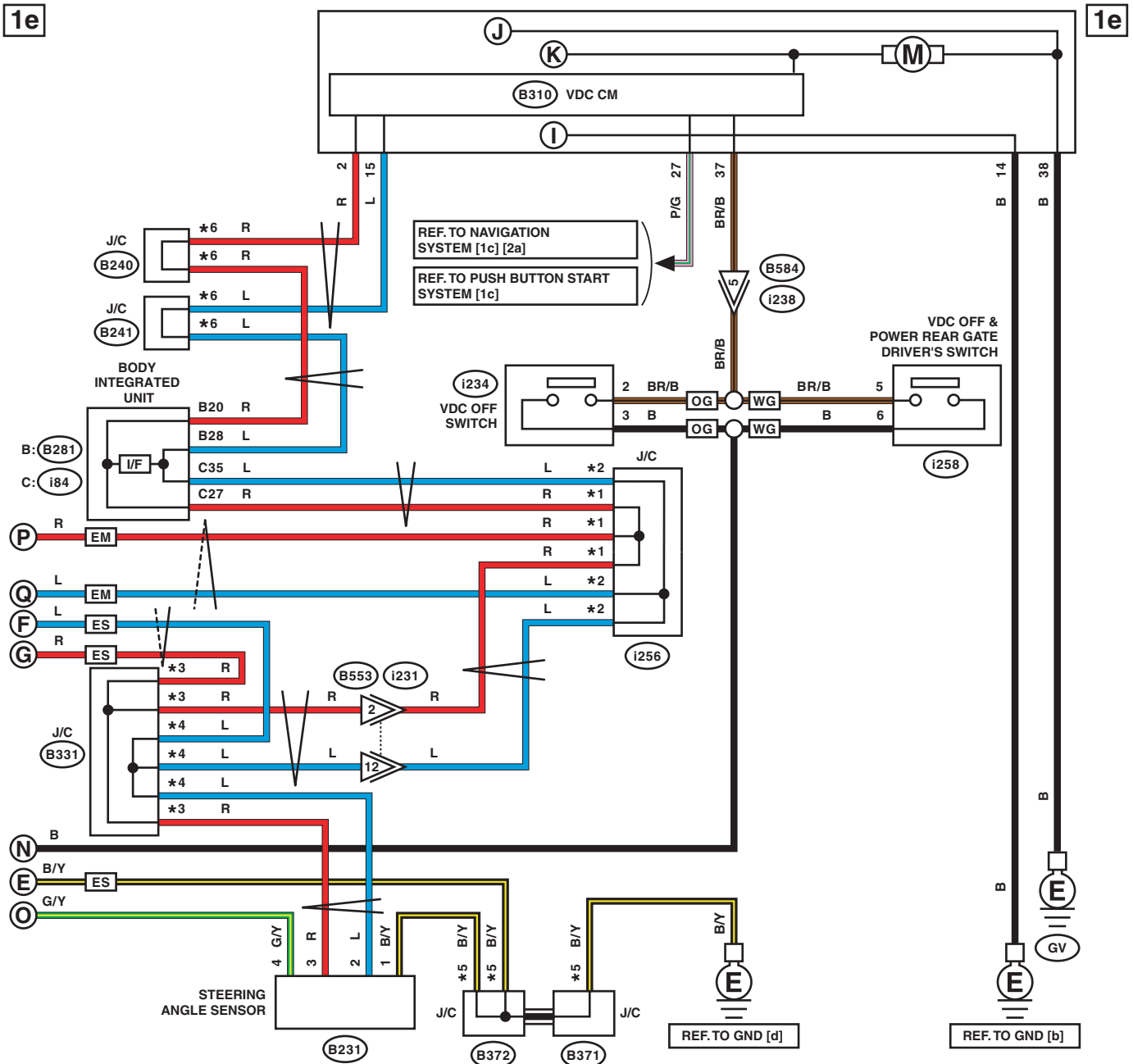


ES : WITH EyeSight

WI-40984

Vehicle Dynamics Control System

WIRING SYSTEM



- ES** : WITH EyeSight
- EM** : EXCEPT FOR STANDARD MFD
- OG** : WITHOUT POWER REAR GATE
- WG** : WITH POWER REAR GATE

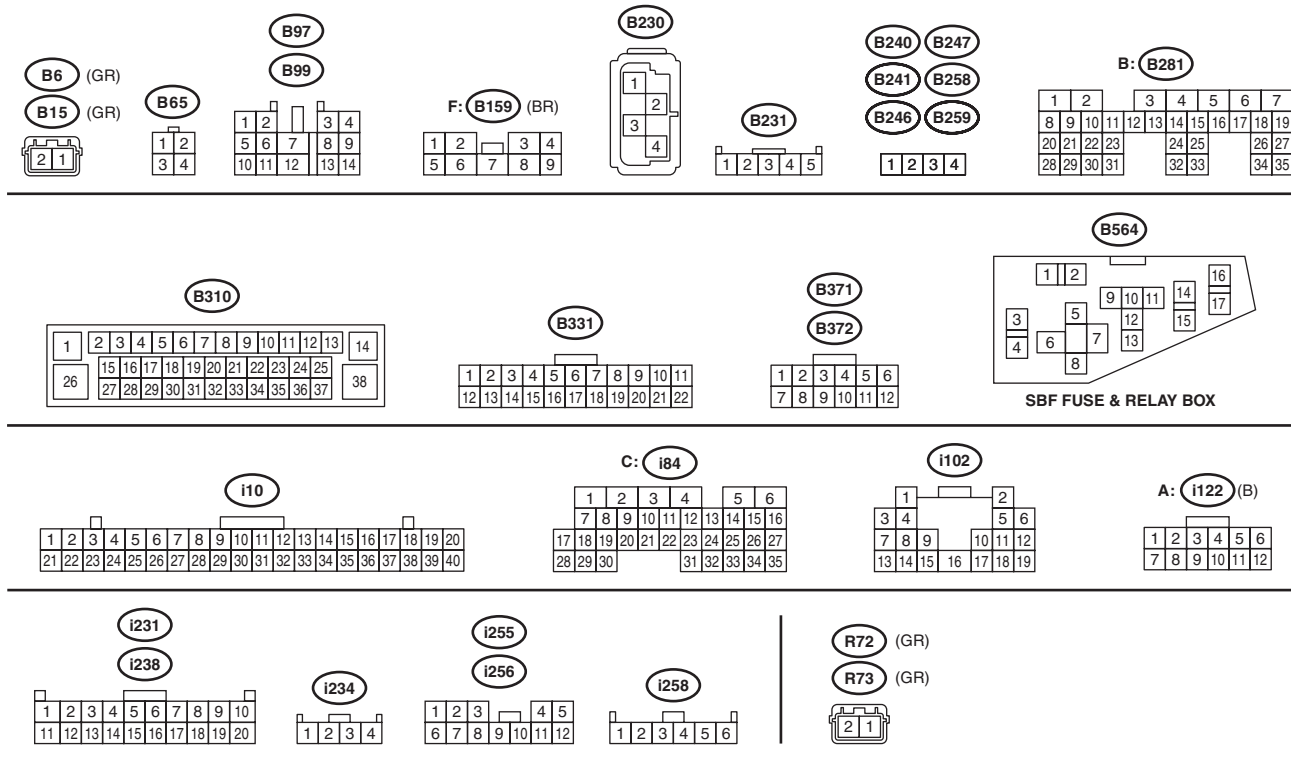
- *1 : TERMINAL No. OPTIONAL ARRANGEMENT AMONG 1, 2, 3, 6, 7 AND 8
- *2 : TERMINAL No. OPTIONAL ARRANGEMENT AMONG 4, 5, 9, 10, 11 AND 12
- *3 : TERMINAL No. OPTIONAL ARRANGEMENT AMONG 1, 2, 3, 4, 5, 6, 7, 8, 9, 10 AND 11
- *4 : TERMINAL No. OPTIONAL ARRANGEMENT AMONG 12, 13, 14, 15, 16, 17, 18, 19, 20, 21 AND 22
- *5 : TERMINAL No. OPTIONAL ARRANGEMENT AMONG 1, 2, 3, 4, 5 AND 6
- *6 : TERMINAL No. OPTIONAL ARRANGEMENT

WI-40985

1f

1f

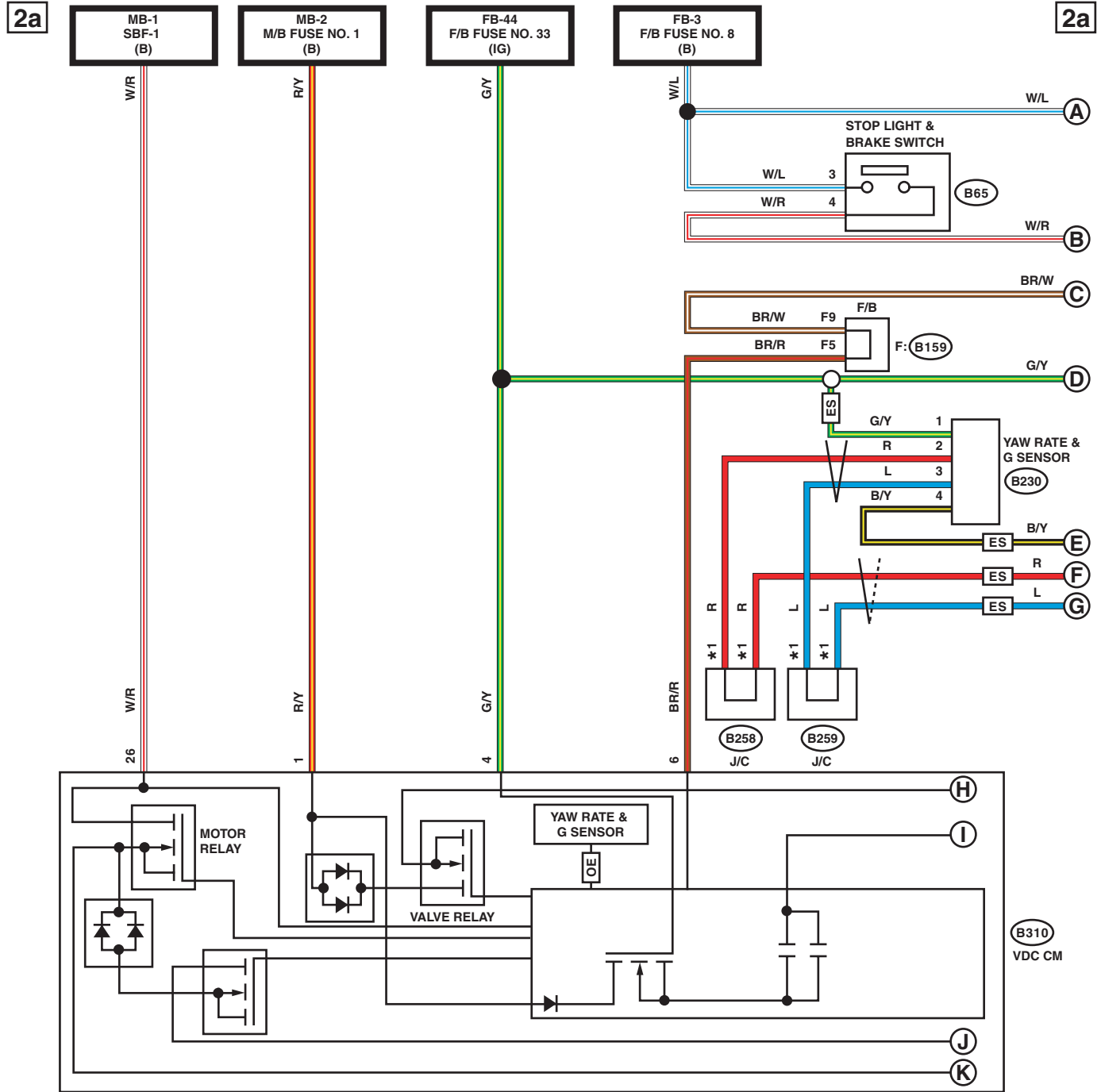
LIST OF CONNECTORS



Vehicle Dynamics Control System

WIRING SYSTEM

2. TURBO MODEL



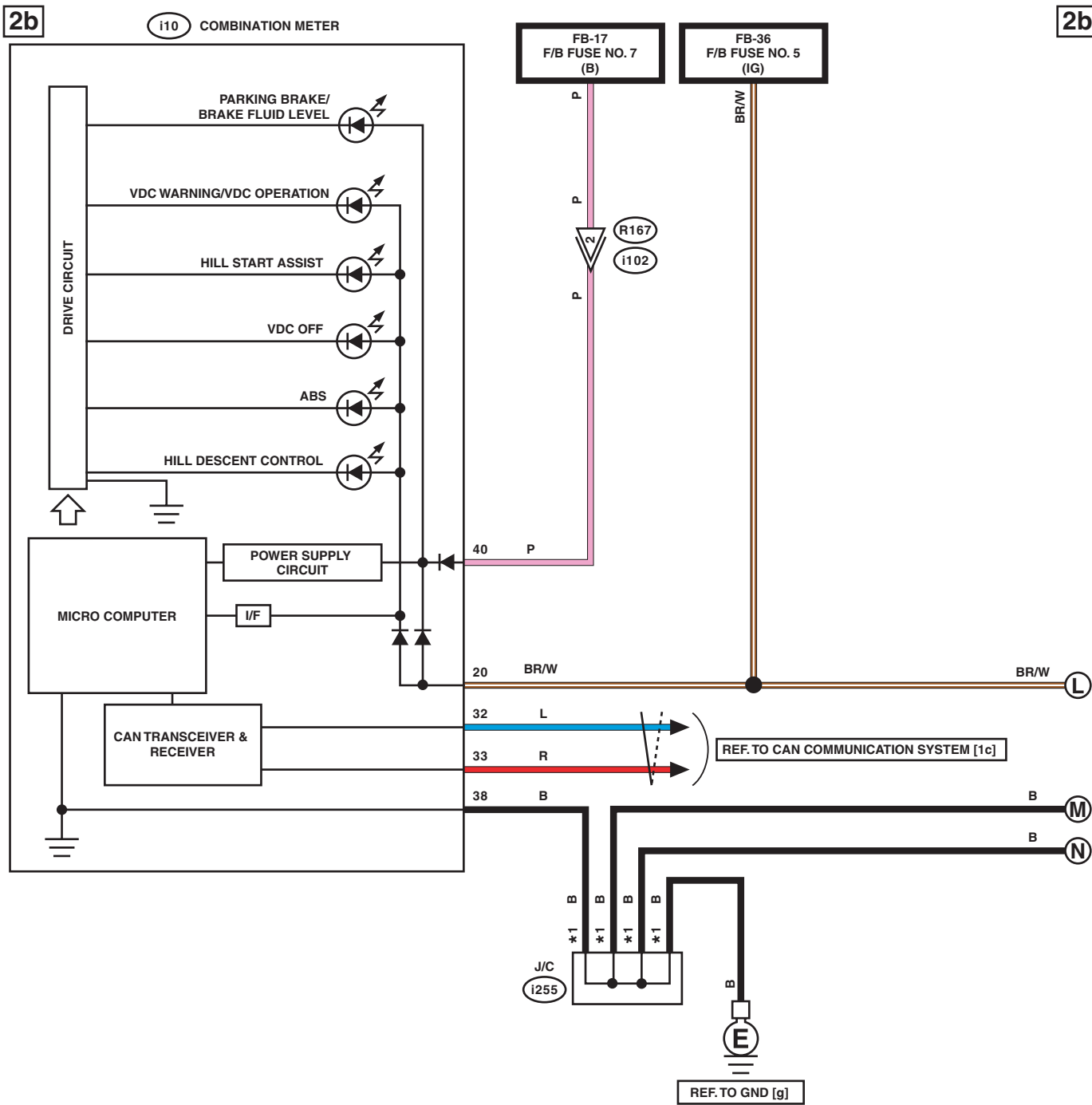
OE : WITHOUT EyeSight
 ES : WITH EyeSight

*1 : TERMINAL No. OPTIONAL ARRANGEMENT

WI-40987

Vehicle Dynamics Control System

WIRING SYSTEM

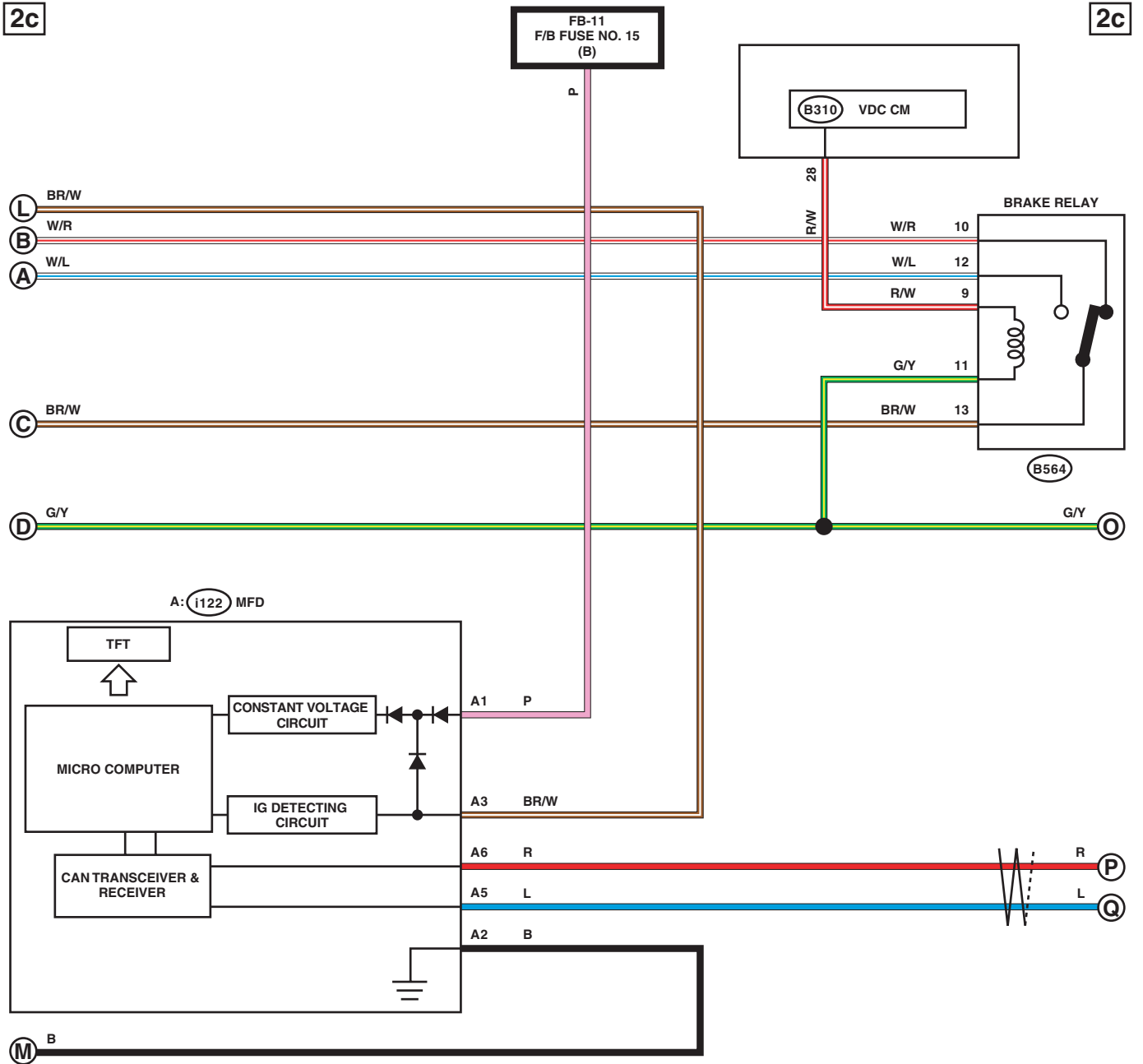


*1 : TERMINAL No. OPTIONAL ARRANGEMENT

WI-40988

Vehicle Dynamics Control System

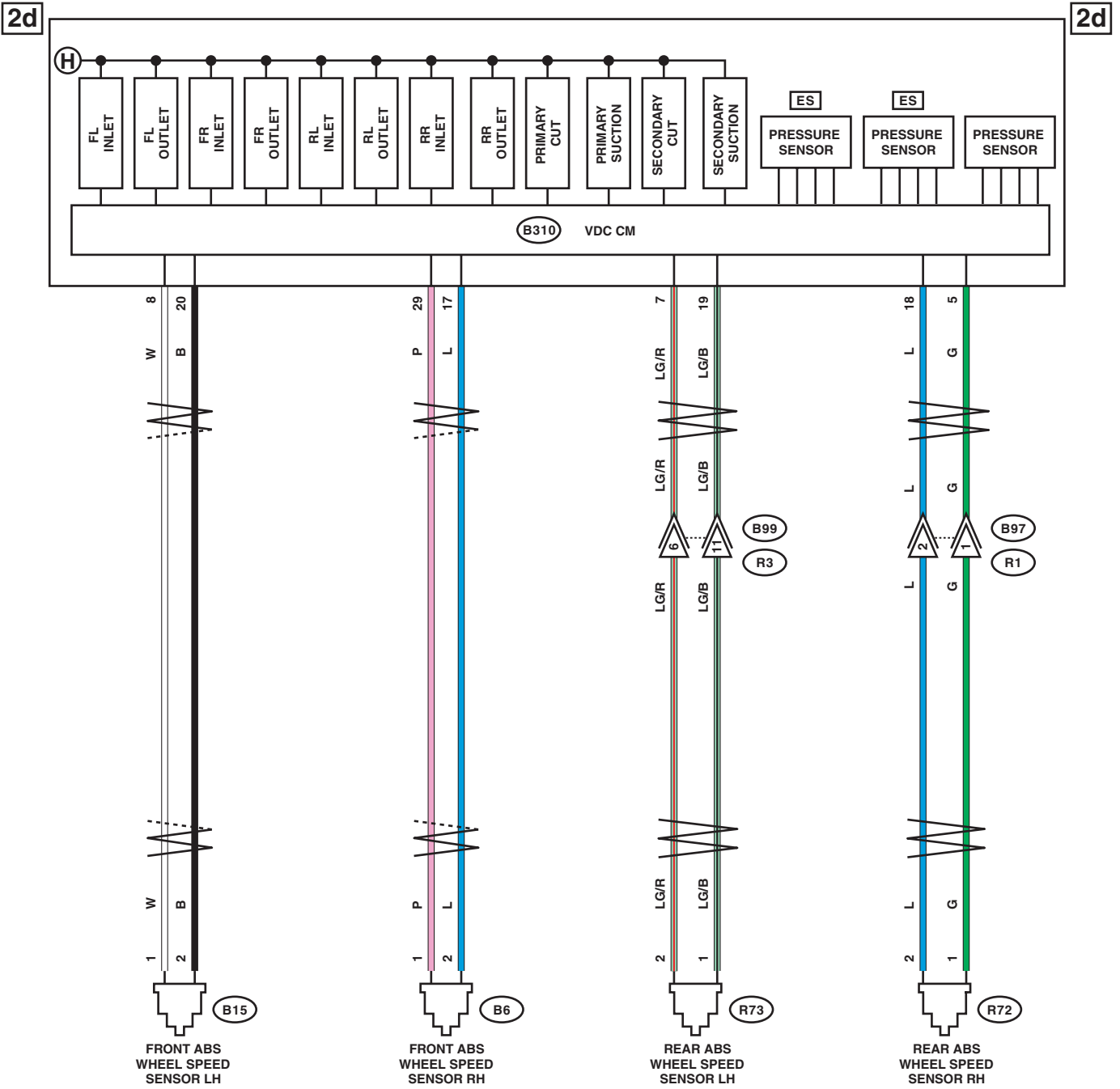
WIRING SYSTEM



WI-40989

Vehicle Dynamics Control System

WIRING SYSTEM

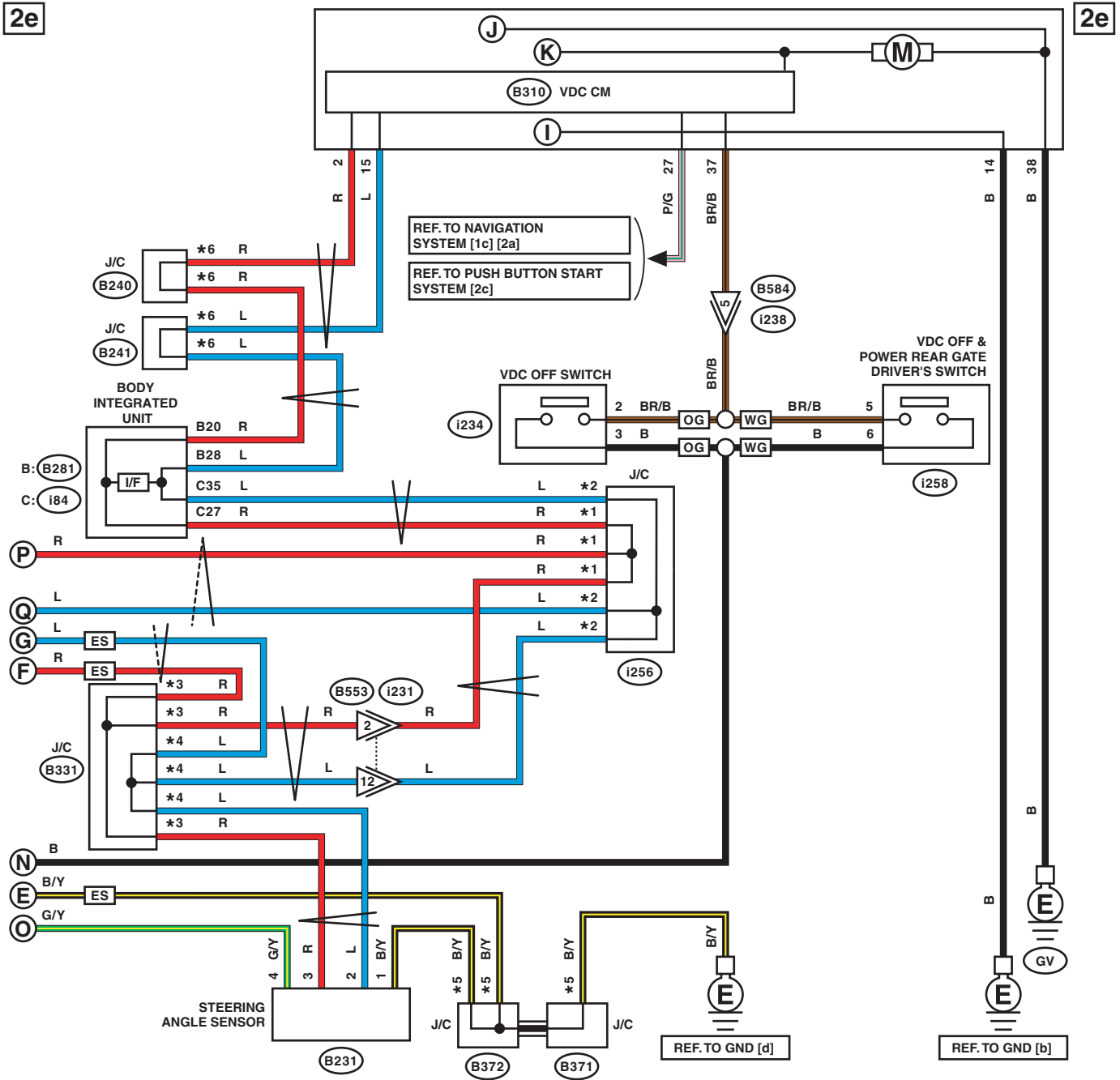


ES : WITH EyeSight

WI-40990

Vehicle Dynamics Control System

WIRING SYSTEM



- ES** : WITH EyeSight
- OG** : WITHOUT POWER REAR GATE
- WG** : WITH POWER REAR GATE
- *1** : TERMINAL No. OPTIONAL ARRANGEMENT AMONG 1, 2, 3, 6, 7 AND 8
- *2** : TERMINAL No. OPTIONAL ARRANGEMENT AMONG 4, 5, 9, 10, 11 AND 12
- *3** : TERMINAL No. OPTIONAL ARRANGEMENT AMONG 1, 2, 3, 4, 5, 6, 7, 8, 9, 10 AND 11
- *4** : TERMINAL No. OPTIONAL ARRANGEMENT AMONG 12, 13, 14, 15, 16, 17, 18, 19, 20, 21 AND 22
- *5** : TERMINAL No. OPTIONAL ARRANGEMENT AMONG 1, 2, 3, 4, 5 AND 6
- *6** : TERMINAL No. OPTIONAL ARRANGEMENT

WI-40991

2f

2f

LIST OF CONNECTORS

