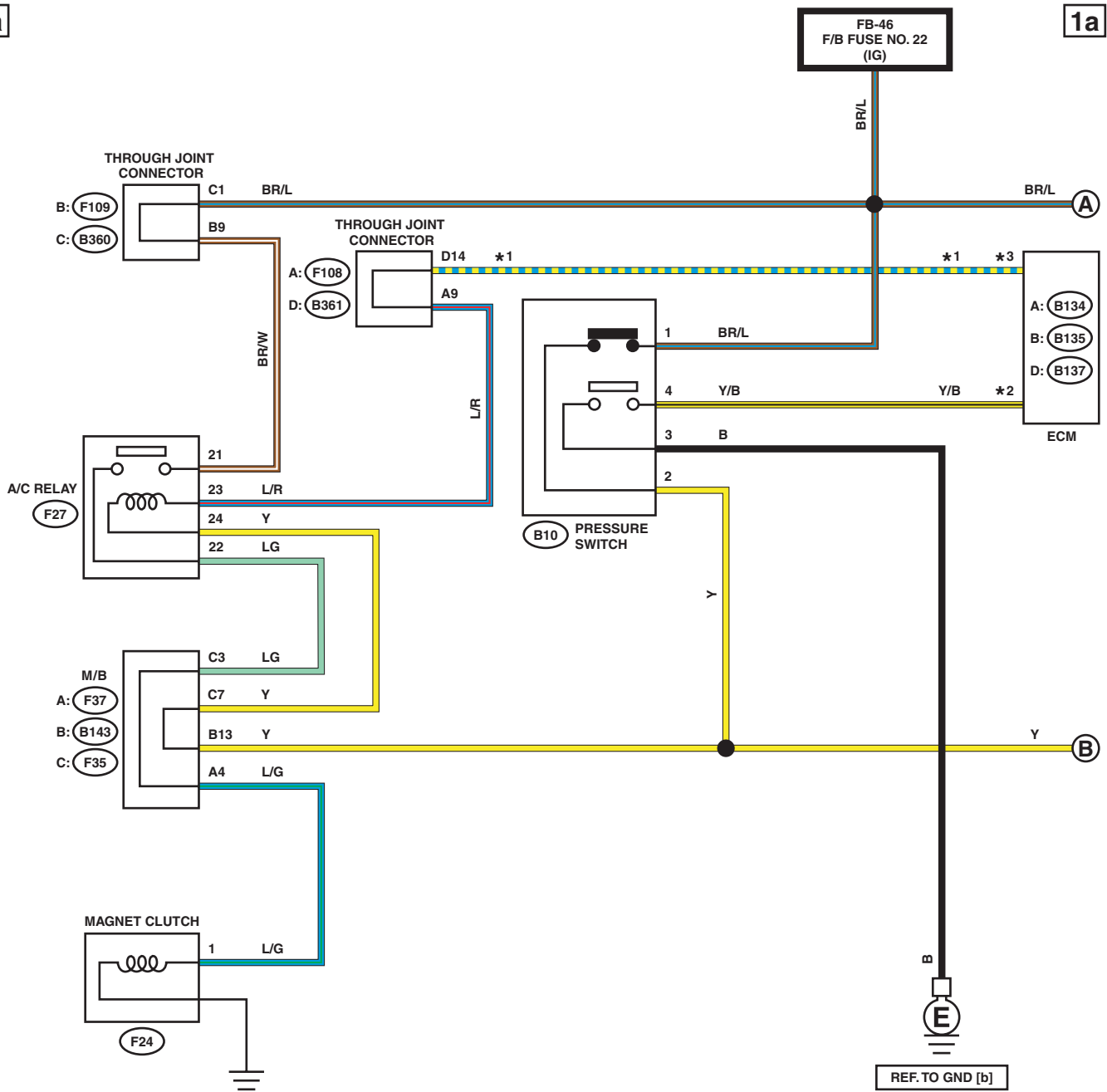


## 7. Air Conditioning System

### A: WIRING DIAGRAM

#### 1. MANUAL A/C

1a



1a

\*1 : NON-TURBO MODEL : L/R  
TURBO MODEL : R/G

\*3 : NON-TURBO MODEL : B35  
TURBO MODEL : A1

\*2 : NON-TURBO MODEL : D8  
TURBO MODEL : A7

WI-40655

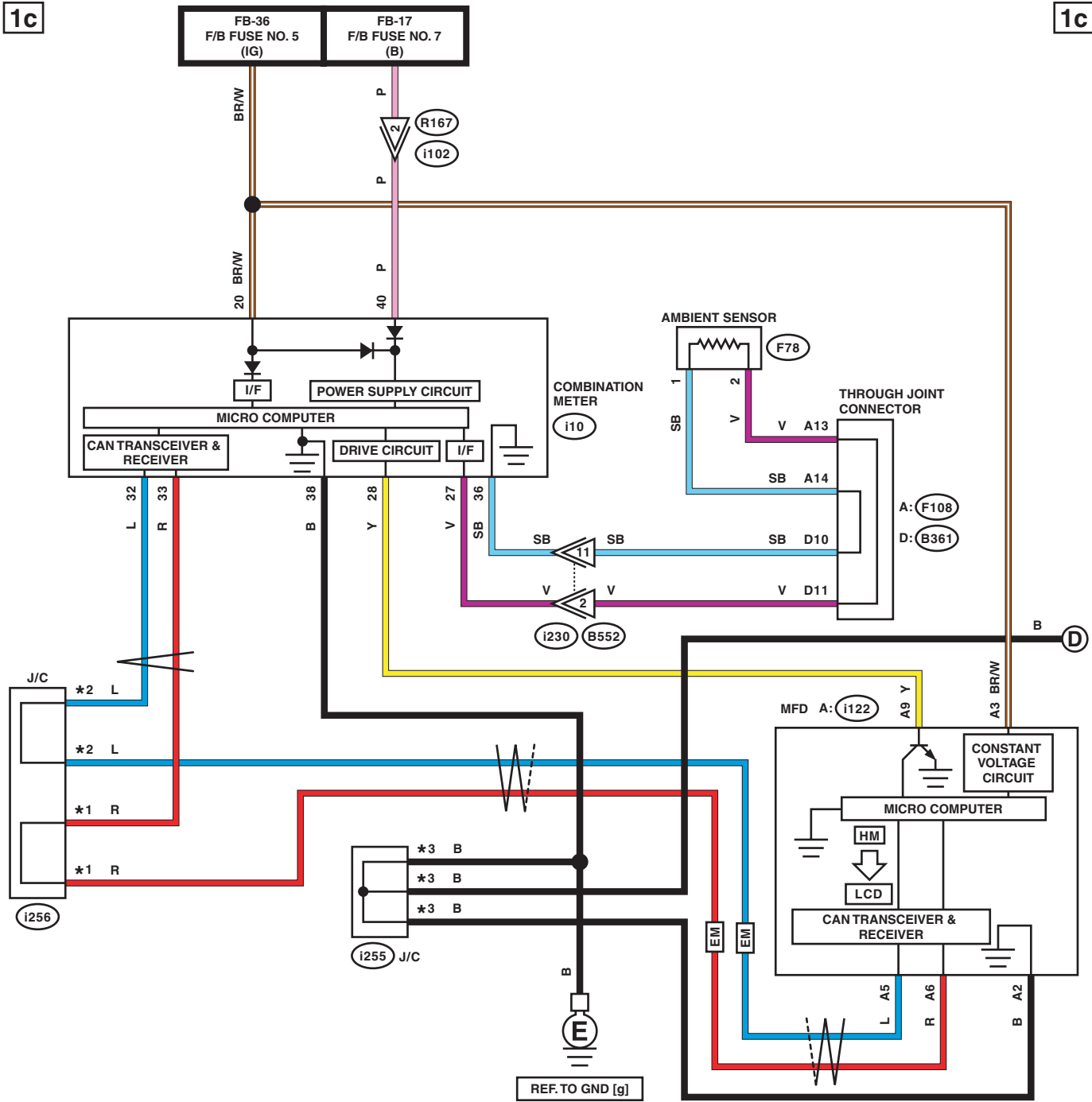


# Air Conditioning System

WIRING SYSTEM

1c

1c



**EM** : EXCEPT FOR STANDARD MFD  
**HM** : HIGH GRADE MFD

\*1 : TERMINAL No. OPTIONAL ARRANGEMENT AMONG 1, 2, 3, 6, 7 AND 8  
 \*2 : TERMINAL No. OPTIONAL ARRANGEMENT AMONG 4, 5, 9, 10, 11 AND 12  
 \*3 : TERMINAL No. OPTIONAL ARRANGEMENT

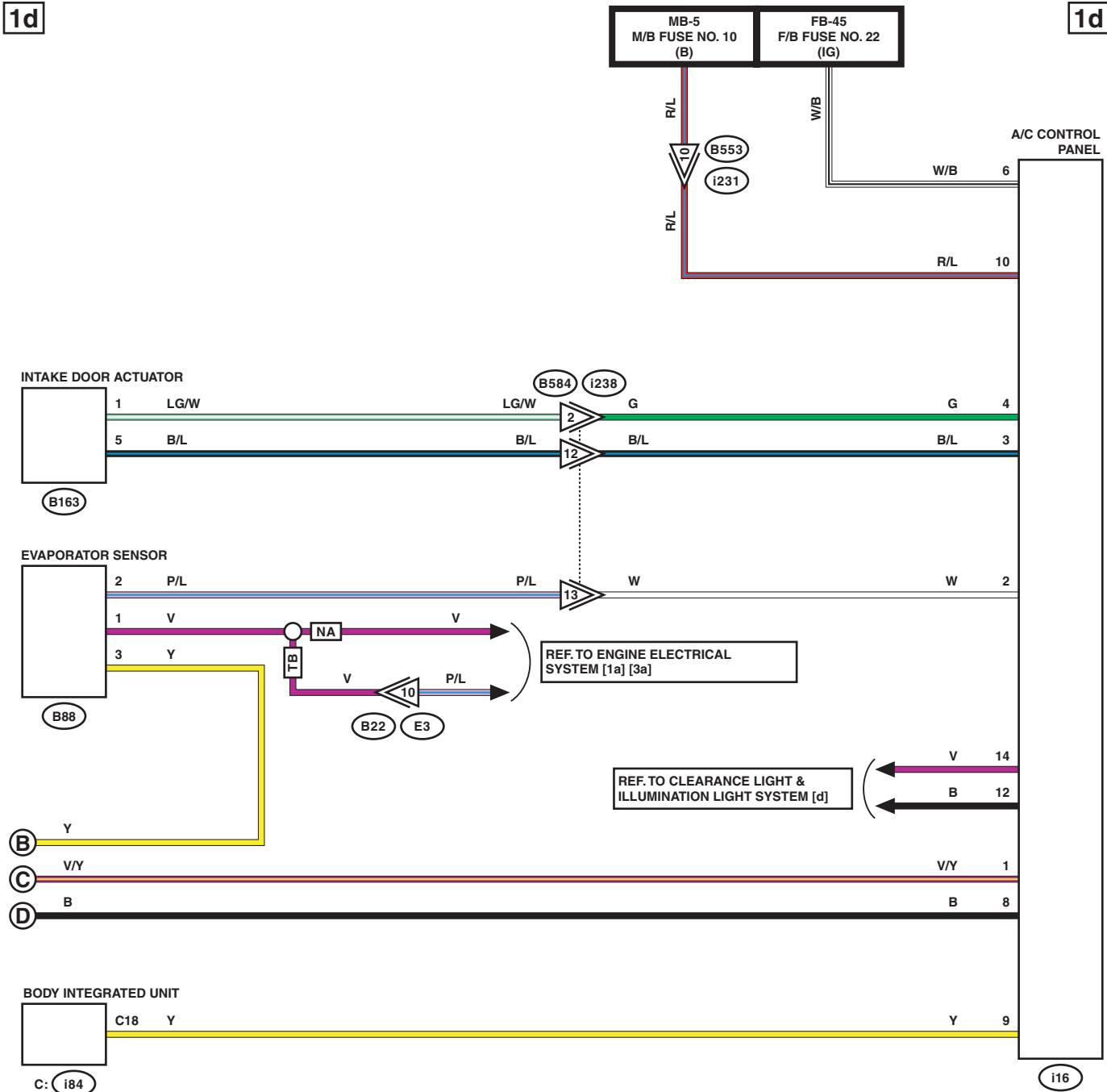
WI-40657

# Air Conditioning System

## WIRING SYSTEM

1d

1d



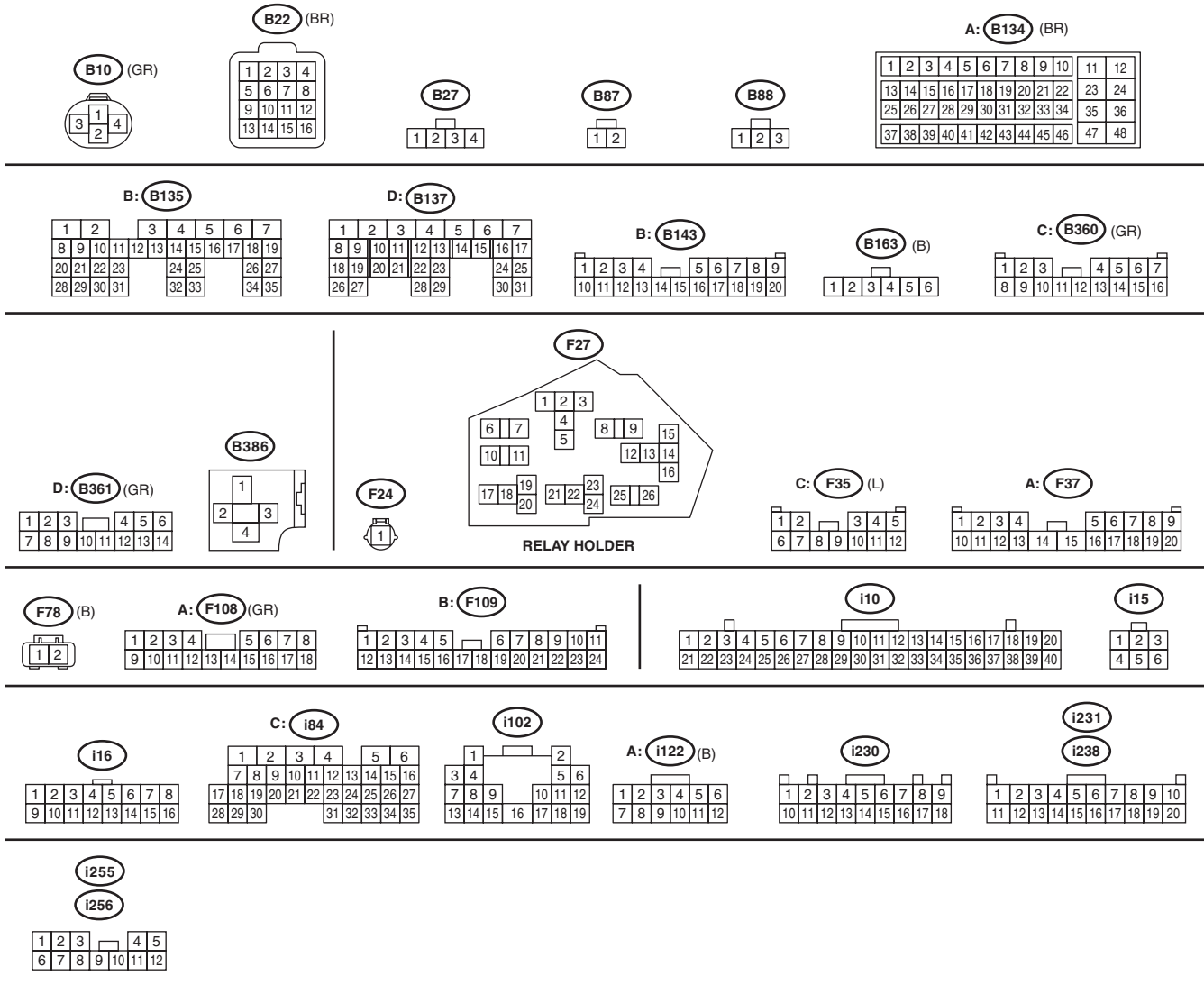
NA : NON-TURBO MODEL  
 TB : TURBO MODEL

WI-40658

1e

1e

## LIST OF CONNECTORS



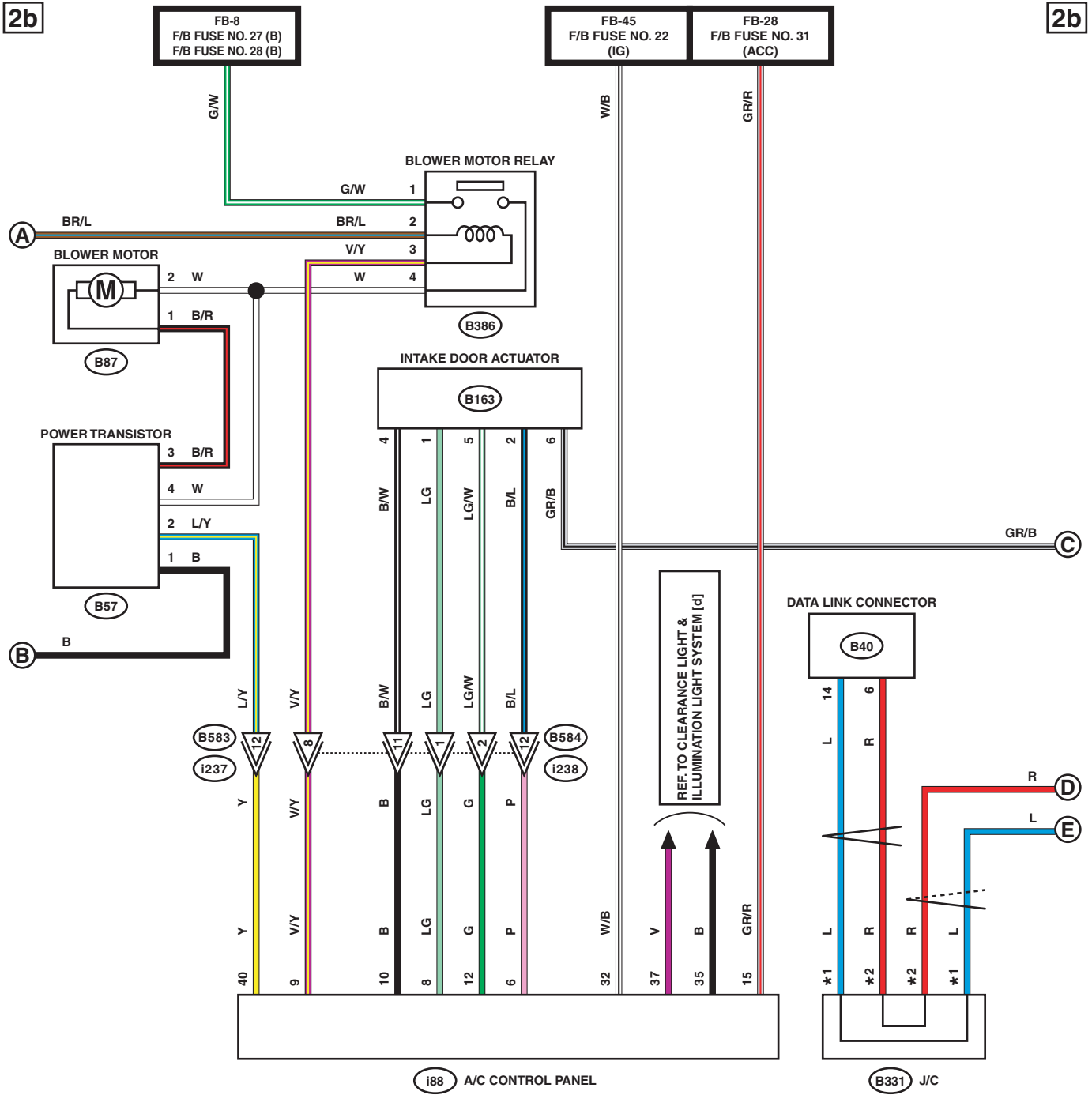


# Air Conditioning System

WIRING SYSTEM

2b

2b



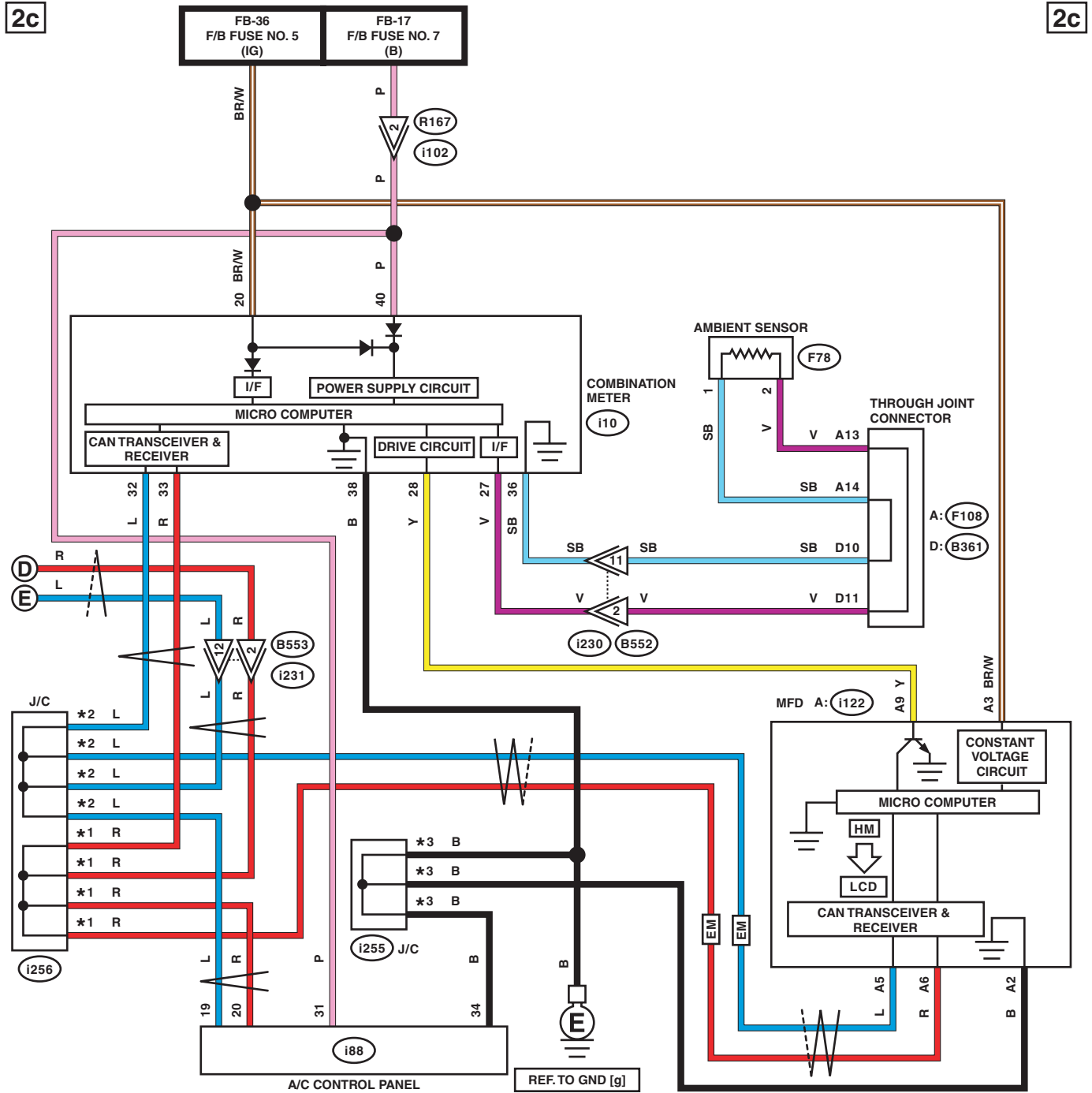
\*1 : TERMINAL No. OPTIONAL ARRANGEMENT AMONG 12, 13, 14, 15, 16, 17, 18, 19, 20, 21 AND 22

\*2 : TERMINAL No. OPTIONAL ARRANGEMENT AMONG 1, 2, 3, 4, 5, 6, 7, 8, 9, 10 AND 11

WI-40661

# Air Conditioning System

## WIRING SYSTEM



EM : EXCEPT FOR STANDARD MFD  
 HM : HIGH GRADE MFD

\*1 : TERMINAL No. OPTIONAL ARRANGEMENT AMONG 1, 2, 3, 6, 7 AND 8  
 \*2 : TERMINAL No. OPTIONAL ARRANGEMENT AMONG 4, 5, 9, 10, 11 AND 12  
 \*3 : TERMINAL No. OPTIONAL ARRANGEMENT

WI-40662

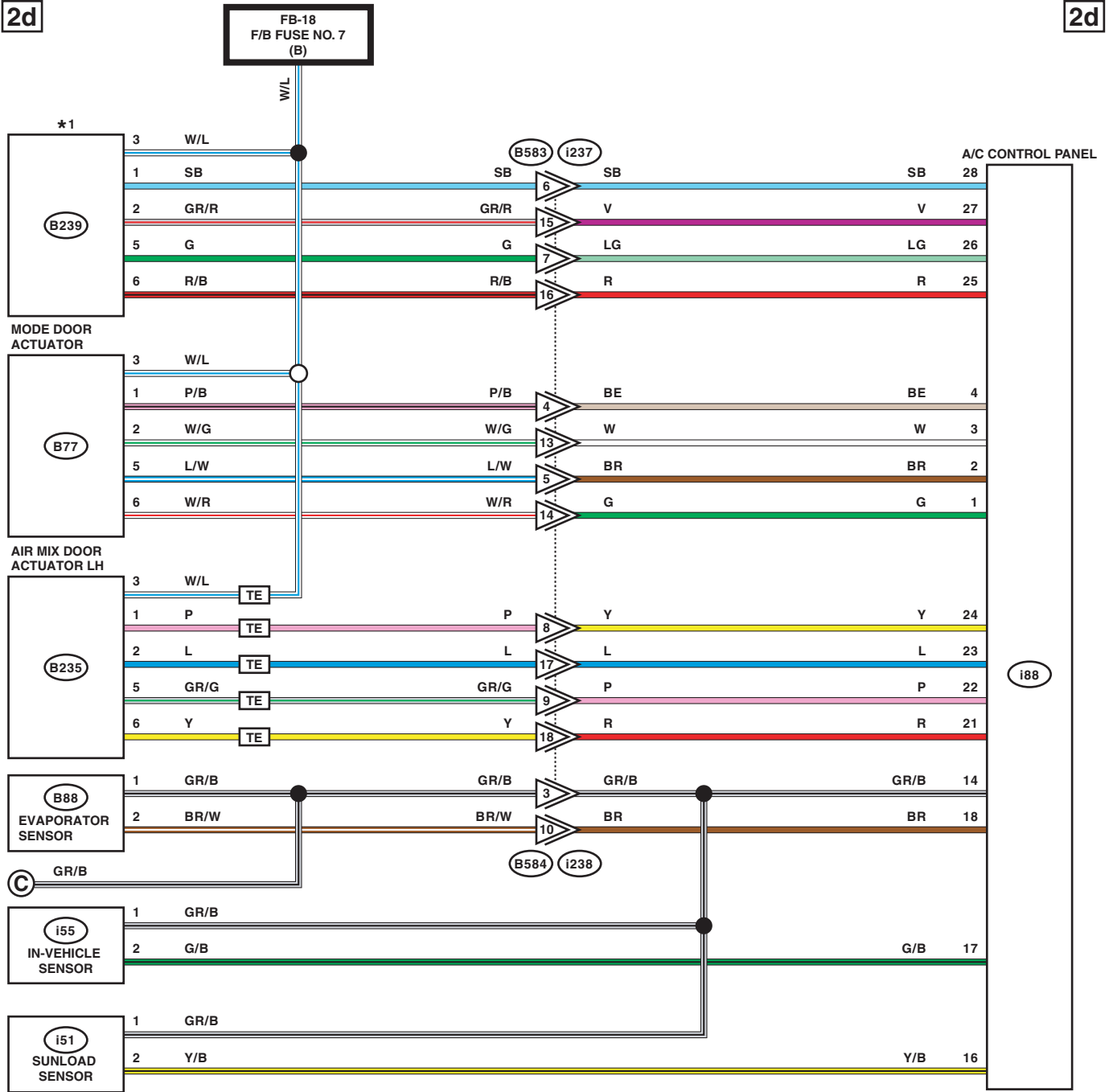


# Air Conditioning System

WIRING SYSTEM

2d

2d



**TE** : WITH L/R INDEPENDENT AIR CONDITIONER

\*1 : WITHOUT L/R INDEPENDENT AIR CONDITIONER : AIR MIX DOOR ACTUATOR  
 WITH L/R INDEPENDENT AIR CONDITIONER : AIR MIX DOOR ACTUATOR RH

WI-40663

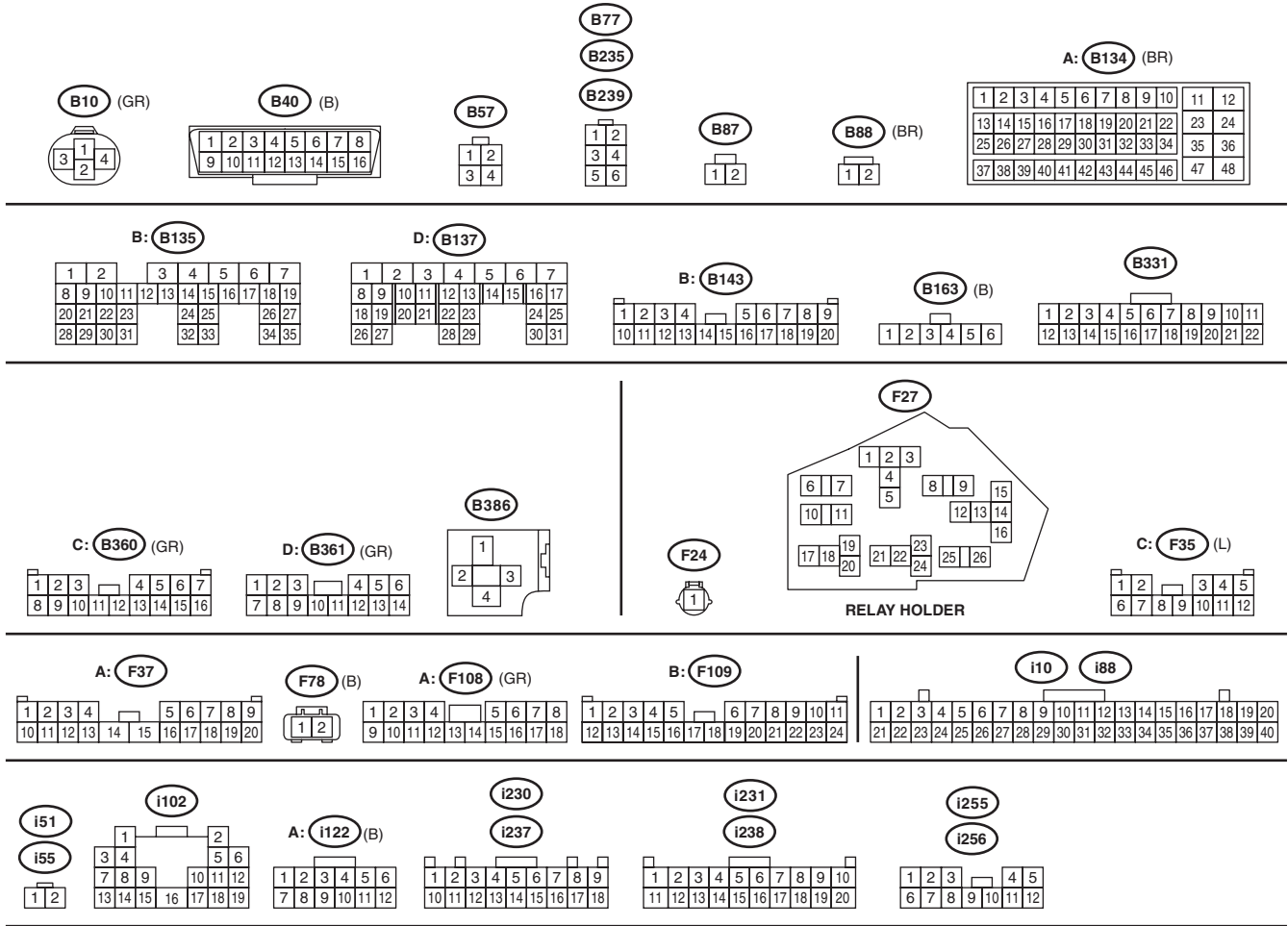
# Air Conditioning System

WIRING SYSTEM

2e

2e

## LIST OF CONNECTORS



WI-40664