

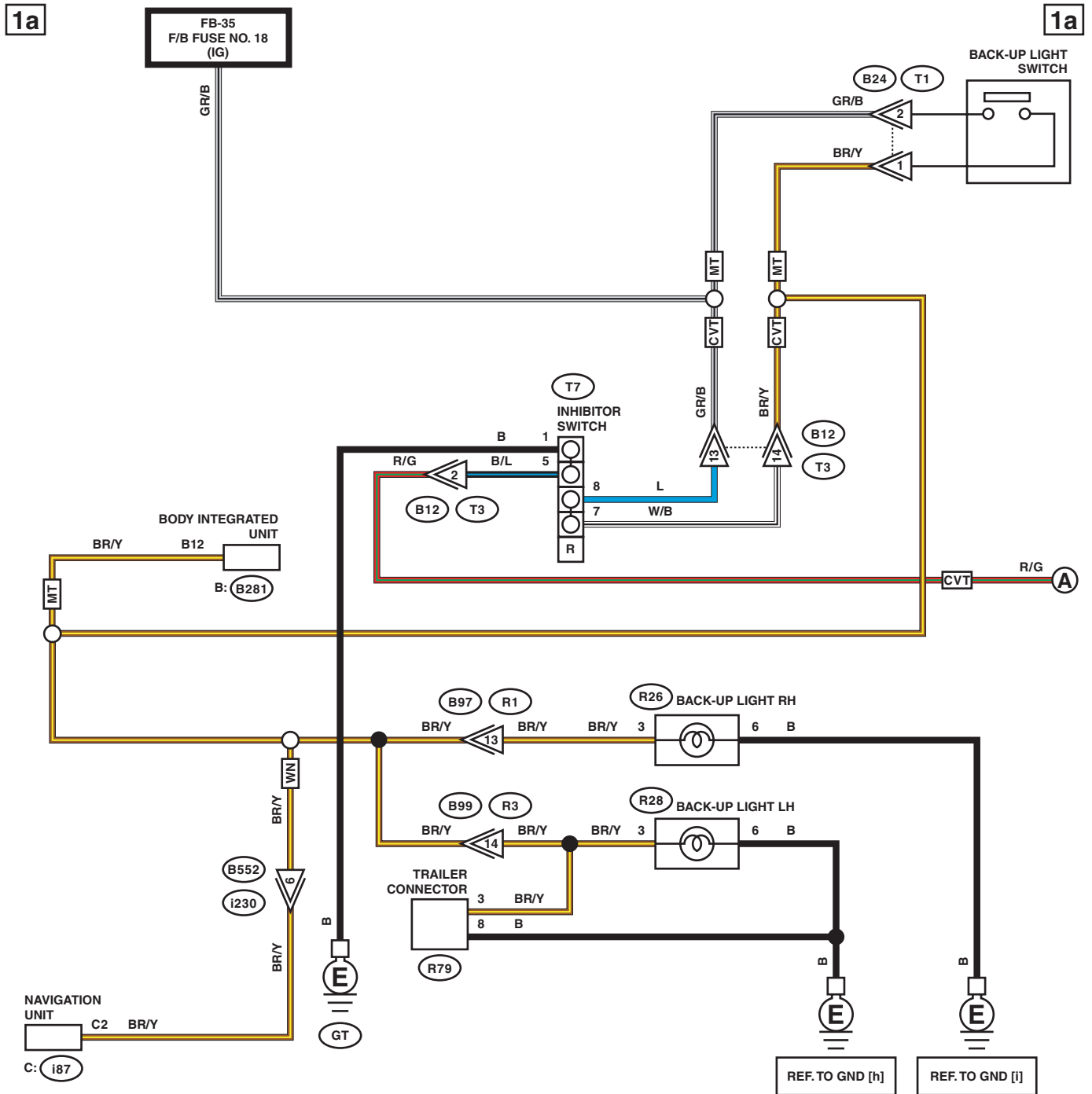
Back-up Light System

WIRING SYSTEM

9. Back-up Light System

A: WIRING DIAGRAM

1. NON-TURBO MODEL



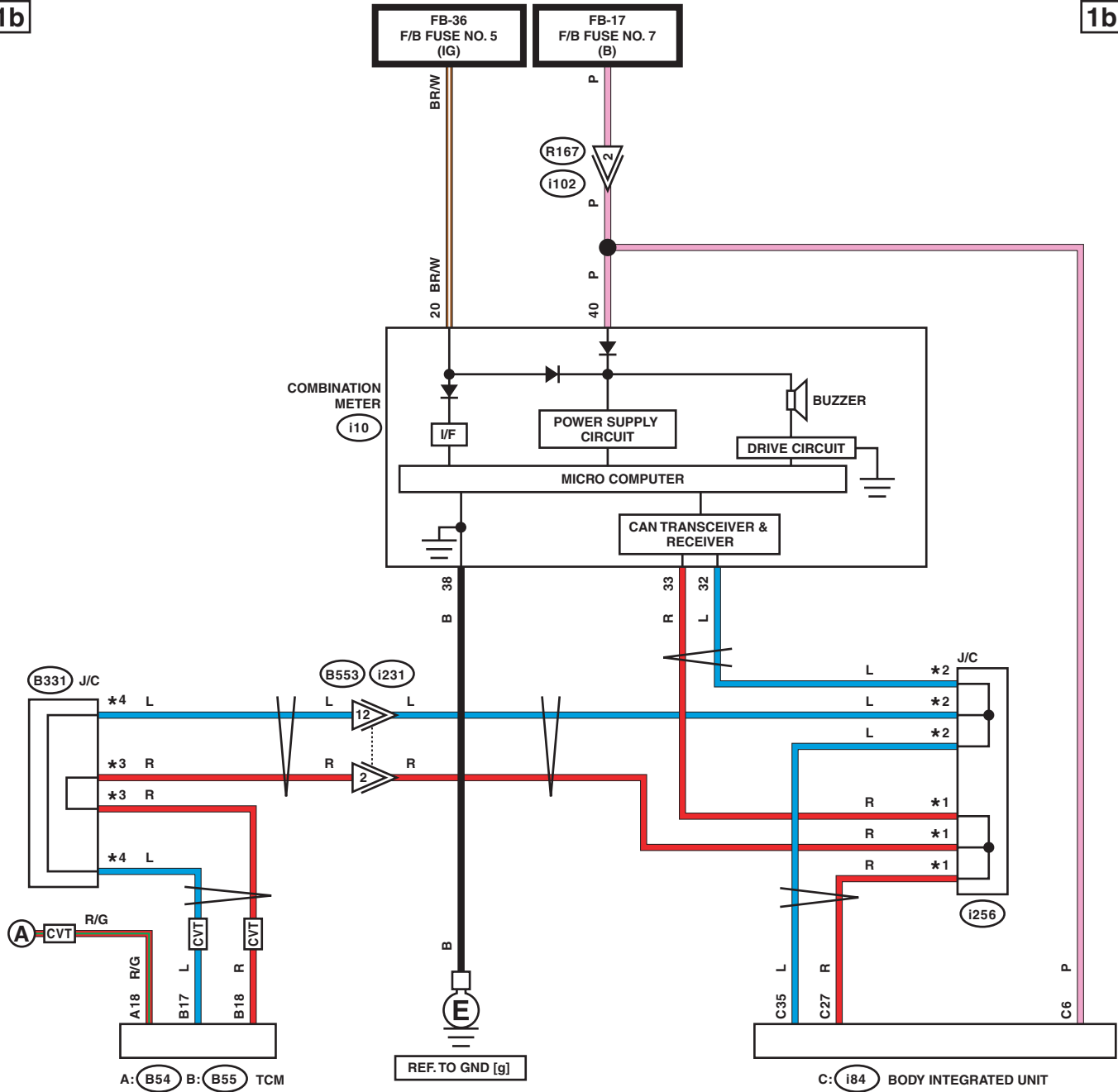
WN : WITH NAVIGATION

WI-40678

Back-up Light System

1b

1b



*1 : TERMINAL No. OPTIONAL ARRANGEMENT AMONG 1, 2, 3, 6, 7 AND 8
 *2 : TERMINAL No. OPTIONAL ARRANGEMENT AMONG 4, 5, 9, 10, 11 AND 12

*3 : TERMINAL No. OPTIONAL ARRANGEMENT AMONG 1, 2, 3, 4, 5, 6, 7, 8, 9, 10 AND 11
 *4 : TERMINAL No. OPTIONAL ARRANGEMENT AMONG 12, 13, 14, 15, 16, 17, 18, 19, 20, 21 AND 22

WI-40679

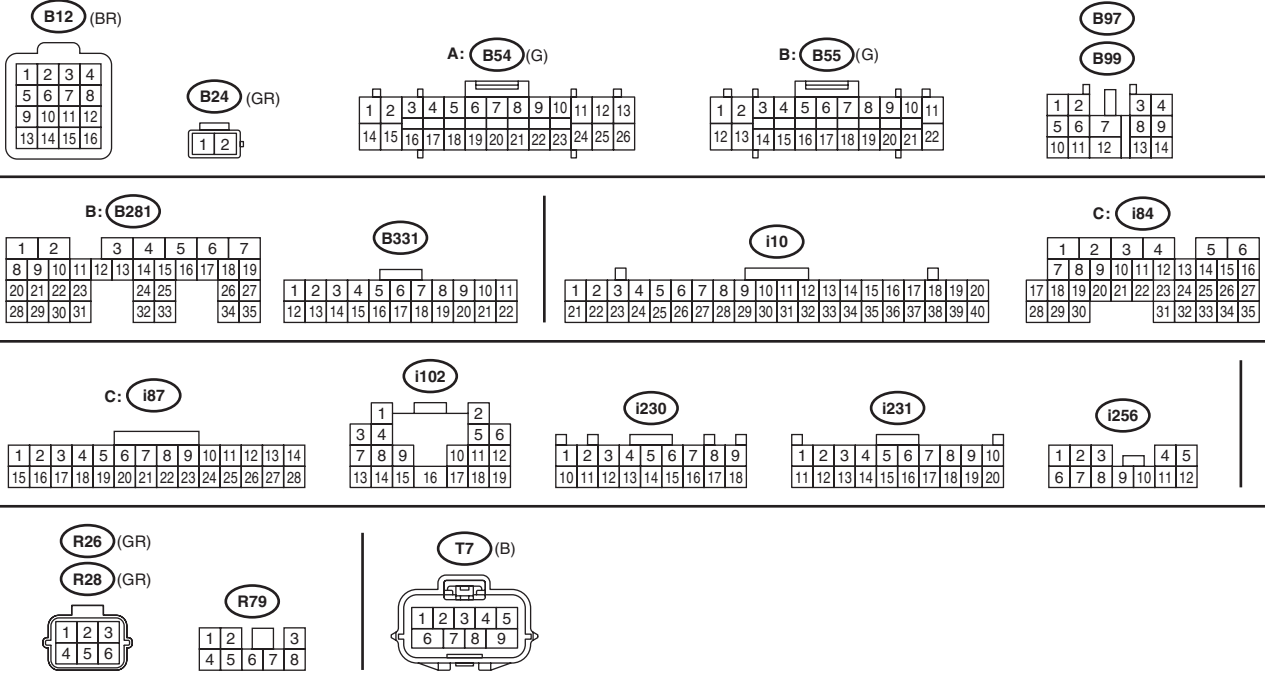
Back-up Light System

WIRING SYSTEM

1c

1c

LIST OF CONNECTORS



WI-40680

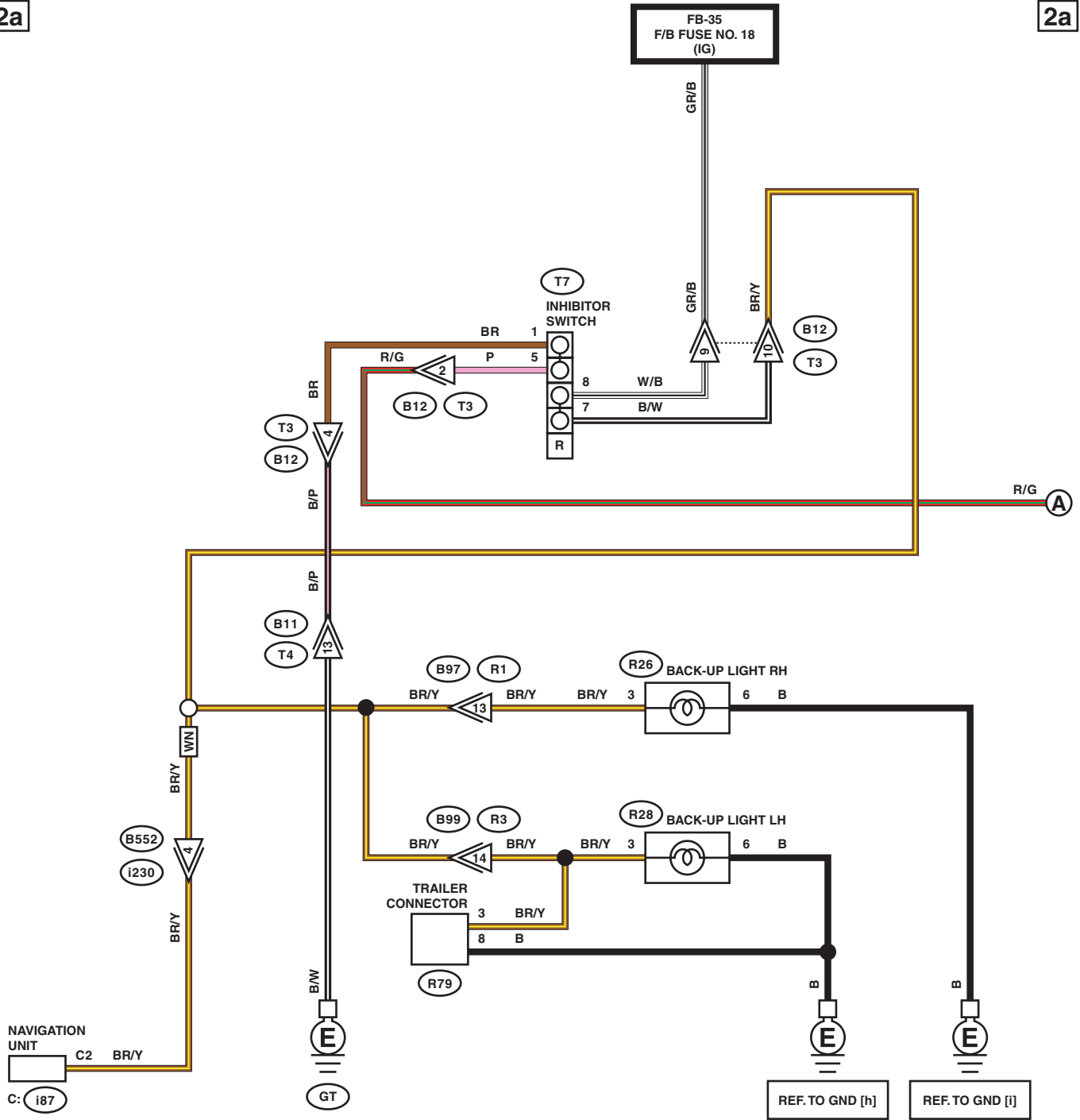
Back-up Light System

WIRING SYSTEM

2. TURBO MODEL

2a

2a



WN : WITH NAVIGATION

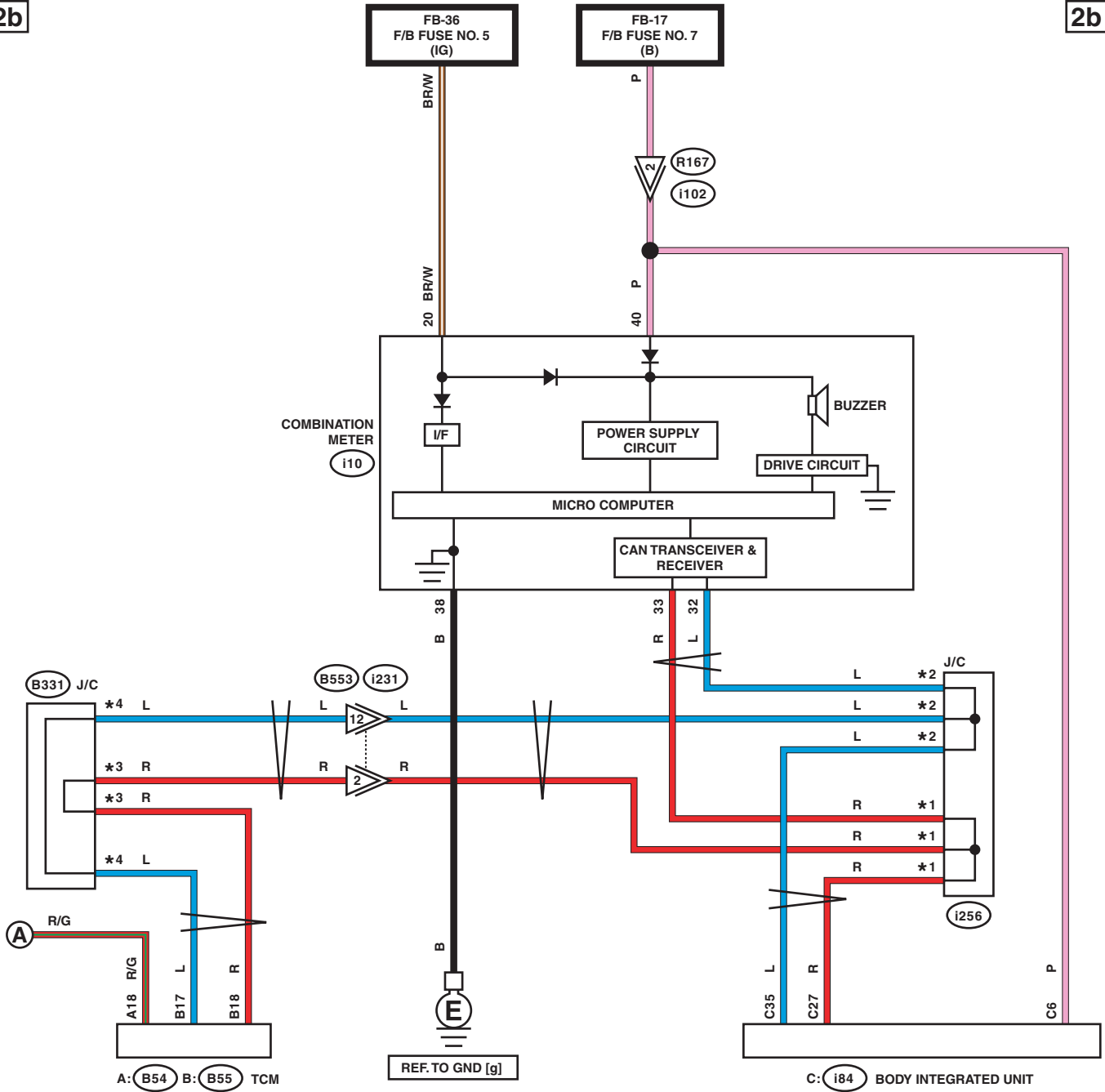
WI-40681

Back-up Light System

WIRING SYSTEM

2b

2b



*1 : TERMINAL No. OPTIONAL ARRANGEMENT AMONG 1, 2, 3, 6, 7 AND 8

*2 : TERMINAL No. OPTIONAL ARRANGEMENT AMONG 4, 5, 9, 10, 11 AND 12

*3 : TERMINAL No. OPTIONAL ARRANGEMENT AMONG 1, 2, 3, 4, 5, 6, 7, 8, 9, 10 AND 11

*4 : TERMINAL No. OPTIONAL ARRANGEMENT AMONG 12, 13, 14, 15, 16, 17, 18, 19, 20, 21 AND 22

WI-40682

2c

2c

LIST OF CONNECTORS

