

CHASSIS SECTION

This service manual has been prepared to provide SUBARU service personnel with the necessary information and data for the correct maintenance and repair of SUBARU vehicles.

This manual includes the procedures for maintenance, disassembling, reassembling, inspection and adjustment of components and diagnostics for guidance of experienced mechanics.

Please peruse and utilize this manual fully to ensure complete repair work for satisfying our customers by keeping their vehicle in optimum condition. When replacement of parts during repair work is needed, be sure to use SUBARU genuine parts.

All information, illustration and specifications contained in this manual are based on the latest product information available at the time of publication approval.

FRONT SUSPENSION**FS****REAR SUSPENSION****RS****WHEEL AND TIRE SYSTEM****WT****DIFFERENTIALS****DI****TRANSFER CASE****TC****DRIVE SHAFT SYSTEM****DS****ABS****ABS****ABS (DIAGNOSTICS)****ABS****BRAKE****BR****PARKING BRAKE****PB****POWER ASSISTED SYSTEM
(POWER STEERING)****PS**

BRAKE

BR

| | Page |
|------------------------------------|-------------|
| 1. General Description | 2 |
| 2. Front Brake Pad | 23 |
| 3. Front Disc Rotor | 26 |
| 4. Front Disc Brake Assembly | 28 |
| 5. Rear Brake Pad | 34 |
| 6. Rear Disc Rotor | 37 |
| 7. Rear Disc Brake Assembly | 39 |
| 8. Rear Drum Brake Shoe | 44 |
| 9. Rear Drum Brake Drum | 46 |
| 10. Rear Drum Brake Assembly | 48 |
| 11. Master Cylinder | 52 |
| 12. Brake Booster | 55 |
| 13. Proportioning Valve | 60 |
| 14. Brake Fluid | 62 |
| 15. Air Bleeding | 64 |
| 16. Brake Hose | 66 |
| 17. Brake Pipe | 68 |
| 18. Hill Holder | 70 |
| 19. Brake Pedal | 73 |
| 20. Stop Light Switch | 77 |
| 21. General Diagnostics | 79 |

GENERAL DESCRIPTION

BRAKE

1. General Description

A: SPECIFICATIONS

| | Size | 14 inch type | 15 inch type | 16 inch type |
|--|--|--|--|--|
| Front disc brake | Type | Disc (Floating type, ventilated) | | |
| | Effective disc diameter | 210 mm (8.27 in) | 228 mm (8.98 in) | 255 mm (10.04 in) |
| | Disc thickness × Outer diameter | 24 × 260 mm (0.94 × 10.24 in) | 24 × 277 mm (0.94 × 10.91 in) | 24 × 294 mm (0.94 × 11.57 in) |
| | Effective cylinder diameter | 57.2 mm (2.252 in) | 42.8 mm (1.685 in) × 2 | 40.4 mm (1.591 in) × 4 |
| | Pad dimensions (length × width × thickness) | 112.4 × 44.3 × 11.0 mm (4.425 × 1.744 × 0.433 in) | 112.3 × 50.0 × 11.0 mm (4.421 × 1.969 × 0.433 in) | 116.0 × 48.3 × 10.0 mm (4.567 × 1.902 × 0.344 in) |
| | Clearance adjustment | Automatic adjustment | | |
| | Rear disc brake | Type | — | Disc (Floating type) |
| Effective disc diameter | | — | 230 mm (9.06 in) | 261 mm (10.28 in) |
| Disc thickness × Outer diameter | | — | 10 × 266 mm (0.39 × 10.47 in) | 18 × 290 mm (0.71 × 11.42 in) |
| Effective cylinder diameter | | — | 38.1 mm (1.500 in) | |
| Pad dimensions (length × width × thickness) | | — | 82.4 × 33.7 × 9.0 mm (3.244 × 1.327 × 0.354 in) | 71.8 × 35.0 × 11.5 mm (2.827 × 1.378 × 0.453 in) |
| Clearance adjustment | | — | Automatic adjustment | |
| Rear drum brake | Type | Drum (Leading-Trailing type) | — | — |
| | Effective drum diameter | 228.6 mm (9 in) | — | — |
| | Effective cylinder diameter | 17.5 mm (0.689 in) | — | — |
| | Lining dimensions (length × width × thickness) | 218.8 × 35.0 × 4.1 mm (8.61 × 1.378 × 0.161 in) | — | — |
| | Clearance adjustment | Automatic adjustment | — | — |
| Master cylinder | Type | Tandem | | |
| | Effective diameter | 23.81 mm (0.9374 in) [25.4 mm (1 in)] | 26.99 mm (1-1/16 in) | |
| | Reservoir type | Sealed type | | |
| | Brake fluid reservoir capacity | 205 cm ³ (12.51 cu in) | | |
| Brake booster | Type | Vacuum suspended | | |
| | Effective diameter | 230 mm (9.06 in) [180 + 205 mm (7.09 + 8.07 in)] | 205 + 230 mm (8.07 + 9.06 in) | |
| Proportioning valve | Split point | 1,961 kPa (20 kg/cm ² , 285 psi) | | |
| | Reducing ratio | 0.3 | | |
| Brake line | Dual circuit system | | | |
| Brake fluid | CAUTION: <ul style="list-style-type: none"> • Avoid mixing brake fluid of different brands to prevent the fluid performance from degrading. • When brake fluid is supplemented, be careful not to allow any dust into the reservoir. • Use fresh DOT3 or 4 brake fluid when replacing or refilling the fluid. | | | |
| | FMVSS No. 116, DOT3 or DOT4 | | | |

[] : ABS equipped vehicle.

NOTE:

Refer to "PB section" for parking brake SPECIFICATIONS. <Ref. to PB-2, SPECIFICATIONS, General Description.>

GENERAL DESCRIPTION

BRAKE

| ITEM | | STANDARD | | SERVICE LIMIT |
|--------------------------------|---|----------|--------------------------------------|----------------------|
| Front brake | Pad thickness (including back metal) | 14",15" | 17 mm (0.571 in) | 7.5 mm (0.295 in) |
| | | 16" | 14.5 mm (0.67 in) | 6.0 mm (0.236 in) |
| | Disc thickness | | 24 mm (0.94 in) | 22 mm (0.87 in) |
| | Disc runout | | — | 0.075 mm (0.0030 in) |
| Rear brake (Disc type) | Pad thickness (including back metal) | 14" | 14 mm (0.55 in) | 6.5 mm (0.256 in) |
| | | 15" | 16 mm (0.63 in) | 6.0 mm (0.236 in) |
| | Disc thickness | 14" | 10 mm (0.39 in) | 8.5 mm (0.335 in) |
| | | 15" | 18 mm (0.71 in) | 10.0 mm (0.63 in) |
| Disc runout | | — | 0.07 mm (0.0028 in) | |
| Rear brake (Drum type) | Inside diameter | | 228.6 mm (9 in) | 230.6 mm (9.08 in) |
| | Lining thickness | | 4.1 mm (0.161 in) | 1.5 mm (0.059 in) |
| Rear brake (Disc type parking) | Inside diameter | | 170 mm (6.69 in) | 171 mm (6.73 in) |
| | Lining thickness | | 3.2 mm (0.126 in) | 1.5 mm (0.059 in) |
| Parking brake | Lever stroke | | 7 to 8 notches/196 N (20 kgf, 44 lb) | |

| | | Brake pedal force | Fluid pressure | | | |
|---------------|--|--------------------------|---|---|---|---|
| | | | 14 inch type | | 15 inch type | 16 inch type |
| | | | Without ABS | With ABS | | |
| Brake booster | Brake fluid pressure without engine running | 147 N (15 kgf, 33 lb) | 686 kPa (7 kg/cm ² , 100 psi) | 686 kPa (7 kg/cm ² , 100 psi) | 588 kPa (6 kg/cm ² , 85 psi) | |
| | | 294 N (30 kgf, 66 lb) | 1,961 kPa (20 kg/cm ² , 284 psi) | 1,961 kPa (20 kg/cm ² , 284 psi) | 1,471 kPa (15 kg/cm ² , 213 psi) | |
| | Brake fluid pressure with engine running and vacuum at 66.7 kPa (500 mmHg, 19.69 inHg) | 147 N (15 kgf, 33 lb) | 5,982 kPa (61 kg/cm ² , 868 psi) | 5,982 kPa (61 kg/cm ² , 868 psi) | 5,296 kPa (54 kg/cm ² , 768 psi) | 4,707 kPa (48 kg/cm ² , 683 psi) |
| | | 294 N (30 kgf, 66 lb) | 7,649 kPa (78 kg/cm ² , 1,109 psi) | 8,434 kPa (86 kg/cm ² , 1,223 psi) | 9,120 kPa (93 kg/cm ² , 1,323 psi) | |

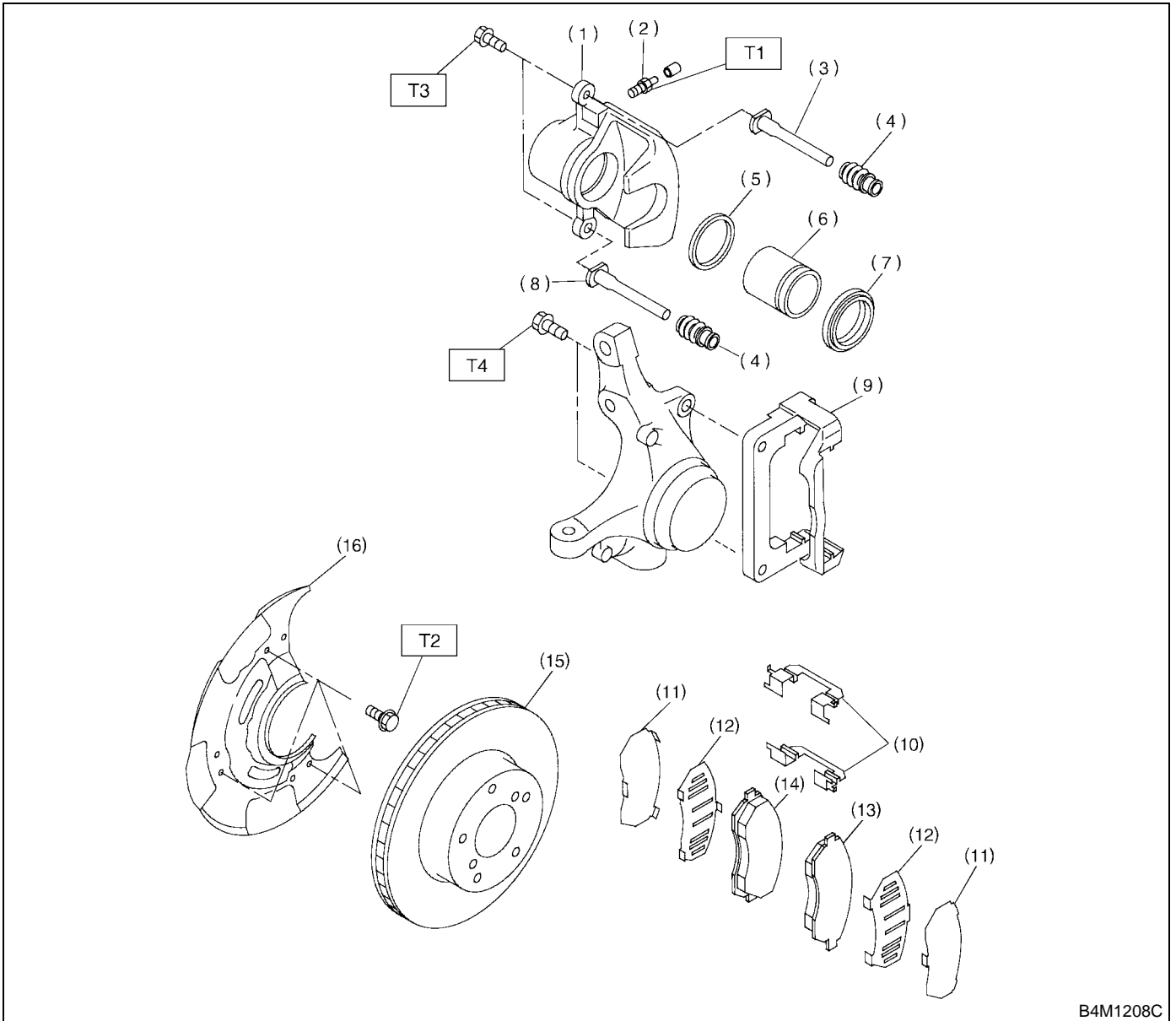
| | | |
|-------------|-----------|--|
| Brake pedal | Free play | 1 — 3 mm (0.04 — 0.12 in) [Depress brake pedal pad with a force of less than 10 N (1 kgf, 2 lb).] |
|-------------|-----------|--|

GENERAL DESCRIPTION

BRAKE

B: COMPONENT

1. 14 INCH TYPE



B4M1208C

- | | |
|-----------------------|--------------------|
| (1) Caliper body | (9) Support |
| (2) Air bleeder screw | (10) Pad clip |
| (3) Guide pin (Green) | (11) Outer shim |
| (4) Pin boot | (12) Inner shim |
| (5) Piston seal | (13) Pad (Outside) |
| (6) Piston | (14) Pad (Inside) |
| (7) Piston boot | (15) Disc rotor |
| (8) Lock pin (Yellow) | (16) Disc cover |

Tightening torque: N·m (kgf·m, ft·lb)

T1: 8 (0.8, 5.8)

T2: 18 (1.8, 13.0)

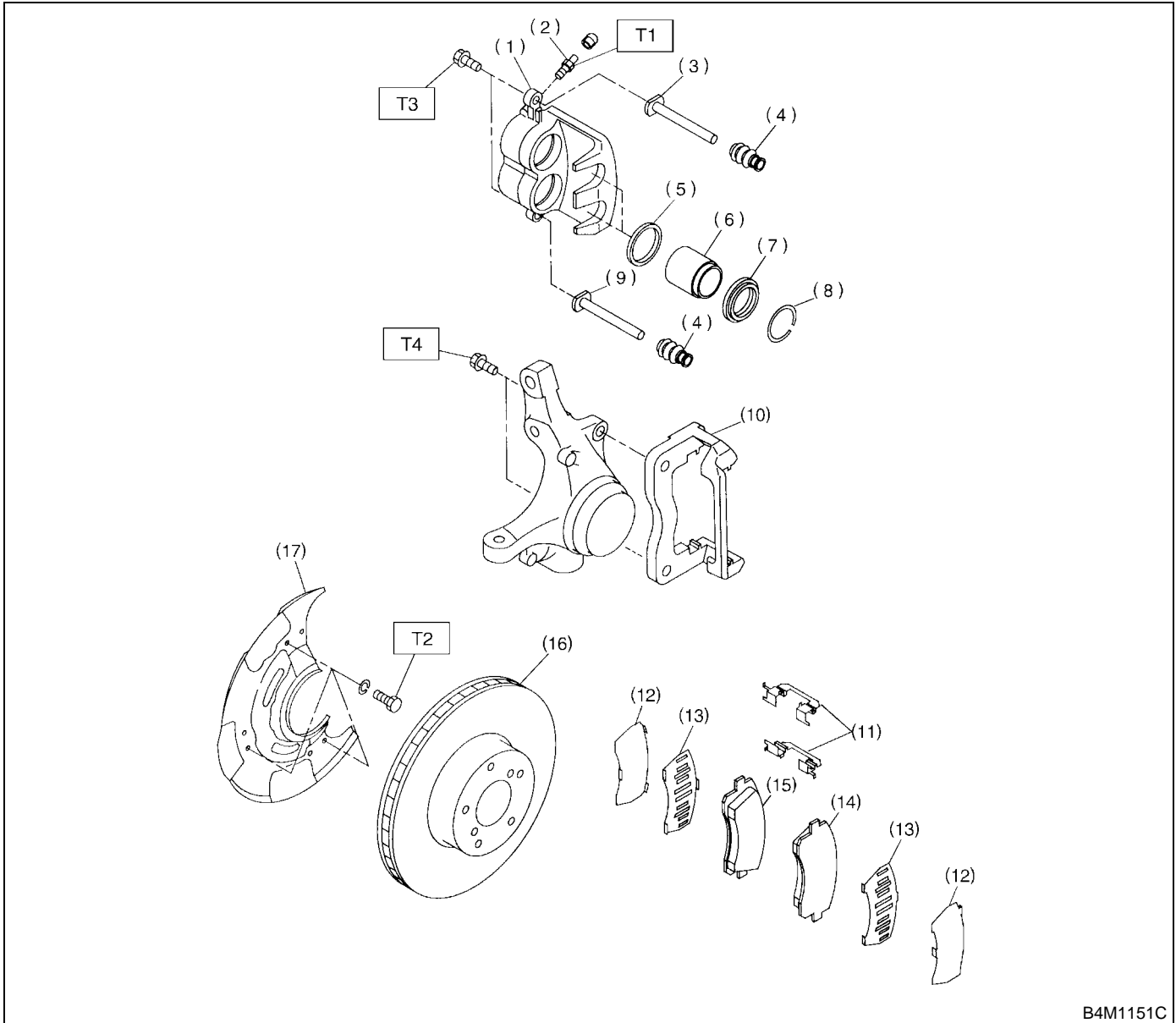
T3: 37 (3.8, 27.5)

T4: 80 (8.2, 59)

GENERAL DESCRIPTION

BRAKE

2. 15 INCH TYPE



B4M1151C

- | | | |
|-----------------------|-----------------------|-----------------|
| (1) Caliper body | (9) Lock pin (Yellow) | (17) Disc cover |
| (2) Air bleeder screw | (10) Support | |
| (3) Guide pin (Green) | (11) Pad clip | |
| (4) Pin boot | (12) Outer shim | |
| (5) Piston seal | (13) Inner shim | |
| (6) Piston | (14) Pad (Outside) | |
| (7) Piston boot | (15) Pad (Inside) | |
| (8) Boot ring | (16) Disc rotor | |

Tightening torque: N-m (kgf-m, ft-lb)

T1: 8 (0.8, 5.8)

T2: 18 (1.8, 13.0)

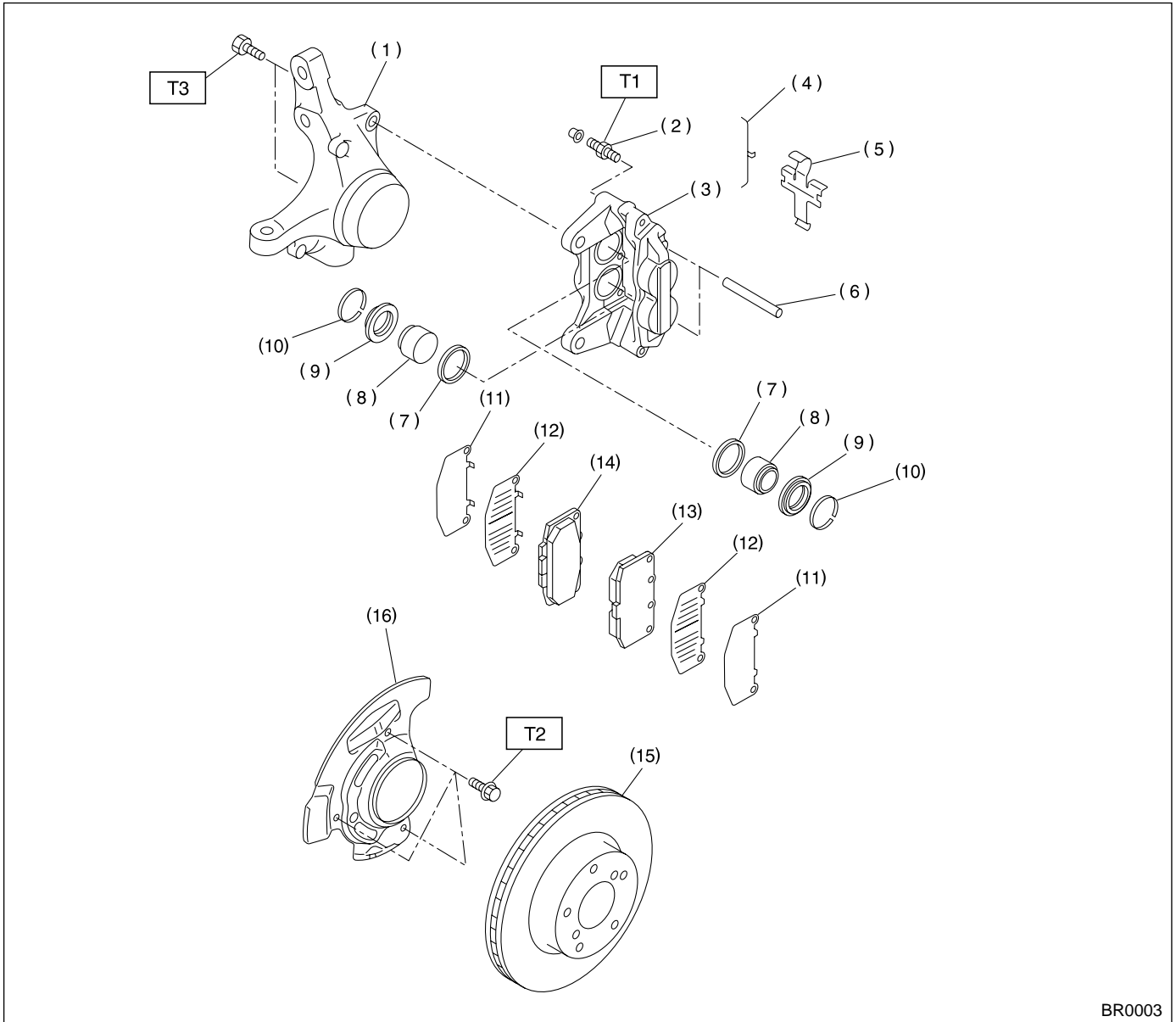
T3: 37 (3.8, 27.5)

T4: 80 (8.2, 59)

GENERAL DESCRIPTION

BRAKE

3. 16 INCH TYPE



BR0003

- | | |
|-----------------------|--------------------|
| (1) Housing | (9) Piston boot |
| (2) Air bleeder screw | (10) Boot ring |
| (3) Caliper body | (11) Shim A |
| (4) M clip | (12) Shim B |
| (5) Cross spring | (13) Pad (Outside) |
| (6) Pad pin | (14) Pad (Inside) |
| (7) Piston seal | (15) Disc rotor |
| (8) Piston | (16) Disc cover |

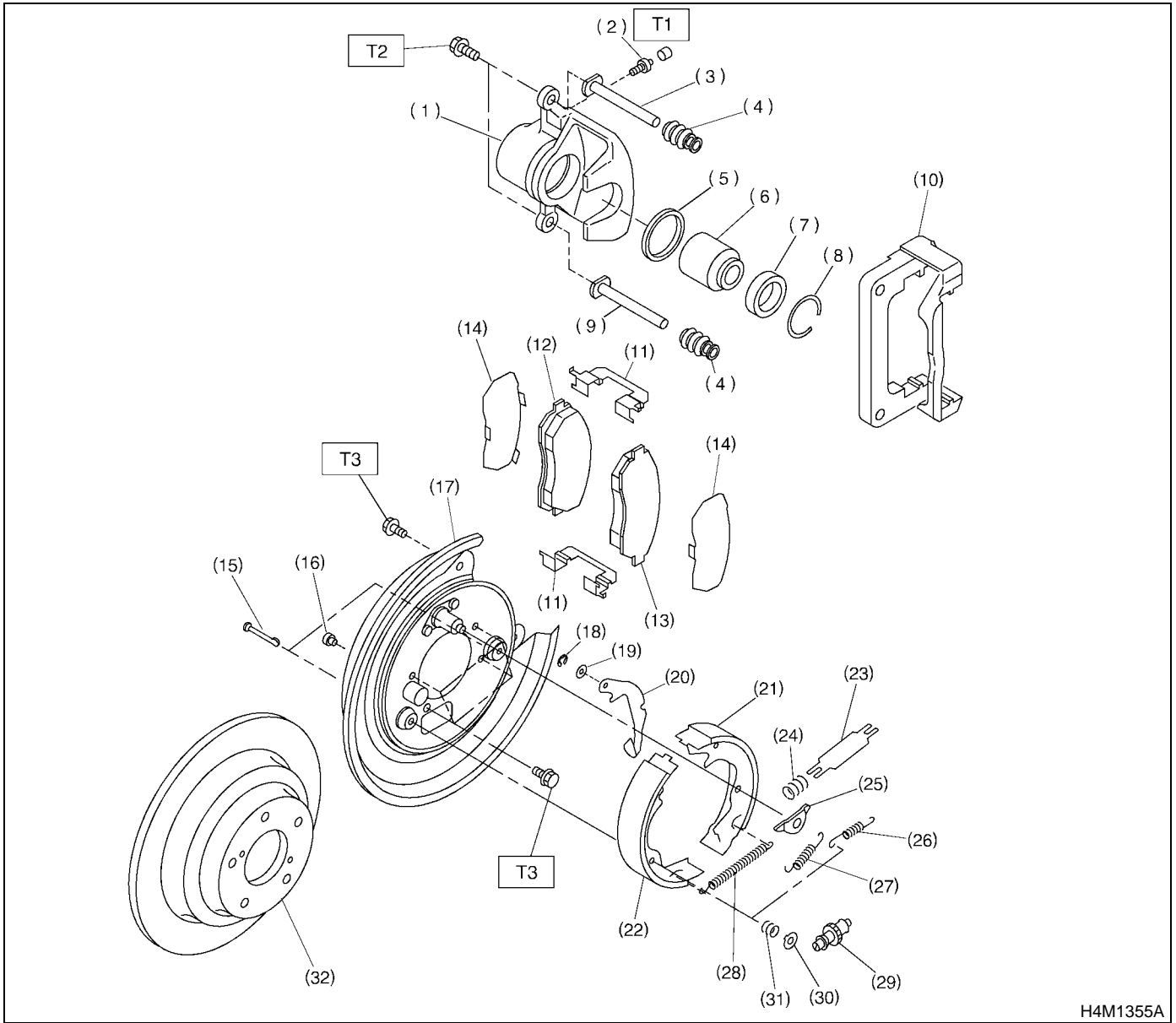
Tightening torque: N·m (kgf-m, ft-lb)

T1: 8 (0.8, 5.8)

T2: 18 (1.8, 13.0)

T3: 80 (8.2, 59)

4. REAR DISC BRAKE (14 INCH TYPE)



H4M1355A

- | | | |
|---|--|---|
| <ul style="list-style-type: none"> (1) Caliper body (2) Air bleeder screw (3) Guide pin (Green) (4) Pin boot (5) Piston seal (6) Piston (7) Piston boot (8) Boot ring (9) Lock pin (Yellow) (10) Support (11) Pad clip (12) Inner pad (13) Outer pad | <ul style="list-style-type: none"> (14) Shim (15) Shoe hold-down pin (16) Cover (17) Back plate (18) Retainer (19) Spring washer (20) Parking brake lever (21) Parking brake shoe (Secondary) (22) Parking brake shoe (Primary) (23) Strut (24) Strut shoe spring (25) Shoe guide plate (26) Secondary shoe return spring | <ul style="list-style-type: none"> (27) Primary shoe return spring (28) Adjusting spring (29) Adjuster (30) Shoe hold-down cup (31) Shoe hold-down spring (32) Disc rotor |
|---|--|---|

Tightening torque: N-m (kgf-m, ft-lb)

T1: 8 (0.8, 5.8)

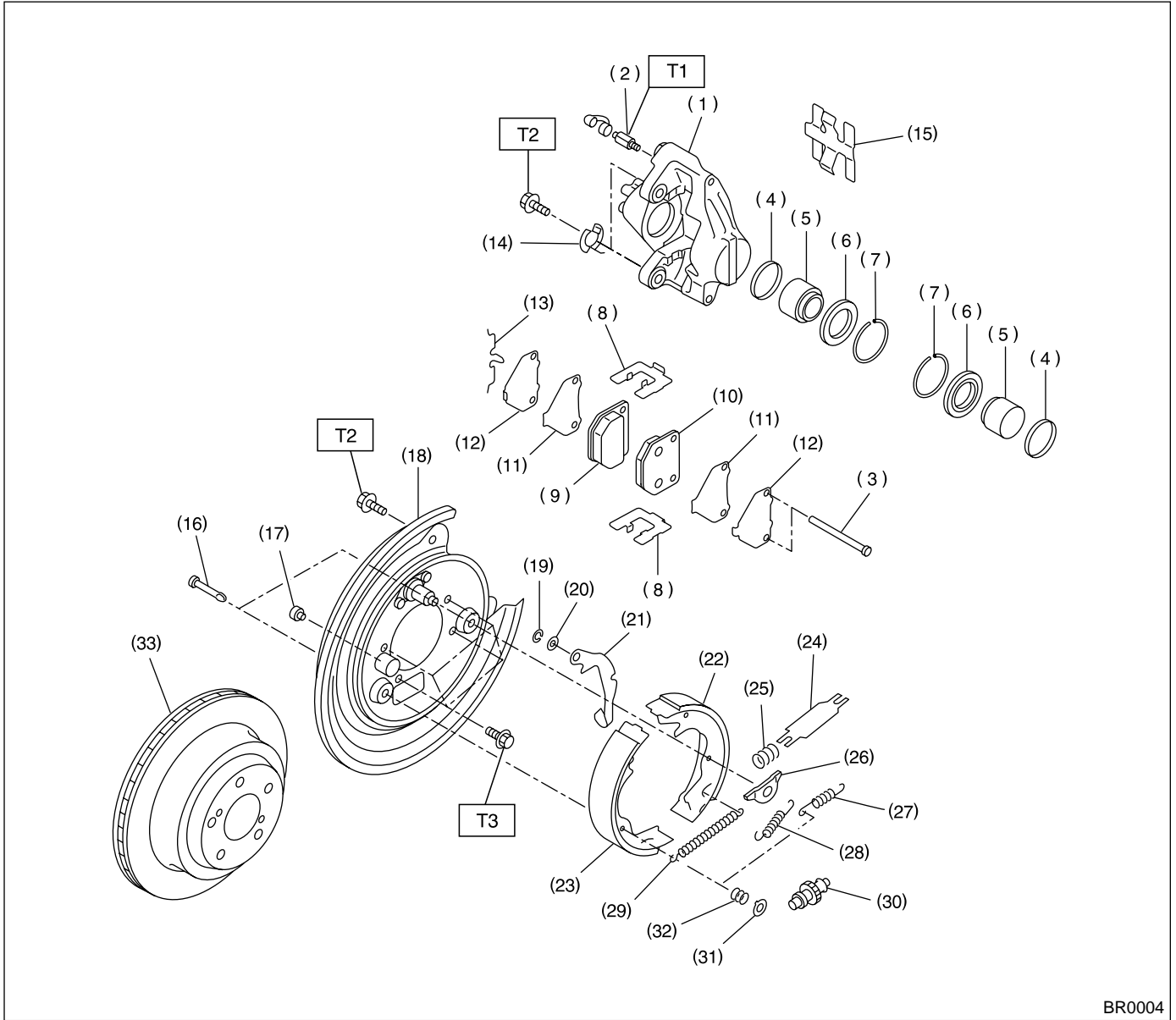
T2: 37 (3.8, 27.5)

T3: 52 (5.3, 38.3)

GENERAL DESCRIPTION

BRAKE

5. REAR DISC BRAKE (15 INCH TYPE)



BR0004

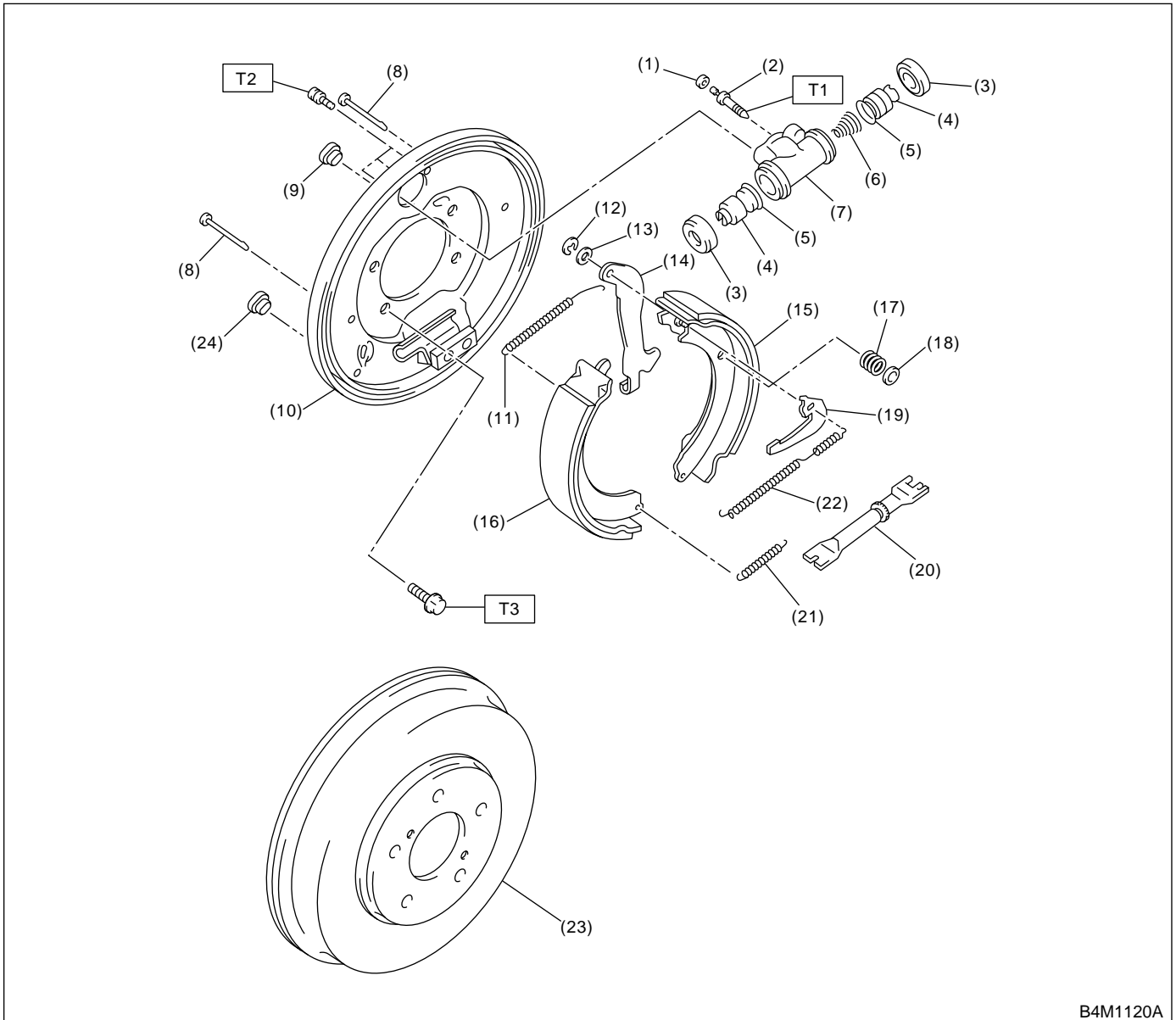
- | | | |
|-----------------------|-------------------------------------|-----------------------------------|
| (1) Caliper body | (14) Washer | (27) Secondary shoe return spring |
| (2) Air bleeder screw | (15) Cross spring | (28) Primary shoe return spring |
| (3) Pad pin | (16) Shoe hold-down pin | (29) Adjusting spring |
| (4) Piston seal | (17) Cover | (30) Adjuster |
| (5) Piston | (18) Back plate | (31) Shoe hold-down cup |
| (6) Piston boot | (19) Retainer | (32) Shoe hold-down spring |
| (7) Boot ring | (20) Spring washer | (33) Disc rotor |
| (8) Pad clip | (21) Parking brake lever | |
| (9) Inner pad | (22) Parking brake shoe (Secondary) | |
| (10) Outer pad | (23) Parking brake shoe (Primary) | |
| (11) Inner shim | (24) Strut | |
| (12) Outer shim | (25) Strut shoe spring | |
| (13) M clip | (26) Shoe guide plate | |

Tightening torque: N·m (kgf·m, ft·lb)

T1: 8 (0.8, 5.8)

T2: 52 (5.3, 38.3)

6. REAR DRUM BRAKE



B4M1120A

- | | | |
|-------------------------|-------------------------------|-------------------------------|
| (1) Air bleeder cap | (11) Upper shoe return spring | (21) Lower shoe return spring |
| (2) Air bleeder screw | (12) Retainer | (22) Adjusting spring |
| (3) Boot | (13) Washer | (23) Drum |
| (4) Piston | (14) Parking brake lever | |
| (5) Cup | (15) Brake shoe (Trailing) | |
| (6) Spring | (16) Brake shoe (Leading) | |
| (7) Wheel cylinder body | (17) Shoe hold-down spring | |
| (8) Pin | (18) Cup | |
| (9) Plug | (19) Adjusting lever | |
| (10) Back plate | (20) Adjuster | |

Tightening torque: N·m (kgf·m, ft·lb)

T1: 8 (0.8, 5.8)

T2: 10 (1.0, 7.2)

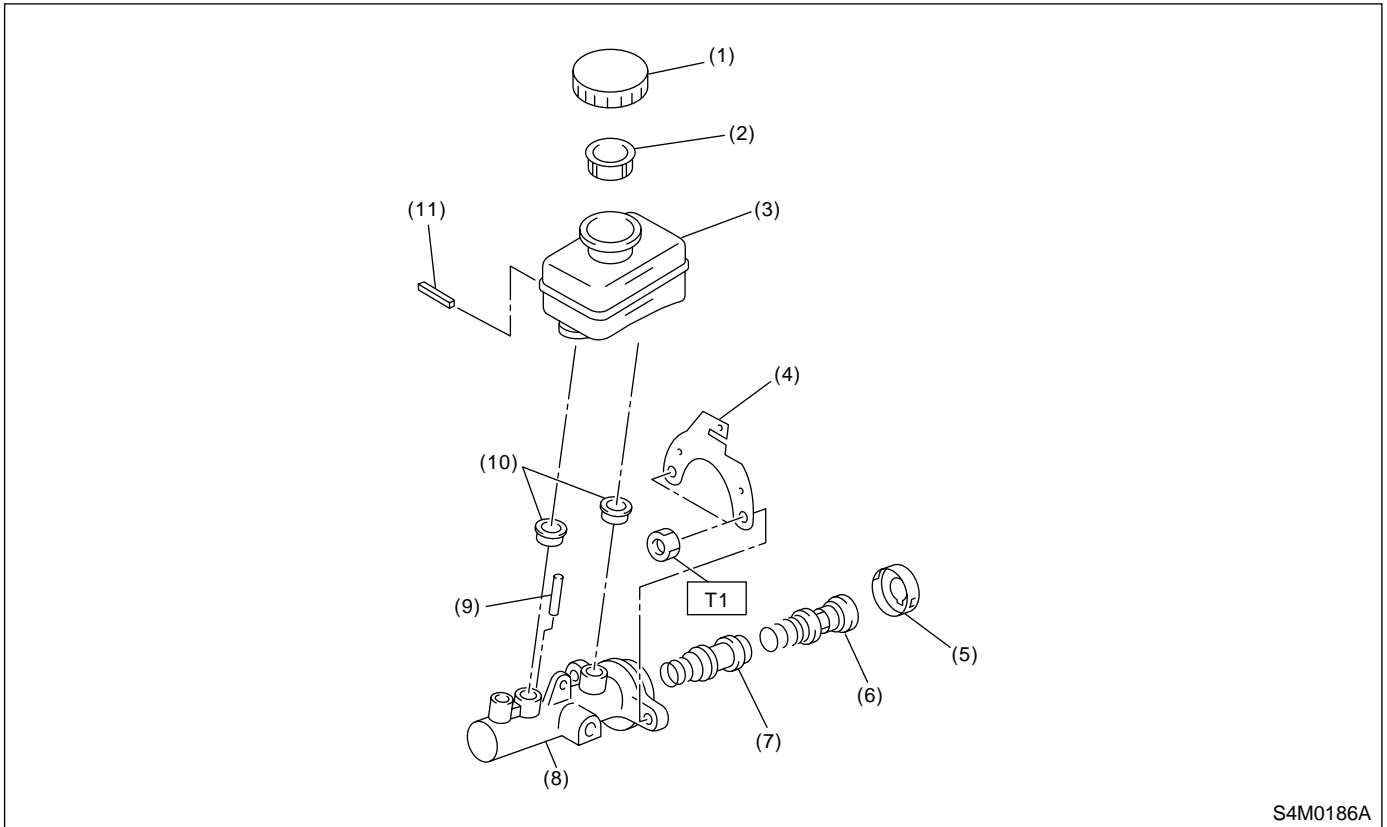
T3: 52 (5.3, 38.3)

GENERAL DESCRIPTION

BRAKE

7. MASTER CYLINDER

• LHD models



- | | |
|---------------------|-----------------------------|
| (1) Cap | (7) Secondary piston |
| (2) Filter | (8) Cylinder body |
| (3) Reservoir tank | (9) Cylinder pin (with ABS) |
| (4) Bracket | (10) Seal |
| (5) Piston retainer | (11) Pin |
| (6) Primary piston | |

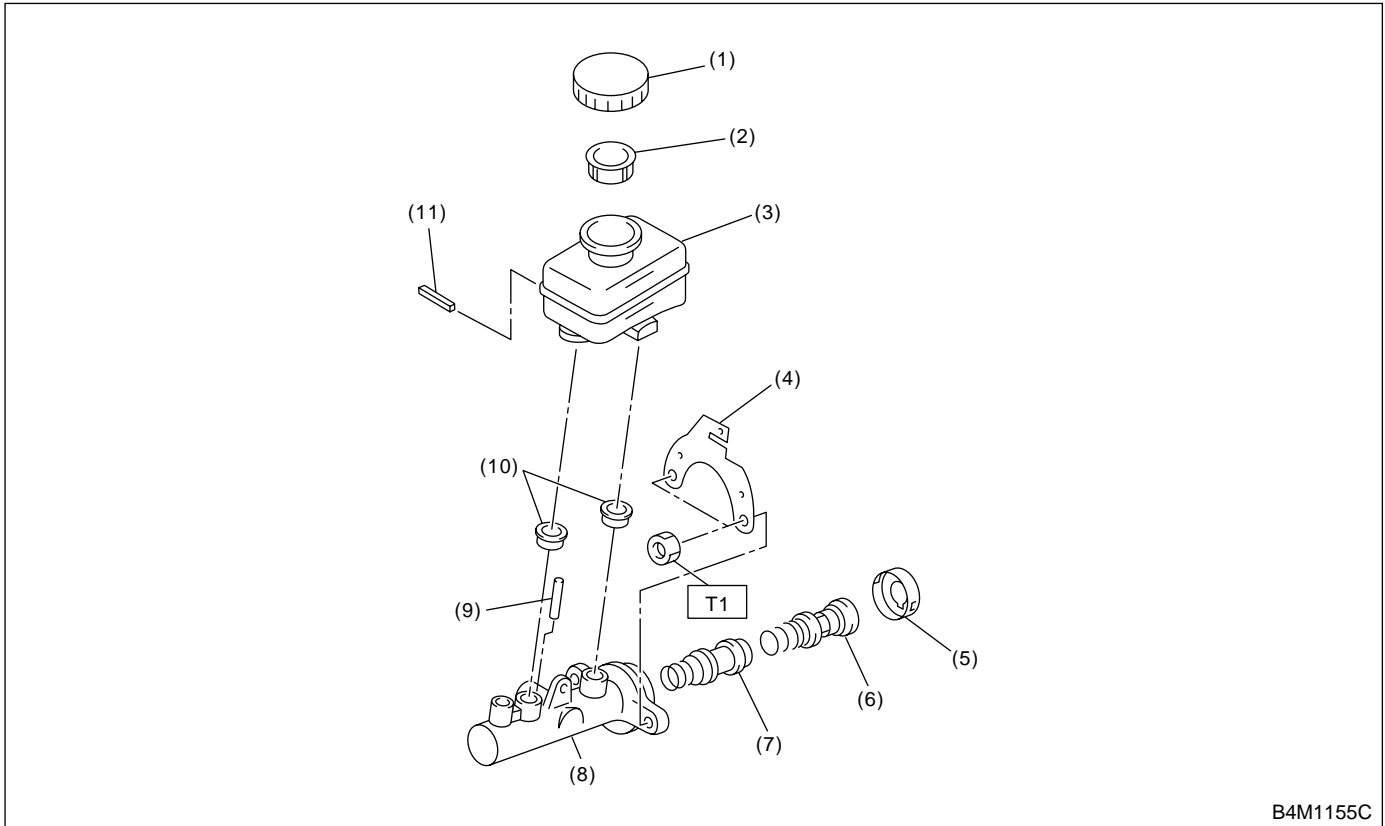
Tightening torque: N·m (kgf·m, ft·lb)

T1: 14 (1.4, 10.1)

GENERAL DESCRIPTION

BRAKE

• RHD models



- (1) Cap
- (2) Filter
- (3) Reservoir tank
- (4) Bracket
- (5) Piston retainer

- (6) Primary piston
- (7) Secondary piston
- (8) Cylinder body
- (9) Cylinder pin (with ABS)
- (10) Seal

- (11) Pin

Tightening torque: N·m (kgf·m, ft·lb)

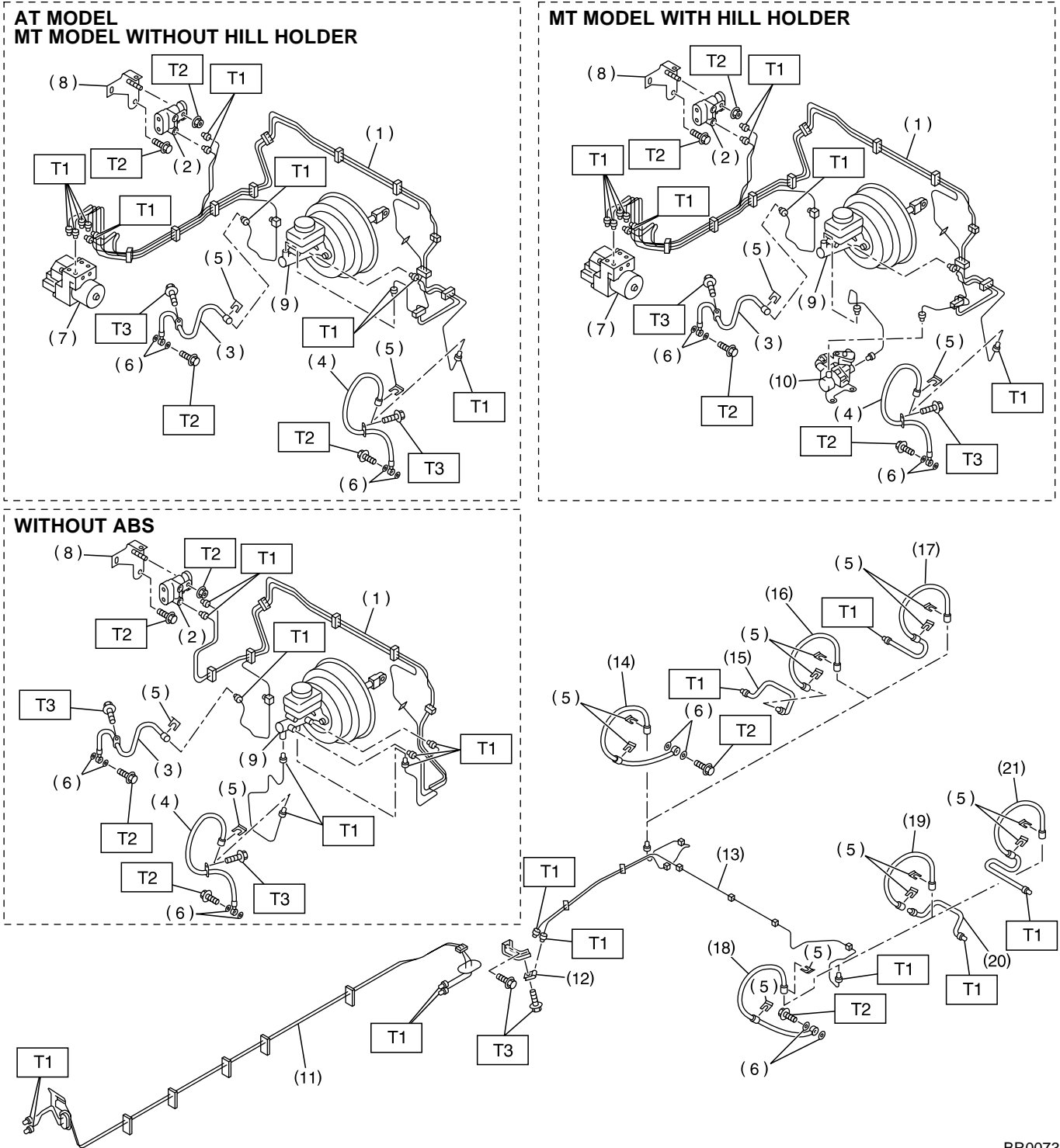
T1: 14 (1.4, 10.1)

GENERAL DESCRIPTION

BRAKE

8. BRAKE PIPES AND HOSE

• LHD model



BR0073

GENERAL DESCRIPTION

BRAKE

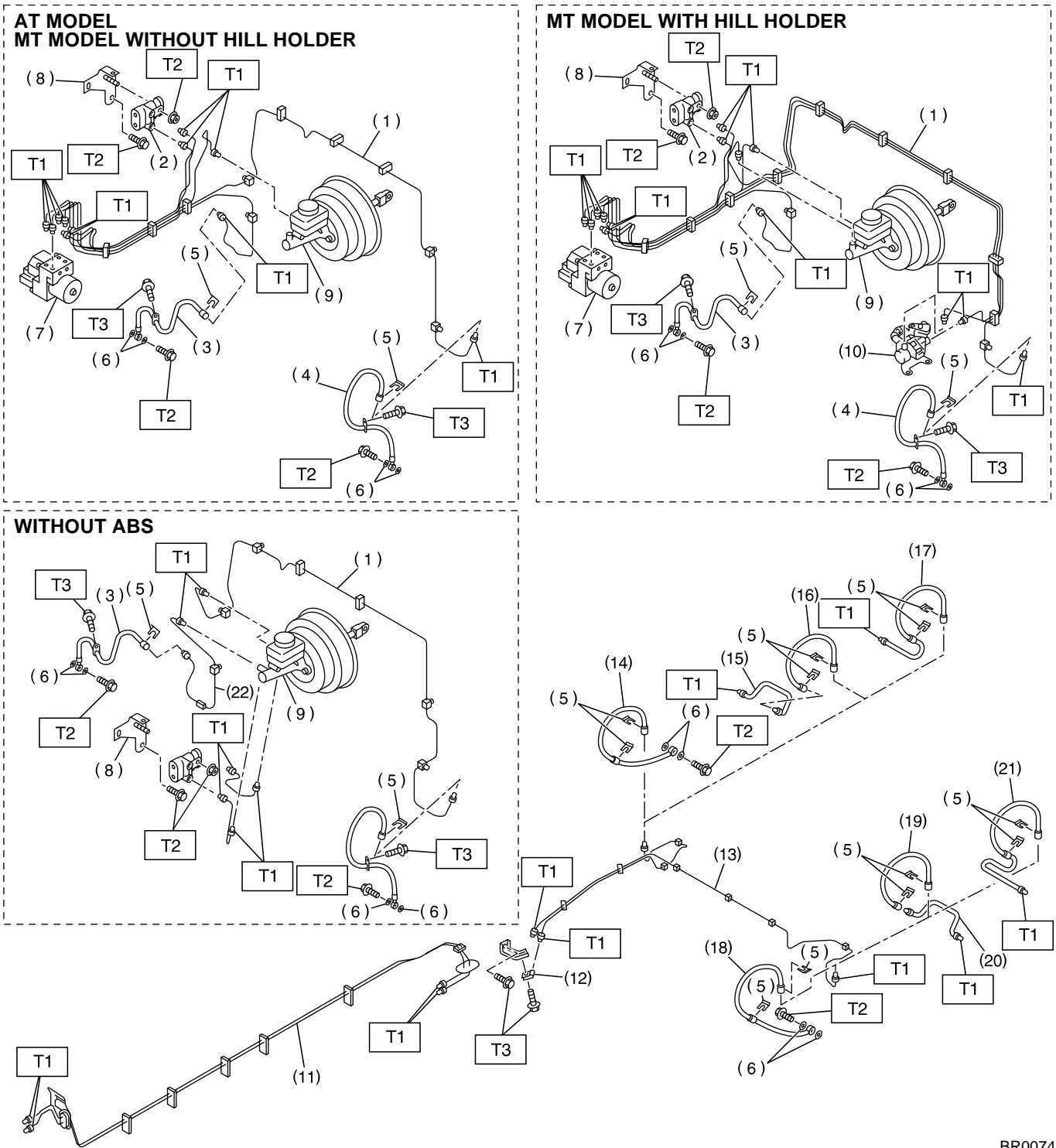
| | | |
|---|--|--|
| (1) Front brake pipe assembly | (12) Two-way connector | (19) Rear brake hose LH (FWD drum brake model) |
| (2) Proportioning valve | (13) Rear brake pipe assembly | (20) Rear brake pipe LH (FWD drum brake model) |
| (3) Front brake hose RH | (14) Rear brake hose RH (Disc brake model) | (21) Rear brake hose LH (AWD drum brake model) |
| (4) Front brake hose LH | (15) Rear brake pipe RH (FWD drum brake model) | (22) Adapter pipe |
| (5) Clamp | (16) Rear brake hose RH (FWD drum brake model) | |
| (6) Gasket | (17) Rear brake hose (AWD drum brake model) | |
| (7) ABS control module and hydraulic control unit | (18) Rear brake hose LH (Disc brake model) | |
| (8) Bracket | | |
| (9) Master Cylinder | | |
| (10) Hill holder | | |
| (11) Center brake pipe assembly | | |

Tightening torque: N·m (kgf·m, ft·lb)
T1: 15 (1.5, 10.8)
T2: 18 (1.8, 13.0)
T3: 32 (3.3, 23.6)

GENERAL DESCRIPTION

BRAKE

• RHD model



BR0074

GENERAL DESCRIPTION

BRAKE

| | | |
|---|--|--|
| (1) Front brake pipe assembly | (12) Two-way connector | (19) Rear brake hose LH (FWD drum brake model) |
| (2) Proportioning valve | (13) Rear brake pipe assembly | (20) Rear brake pipe LH (FWD drum brake model) |
| (3) Front brake hose RH | (14) Rear brake hose RH (Disc brake model) | (21) Rear brake hose LH (AWD drum brake model) |
| (4) Front brake hose LH | (15) Rear brake pipe RH (FWD drum brake model) | (22) Adapter pipe |
| (5) Clamp | (16) Rear brake hose RH (FWD drum brake model) | |
| (6) Gasket | (17) Rear brake hose (AWD drum brake model) | |
| (7) ABS control module and hydraulic control unit | (18) Rear brake hose LH (Disc brake model) | |
| (8) Bracket | | |
| (9) Master Cylinder | | |
| (10) Hill holder | | |
| (11) Center brake pipe assembly | | |

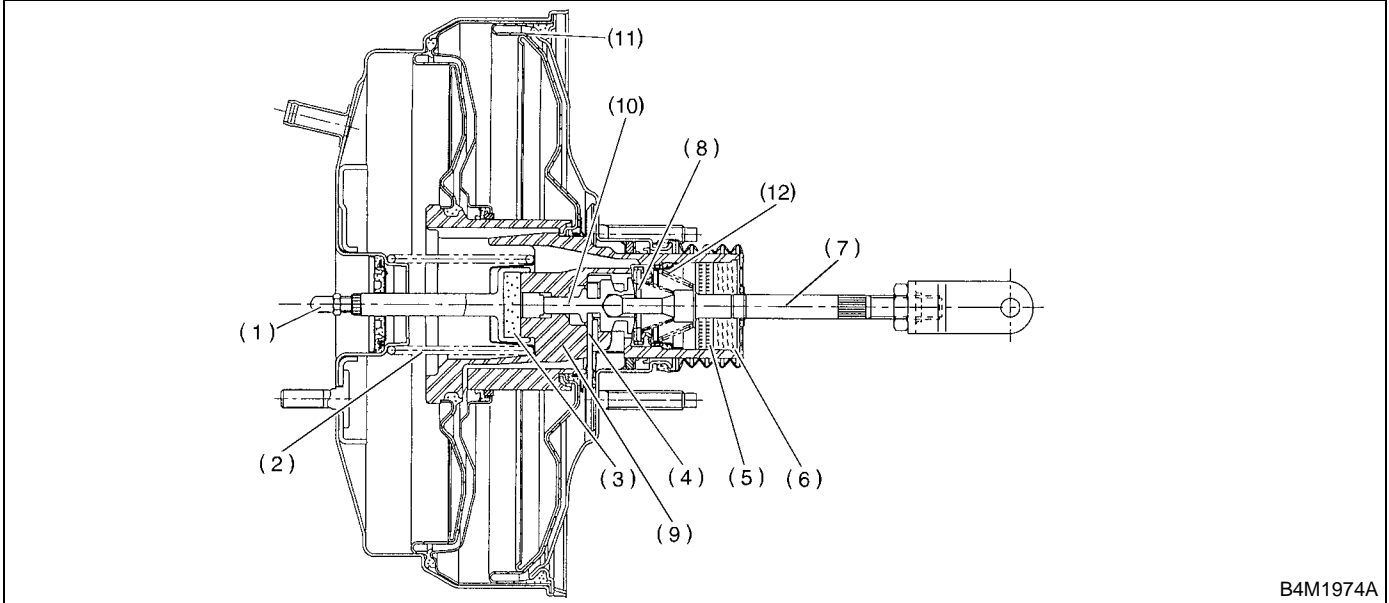
Tightening torque: N·m (kgf-m, ft-lb)
T1: 15 (1.5, 10.8)
T2: 18 (1.8, 13.0)
T3: 32 (3.3, 23.6)

GENERAL DESCRIPTION

BRAKE

9. BRAKE BOOSTER

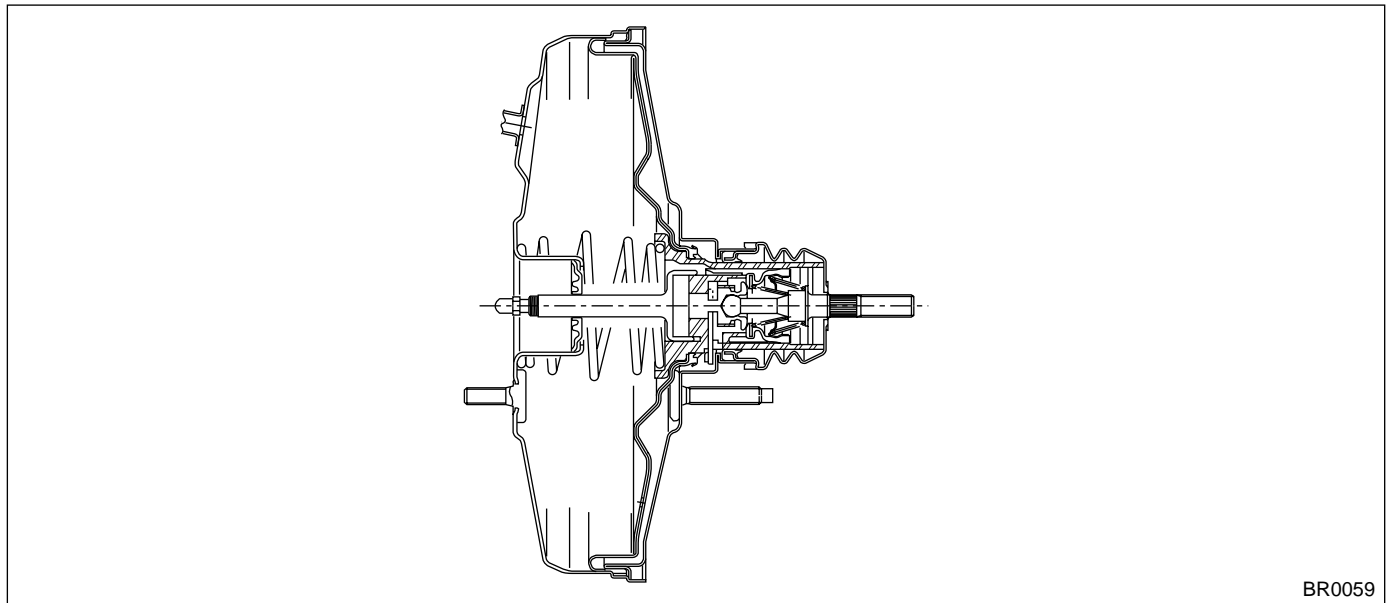
• Models with ABS



B4M1974A

- | | | |
|-------------------|-------------------|--------------------------|
| (1) Push rod | (5) Filter | (9) Valve body |
| (2) Return spring | (6) Silencer | (10) Plunger valve |
| (3) Reaction disc | (7) Operating rod | (11) Diaphragm plate |
| (4) Key | (8) Poppet valve | (12) Valve return spring |

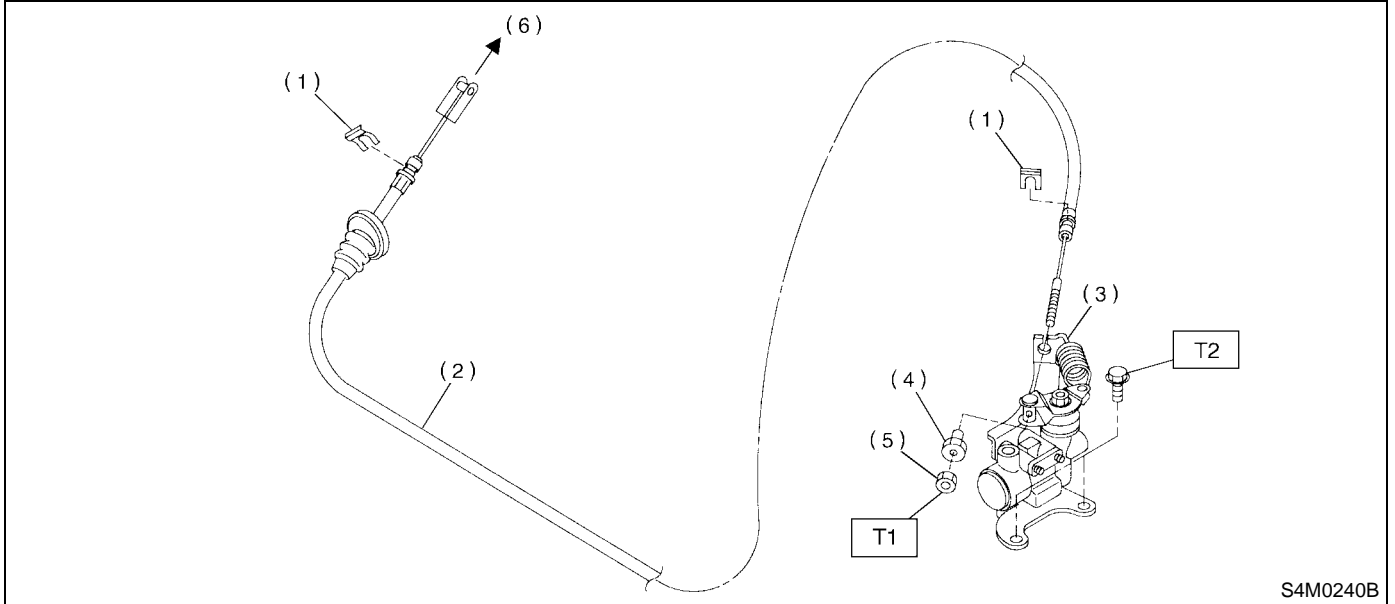
• Models without ABS



BR0059

- | | | |
|---------------------|-------------------------|-------------------|
| (1) Push rod | (5) Plunger valve | (9) Operating rod |
| (2) Return spring | (6) Key | (10) Silencer |
| (3) Diaphragm plate | (7) Poppet valve | (11) Filter |
| (4) Reaction disc | (8) Valve return spring | (12) Valve body |

10.HILL HOLDER



- (1) Clamp
- (2) PHV cable
- (3) PHV (Pressure hold valve)
- (4) Adjusting nut

- (5) Lock nut
- (6) To clutch pedal

Tightening torque: N·m (kgf·m, ft·lb)

T1: 3.5 (0.35, 2.5)

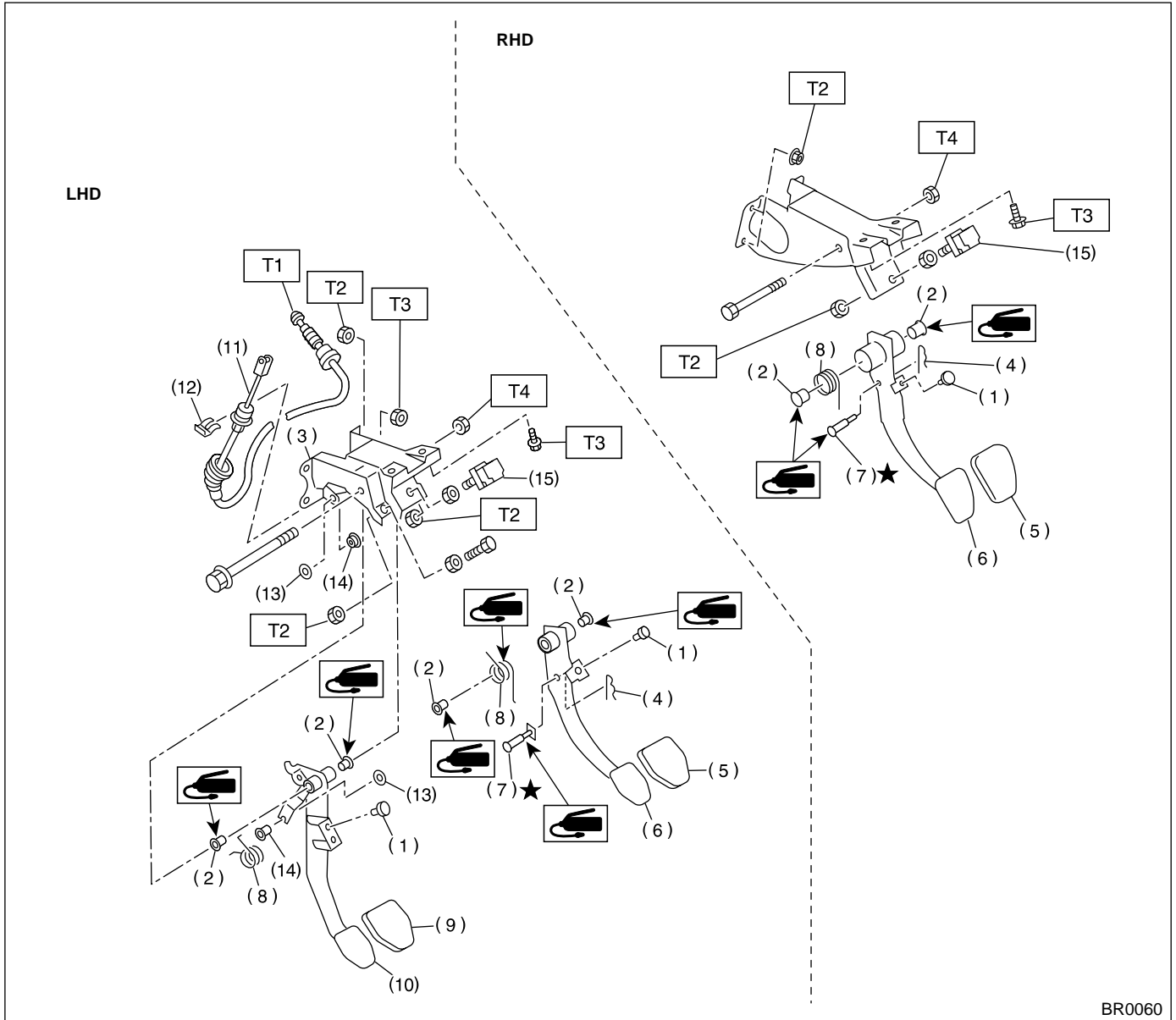
T2: 18 (1.8, 13.0)

GENERAL DESCRIPTION

BRAKE

11. BRAKE PEDAL

• 1.6 L Model



BR0060

- | | | |
|--------------------------|-------------------------|------------------------|
| (1) Stopper | (8) Spring | (15) Stop light switch |
| (2) Bushing | (9) Clutch pedal pad | |
| (3) Clutch pedal bracket | (10) Clutch pedal | |
| (4) Snap pin | (11) Clutch cable | |
| (5) Brake pedal pad | (12) Clutch cable clamp | |
| (6) Brake pedal | (13) Clip | |
| (7) Clevis pin | (14) Spring assist | |

Tightening torque: N·m (kgf·m, ft·lb)

T1: 5.9 (0.6, 4.3)

T2: 8 (0.8, 5.8)

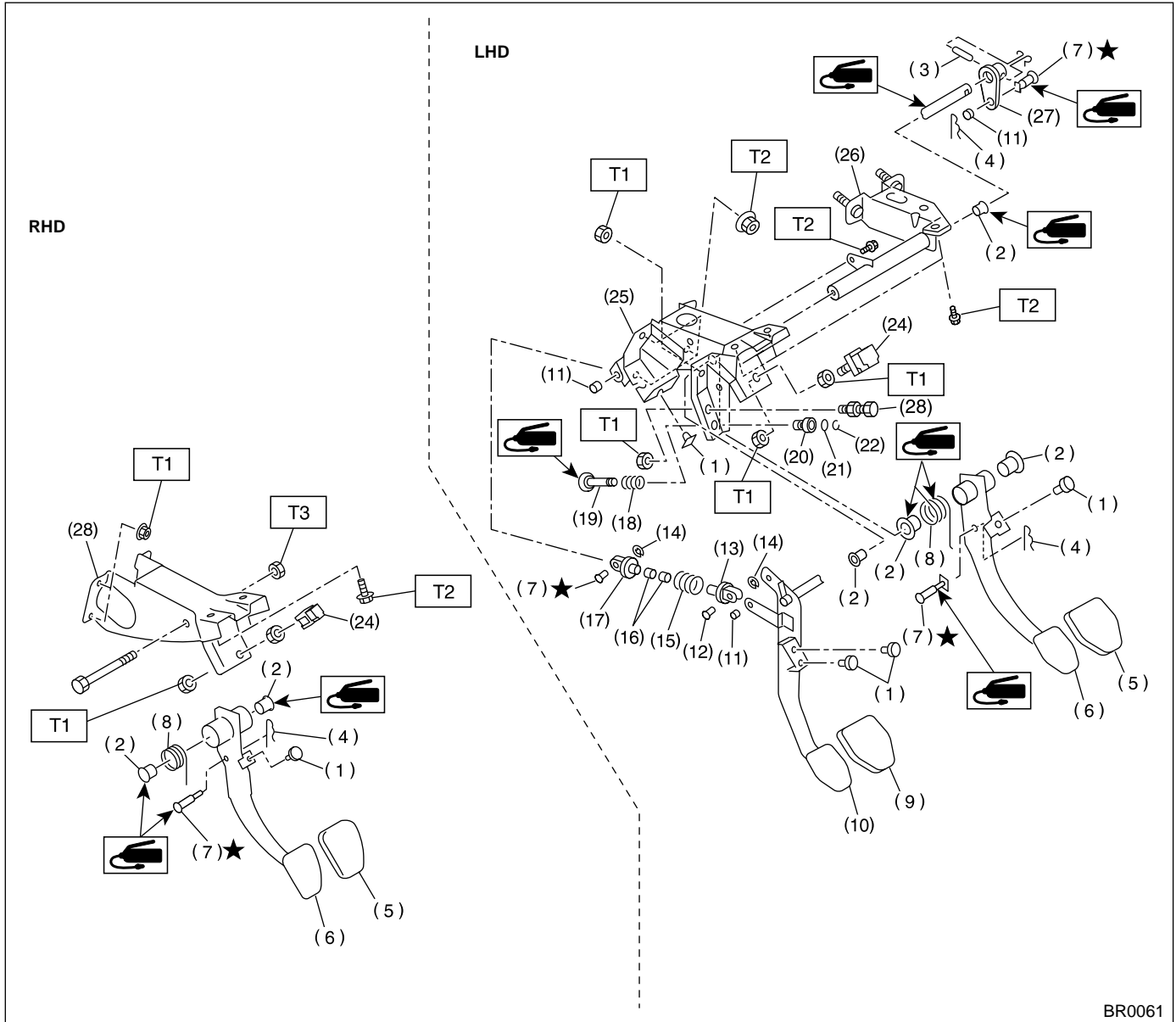
T3: 18 (1.8, 13.0)

T4: 30 (3.1, 22.4)

GENERAL DESCRIPTION

BRAKE

• 2.0 L Model



BR0061

- | | | |
|------------------------|------------------------|--|
| (1) Stopper | (12) Clutch clevis pin | (23) Clutch switch (With cruise control) |
| (2) Bushing | (13) Assist rod A | (24) Stop light switch |
| (3) Spring pin | (14) Clip | (25) Pedal bracket |
| (4) Snap pin | (15) Assist spring | (26) Clutch master cylinder bracket |
| (5) Brake pedal pad | (16) Assist bushing | (27) Lever |
| (6) Brake pedal | (17) Assist rod B | (28) Brake pedal bracket |
| (7) Clevis pin | (18) Spring S | |
| (8) Brake pedal spring | (19) Rod S | |
| (9) Clutch pedal pad | (20) Bushing S | |
| (10) Clutch pedal | (21) O-ring | |
| (11) Bushing C | (22) Clip | |

Tightening torque: N·m (kgf·m, ft·lb)

T1: 8 (0.8, 5.8)

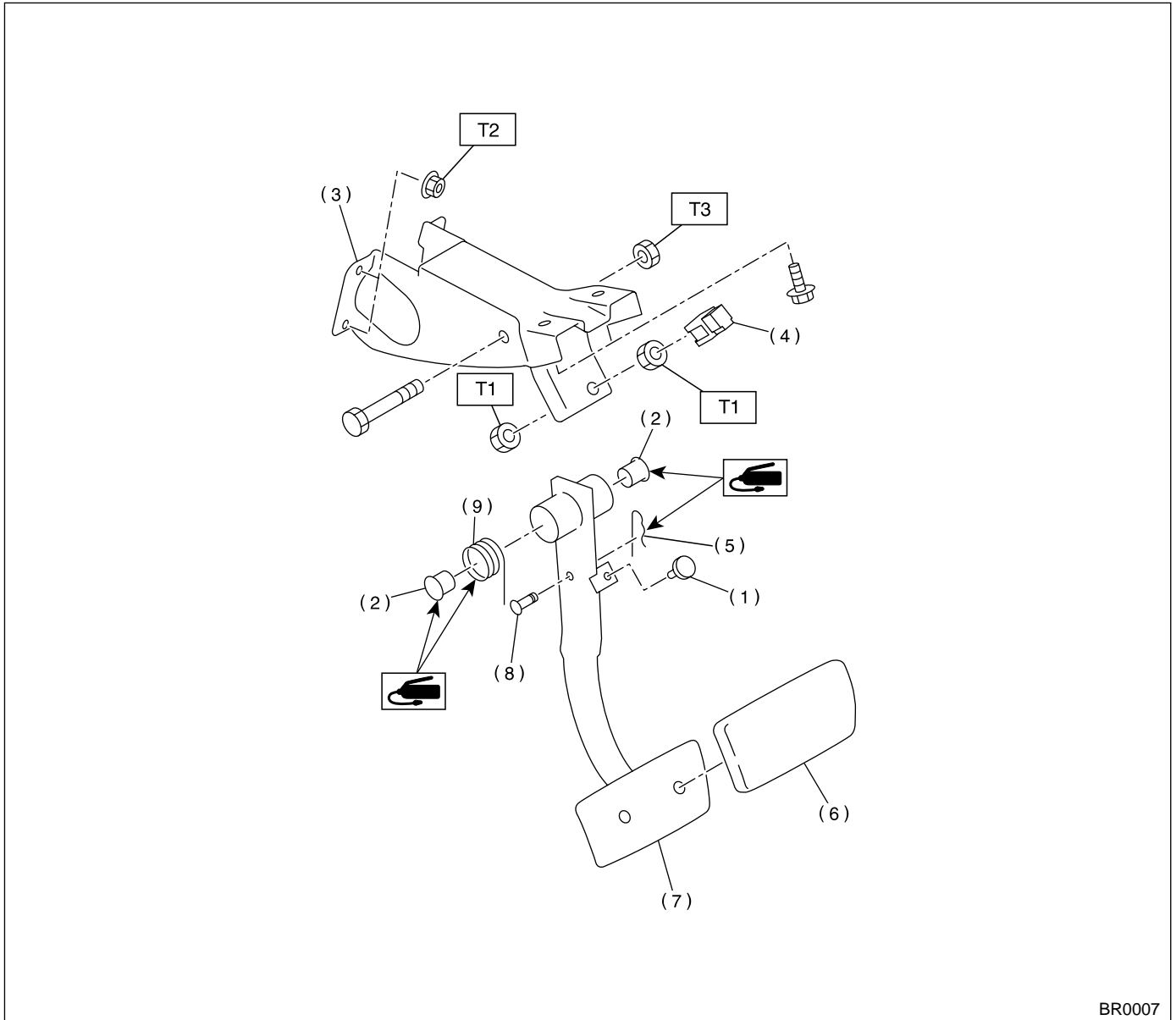
T2: 18 (1.8, 13.0)

T3: 30 (3.1, 22.4)

GENERAL DESCRIPTION

BRAKE

12. BRAKE PEDAL FOR AT MODEL



BR0007

- | | |
|-----------------------|------------------------|
| (1) Stopper | (6) Brake pedal pad |
| (2) Bushing | (7) Brake pedal |
| (3) Pedal bracket | (8) Clevis pin |
| (4) Stop light switch | (9) Brake pedal spring |
| (5) Snap pin | |

Tightening torque: N·m (kgf-m, ft-lb)

T1: 8 (0.8, 5.8)

T2: 18 (1.8, 13.0)

T3: 29 (3.0, 21.7)

C: CAUTION

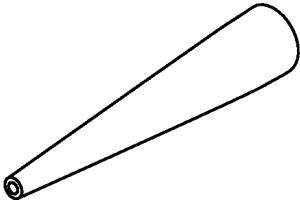
- Wear working clothing, including a cap, protective goggles, and protective shoes during operation.
- Remove contamination including dirt and corrosion before removal, installation or disassembly.
- Keep the disassembled parts in order and protect them from dust or dirt.
- Before removal, installation or disassembly, be sure to clarify the failure. Avoid unnecessary removal, installation, disassembly, and replacement.
- Be careful not to burn your hands, because each part in the vehicle is hot after running.
- Use SUBARU genuine grease etc. or the equivalent. Do not mix grease etc. with that of another grade or from other manufacturers.
- Be sure to tighten fasteners including bolts and nuts to the specified torque.
- Place shop jacks or safety stands at the specified points.
- Apply grease onto sliding or revolution surfaces before installation.
- Before installing O-rings or snap rings, apply sufficient amount of grease to avoid damage and deformation.
- Before securing a part on a vice, place cushioning material such as wood blocks, aluminum plate, or shop cloth between the part and the vice.
- Do not put fluid on body. If the body is tainted, wash away with water.

GENERAL DESCRIPTION

BRAKE

D: PREPARATION TOOL

1. SPECIAL TOOLS

| ILLUSTRATION | TOOL NUMBER | DESCRIPTION | REMARKS |
|--|-------------|----------------------------------|--|
|  <p>B4M2406</p> | 925460000 | WHEEL CYLINDER 11/16" ADAPTER | Used for installing cup onto wheel cylinder piston (Size 11/16 in). |

2. GENERAL PURPOSE TOOLS

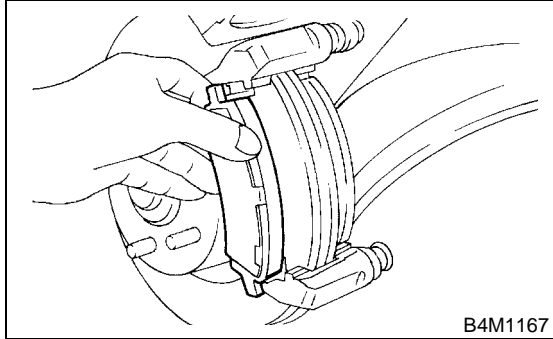
| TOOL NAME | REMARKS |
|------------------|---|
| SNAP RING PLIERS | Used for removing and installing snap ring. |

2. Front Brake Pad

A: REMOVAL

1. 14 INCH AND 15 INCH TYPE

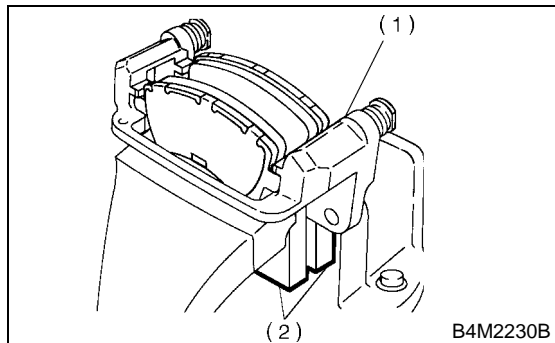
- 1) Set the vehicle on the lift.
- 2) Disconnect ground terminal from battery.
- 3) Loosen wheel nuts.
- 4) Jack-up the vehicle, and remove front wheel.
- 5) Remove lock pin.
- 6) Raise caliper body.
- 7) Remove pad.



NOTE:

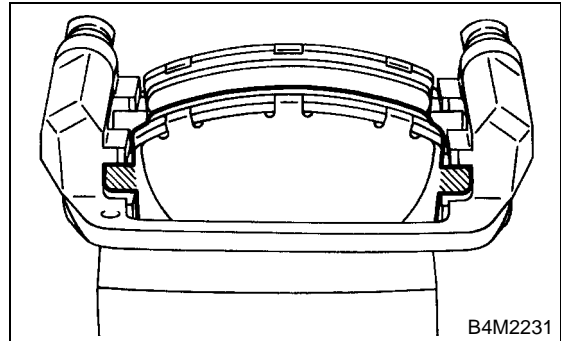
If brake pad is difficult to remove, proceed as follows:

- (1) Remove caliper body and fasten it provisionally to coil spring.
- (2) Remove support.
- (3) Place a support in a vise between wooden blocks.



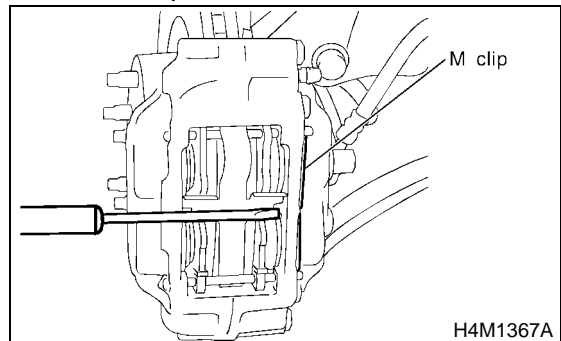
- (1) Support
- (2) Wooden blocks

- (4) Attach a rod of less than 12 mm (0.47 in) dia. to the shaded area of brake pad, and strike the rod with a hammer to drive brake pad out of place.

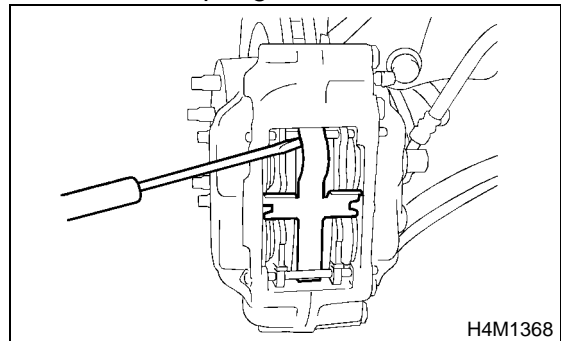


2. 16 INCH TYPE

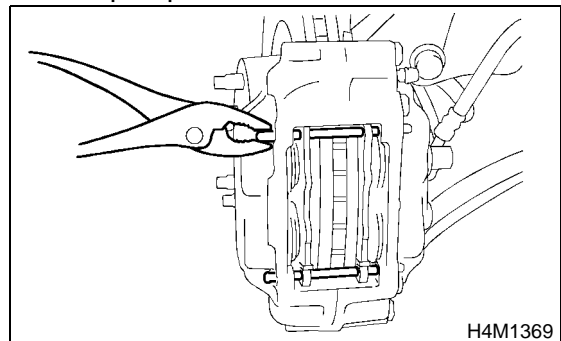
- 1) Set the vehicle on the lift.
- 2) Disconnect ground terminal from battery.
- 3) Loosen wheel nuts.
- 4) Jack-up the vehicle, and remove front wheel.
- 5) Remove M clip.



- 6) Remove cross spring.



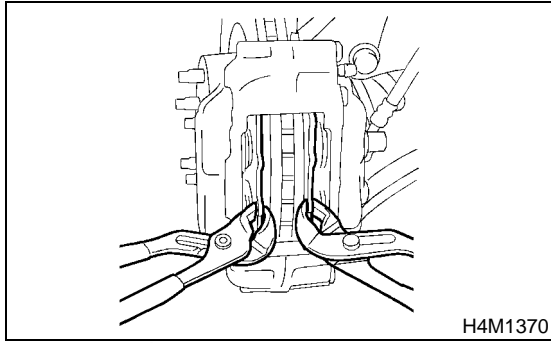
- 7) Remove pad pins.



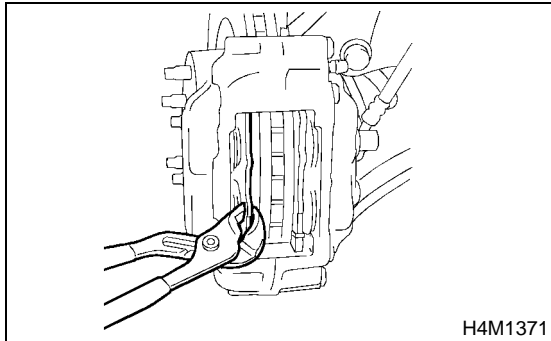
FRONT BRAKE PAD

BRAKE

8) Use a wrench to expand the pads, then push the piston back.



9) Remove pad.

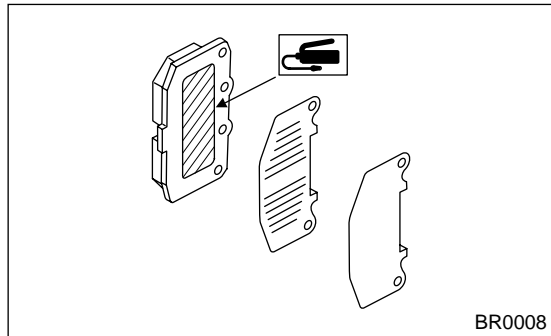


B: INSTALLATION

1. 14 INCH AND 15 INCH TYPE

1) Apply thin coat of Molykote AS880N (Part No. 26298AC000) to the frictional portion between pad and pad clip.

2) Apply thin coat of Molykote AS880N (Part No. 26298AC000) to the frictional portion between pad and pad inner shim.



3) Install pads on support.
4) Install caliper body on support.

Tightening torque:

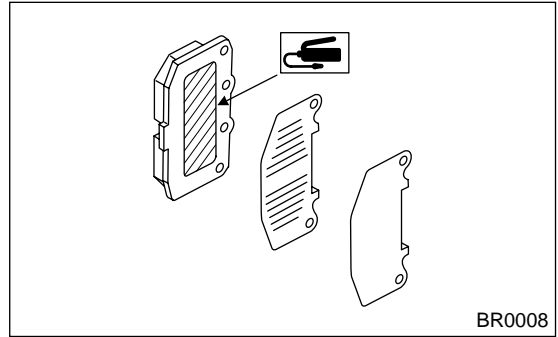
37 N·m (3.8 kgf·m, 27.5 ft·lb)

NOTE:

If it is difficult to push piston during pad replacement, loosen air bleeder to facilitate work.

2. 16 INCH TYPE

1) Apply thin coat of Molykote AS880N (Part No.26298AC000) to the frictional portion between pad and pad inner shim.

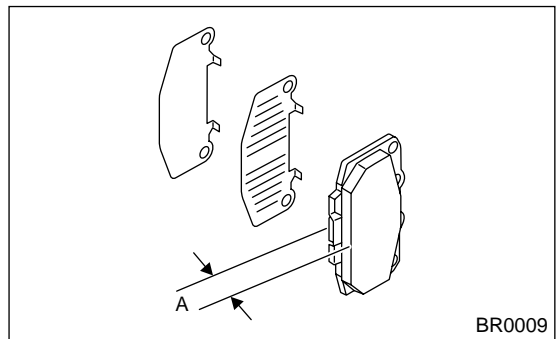


2) Install pads on caliper body.
3) Install pad pins on caliper body.
4) Install M clip.
5) Install cross spring.

C: INSPECTION

1. 14 INCH AND 15 INCH TYPE

Check pad thickness A.



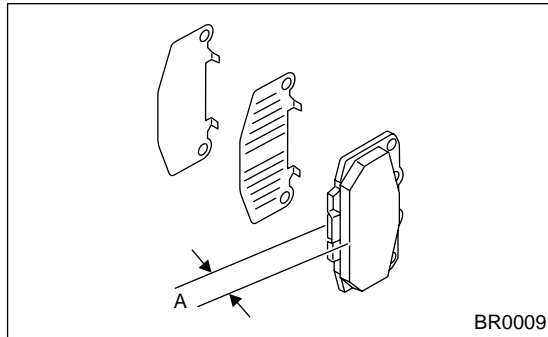
| | | |
|--|----------------|-------------------|
| Pad thickness (including back metal) | Standard value | 17 mm (0.67 in) |
| | Wear limit | 7.5 mm (0.295 in) |

CAUTION:

- Always replace the pads for both the left and right wheels at the same time. Also replace pad clips if they are twisted or worn.
- A wear indicator is provided on the inner disc brake pad. If the pad wears down to such an extent that the end of the wear indicator contacts the disc rotor, a squeaking sound is produced as the wheel rotates. If this sound is heard, replace the pad.
- Replace pad if there is oil or grease on it.

2. 16 INCH TYPE

Check pad thickness A.



| | | |
|--|----------------|--------------------|
| Pad thickness (including back metal) | Standard value | 14.5 mm (0.571 in) |
| | Wear limit | 6.0 mm (0.236 in) |

CAUTION:

- Always replace the pads for both the left and right wheels at the same time. Also replace pad clips if they are twisted or worn.
- A wear indicator is provided on the inner disc brake pad. If the pad wears down to such an extent that the end of the wear indicator contacts the disc rotor, a squeaking sound is produced as the wheel rotates. If this sound is heard, replace the pad.
- Replace pad if there is oil or grease on it.

FRONT DISC ROTOR

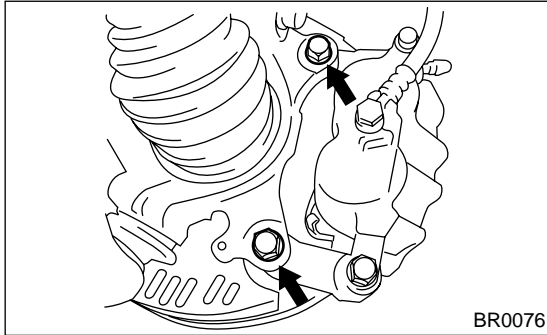
BRAKE

3. Front Disc Rotor

A: REMOVAL

1. 14 INCH AND 15 INCH TYPE

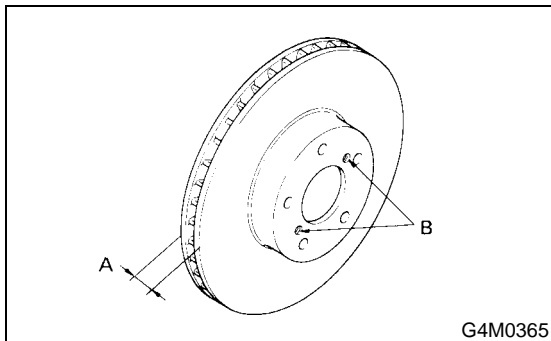
- 1) Set the vehicle on the lift.
- 2) Disconnect ground terminal from battery.
- 3) Loosen wheel nuts.
- 4) Jack-up the vehicle, and remove front wheel.
- 5) Remove caliper body from housing, and suspend it from strut using a wire.



- 6) Remove the disc rotor.

NOTE:

If disc rotor seizes up within the hub, drive disc rotor out by installing an 8-mm bolt in holes B on the rotor.

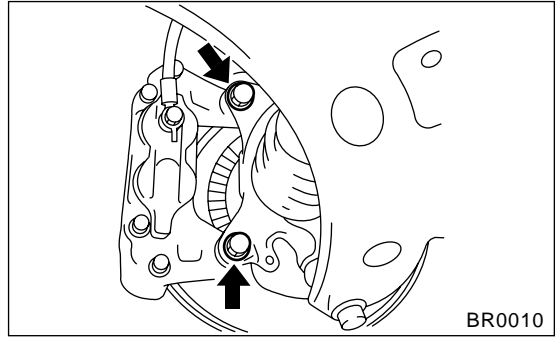


- 7) Clean mud and foreign particles from caliper body assembly and support.

2. 16 INCH TYPE

- 1) Set the vehicle on the lift.
- 2) Disconnect ground terminal from battery.
- 3) Loosen wheel nut.
- 4) Jack-up vehicle, and remove front wheel.

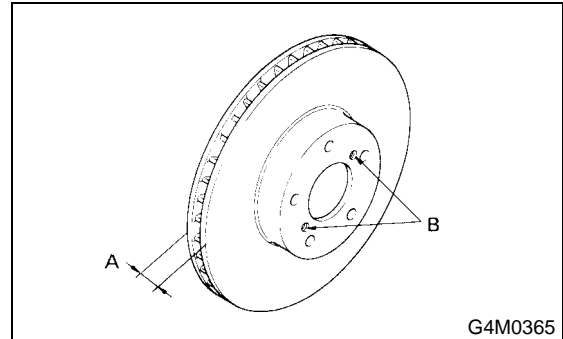
- 5) Remove caliper body from housing and suspend from strut using a wire.



- 6) Remove disc rotor from hub.

NOTE:

If disc rotor seizes up within the hub, drive disc rotor out by installing an 8-mm bolt in holes B on the rotor.



- 7) Clean mud and foreign particles from caliper body assembly and support.

B: INSTALLATION

- 1) Install the disc rotor.
- 2) Install caliper body on housing.

Tightening torque:

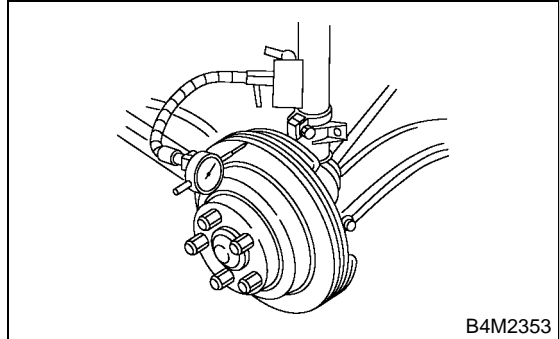
80 N·m (8.2 kgf·m, 59 ft·lb)

CAUTION:

- Always replace the pads for both the left and right wheels at the same time. Also replace pad clips if they are twisted or worn.
 - A wear indicator is provided on the inner disc brake pad. If the pad wears down to such an extent that the end of the wear indicator contacts the disc rotor, a squeaking sound is produced as the wheel rotates. If this sound is heard, replace the pad.
 - When replacing the pad, replace pads of the left and right wheels at the same time.
- 3) Install the wheel.

C: INSPECTION

- 1) Install disc rotor by tightening the five wheel nuts.
- 2) Set a dial gauge on the disc rotor. Turn disc rotor to check runout.



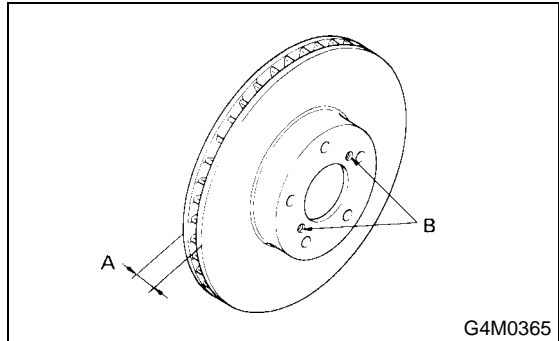
NOTE:

Make sure that dial gauge is set 5 mm (0.20 in) inward of rotor outer perimeter.

Disc rotor runout limit:

0.075 mm (0.0030 in)

- 3) Measure disc rotor thickness.



NOTE:

Make sure that micrometer is set 5 mm (0.20 in) inward of rotor outer perimeter.

| | | Standard value | Service limit | Disc outer dia. |
|------------------------|-----|-----------------------|-----------------------|----------------------|
| Disc rotor thickness A | 14" | 24.0 mm (0.945 in) | 22.0 mm (0.866 in) | 260 mm (10.24 in) |
| | 15" | 24.0 mm (0.945 in) | 22.0 mm (0.866 in) | 277 mm (10.91 in) |
| | 16" | 24.0 mm (0.945 in) | 22.0 mm (0.866 in) | 294 mm (11.57 in) |

FRONT DISC BRAKE ASSEMBLY

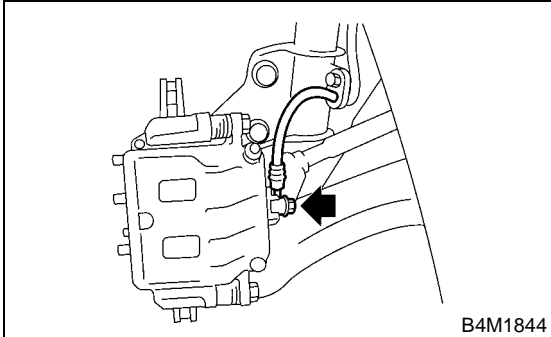
BRAKE

4. Front Disc Brake Assembly

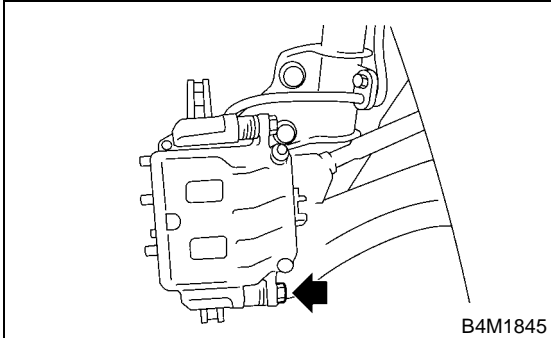
A: REMOVAL

1. 14 INCH AND 15 INCH TYPE

- 1) Set the vehicle on the lift.
- 2) Disconnect ground terminal from battery.
- 3) Loosen wheel nuts.
- 4) Jack-up the vehicle, and remove front wheel.
- 5) Remove union bolt and disconnect brake hose from caliper body assembly.



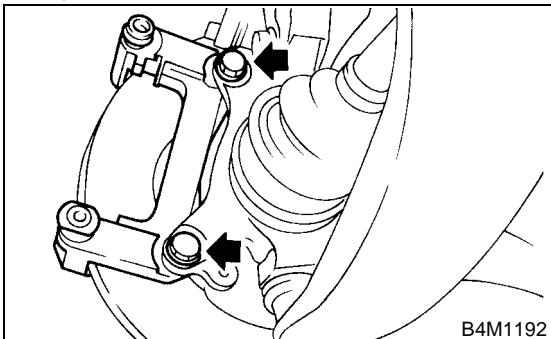
- 6) Remove bolt securing lock pin to caliper body.



- 7) Raise caliper body and move it toward vehicle center to separate it from support.
- 8) Remove support from housing.

NOTE:

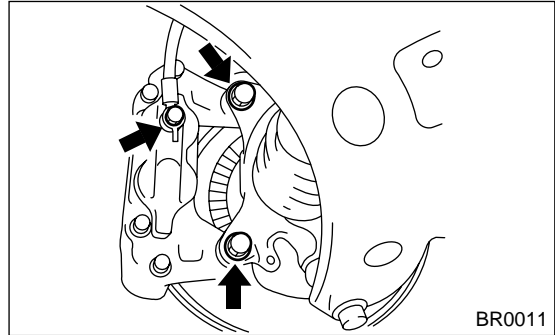
Remove support only when replacing it or the rotor. It need not be removed when servicing caliper body assembly.



- 9) Clean mud and foreign particles from caliper body assembly and support.

2. 16 INCH TYPE

- 1) Set the vehicle on the lift.
- 2) Disconnect ground terminal from battery.
- 3) Loosen wheel nuts.
- 4) Jack-up the vehicle, and remove front wheel.
- 5) Remove union bolt and disconnect brake hose from caliper body assembly.
- 6) Remove caliper body from housing.



- 7) Clean mud and foreign particles from caliper body assembly and support.

B: INSTALLATION

1. 14 INCH AND 15 INCH TYPE

1) Install support on housing.

Tightening torque:

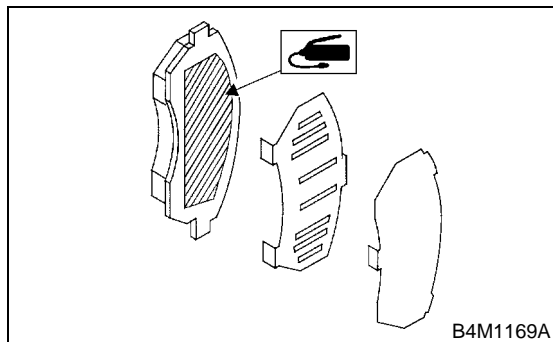
80 N·m (8.2 kgf·m, 59 ft·lb)

CAUTION:

- Always replace the pads for both the left and right wheels at the same time. Also replace pad clips if they are twisted or worn.
- A wear indicator is provided on the inner disc brake pad. If the pad wears down to such an extent that the end of the wear indicator contacts the disc rotor, a squeaking sound is produced as the wheel rotates. If this sound is heard, replace the pad.
- When replacing the pads, replace pads of the right and left wheels at the same time.

2) Apply thin coat of Molykote AS880N (Part No. 26298AC000) to the frictional portion between pad and pad clip.

3) Apply thin coat of Molykote AS880N (Part No. 26298AC000) to the frictional portion between pad and inner shim.



4) Install pads on support.

5) Install caliper body on support.

Tightening torque:

37 N·m (3.8 kgf·m, 27.5 ft·lb)

6) Connect brake hose.

Tightening torque:

18 N·m (1.8 kgf·m, 13.0 ft·lb)

CAUTION:

Replace brake hose gaskets with new ones.

7) Bleed air from brake system.

2. 16 INCH TYPE

1) Install caliper body on housing.

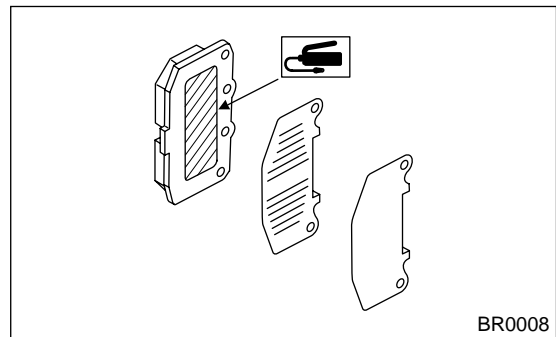
Tightening torque:

80 N·m (8.2 kgf·m, 59 ft·lb)

CAUTION:

- Always replace the pads for both the left and right wheels at the same time. Also replace pad clips if they are twisted or worn.
- A wear indicator is provided on the inner disc brake pad. If the pad wears down to such an extent that the end of the wear indicator contacts the disc rotor, a squeaking sound is produced as the wheel rotates. If this sound is heard, replace the pad.
- When replacing the pads, replace pads of the right and left wheels at the same time.

2) Apply thin coat of Molykote AS880N (Part No. 26298AC000) to the frictional portion between pad and pad inner shim.



3) Install pads on caliper body.

4) Install pad pins on caliper body.

5) Install M clip.

6) Install cross spring.

7) Install caliper body on housing.

Tightening torque:

52 N·m (5.3 kgf·m, 38.3 ft·lb)

8) Connect brake hose.

Tightening torque:

18 N·m (1.8 kgf·m, 13.0 ft·lb)

CAUTION:

Replace brake hose gaskets with new ones.

9) Bleed air from brake system.

FRONT DISC BRAKE ASSEMBLY

BRAKE

C: DISASSEMBLY

1. 14 INCH TYPE

1) Clean mud and foreign particles from caliper body assembly and support.

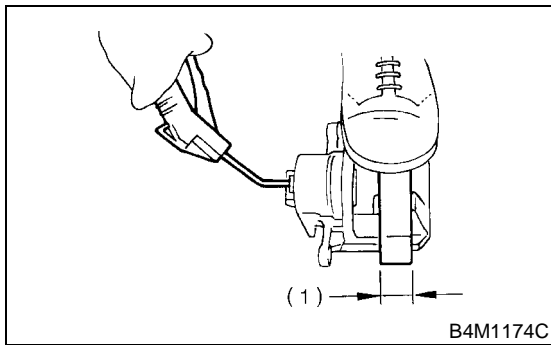
CAUTION:

Be careful not to allow foreign particles to enter inlet (at brake hose connector).

2) Gradually supply compressed air via caliper body brake hose to force piston out.

CAUTION:

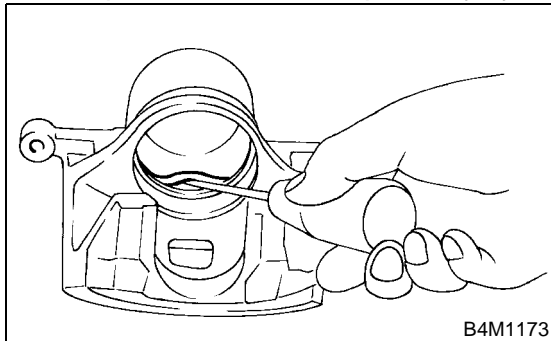
- Place a wooden block as shown in Figure to prevent damage to piston.
- Do not apply excessively high-pressure.



(1) Place a 30 mm (1.18 in) wide wooden block here.

3) Remove piston boot.

4) Remove piston seal from caliper body cylinder.



5) Remove guide pin and boot from caliper body.

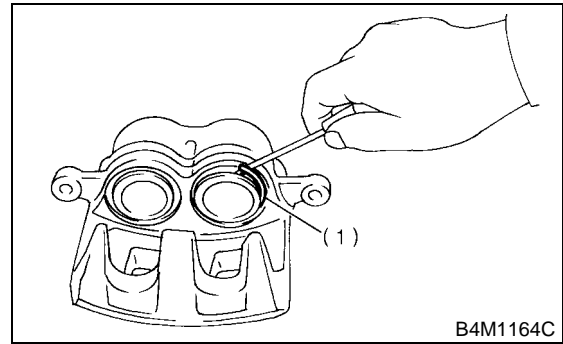
2. 15 INCH TYPE

1) Clean mud and foreign particles from caliper body assembly and support.

CAUTION:

Be careful not to allow foreign particles to enter inlet (at brake hose connector).

2) Using a standard screwdriver, remove boot ring from piston.



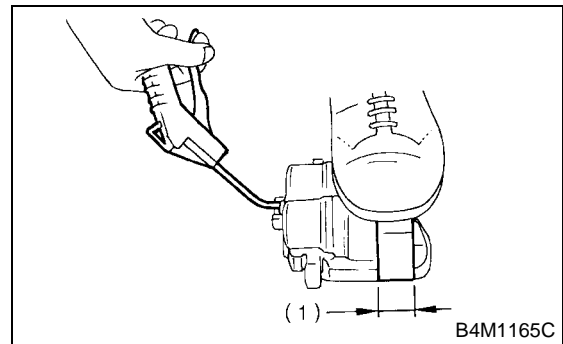
(1) Boot ring

3) Remove boot from piston end.

4) Gradually supply compressed air via caliper body brake hose to force piston out.

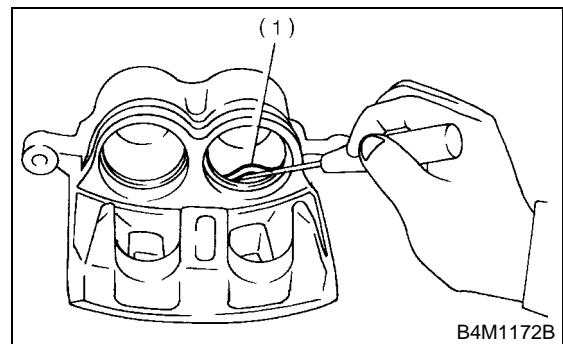
CAUTION:

Place a wooden block as shown in Figure to prevent damage to piston.



(1) Place a 30 mm (1.18 in) wide wooden block here.

5) Remove piston seal from caliper body cylinder.



(1) Piston pin

6) Remove lock pin boot and guide pin boot.

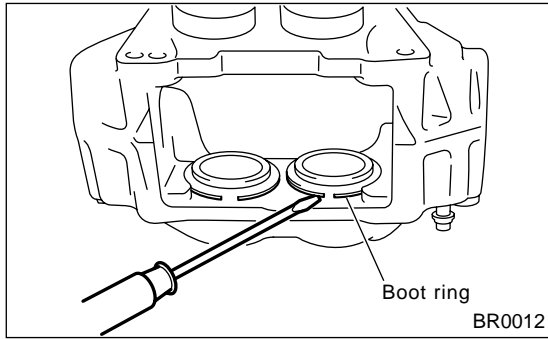
3. 16 INCH TYPE

1) Clean mud and foreign particles from caliper body assembly.

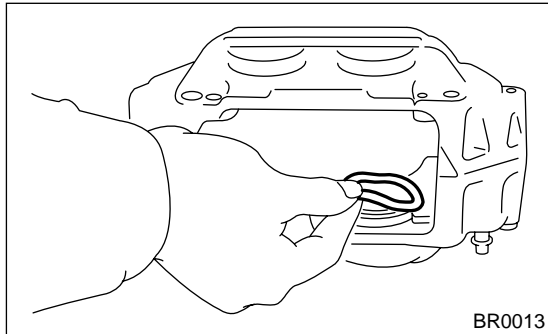
CAUTION:

Be careful not to allow foreign particles to enter inlet (at brake hose connector).

2) Using a standard screwdriver, remove boot ring from piston.



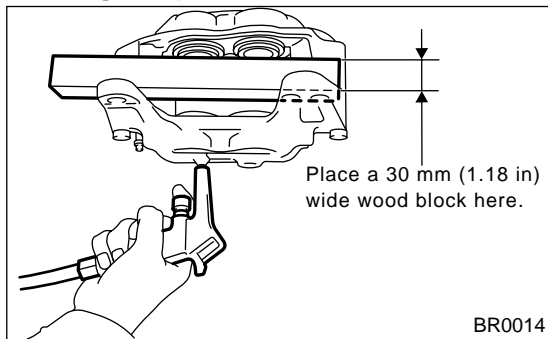
3) Remove boot from piston end.



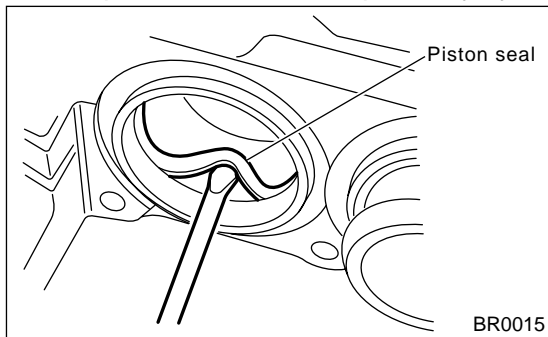
4) Gradually supply compressed air via caliper body brake hose to force piston out.

CAUTION:

Place a wooden block as shown in figure to prevent damage to piston.



5) Remove piston seal from caliper body cylinder.



D: ASSEMBLY

1. 14 INCH TYPE

- 1) Clean caliper body interior using brake fluid.
- 2) Apply a coat of brake fluid to piston seal and fit piston seal in groove on caliper body.
- 3) Apply a coat of brake fluid to the entire inner surface of cylinder and outer surface of piston.
- 4) Apply a coat of specified grease to boot and fit in groove on ends of cylinder and install piston boot onto cylinder.

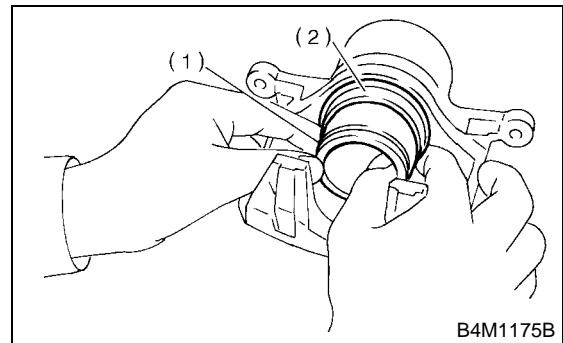
Grease:

NIGLUBE RX-2 (Part No. 003606000)

- 5) Insert piston into cylinder.

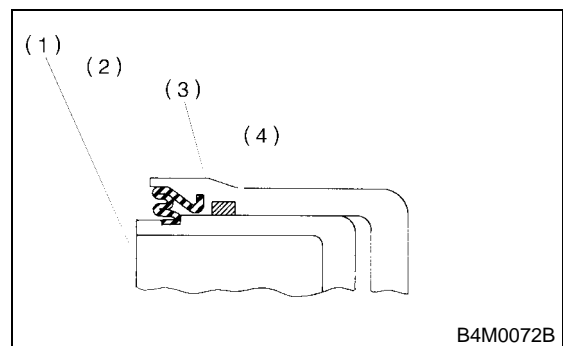
CAUTION:

Do not force piston into cylinder.



- (1) Piston
- (2) Piston boot

6) Position boot in grooves on cylinder and piston.



- (1) Piston
- (2) Piston boot
- (3) Caliper body
- (4) Piston seal

7) Apply a coat of specified grease to lock pin and guide pin outer surface, cylinder inner surface, and boot grooves.

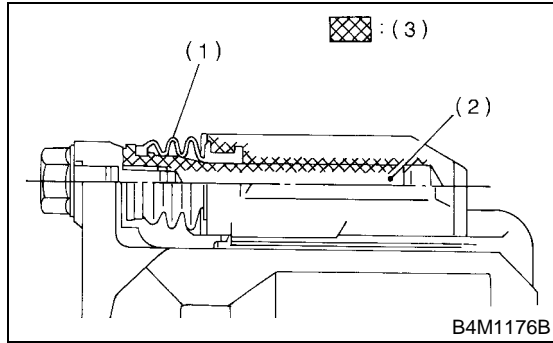
Grease:

NIGLUBE RX-2 (Part No. 003606000)

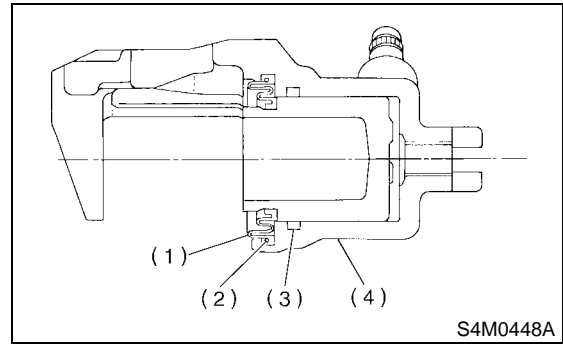
FRONT DISC BRAKE ASSEMBLY

BRAKE

8) Install lock and guide pin boot on support.



- (1) Pin boot
- (2) Lock pin or guide pin
- (3) Apply grease.



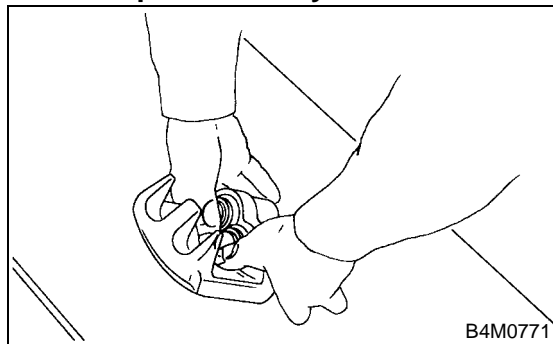
- (1) Piston boot
- (2) Boot ring
- (3) Piston seal
- (4) Caliper body

2. 15 INCH TYPE

- 1) Clean caliper body interior using brake fluid.
- 2) Apply a coat of brake fluid to piston seal and fit piston seal in groove on caliper body.
- 3) Apply a coat of brake fluid to the entire inner surface of cylinder and outer surface of piston.
- 4) Insert piston into cylinder.

CAUTION:

Do not force piston into cylinder.



- 5) Apply a coat of specified grease to boot and fit in groove on ends of cylinder and piston.

Grease:

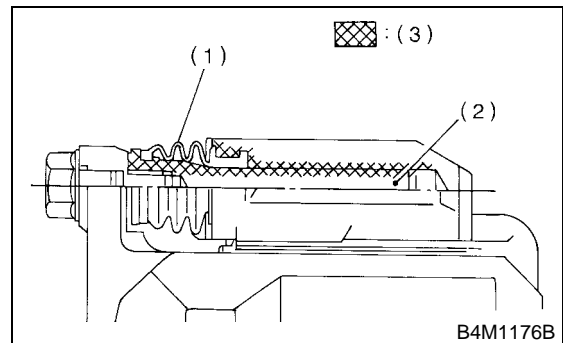
NIGLUBE RX-2 (Part No. 003606000)

To facilitate installation, fit boot starting with piston end.

- 6) Position boot in grooves on cylinder and piston.
- 7) Install boot ring. Be careful not scratch boot.
- 8) Apply a coat of specified grease to lock pin and guide pin, outer surface, cylinder inner surface, and boot grooves.

Grease:

NIGLUBE RX-2 (Part No. 003606000)



- (1) Pin boot
- (2) Lock pin or guide pin
- (3) Apply grease.

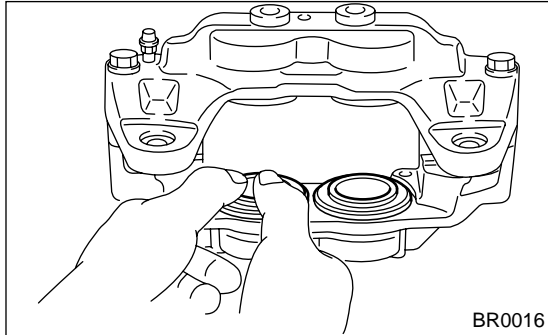
- 9) Install lock pin boot and guide pin boot on support.

3. 16 INCH TYPE

- 1) Clean caliper body interior using brake fluid.
- 2) Apply a coat of brake fluid to piston seal and fit piston seal in groove on caliper body.
- 3) Apply a coat of brake fluid to the entire inner surface of cylinder and outer surface of piston.
- 4) Insert piston into cylinder.

CAUTION:

Do not force piston into cylinder.

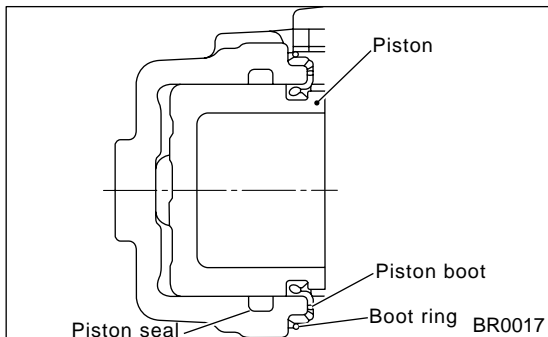


- 5) Apply a coat of specified grease to boot and fit in groove on ends of cylinder and piston.

Grease:

NIGLUBE RX-2 (Part No. 003606000)

To facilitate installation, fit boot starting with piston end.



- 6) Position boot in grooves on cylinder and piston.
- 7) Install boot ring. Be careful not scratch boot.

E: INSPECTION

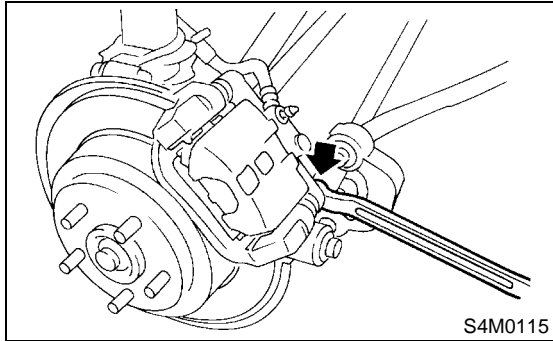
- 1) Repair or replace faulty parts.
- 2) Check caliper body and piston for uneven wear, damage or rust.
- 3) Check rubber parts for damage or deterioration.

5. Rear Brake Pad

A: REMOVAL

1. 14 INCH TYPE

- 1) Set the vehicle on the lift.
- 2) Disconnect ground terminal from battery.
- 3) Loosen wheel nuts.
- 4) Jack-up the vehicle, and remove rear wheel.
- 5) Remove lock pin.

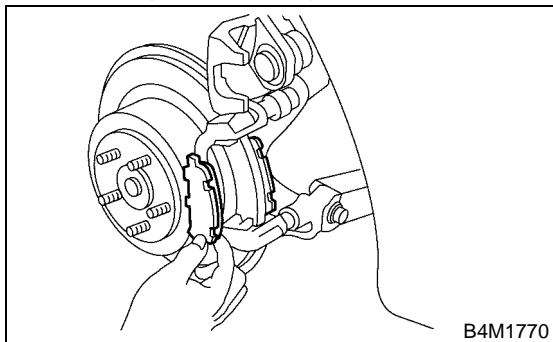


- 6) Raise caliper body.
- 7) Remove pad from support.

NOTE:

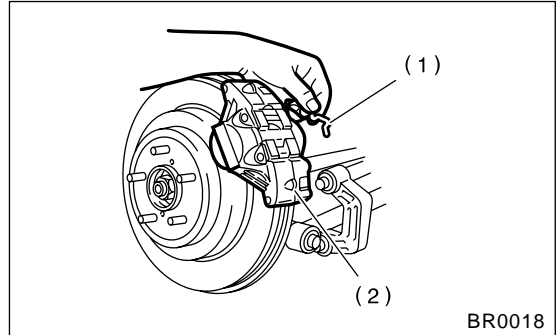
If brake pad is difficult to remove, use the same procedure as for front disc brake pad.

<Ref. to BR-23, REMOVAL, Front Brake Pad.>



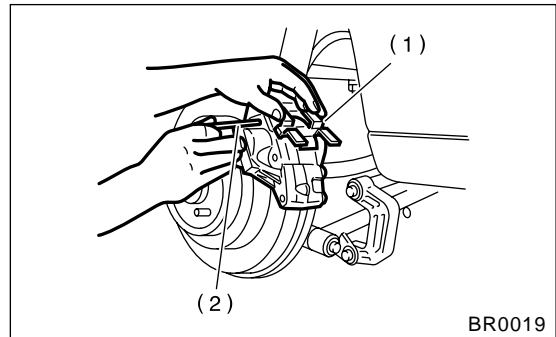
2. 15 INCH TYPE

- 1) Set the vehicle on the lift.
- 2) Disconnect ground terminal from battery.
- 3) Loosen wheel nuts.
- 4) Jack-up the vehicle, and remove front wheel.
- 5) Remove M clip.



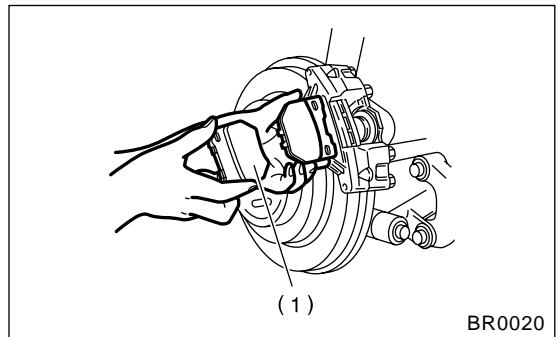
- (1) M clip
- (2) Caliper

- 6) Remove two pad pins.
- 7) Remove cross spring.



- (1) Cross spring
- (2) Pad pin

- 8) Expand the pads and push the piston back.
- 9) Remove pad and shim.



- (1) Brake pad

B: INSTALLATION

1. 14 INCH TYPE

1) Apply thin coat of Molykote AS880N (Part No. 26298AC000) to the frictional portion between pad and pad clip.

2) Install pad on support.

3) Install caliper body on support.

Tightening torque:

39 N·m (4.0 kgf·m, 28.9 ft·lb)

NOTE:

If it is difficult to push piston during pad replacement, loosen air bleeder to facilitate work.

2. 15 INCH TYPE

1) Apply thin coat of Molykote AS880N (Part No. 26298AC000) to frictional portion between pad and pad inner shim.

2) Install pads on caliper body.

3) Install cross spring.

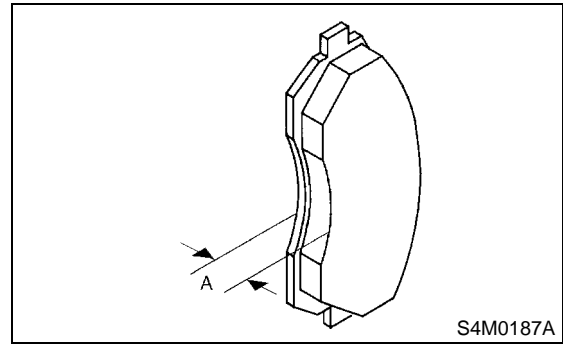
4) Install pad pins on caliper body.

5) Install M clip.

C: INSPECTION

1. 14 INCH TYPE

Check pad thickness A.



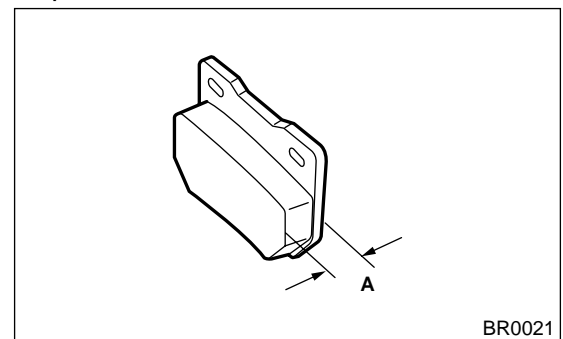
| | | |
|--------------------------------------|----------------|--------------------|
| Pad thickness (including back metal) | Standard value | 14.0 mm (0.551 in) |
| | Wear limit | 6.5 mm (0.256 in) |

CAUTION:

- Always replace the pads for both the left and right wheels at the same time. Also replace pad clips if they are twisted or worn.
- A wear indicator is provided on the inner disc brake pad. If the pad wears down to such an extent that the end of the wear indicator contacts the disc rotor, a squeaking sound is produced as the wheel rotates. If this sound is heard, replace the pad.
- Replace pad if there is oil or grease on it.

2. 15 INCH TYPE

Check pad thickness A.



| | | |
|--------------------------------------|----------------|-------------------|
| Pad thickness (including back metal) | Standard value | 16 mm (0.63 in) |
| | Wear limit | 6.0 mm (0.236 in) |

CAUTION:

- Always replace the pads for both the left and right wheels at the same time. Also replace pad clips if they are twisted or worn.
- A wear indicator is provided on the inner disc brake pad. If the pad wears down to such an extent that the end of the wear indicator contacts the disc rotor, a squeaking sound is produced

REAR BRAKE PAD

BRAKE

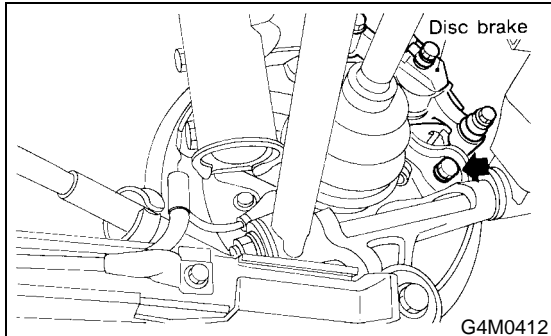
as the wheel rotates. If this sound is heard, replace the pad.

- Replace pad if there is oil or grease on it.

6. Rear Disc Rotor

A: REMOVAL

- 1) Lift-up vehicle and remove wheels.
- 2) Remove the two mounting bolts and remove the disc brake assembly.

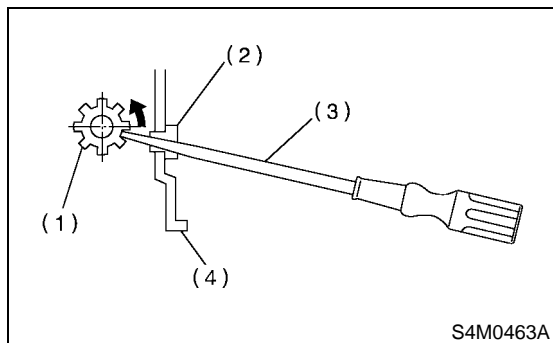


- 3) Suspend the disc brake assembly so that the hose is not stretched.
- 4) Pull down and release parking brake.
- 5) Remove the disc rotor.

NOTE:

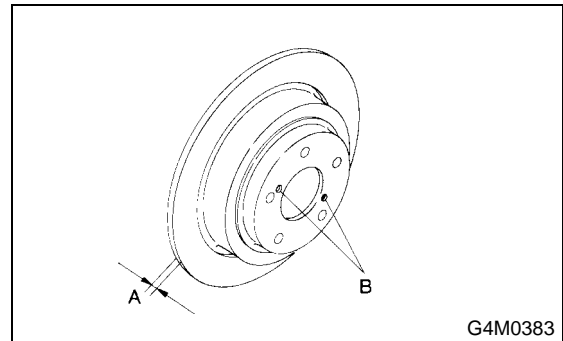
If the disc rotor is difficult to remove try the following two methods in order.

- (1) Turn adjusting screw using a slot-type screwdriver until brake shoe gets away enough from the disc rotor.



- (1) Adjusting screw
- (2) Cover
- (3) Slot-type screwdriver
- (4) Back plate

- (2) If disc rotor seizes up within hub, drive disc rotor out by installing an 8-mm bolt in holes B on the rotor.



REAR DISC ROTOR

BRAKE

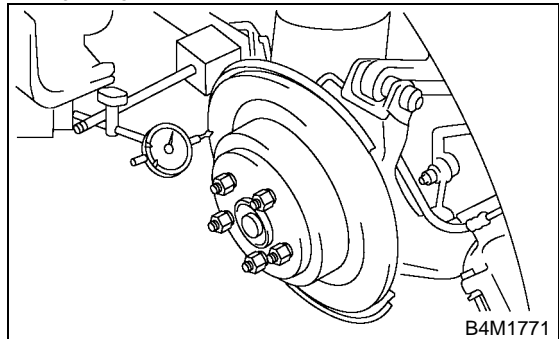
B: INSTALLATION

- 1) Install in the reverse order of removal.
- 2) Adjust parking brake. <Ref. to PB-11, ADJUSTMENT, Parking Brake Assembly (Rear Disc Brake).>

C: INSPECTION

- 1) Set a dial gauge on the disc rotor. Turn disc rotor to check runout.

CAUTION:
Securely adjust disc rotor to hub.

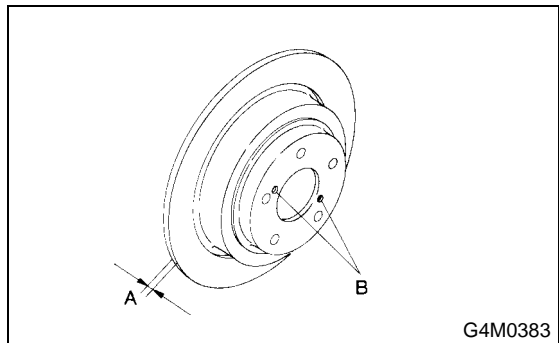


NOTE:

Make sure that dial gauge is set 5 mm (0.20 in) inward of rotor outer perimeter.

Disc rotor runout limit:
0.075 mm (0.0030 in)

- 2) Measure disc rotor thickness.



NOTE:

Make sure that micrometer is set 5 mm (0.20 in) inward of rotor outer perimeter.

Disc rotor thickness: A (14inch type)

Standard value

10 mm (0.39 in)

Service limit

8.5 mm (0.335 in)

Disc rotor thickness: A (15inch type)

Standard value

18 mm (0.71 in)

Service limit

16 mm (0.63 in)

7. Rear Disc Brake Assembly

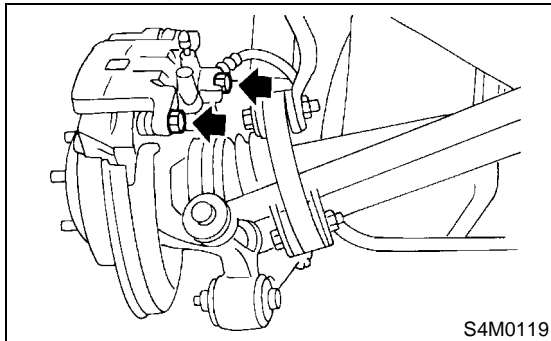
A: REMOVAL

1. 14 INCH TYPE

CAUTION:

Do not allow brake fluid to come in contact with vehicle body; wipe off completely if spilled.

- 1) Set the vehicle on the lift.
- 2) Disconnect ground terminal from battery.
- 3) Loosen wheel nuts.
- 4) Lift-up vehicle and remove wheels.
- 5) Disconnect brake hose from caliper body assembly.
- 6) Remove lock pin.



- 7) Raise caliper body and move it toward vehicle center to separate it from support.
- 8) Remove support from back plate.

NOTE:

Remove support only when replacing it or the rotor. It need not be removed when servicing caliper body assembly.

- 9) Clean mud and foreign particles from caliper body assembly and support.

CAUTION:

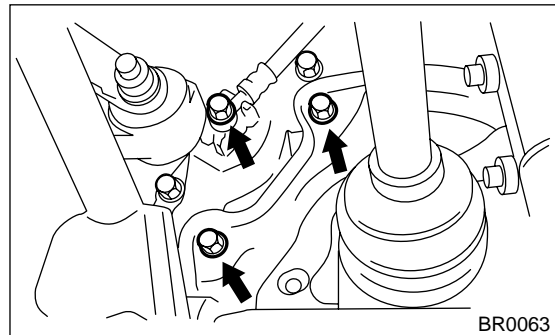
Be careful not to allow foreign particles to enter inlet (at brake hose connector).

2. 15 INCH TYPE

CAUTION:

Do not allow brake fluid to come in contact with vehicle body; wipe off completely if spilled.

- 1) Set the vehicle on the lift.
- 2) Disconnect ground terminal from battery.
- 3) Loosen wheel nuts.
- 4) Lift-up vehicle and remove wheels.
- 5) Remove pads from caliper body. <Ref. to BR-34, REMOVAL, Rear Brake Pad.>
- 6) Disconnect brake hose from caliper body assembly.
- 7) Remove caliper body from housing.



- 8) Remove disc rotor from hub.
- 9) Clean mud and foreign particles from caliper body assembly and support.

CAUTION:

Be careful not to allow foreign particles to enter inlet (at brake hose connector).

REAR DISC BRAKE ASSEMBLY

BRAKE

B: INSTALLATION

1. 14 INCH TYPE

- 1) Install disc rotor on hub.
- 2) Install support on back plate.

Tightening torque:

52 N·m (5.3 kgf-m, 38.3 ft-lb)

CAUTION:

- Always replace the pads for both the left and right wheels at the same time. Also replace pad clips if they are twisted or worn.
- A wear indicator is provided on the inner disc brake pad. If the pad wears down to such an extent that the end of the wear indicator contacts the disc rotor, a squeaking sound is produced as the wheel rotates. If this sound is heard, replace the pad.
- Replace pads if there is oil or grease on them.

3) Apply thin coat of Molykote AS880N (Part No. 26298AC000) to the frictional portion between pad and pad clip.

- 4) Install pads on support.
- 5) Install caliper body on support.

Tightening torque:

37 N·m (3.8 kgf-m, 27.5 ft-lb)

- 6) Connect brake hose.

Tightening torque:

18 N·m (1.8 kgf-m, 13.0 ft-lb)

CAUTION:

- The brake hose must be connected without any twist.
- Replace brake hose gaskets with new ones.

- 7) Bleed air from brake system.

2. 15 INCH TYPE

- 1) Install disc rotor on hub.
- 2) Install caliper body on housing.

Tightening torque:

52 N·m (5.3 kgf-m, 38.3 ft-lb)

CAUTION:

- Always replace the pads for both the left and right wheels at the same time. Also replace pad clips if they are twisted or worn.
- A wear indicator is provided on the inner disc brake pad. If the pad wears down to such an extent that the end of the wear indicator contacts the disc rotor, a squeaking sound is produced as the wheel rotates. If this sound is heard, replace the pad.
- Replace pads if there is oil or grease on them.

3) Apply thin coat of Molykote AS880N (Part No. 26298AC000) to the frictional portion between pad and pad clip.

4) Install pads on caliper body.

5) Connect brake hose.

Tightening torque:

18 N·m (1.8 kgf-m, 13.0 ft-lb)

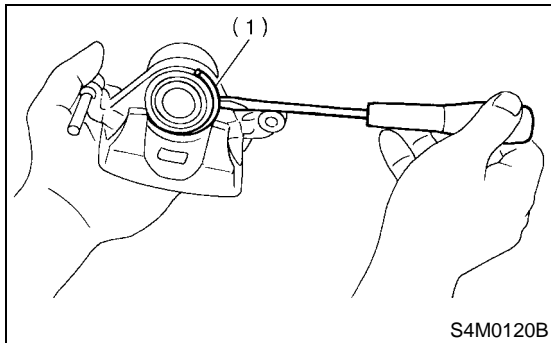
CAUTION:

- The brake hose must be connected without any twist.
 - Replace brake hose gaskets with new ones.
- 6) Bleed air from brake system.

C: DISASSEMBLY

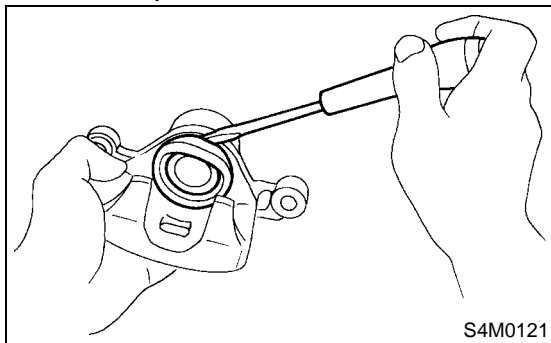
1. 14 INCH TYPE

1) Remove the boot ring.



(1) Boot ring

2) Remove the piston boot.

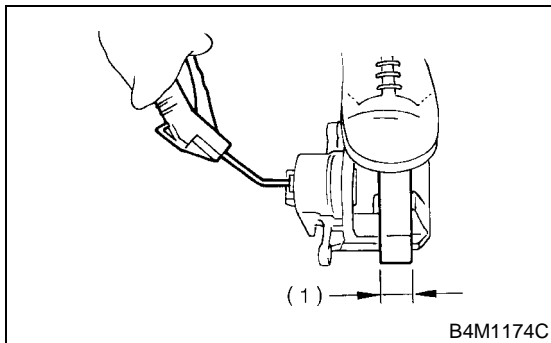


S4M0121

3) Gradually supply compressed air via inlet of caliper body to force piston out.

CAUTION:

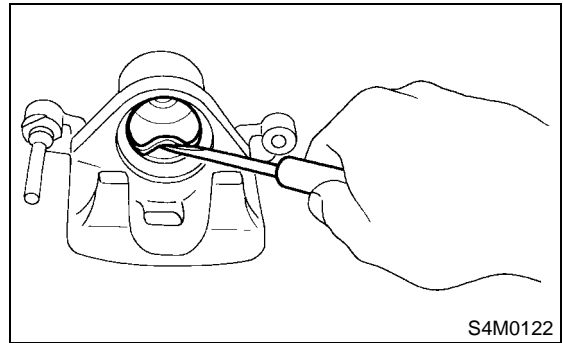
- Place a wooden block as shown in Figure to prevent damage to piston.
- Do not apply excessively high-pressure.



B4M1174C

(1) Place a 30 mm (1.18 in) wide wooden block here.

4) Remove piston seal from caliper body cylinder.



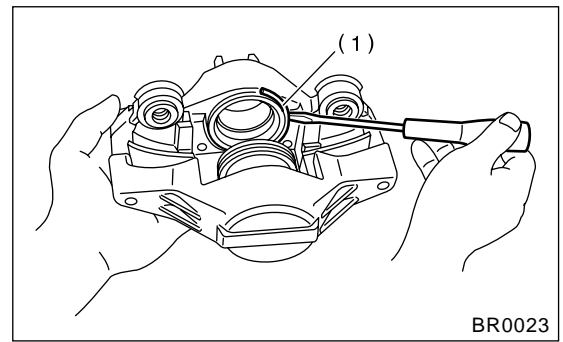
S4M0122

5) Remove lock pin sleeve and boot from caliper body.

6) Remove guide pin boot.

2. 15 INCH TYPE

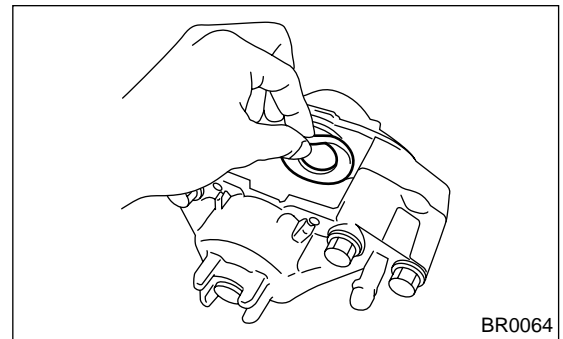
1) Remove the boot ring.



BR0023

(1) Boot ring

2) Remove the piston boot.



BR0064

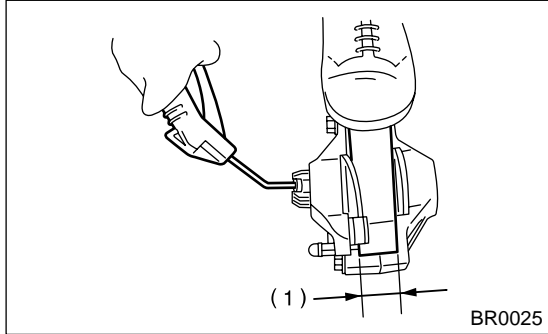
REAR DISC BRAKE ASSEMBLY

BRAKE

3) Gradually supply compressed air via inlet of caliper body to force piston out.

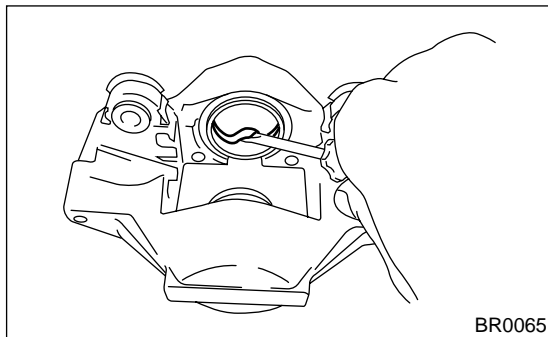
CAUTION:

- Place a wooden block as shown in figure to prevent damage to piston.
- Do not apply excessively high-pressure.



(1) Place a 30 mm (1.18 in) wide wooden block here.

4) Remove piston seal from caliper body cylinder.



D: ASSEMBLY

1. 14 INCH TYPE

- 1) Clean caliper body interior using brake fluid.
- 2) Apply a coat of brake fluid to piston seal and fit piston seal in groove on caliper body.
- 3) Apply a coat of brake fluid to the entire inner surface of cylinder and outer surface of piston.
- 4) Insert piston into cylinder.

CAUTION:

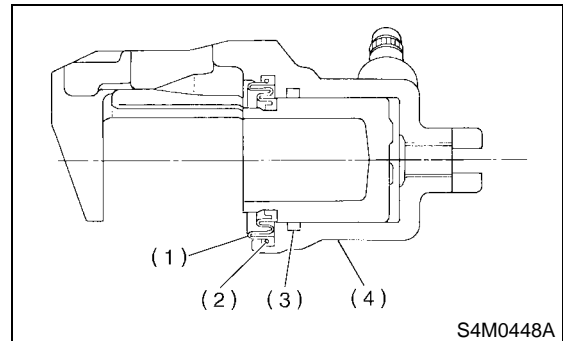
Do not force piston into cylinder.

- 5) Apply a coat of specified grease to boot and fit in groove on ends of cylinder and piston.

Grease:

NIGLUBE RX-2 (Part No. 003606000)

- 6) Install the piston boot to the caliper body, and attach boot ring.

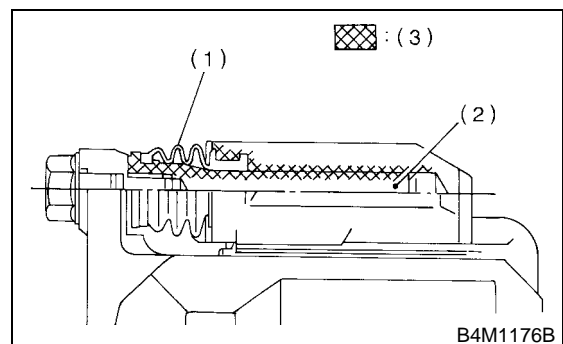


- (1) Piston boot
- (2) Boot ring
- (3) Piston seal
- (4) Caliper body

- 7) Apply a coat of specified grease to guide pin, outer surface, sleeve outer surface, cylinder inner surface, and boot grooves.

Grease:

NIGLUBE RX-2 (Part No. 003606000)



- (1) Pin boot
- (2) Lock pin or guide pin
- (3) Apply grease.

- 8) Install guide pin boot on caliper body.

9) Install lock pin boot on caliper body and insert lock pin sleeve into place.

2. 15 INCH TYPE

- 1) Clean caliper body interior using brake fluid.
- 2) Apply a coat of brake fluid to piston seal and fit piston seal in groove on caliper body.
- 3) Apply a coat of brake fluid to the entire inner surface of cylinder and outer surface of piston.
- 4) Insert piston into cylinder.

CAUTION:

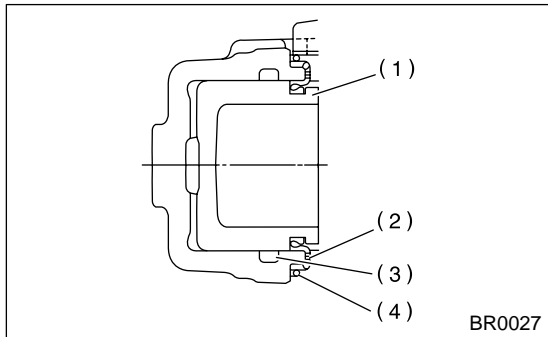
Do not force piston into cylinder.

- 5) Apply a coat of specified grease to boot and fit in groove on ends of cylinder and piston.

Grease:

NIGLUBE RX-2 (Part No. 003606000)

- 6) Install the piston boot to the caliper body, and attach boot ring.



- (1) Piston
- (2) Piston boot
- (3) Piston seal
- (4) Boot ring

- 7) Install shim and brake pad.
- 8) Install pad pin, cross spring, and M clip.

E: INSPECTION

- 1) Repair or replace faulty parts.
- 2) Check caliper body and piston for uneven wear, damage or rust.
- 3) Check rubber parts for damage or deterioration.

REAR DRUM BRAKE SHOE

BRAKE

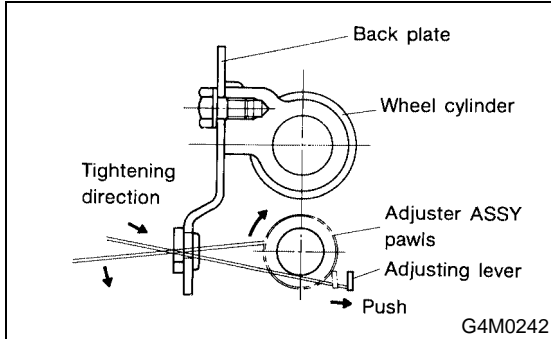
8. Rear Drum Brake Shoe

A: REMOVAL

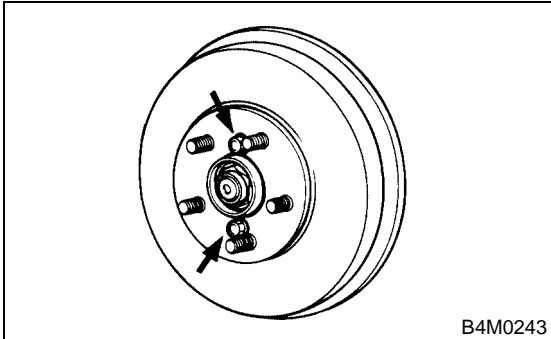
- 1) Loosen wheel nuts, jack-up vehicle, support it with rigid racks, and remove wheel.
- 2) Release parking brake.
- 3) Remove brake drum from brake assembly.

NOTE:

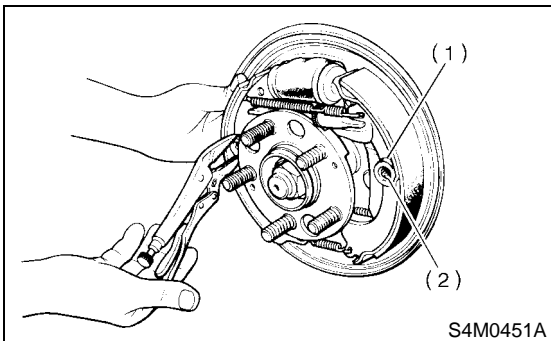
- If it is difficult to remove brake drum, remove adjusting hole cover from back plate, and then turn adjuster assembly pawls using a slot-type screwdriver until brake shoe separates from the drum.



- If brake drum is difficult to remove, drive it out by installing an 8-mm bolt into bolt hole in brake drum.



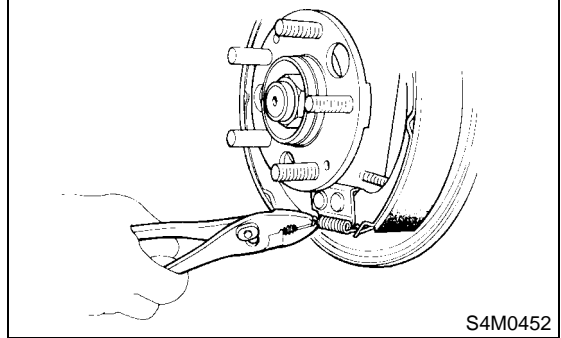
- 4) Hold hold-down pin by securing rear of back plate with your hand.



- (1) Hold-down cup
- (2) Hold-down pin

- 5) Disconnect hold-down cup from hold-down pin by rotating hold-down cup.

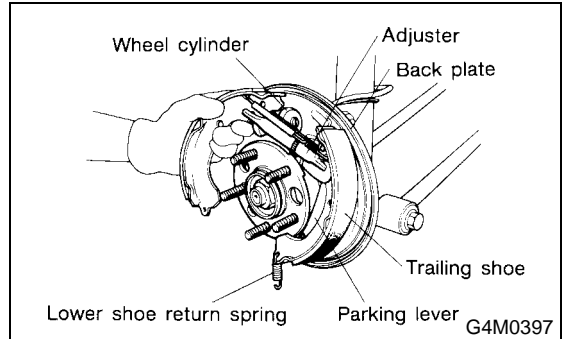
- 6) Disconnect lower shoe return spring from shoes.



- 7) Remove shoes one by one from back plate with adjuster.

CAUTION:

Be careful not to bend parking brake cable excessively when removing brake shoes.



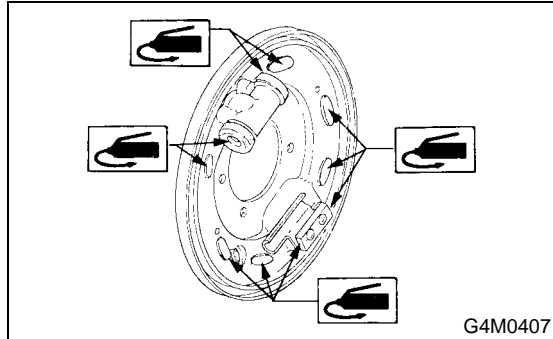
- 8) Disconnect parking brake cable from parking lever.

B: INSTALLATION

- 1) Clean back plate and wheel cylinder.
- 2) Apply grease to portions indicated by arrows in Figure.

Brake grease:

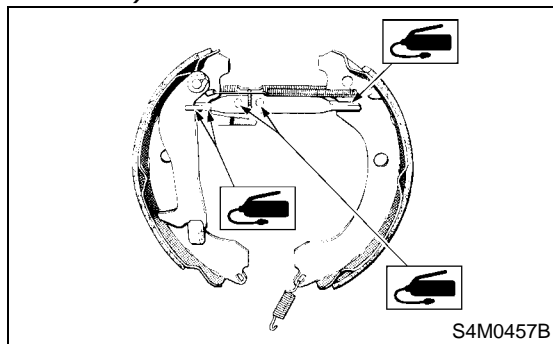
Dow Corning Molykote No. 7439 (Part No. 725191460)



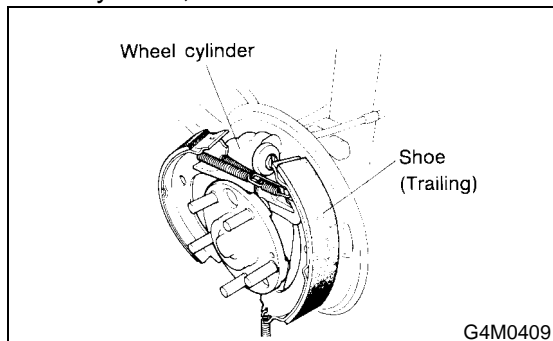
- 3) Apply grease to adjusting screw and both ends of adjuster.

Brake grease:

Dow Corning Molykote No. 7439 (Part No. 725191460)



- 4) Connect upper shoe return spring to shoes.
- 5) Connect parking brake cable to parking lever.
- 6) While positioning shoes (one at a time) in groove on wheel cylinder, secure shoes.



- 7) Fix shoes by connecting hold-down cup to hold-down pin.
- 8) Connect lower shoe return spring.
- 9) Set the outside diameter of brake shoes less than 0.5 to 0.8 mm (0.020 to 0.031 in) in comparison with the inside diameter of brake drum.

C: INSPECTION

- 1) Measure the lining thickness.

Lining thickness:

Standard 4.1 mm (0.161 in)

Service limit 1.5 mm (0.059 in)

- 2) If the deformation or wear of back plate, shoe, etc. are notable, replace them.
- 3) When the shoe return spring tension is excessively weakened, replace it, taking care to identify upper and lower springs.

REAR DRUM BRAKE DRUM

BRAKE

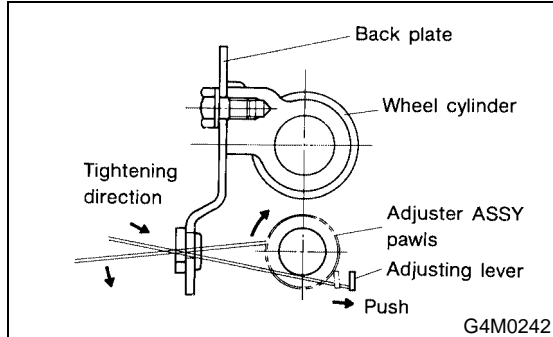
9. Rear Drum Brake Drum

A: REMOVAL

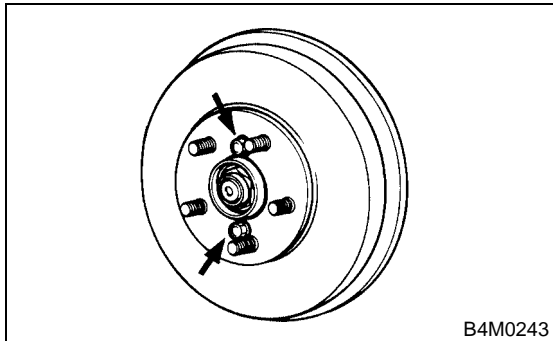
- 1) Loosen wheel nuts, jack-up vehicle, support it with rigid racks, and remove wheel.
- 2) Release parking brake.
- 3) Remove brake drum from brake assembly.

NOTE:

- If it is difficult to remove brake drum, remove adjusting hole cover from back plate, and then turn adjuster assembly pawls using a slot-type screwdriver until brake shoe separates from the drum.



- If brake drum is difficult to remove, drive it out by installing an 8-mm bolt into bolt hole in brake drum.



B: INSTALLATION

Set the outside diameter of brake shoes less than 0.5 to 0.8 mm (0.020 to 0.031 in) in comparison with the inside diameter of brake drum.

C: INSPECTION

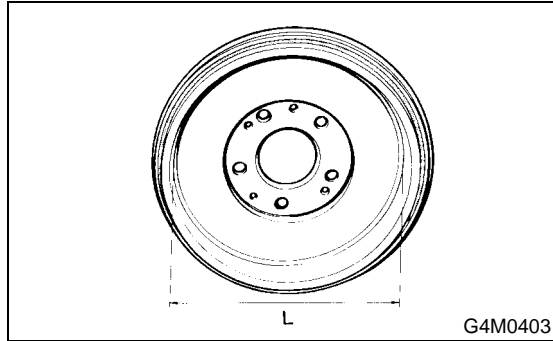
1) If the inside surface of brake drum is streaked, correct the surface. And, if it is unevenly worn, taperingly streaked, or the outside surface of brake drum is damaged, correct or replace it.

2) Measure the drum inner diameter.

Drum inner diameter: "L"

Standard 228 mm (9 in)

Service limit 230.6 mm (9.08 in)



REAR DRUM BRAKE ASSEMBLY

BRAKE

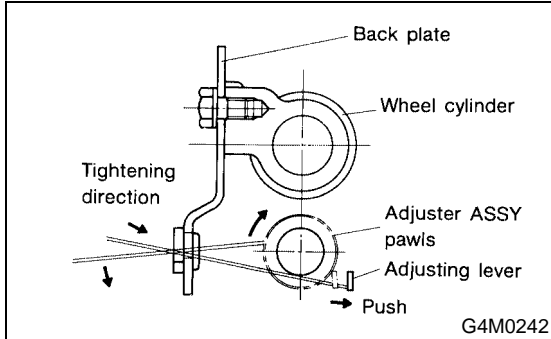
10. Rear Drum Brake Assembly

A: REMOVAL

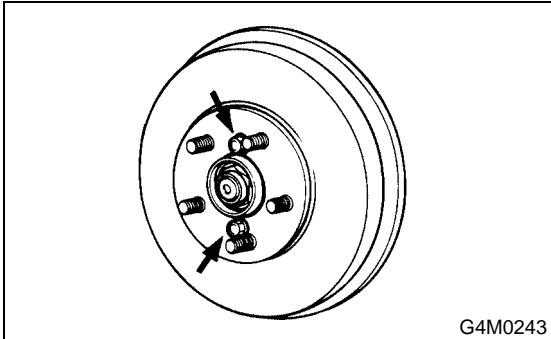
- 1) Loosen wheel nuts, jack-up vehicle, support it with rigid racks, and remove wheel.
- 2) Release parking brake.
- 3) Remove brake drum from brake assembly.

NOTE:

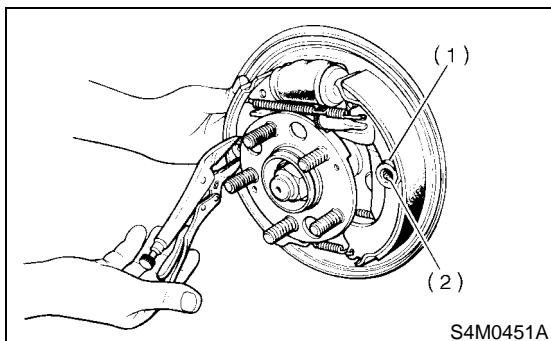
- If it is difficult to remove brake drum, remove adjusting hole cover from back plate, and then turn adjuster assembly pawls using a slot-type screwdriver until brake shoe separates from the drum.



- If brake drum is difficult to remove, drive it out by installing an 8-mm bolt into bolt hole in brake drum.



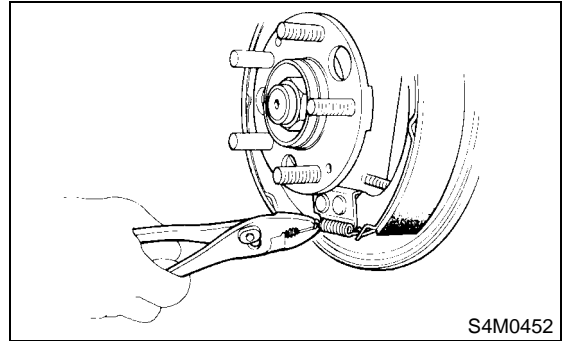
- 4) Hold hold-down pin by securing rear of back plate with your hand.



- (1) Hold-down cup
- (2) Hold-down pin

- 5) Disconnect hold-down cup from hold-down pin by rotating hold-down cup.

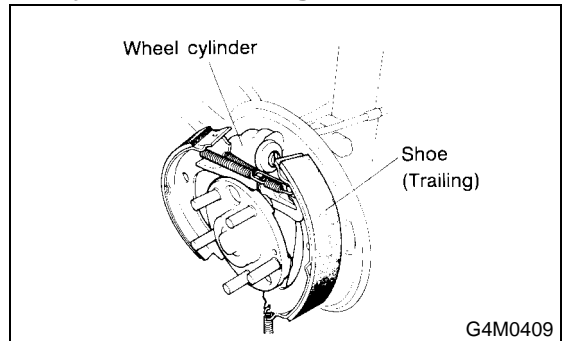
- 6) Disconnect lower shoe return spring from shoes.



- 7) Remove shoes one by one from back plate with adjuster.

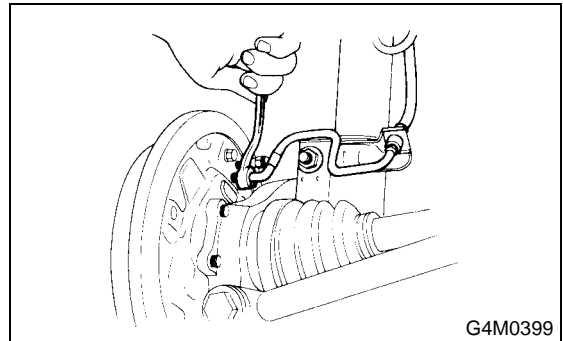
CAUTION:

Be careful not to bend parking brake cable excessively when removing brake shoes.



- 8) Disconnect parking brake cable from parking lever.

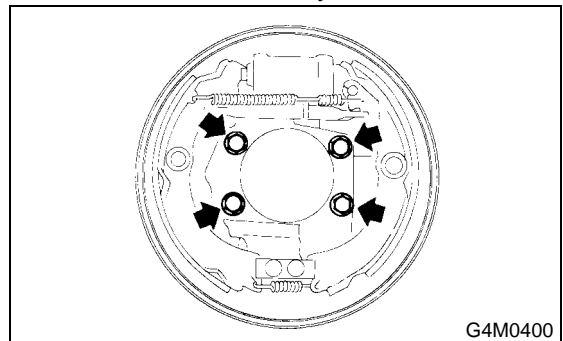
- 9) Unscrew the brake pipe flare nut and disconnect brake pipe.



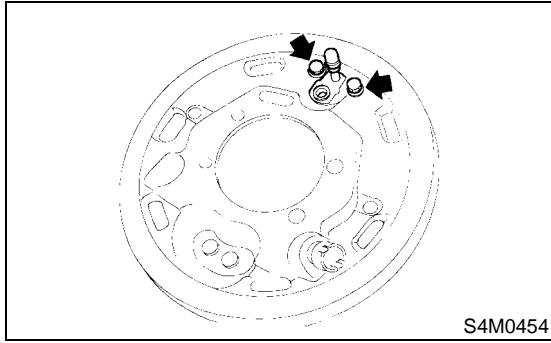
- 10) Remove hub.

<Ref. to DS-24, REMOVAL, Rear Axle.>

- 11) Remove brake assembly.



12) Remove the bolts installing wheel cylinder on back plate, and remove it.

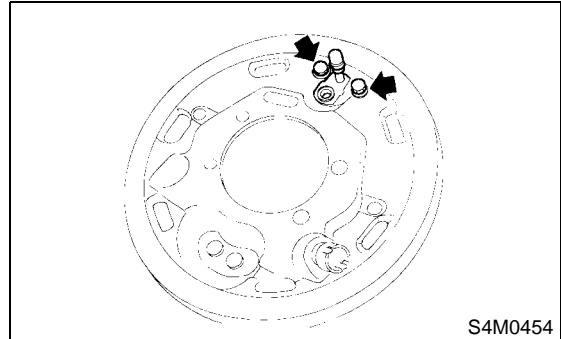


B: INSTALLATION

1) Install wheel cylinder on back plate, and tighten bolts.

Tightening torque:

10 N·m (1.0 kgf-m, 7.2 ft-lb)

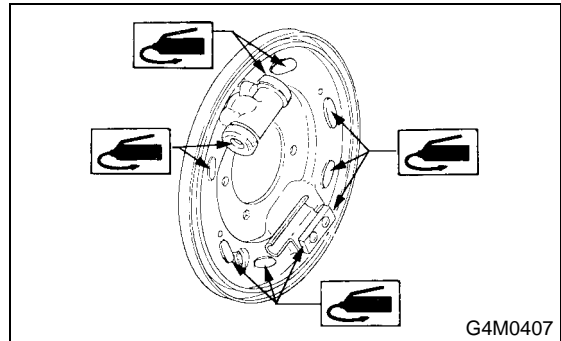


2) Clean back plate and wheel cylinder.

3) Apply grease to portions indicated by arrows in Figure.

Brake grease:

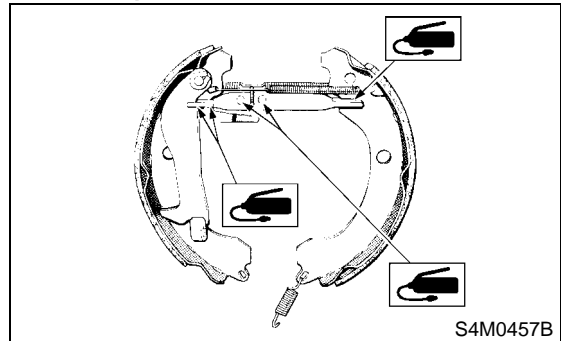
Dow Corning Molykote No. 7439 (Part No. 725191460)



4) Apply grease to adjusting screw and both ends of adjuster.

Brake grease:

Dow Corning Molykote No. 7439 (Part No. 725191460)

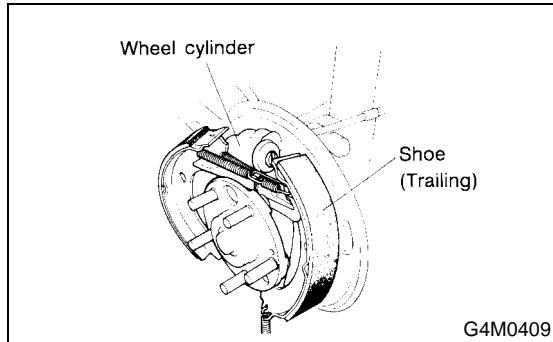


5) Connect upper shoe return spring to shoes.

REAR DRUM BRAKE ASSEMBLY

BRAKE

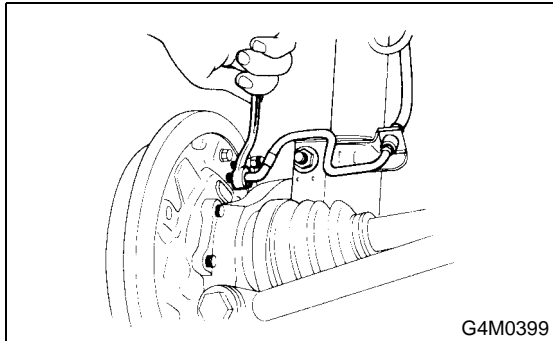
- 6) Connect parking brake cable to parking lever.
- 7) While positioning shoes (one at a time) in groove on wheel cylinder, secure shoes.



- 8) Fix shoes by connecting hold-down cup to hold-down pin.
- 9) Connect lower shoe return spring.
- 10) Set the outside diameter of brake shoes less than 0.5 to 0.8 mm (0.020 to 0.031 in) in comparison with the inside diameter of brake drum.
- 11) Install hub.
<Ref. to DS-27, INSTALLATION, Rear Axle.>
- 12) Connect brake pipe, and tighten brake pipe flange nut.

Tightening torque:

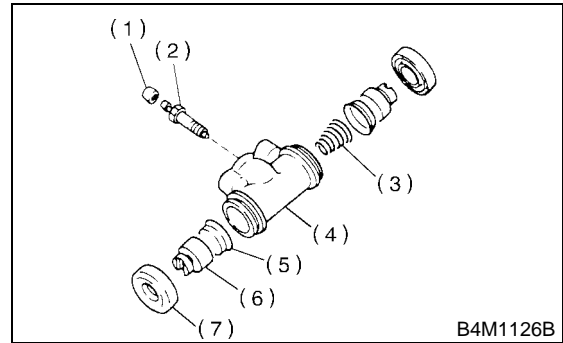
15 N·m (1.5 kgf·m, 10.8 ft·lb)



- 13) Install brake drum.
- 14) After installing brake assembly, bleed air from brake line.

C: DISASSEMBLY

- 1) Remove right and left dust boots from wheel cylinder.



- (1) Bleeder cap
- (2) Bleeder screw
- (3) Spring
- (4) Cylinder
- (5) Cup
- (6) Piston
- (7) Boot

- 2) Remove piston, cup, spring and air bleeder screw and cap.

D: ASSEMBLY

1) Clean all parts in brake fluid. Check and replace faulty parts.

- Cup and boot for damage or fatigue
- Cylinder, piston and spring or damage or rust formation

2) Assembly is the reverse order of disassembly.

(1) When installing the cup, use ST, apply brake fluid to the frictional surface for smooth installation and pay attention to cup direction.

(2) STs are available in different sizes.

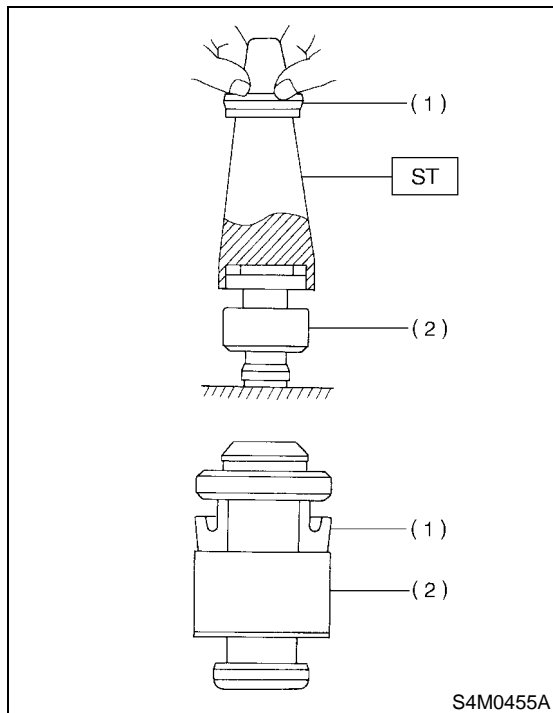
CAUTION:

- When replacing the repair kit, make sure that the sizes of cylinder and cup are the same as those which were replaced.
- Use only the tool of the correct size.

| ST: ADAPTER | |
|--------------------|-----------|
| Applicable size | Part No. |
| 17.5 mm (11/16 in) | 925460000 |

CAUTION:

While assembling, be careful to prevent any metal chip, dust or dirt from entering the wheel cylinder.



- (1) Cup
- (2) Piston

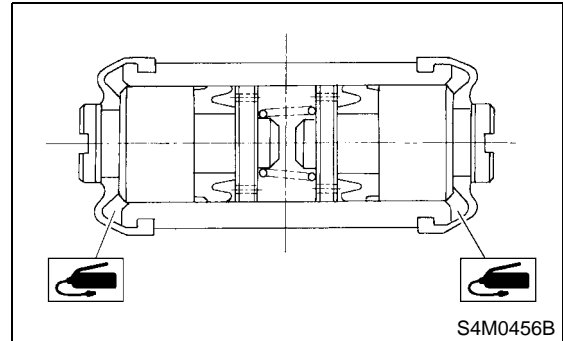
3) Apply rubber grease to the boot inside as shown in Figure.

CAUTION:

Never use brake grease.

Grease:

NIGLUBE RX-2 (Part No. 003606000)



E: INSPECTION

1) If the deformation or wear of back plate, shoe, etc. are notable, replace them.

11. Master Cylinder

A: REMOVAL

- 1) Thoroughly drain brake fluid from reservoir tank.
- 2) Disconnect fluid level indicator harness connector.
- 3) Remove brake pipes from master cylinder.
- 4) Remove master cylinder mounting nuts, and take out master cylinder from brake booster.

CAUTION:

Be extremely careful not to spill brake fluid. Brake fluid spilt on the vehicle body will harm the painted surface; wipe it off quickly if spilt.

B: INSTALLATION

- 1) To install the master cylinder to the body, reverse the sequence of removal procedure.

Tightening torque:

Master cylinder mounting nut
14 N·m (1.4 kgf-m, 10.1 ft-lb)

Piping flare nut
15 N·m (1.5 kgf-m, 10.8 ft-lb)

CAUTION:

Be sure to use recommended brake fluid.

- 2) Bleed air from brake system. <Ref. to BR-64, PROCEDURE, Air Bleeding.>

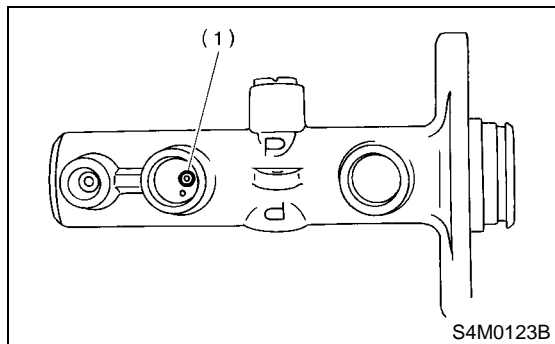
C: DISASSEMBLY

1. PRECAUTIONS FOR DISASSEMBLING

- 1) Remove mud and dirt from the surface of brake master cylinder.
- 2) Prepare tools necessary for disassembly operation, and arrange them neatly on work bench.
- 3) Clean work bench.

2. DISASSEMBLING PROCEDURE

- 1) Remove pin with drift pin which secures reserve tank to master cylinder.
- 2) Remove cylinder pin with magnetic pick-up tool while pushing in primary piston. (with ABS)

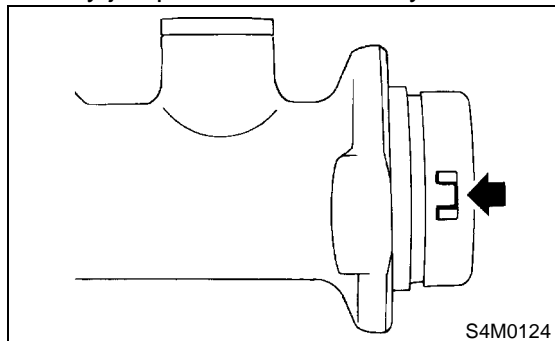


(1) Cylinder pin

- 3) Pry up the pawl and remove the piston retainer.

NOTE:

Piston may jump out from master cylinder.



- 4) Extract primary piston assembly and secondary piston assembly.

CAUTION:

- Do not disassemble the piston assembly; otherwise, the spring set value may be changed.
- Use brake fluid or methanol to wash inside wall of cylinder, pistons and piston cups. Be careful not to damage parts when washing. If methanol is used for washing, do not dip rubber parts, such as piston cups, in it for more than 30 seconds; otherwise, they may become swelled.

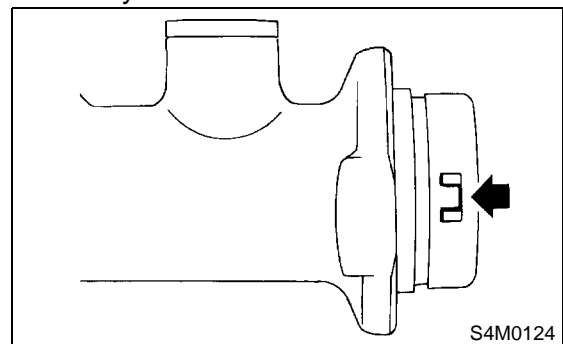
D: ASSEMBLY

1. PRECAUTIONS FOR ASSEMBLING

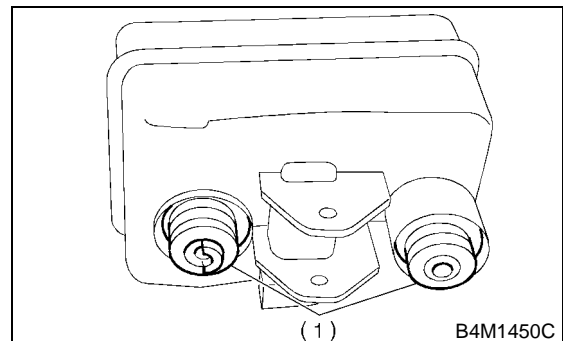
- 1) When assembling, be sure to use recommended brake fluid.
- 2) Ensure that the inside wall of cylinder, pistons, and piston cups are free from dirt when assembling.
- 3) Be extremely careful not to damage, scratch, or dent cylinder inside wall, pistons, and piston cups.
- 4) Do not drop parts. Never attempt to use any part that has been dropped accidentally.

2. ASSEMBLING PROCEDURE

- 1) Assembling piston assembly:
Apply recommended brake fluid to inside wall of cylinder, and to outer surface of piston assembly, and install piston assemblies carefully into cylinder.
- 2) Assembling cylinder pin:
- 3) Press the pawl and install the piston retainer into the master cylinder.



- 4) Install seal to reservoir tank.



(1) Seal

- 5) Install pin with drift pins which secures reservoir tank to master cylinder.

E: INSPECTION

If any damage, deformation, wear, swelling, rust, and other faults are found on the primary piston assembly, secondary piston assembly, supply valve stopper, or gasket, replace the faulty part.

CAUTION:

- **The primary and secondary pistons must be replaced as complete assemblies.**
- **The service limit of the clearance between each piston and the master cylinder inner dia. is 0.11 mm (0.0043 in).**
- **When handling parts, be extremely careful not to damage or scratch the parts, or let any foreign matter get on them.**

12. Brake Booster

A: REMOVAL

1) Remove or disconnect the following parts at engine compartment.

- (1) Disconnect connector for brake fluid level indicator.
- (2) Remove brake pipes from master cylinder.
- (3) Remove master cylinder installing nuts.
- (4) Disconnect vacuum hose from brake booster.

2) Remove the following parts from the pedal bracket.

- (1) Snap pin and clevis pin
- (2) Four brake booster installing nuts

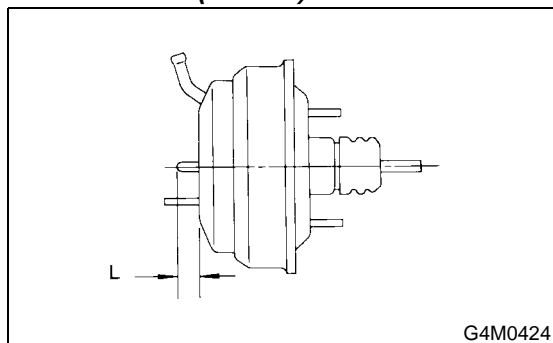
3) Remove brake booster while shunning brake pipes.

NOTE:

- Be careful not to drop brake booster. Brake booster should be discarded if it has been dropped.
- Use special care when handling operating rod. If excessive force is applied to operating rod, sufficient to cause a change in the angle in excess of $\pm 3^\circ$, it may result in damage to the power piston cylinder.
- Use care when placing brake booster on the floor.
- Do not change the push rod length. If it has been changed, reset the projected length "L" to the standard length.

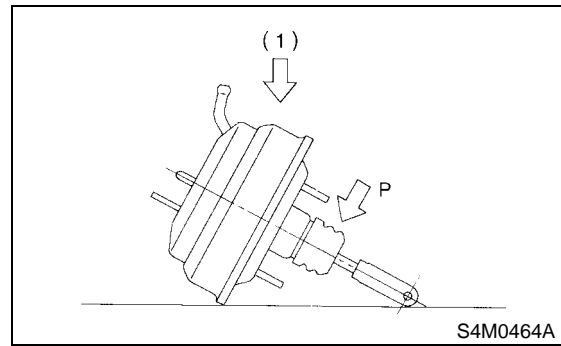
Standard:

L = 10.4 mm (0.41 in)



CAUTION:

If external force is applied from above when brake booster is placed in this position, the resin portion as indicated by "P", may be damaged.



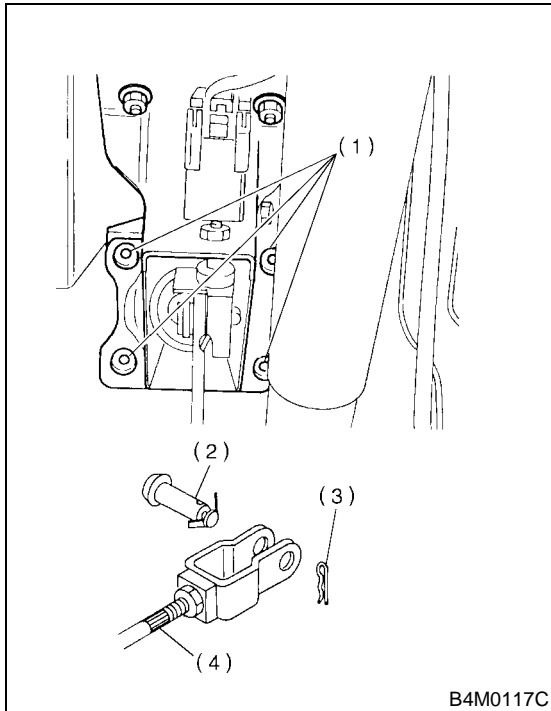
(1) Force

BRAKE BOOSTER

BRAKE

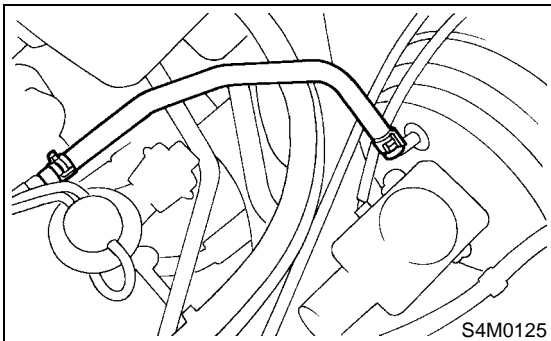
B: INSTALLATION

- 1) Mount brake booster in position.
- 2) Connect operating rod to brake pedal with clevis pin and snap pin.



- (1) Nuts
- (2) Clevis pin
- (3) Snap pin
- (4) Operating rod

- 3) Connect vacuum hose to brake booster.



- 4) Mount master cylinder onto brake booster.
- 5) Connect brake pipes to master cylinder.
- 6) Connect electric connector for brake fluid level indicator.
- 7) Adjust operating rod of brake booster.

Standard: L

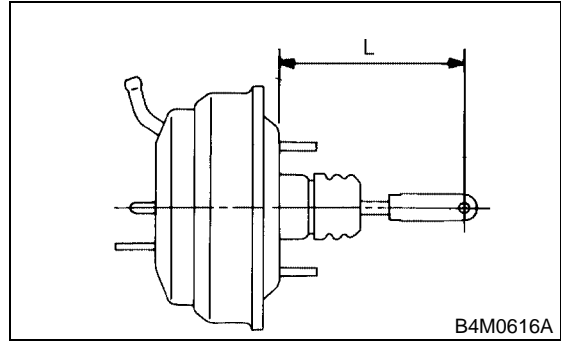
LHD model:

144.6 mm (5.69 in)

RHD model:

173.2 mm (6.82 in)

If it is not in specified value, adjust it by adjusting brake booster operating rod.



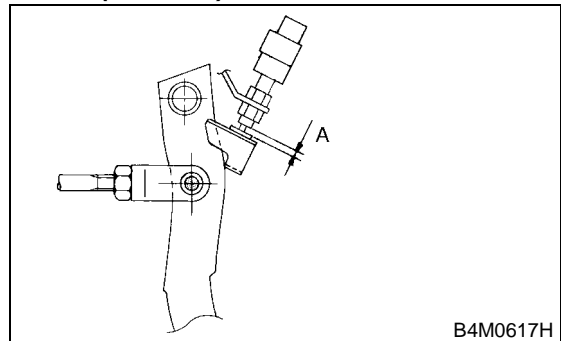
- 8) Measure the clearance between threaded end of stop light switch and stopper. If it is not in specified value, adjust it by adjusting position of stop light switch.

CAUTION:

Be careful not to rotate stop light switch.

Stop light switch clearance: A

0.3 mm (0.012 in)



- 9) Apply grease to operating rod connecting pin to prevent it from wearing.
- 10) Bleed air from brake system.

Tightening torque (Air bleeder screw):

8 N·m (0.8 kgf·m, 5.8 ft·lb)

- 11) Conduct road tests to ensure brakes do not drag.

C: INSPECTION**1. OPERATION CHECK (WITHOUT GAUGES)****CAUTION:**

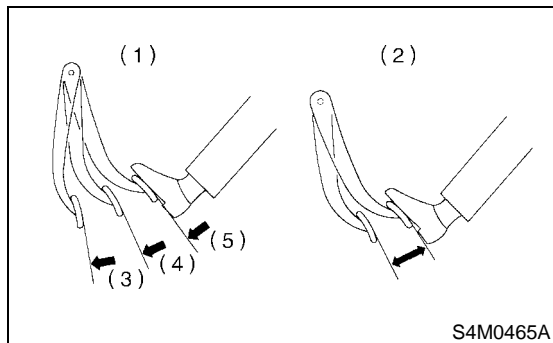
When checking operation, be sure to securely apply the hand brake.

• Checking without gauges

This method cannot determine the exact portion which has failed, but it can provide a rough understanding of the nature of the failure if checking is conducted in accordance with the following procedures.

• Air tightness check

Start engine, and run it for 1 to 2 minutes, then turn it off. Depress brake pedal several times applying the same pedal force as that used in ordinary braking operations. The pedal stroke should be greatest on the 1st depression, and it should become smaller with each successive depression. If no change occurs in the pedal height while in a depressed state, brake booster is faulty.



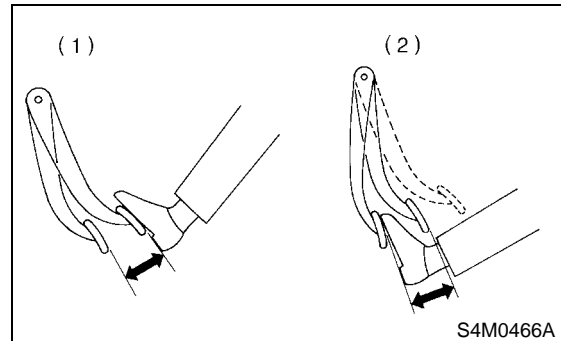
- (1) OK
- (2) NOT OK
- (3) 1st
- (4) 2nd
- (5) 3rd

NOTE:

- In the event of defective operation, inspect the condition of the check valve and vacuum hose.
- Replace them if faulty and conduct the test again.
- If no improvement is observed, check precisely with gauges.

• Operation check

1) With engine off, depress brake pedal several times applying the same pedal force and make sure that the pedal height does not vary with each depression of the pedal.



- (1) When engine is stopped
- (2) When engine is started

2) With brake pedal depressed, start engine.

3) As engine starts, brake pedal should move slightly toward the floor. If no change occurs in the pedal height, brake booster is faulty.

NOTE:

If faulty, check precisely with gauges.

• Loaded air tightness check

Depress brake pedal while engine is running, and turn off engine while the pedal is still depressed. Keep the pedal depressed for 30 seconds; if no change occurs in the pedal height, brake booster is functioning normally; if the pedal height increases, it is faulty.

NOTE:

If faulty, check precisely with gauges.

BRAKE BOOSTER

BRAKE

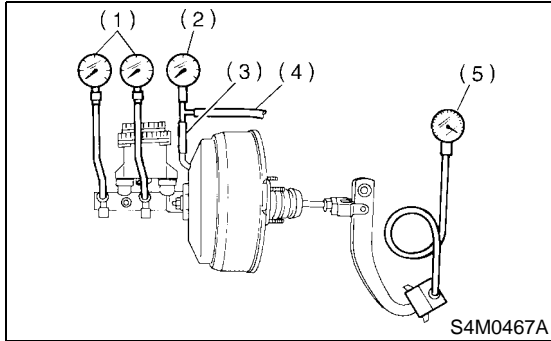
2. OPERATION CHECK (WITH GAUGES)

CAUTION:

When checking operation, be sure to securely apply the hand brake.

• Checking with gauges

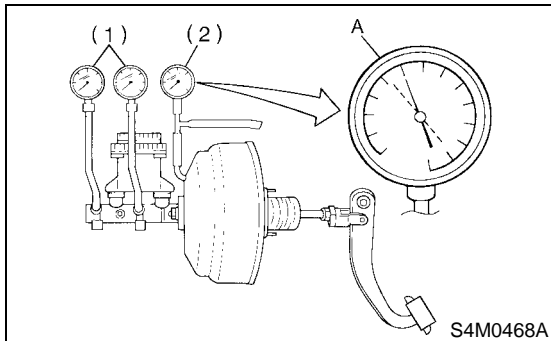
Connect gauges as shown in Figure. After bleeding air from pressure gauges, proceed to each check.



- (1) Pressure gauge
- (2) Vacuum gauge
- (3) Adapter hose
- (4) Vacuum hose
- (5) Pedal force gauge

• Air tightness check

1) Start engine and keep it running until a vacuum of 66.7 kPa (500 mmHg, 19.69 inHg) = point A is indicated on vacuum gauge. Do not depress brake pedal.



- (1) Pressure gauge
- (2) Vacuum gauge

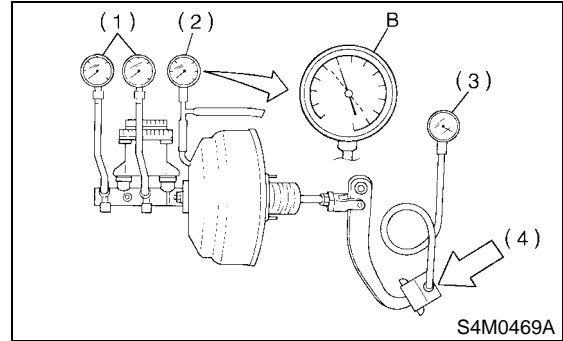
2) Stop engine and watch the gauge. If the vacuum drop range is less than 3.3 kPa (25 mmHg, 0.98 inHg) within 15 seconds after stopping engine, brake booster is functioning properly.

If defective, the cause may be one of those listed below.

- Check valve malfunction
- Leak from vacuum hose
- Leak from the shell jointed portion or stud bolt welded portion
- Damaged diaphragm

- Leak from valve body seal and bearing portion
- Leak from plate and seal assembly portion
- Leak from poppet valve assembly portion
- **Loaded air tightness check**

1) Start engine and depress brake pedal with pedal force of 196 N (20 kgf, 44 lb). Keep engine running until a vacuum of 66.7 kPa (500 mmHg, 19.69 inHg) = point B is indicated on vacuum gauge while the pedal is still depressed.



- (1) Pressure gauge
- (2) Vacuum gauge
- (3) Pedal force gauge
- (4) Depress

2) Stop engine and watch vacuum gauge.

If the vacuum drop range is less than 3.3 kPa (25 mmHg, 0.98 inHg) within 15 seconds after stopping engine, brake booster is functioning properly.

If defective, refer to "AIR TIGHTNESS CHECK".

<Ref. to BR-57, INSPECTION, Brake Booster.>

• Lack of boosting action check

Turn off engine, and set the vacuum gauge reading at “0”. Then, check the fluid pressure when brake pedal is depressed. The pressure must be greater than the standard value listed.

| Brake pedal force | | 147 N (15 kgf, 33 lb) | 294 N (30 kgf, 66 lb) |
|-------------------|-----|---|--|
| Fluid pressure | 14" | 686 kPa (7 kg/cm ² , 100 psi) [588 kPa (6 kg/cm ² , 85 psi)] | 1,961 kPa (20 kg/cm ² , 284 psi) [1,667 kPa (17 kg/cm ² , 242 psi)] |
| | 15" | 686 kPa | 1,715 kPa |
| | 16" | (6 kg/cm ² , 100 psi) | (15 kg/cm ² , 250 psi) |

[]: ABS equipped vehicle.

• Boosting action check

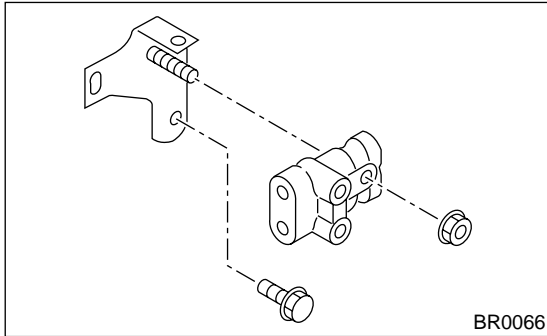
Set the vacuum gauge reading at 66.7 kPa (500 mmHg, 19.69 inHg) by running engine. Then, check the fluid pressure when brake pedal is depressed. The pressure must be greater than the standard value listed.

| Brake pedal force | | 147 N (15 kgf, 33 lb) | 294 N (30 kgf, 66 lb) |
|-------------------|-----|---|---|
| Fluid pressure | 14" | 5,982 kPa (61 kg/cm ² , 868 psi) [7,061 kPa (72 kg/cm ² , 1,024 psi)] | 7,649 kPa (78 kg/cm ² , 1,109 psi) [8,434 kPa (86 kg/cm ² , 1,223 psi)] |
| | 15" | 5,296 kPa (54 kg/cm ² , 768 psi) | 9,120 kPa (93 kg/cm ² , 1,323 psi) |
| | 16" | 4,707 kPa (48 kg/cm ² , 683psi) | |

[]: ABS equipped vehicle.

13. Proportioning Valve

A: REMOVAL



- 1) Remove brake pipe from proportioning valve at four places.
- 2) Remove proportioning valve from its bracket.

CAUTION:

Do not disassemble or adjust the proportioning valve. (The proportioning valve must be replaced as an assembly.)

B: INSTALLATION

- 1) Install proportioning valve to bracket.
- 2) Connect brake pipes correctly to proportioning valve.
- 3) Bleed air, then check each joint of brake pipe for oil leaks.

Tightening torque:

Proportioning valve to brake pipe flare nut:

15 N·m (1.5 kgf-m, 10.8 ft-lb)

Proportioning valve to bracket

18 N·m (1.8 kgf-m, 13.0 ft-lb)

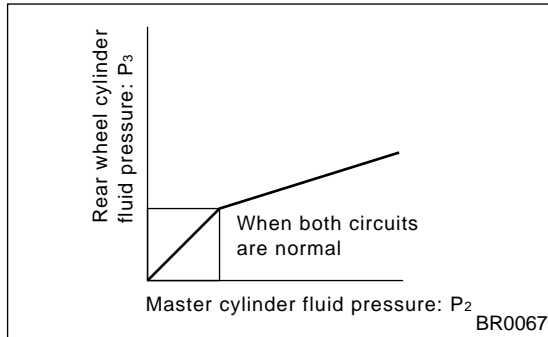
C: INSPECTION

1) Install the oil pressure gauges to measure the master cylinder fluid pressure (front wheel brake fluid pressure) and rear wheel cylinder fluid pressure.

2) Bleed air from the oil pressure gauges.

3) Check the master cylinder fluid pressure and rear wheel cylinder fluid pressure.

The standard values are shown in Figure.



4) For the oil pressure in case of split point, refer to "SPECIFICATIONS".

<Ref. to BR-2, SPECIFICATIONS, General Description.>

14. Brake Fluid

A: INSPECTION

- 1) Check that brake fluid level remains between "MIN" and "MAX". If out of the specified range, refill or drain fluid. If fluid level becomes close to "MIN", refill fluid.
- 2) Check fluid for discoloration. If fluid color has excessively changed, drain the fluid and refill with new fluid.

B: REPLACEMENT

CAUTION:

- To always maintain the brake fluid characteristics, replace the brake fluid according to maintenance schedule or earlier than that when used in severe condition.
- The FMVSS No. 116, fresh DOT3 or 4 brake fluid must be used.
- Cover bleeder with waste cloth, when loosening it, to prevent brake fluid from being splashed over surrounding parts.
- Avoid mixing different brands of brake fluid to prevent degrading the quality of the fluid.
- Be careful not to allow dirt or dust to get into the reservoir tank.

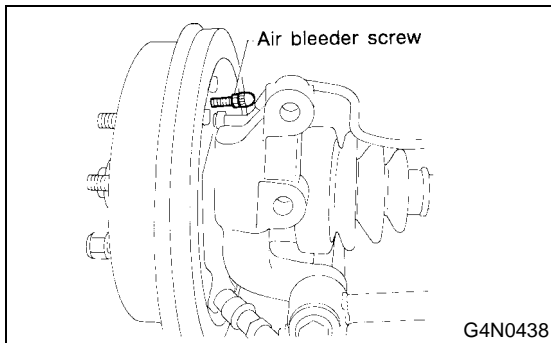
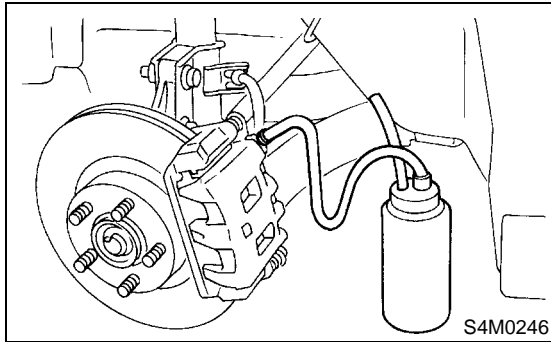
NOTE:

- During bleeding operation, keep the brake reservoir tank filled with brake fluid to eliminate entry of air.
 - Brake pedal operating must be very slow.
 - For convenience and safety, two people should do the work.
 - The amount of brake fluid required is approximately 500 m^l (16.9 US fl oz, 17.6 Imp fl oz) for total brake system.
- 1) Either jack-up vehicle and place a safety stand under it, or left up vehicle.
 - 2) Remove both front and rear wheels.
 - 3) Draw out the brake fluid from master cylinder with syringe.
 - 4) Refill reservoir tank with recommended brake fluid.

Recommended brake fluid:

FMVSS No. 116, fresh DOT3 or 4 brake fluid

5) Install one end of a vinyl tube onto the air bleeder and insert the other end of the tube into a container to collect the brake fluid.



NOTE:

Add brake fluid as necessary while performing the air bleed operation, in order to prevent the tank from running short of brake fluid.

9) After completing the bleeding operation, hold brake pedal depressed and tighten screw and install bleeder cap.

Tightening torque (Bleeder screw):
8 N·m (0.8 kgf-m, 5.8 ft-lb)

10) Bleed air from each wheel cylinder using the same procedures as described in steps 6) through 7) above.

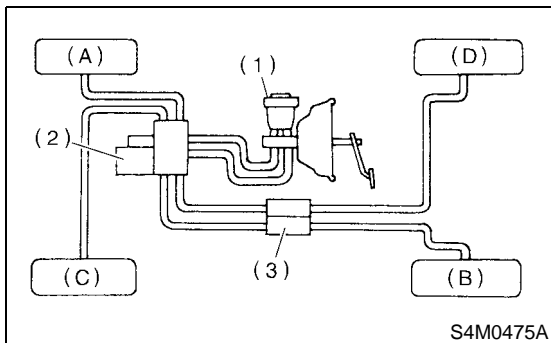
11) Depress brake pedal with a force of approximately 294 N (30 kgf, 66 lb) and hold it there for approximately 20 seconds. At this time check pedal to see if it shows any unusual movement.

Visually inspect bleeder screws and brake pipe joints to make sure that there is no fluid leakage.

12) Install wheels, and drive vehicle for a short distance between 2 to 3 km (1 to 2 miles) to make sure that brakes are operating properly.

CAUTION:

Brake fluid replacement sequence; (A) Front right → (B) Rear left → (C) Front left → (D) Rear right



- (1) Master cylinder
- (2) Hydraulic unit
- (3) Proportioning valve

6) Instruct your co-worker to depress the brake pedal slowly two or three times and then hold it depressed.

7) Loosen bleeder screw approximately 1/4 turn until a small amount of brake fluid drains into container, and then quickly tighten screw.

8) Repeat steps 6) and 7) above until there are no air bubbles in drained brake fluid and new fluid flows through vinyl tube.

15. Air Bleeding

A: PROCEDURE

CAUTION:

- The FMVSS No. 116, fresh DOT3 or 4 brake fluid must be used.
- Cover bleeder with waste cloth when loosening it to prevent brake fluid from being splashed over surrounding parts.
- Avoid mixing different brands of brake fluid to prevent degrading the quality of the fluid.
- Be careful not to allow dirt or dust to get into the reservoir tank.

NOTE:

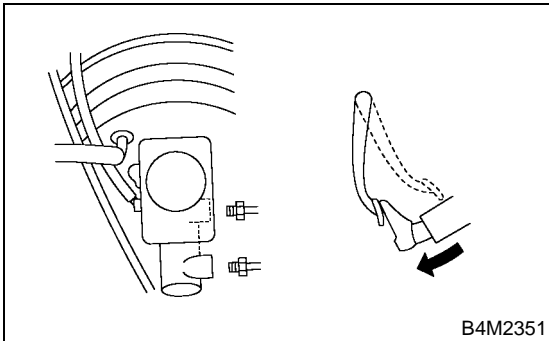
- Start with the brakes (wheels) connected to the secondary chamber of the master cylinder.
- The time interval between two brake pedal operations (from the time when the pedal is released to the time when it is depressed another time) shall be approximately 3 seconds.
- The air bleeder on each brake shall be released for 1 to 2 seconds.

1. MASTER CYLINDER

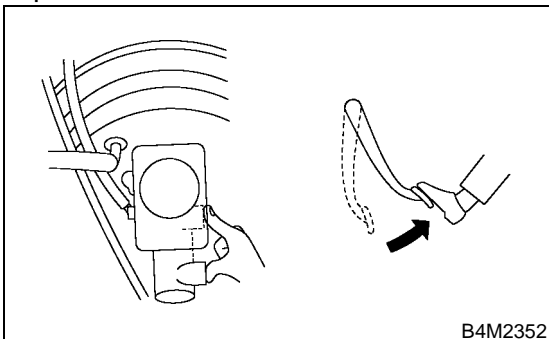
NOTE:

If master cylinder is disassembled or reservoir tank is empty, bleed master cylinder.

- 1) Disconnect brake line at primary and secondary sides.
- 2) Carefully depress and hold brake pedal.



- 3) Close outlet plug with your finger, and release brake pedal.



- 4) Repeat above step2) and 3) until brake fluid is completely bled from outlet plug.

- 5) Install brake pipes to master cylinder.

Tightening torque:

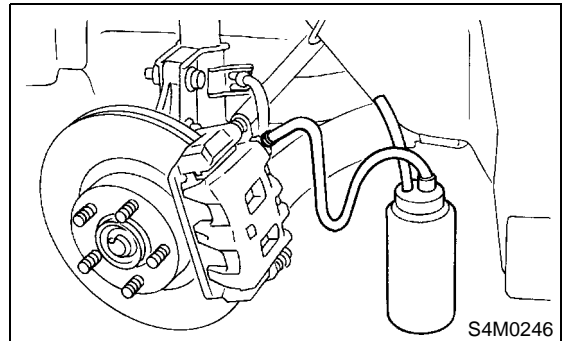
8 N·m (0.8 kgf-m, 5.8 ft-lb)

- 6) Bleed air from brake line. <Ref. to BR-64, BRAKE LINE, PROCEDURE, Air Bleeding.>

2. BRAKE LINE

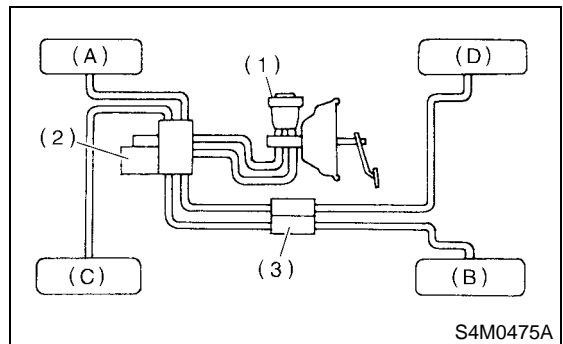
NOTE:

- During bleeding operation, keep the brake reservoir tank filled with brake fluid to eliminate entry of air.
 - Brake pedal operating must be very slow.
 - For convenience and safety, two people should do the work.
- 1) Make sure that there is no leak from joints and connections of the brake system.
 - 2) Fit one end of vinyl tube into the air bleeder and put the other end into a brake fluid container.



CAUTION:

Brake fluid replacement sequence; (A) Front right → (B) Rear left → (C) Front left → (D) Rear right



- (1) Master cylinder
- (2) Hydraulic unit
- (3) Proportioning valve

- 3) Slowly depress the brake pedal and keep it depressed. Then, open the air bleeder to discharge air together with the fluid. Release air bleeder for 1 to 2 seconds. Next, with the bleeder closed, slowly release the brake pedal.

Repeat these steps until there are no more air bubbles in the vinyl tube.

Allow 3 to 4 seconds between two brake pedal operations.

CAUTION:

Cover bleeder with waste cloth, when loosening it, to prevent brake fluid from being splashed over surrounding parts.

NOTE:

Brake pedal operating must be very slow.

4) Tighten air bleeder securely when no air bubbles are visible.

Air bleeder tightening torque:

8 N·m (0.8 kgf·m, 5.8 ft·lb)

5) Perform these steps for the brakes connecting to the secondary chamber of master cylinder, first, and then for the ones connecting to primary chamber. With all procedures completed, fully depress the brake pedal and keep it in that position for approximately 20 seconds to make sure that there is no leak evident in the entire system.

6) Check the pedal stroke.

While the engine is idling, depress the brake pedal with a 490 N (50 kgf, 110 lb) load and measure the distance between the brake pedal and steering wheel. With the brake pedal released, measure the distance between the pedal and steering wheel again. The difference between the two measurements must be more than specified.

8) Operate hydraulic control unit in the sequence control mode. (With ABS)

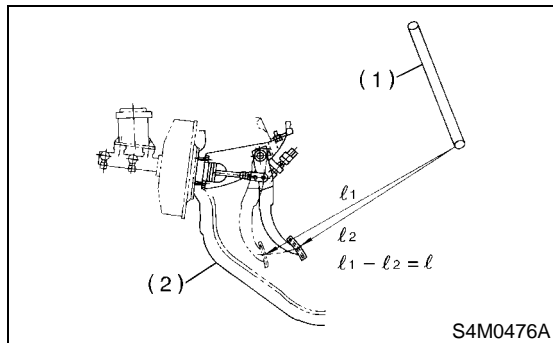
<Ref. to ABS-11, ABS Sequence Control.>

9) Recheck the brake stroke.

10) If the distance is more than specifications, there is a possibility air is in the inside of the hydraulic unit. Repeat above steps 2) to 9) above until pedal stroke meets the specification.

11) Add brake fluid to the required level (MAX. level) of reservoir tank.

12) As a final step, test run the vehicle at low speed and apply brakes relatively hard 2 to 3 times to ensure that brakes provide normal braking action on all four wheels without dragging and uneven braking.



- (1) Steering wheel
- (2) Toe board

Specified pedal stroke:

Without ABS

90 mm (3.54 in)

With ABS

95 mm (3.74 in)

When depressing brake pedal with a 490 N (50 kg, 110 lb) load.

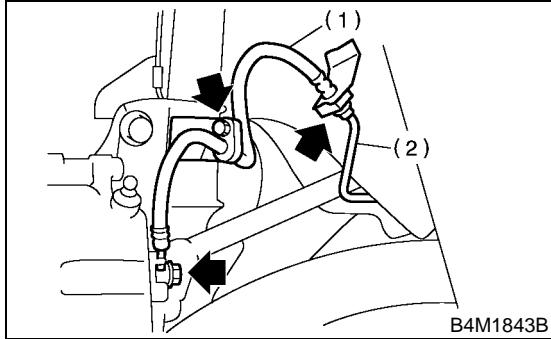
7) If the distance is more than specifications, there is a possibility that air is in the brake line. Bleed brake line until pedal stroke meets the specification.

16. Brake Hose

A: REMOVAL

1. FRONT BRAKE HOSE

- 1) Separate brake pipe from brake hose.
(Always use flare nut wrench and be careful not to deform flare nut.)



- (1) Brake hose
- (2) Brake pipe

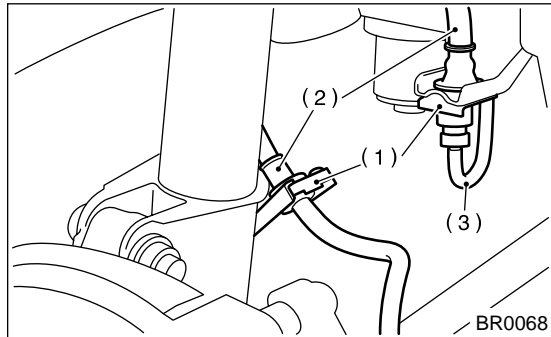
- 2) Pull out clamp to remove brake hose.
- 3) Remove bolt at strut and union bolt.

2. REAR BRAKE HOSE

- 1) Separate brake pipe from brake hose.

NOTE:

Always use flare nut wrench and be careful not to deform flare nut.



- (1) Brake hose clip
- (2) Brake hose
- (3) Brake pipe

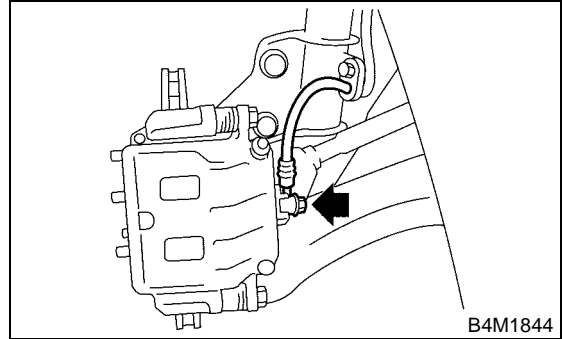
- 2) Pull out clamp to remove brake hose.

B: INSTALLATION

1. FRONT BRAKE HOSE

- 1) Route end of brake hose (on caliper side) through hole in brake hose bracket at strut location.
- 2) Tighten end of brake hose at caliper using a union bolt.

Tightening torque (Union bolt):
18 N·m (1.8 kgf-m, 13.0 ft-lb)



- 3) Secure middle fitting of brake hose to bracket at strut location using a clamp.
- 4) Position disc in straight-forward direction and route brake hose through hole in bracket on wheel apron side.

CAUTION:

Be sure brake hose is not twisted.

- 5) Temporarily tighten flare nut to connect brake pipe and hose.
- 6) Fix brake hose with clamp at wheel apron bracket.
- 7) While holding hexagonal part of brake hose fitting with a wrench, tighten flare nut to the specified torque.

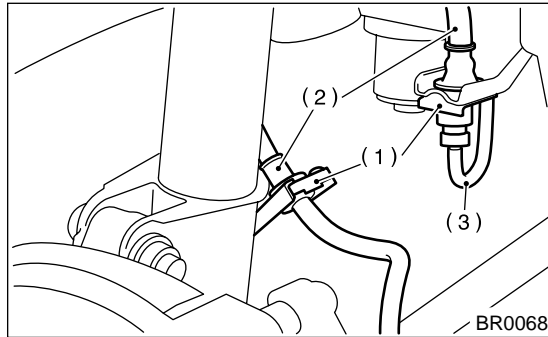
Tightening torque (Brake pipe flare nut):
15 N·m (1.5 kgf-m, 10.8 ft-lb)

- 8) Bleed air from the brake system.

2. REAR BRAKE HOSE

- 1) Pass brake hose through the hole of bracket, and lightly tighten flare nut to connect brake pipe.
- 2) Insert clamp upward to fix brake hose.
- 3) While holding hexagonal part of brake hose fitting with a wrench, tighten flare nut to the specified torque.

Tightening torque (Brake pipe flare nut):
15 N·m (1.5 kgf-m, 10.8 ft-lb)



- (1) Brake hose clip
- (2) Brake hose
- (2) Brake pipe

- 4) Bleed air from the brake system.

C: INSPECTION

Ensure there are no cracks, breakage, or damage on hoses. Check joints for fluid leakage. If any cracks, breakage, damage or leakage is found, repair or replace hose.

17.Brake Pipe

A: REMOVAL

NOTE:

Airbag system wiring harness is routed near the center brake pipe.

CAUTION:

- All Airbag system wiring harness and connectors are colored yellow. Do not use electrical test equipment on these circuits.
- Be careful not to damage Airbag system wiring harness when servicing the center brake pipe.
- When removing the brake pipe, make sure that it is not bent.

B: INSTALLATION

NOTE:

Airbag system wiring harness is routed near the center brake pipe.

CAUTION:

- All Airbag system wiring harness and connectors are colored yellow. Do not use electrical test equipment on these circuits.
- Be careful not to damage Airbag system wiring harness when servicing the center brake pipe.
- When installing the brake pipe, make sure that it is not bent.
- After installing the brake pipe and hose, bleed the air.
- After installing the brake hose, make sure that it does not touch the tire or suspension assembly, etc.

Brake pipe tightening torque:

15 N·m (1.5 kgf-m, 10.8 ft-lb)

C: INSPECTION

Ensure there are no cracks, breakage, or damage on pipes. Check joints for fluid leakage. If any cracks, breakage, damage or leakage is found, repair or replace pipe.

NOTE:

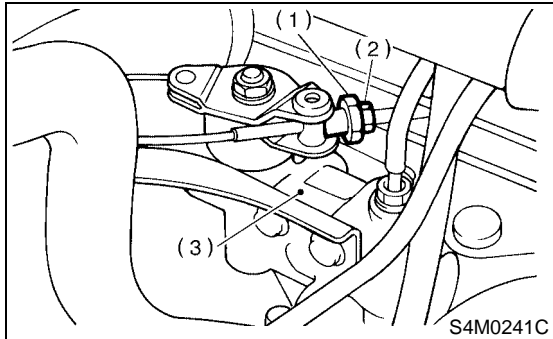
Use a mirror when inspecting low-visible part or back side.

18.Hill Holder

A: REMOVAL

1. PHV (PRESSURE HOLD VALVE)

- 1) Drain brake fluid from reservoir of master cylinder.
- 2) Remove adjusting nut and lock nut.

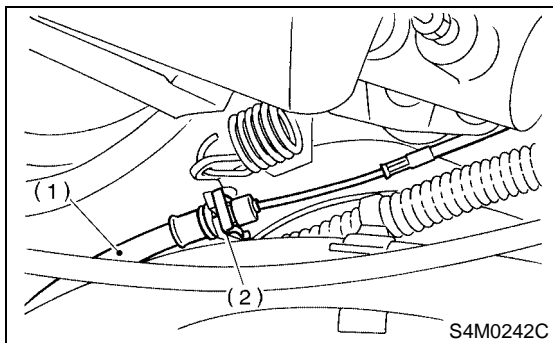


- (1) Adjusting nut
- (2) Lock nut
- (3) PHV

- 3) Remove cable clamp, and disconnect PHV cable from PHV.

CAUTION:

Carefully protect boots and inner cable from damage when disconnecting PHV cable.



- (1) PHV cable
- (2) Clamp

- 4) Disconnect brake pipes from PHV.

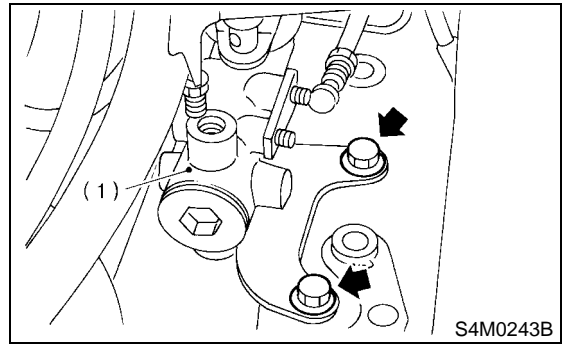
CAUTION:

- Pay attention not to drop brake fluid onto body painting since it may dissolve paint.
- Pay attention not to damage hexagonal head of flare nut by using pipe wrench without fail.

- 5) Detach PHV along with support from side frame.

CAUTION:

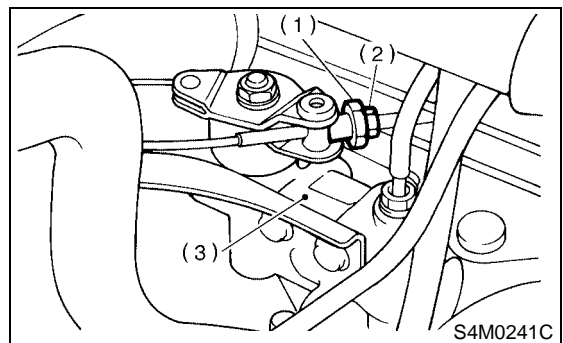
Exercise utmost care to prevent foreign matter from entering into PHV when removing it.



- (1) PHV

2. PHV CABLE

- 1) Remove adjusting nut and lock nut.

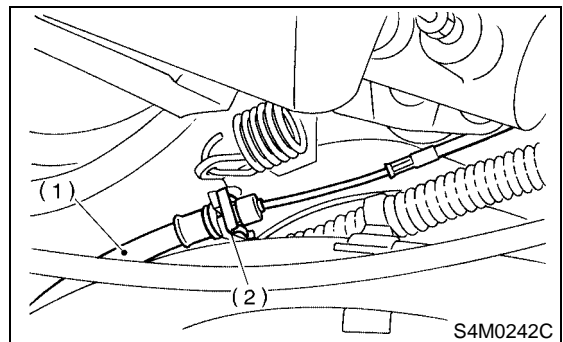


- (1) Adjusting nut
- (2) Lock nut
- (3) PHV

- 2) Remove cable clamp, and disconnect PHV cable from PHV.

CAUTION:

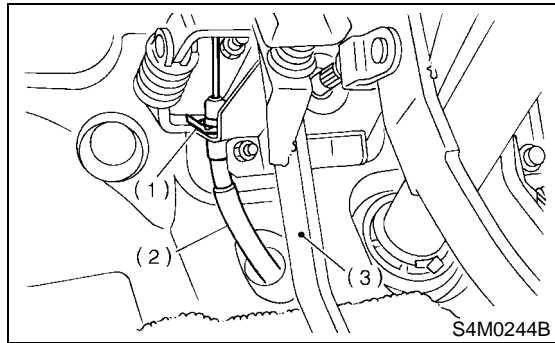
Carefully protect boot and inner cable from damage when disconnecting PHV cable.



- (1) PHV cable
- (2) Clamp

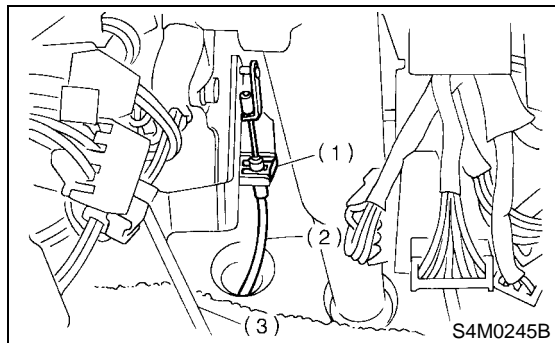
3) Remove cable clamp from clutch pedal bracket.

LHD model



- (1) Clamp
- (2) PHV cable
- (3) Clutch pedal

RHD model



- (1) Clamp
- (2) PHV cable
- (3) Clutch pedal

4) Remove PHV cable.

B: INSPECTION

Check up removed parts as follows, and replace defective ones.

- 1) Check if boots of PHV cable are damaged or degraded, and inner cable is damaged or corroded.
- 2) Check if return spring is worn out, damaged or corroded.
- 3) Confirm that rolling sound of ball is heard with PHV inclined and lever rotates smoothly.

CAUTION:

Never disassemble PHV. Replace entire PHV assembly if necessary.

C: INSTALLATION

1. PHV (PRESSURE HOLD VALVE)

1) Install PHV onto side frame.

Tightening torque:

18 N·m (1.8 kgf-m, 13.0 ft-lb)

2) Connect brake pipes to PHV.

Tightening torque:

15 N·m (1.5 kgf-m, 10.8 ft-lb)

CAUTION:

Confirm that brake pipes are not deformed and/or damaged. Replace them with new ones if necessary.

3) Install PHV cable to PHV.

CAUTION:

If cable clamp (and clips) is damaged, replace it with a new one.

4) Connect PHV cable with clips.

NOTE:

Avoid sharp bending of PHV cable as it may cause breakage.

5) Apply grease to the following points.

- Hook portion of return spring
- Cable end portion of lever

Grease:

SUNLIGHT 2 (Part No. 003602010)

6) Be sure to bleed air from the brake system.

7) Adjust PHV cable. <Ref. to BR-71, PHV CABLE, INSTALLATION, Hill Holder.>

CAUTION:

After replacing PHV cable with new one, operate clutch pedal about 30 times as a running-in operation prior to adjustment.

2. PHV CABLE

1) Install PHV cable in the reverse order of removal.

CAUTION:

- **If cable clamp is damaged, replace it with a new one.**
- **Avoid sharp bending of PHV cable as it may cause breakage.**

2) Apply grease to the following points.

- Hook portion of return spring
- Cable end portion of lever

Grease:

SUNLIGHT 2 (Part No. 003602010)

3) Adjust PHV cable. <Ref. to BR-72, ADJUSTMENT, Hill Holder.>

CAUTION:

After replacing PHV cable with new one, operate clutch pedal about 30 times as a running-in operation prior to adjustment.

D: ADJUSTMENT

Confirm stopping and starting performances by activating hill holder on an uphill road of 3° or higher inclination.

1) If vehicle does not stop;

Tighten adjusting nut of PHV cable.

2) If vehicle does not start properly;

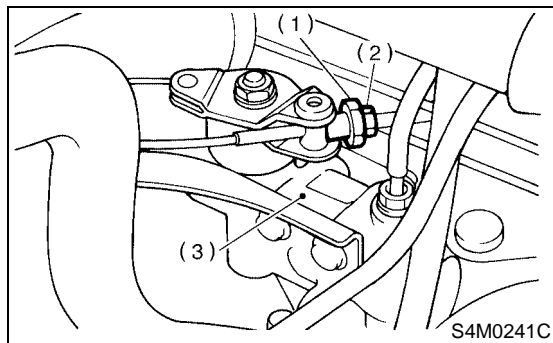
- Case A — When hill holder is released later than engagement of clutch pedal (Engine tends to stall.): Loosen adjusting nut gradually until smooth starting is enabled.

- Case B — When hill holder is released earlier than engagement of clutch pedal (Vehicle slips down slightly.):

Tighten adjusting nut so that hill holder is released later than engagement of clutch pedal (status in Case A). Then make adjustment the same as in Case A.

CAUTION:

Whenever turning adjusting nut, prevent PHV cable from revolving.



- (1) Adjusting nut
- (2) Lock nut
- (3) PHV

3) Tighten lock nut.

Tightening torque:

3.4 N·m (0.35 kgf·m, 2.5 ft·lb)

19. Brake Pedal

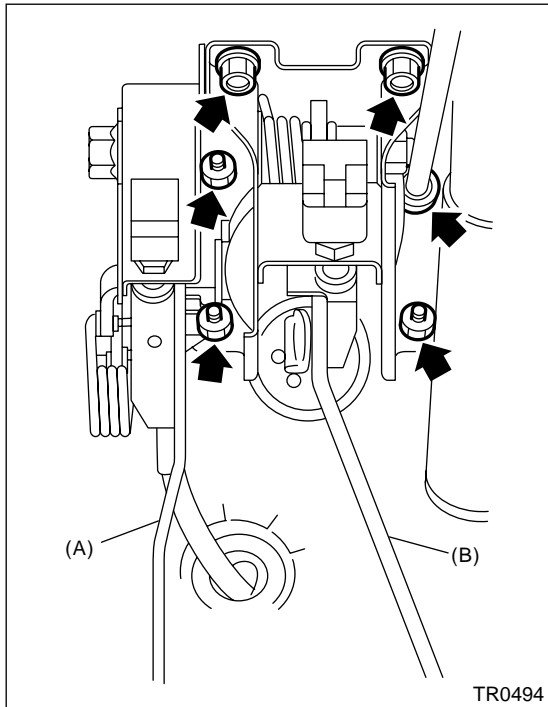
A: REMOVAL

1. LHD 1.6 L MT MODEL

- 1) Disconnect ground cable from battery.
- 2) Disconnect clutch cable from release lever.
- 3) Remove instrument panel lower cover from instrument panel.
- 4) Disconnect the following parts from pedal bracket.
 - Operating rod of brake booster
 - Electrical connectors (for stop light switch, etc.)
- 5) Remove clevis pin which secures pedal to push rod.
- 6) Remove bolts and nuts which secure brake and clutch pedals, and remove pedal bracket and clutch cable as a unit.

CAUTION:

Before removing clutch cable from toe board, remove grommet. Slowly remove clutch cable, being careful not to scratch it.



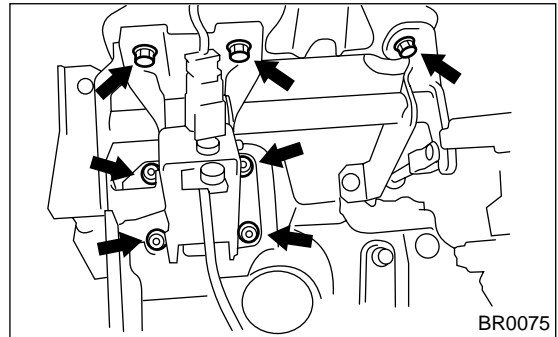
- (1) Clutch pedal
- (2) Brake pedal

- 7) Depress clutch pedal, disconnect clutch cable from clutch pedal.

2. LHD 2.0 L MT MODEL

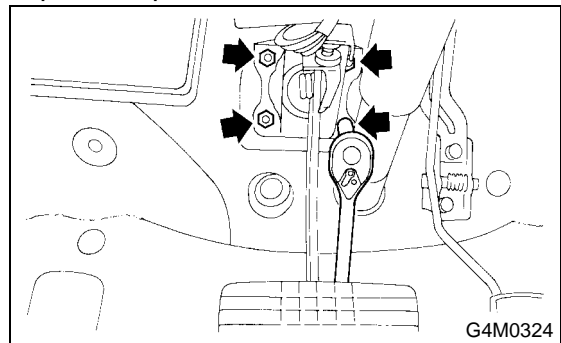
- 1) Remove steering bolts.
- 2) Raise vehicle on hoist and remove the two bolts which secure steering unit to underside of body.
- 3) Lower vehicle to floor.

- 4) Remove instrument panel lower cover from instrument panel.
- 5) Disconnect the following parts from pedal bracket.
 - Operating rod of brake booster
 - Electrical connectors (for stop light switch, etc.)
- 6) Remove clevis pin which secures lever to push rod.
- 7) Remove nut which secures clutch master cylinder.
- 8) Remove steering assembly.
- 9) Remove accelerator pedal.
- 10) Remove bolts and nuts which secure pedal bracket.



3. AT MODEL AND RHD MT MODEL

- 1) Disconnect ground cable from battery.
- 2) Remove instrument panel lower cover from instrument panel.
- 3) Remove clevis pin which secures brake pedal to brake booster operating rod. Also disconnect stop light switch connector.
- 4) Remove two bolts and four nuts which secure brake pedal to pedal.



BRAKE PEDAL

BRAKE

B: INSTALLATION

1) Install in the reverse order of removal.

CAUTION:

- If cable clamp is damaged, replace it with a new one.
- Never fail to cover outer cable end with boot.
- Be careful not to kink accelerator cable.
- Always use new clevis pins.

2) Adjustment of clutch pedal <Ref. to CL-36, ADJUSTMENT, Clutch Pedal.>

3) Inspect after pedal installation <Ref. to BR-76, INSPECTION, Brake Pedal.>

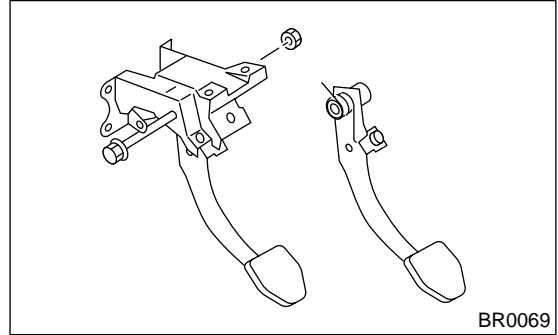
C: DISASSEMBLY

1. LHD 1.6 L MT MODEL

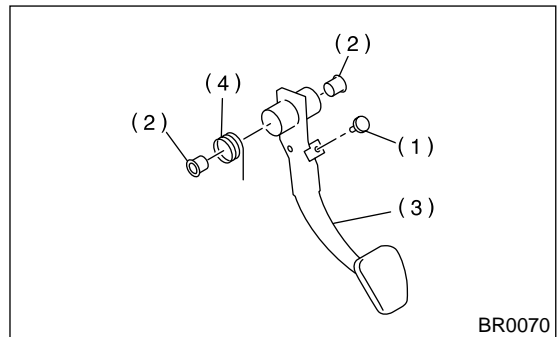
1) Remove the stop light switch.

<Ref. to BR-77, REMOVAL, Stop Light Switch.>

2) Remove nut and pull out the bolt until brake pedal is able to remove, then remove brake pedal.



3) Remove bush, spring and stopper.



- (1) Stopper
- (2) Bushing
- (3) Brake pedal
- (4) Brake pedal spring

4) Remove the brake pad.

2. LHD 2.0 L MT MODEL

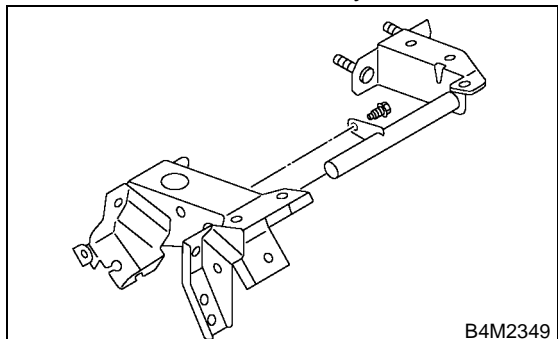
1) Remove the brake switch.

<Ref. to BR-77, REMOVAL, Stop Light Switch.>

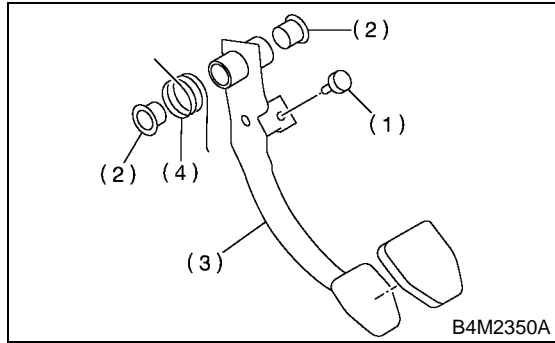
2) Remove the clutch pedal.

<Ref. to CL-34, DISASSEMBLY, Clutch Pedal.>

3) Remove the clutch master cylinder bracket.



4) Remove bush, spring and stopper.

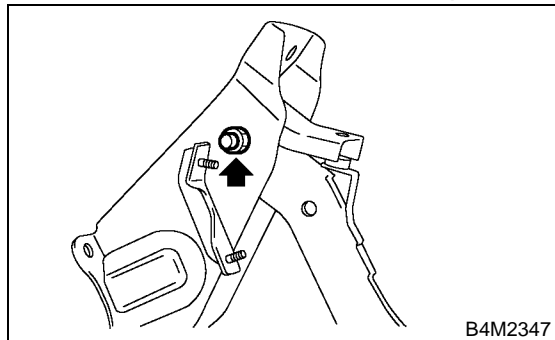


- (1) Stopper
- (2) Bushing
- (3) Brake pedal
- (4) Brake pedal spring

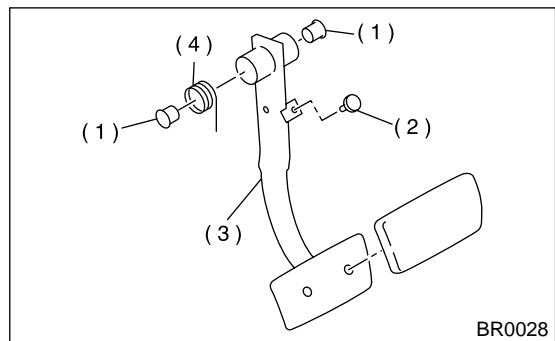
5) Remove the brake pedal pad.

3. AT MODEL AND RHD MT MODEL

- 1) Remove the brake switch.
- 2) Unbolt, and then remove the brake pedal.



3) Remove bush, spacer and spring.



- (1) Plug
- (2) Stopper
- (3) Brake pedal
- (4) Brake pedal spring

4) Remove the brake pedal pad.

D: ASSEMBLY

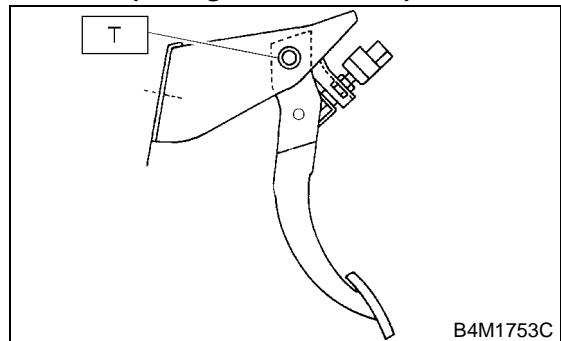
- 1) Attach stop light switch, etc. to pedal bracket temporarily.
- 2) Clean inside of bores of clutch pedal and brake pedal, apply grease, and set bushings into bores.
- 3) Align bores of pedal bracket, clutch pedal and brake pedal, attach brake pedal return spring and clutch pedal effort reducing spring (vehicle with hill holder), and then install pedal bolt.

NOTE:

Clean up inside of bushings and apply grease before installing spacer.

Tightening torque:

T: 29 N·m (3.0 kgf-m, 21.7 ft-lb)



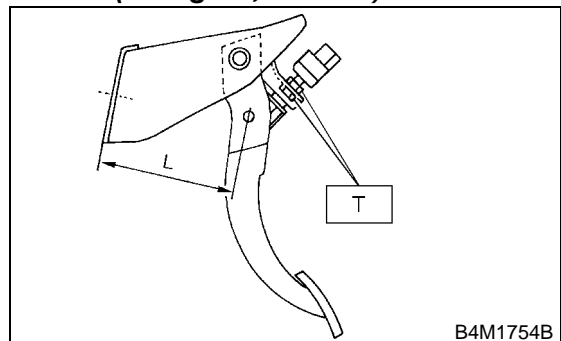
4) Set brake pedal position by adjusting position of stop light switch.

Pedal position: L

125.9 mm (4.96 in)

Tightening torque:

T: 8 N·m (0.8 kgf-m, 5.8 ft-lb)



BRAKE PEDAL

BRAKE

E: INSPECTION

1) Move brake and clutch pedal pads in the lateral direction with a force of approximately 10 N (1 kgf, 2 lb) to ensure pedal deflection is in specified range.

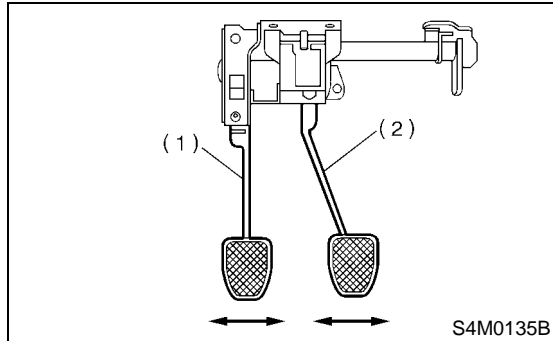
CAUTION:

If excessive deflection is noted, replace bushings with new ones.

Deflection of brake and clutch pedal:

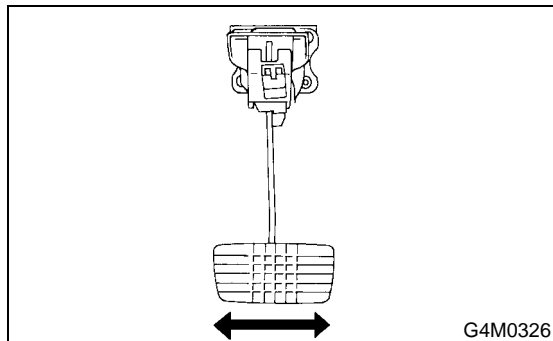
Service limit

5.0 mm (0.197 in) or less



(1) Clutch pedal

(2) Brake pedal



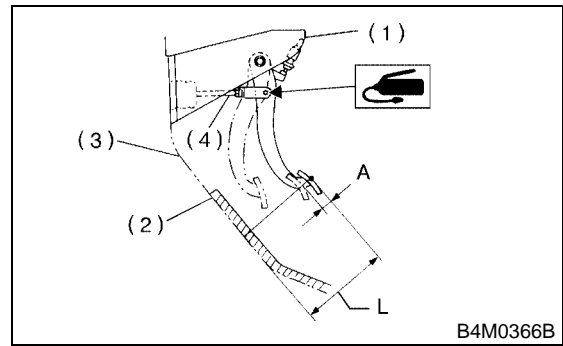
2) Check position of pedal pad.

Pedal height: L

148 mm (5.83 in)

Brake pedal free play: A

1 — 3 mm (0.04 — 0.12 in) [Depress brake pedal pad with a force of less than 10 N (1 kgf, 2 lb).]



(1) Stop light switch

(2) Mat

(3) Toe board

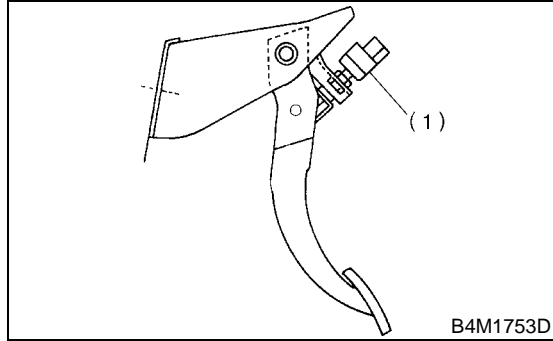
(4) Brake booster operating rod

3) If it is not in specified value, adjust it by adjusting brake booster operating rod length.

20. Stop Light Switch

A: REMOVAL

- 1) Disconnect ground terminal from battery.
- 2) Disconnect stop light switch connector.
- 3) Loosen nuts, and unscrew stop light switch to remove.



(1) Stop light switch

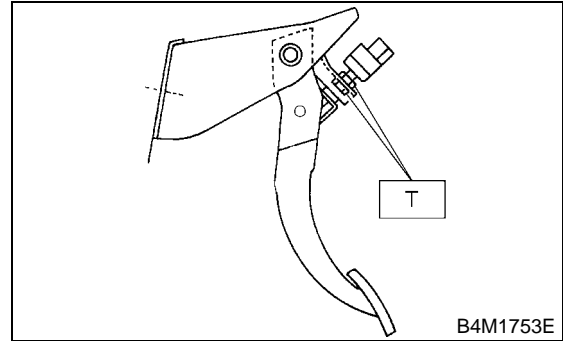
B: INSTALLATION

- 1) Screw the stop light switch onto a bracket and secure it temporarily with a nut.
- 2) Adjust stop light switch position, and then tighten the nut.

<Ref. to BR-78, ADJUSTMENT, Stop Light Switch.>

Tightening torque:

8 N·m (0.8 kgf-m, 5.8 ft-lb)



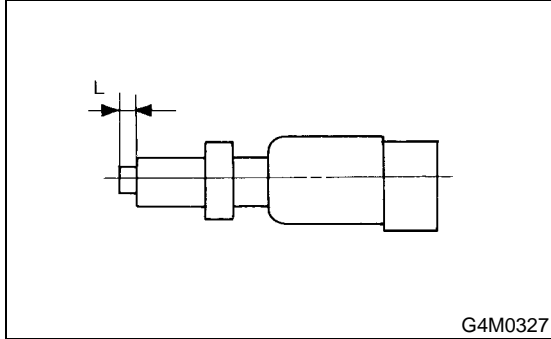
STOP LIGHT SWITCH

BRAKE

C: INSPECTION

1) If stop light switch does not operate properly (or if it does not stop at the specified position), replace with a new one.

Specified position: L
2 mm (0.079 in)

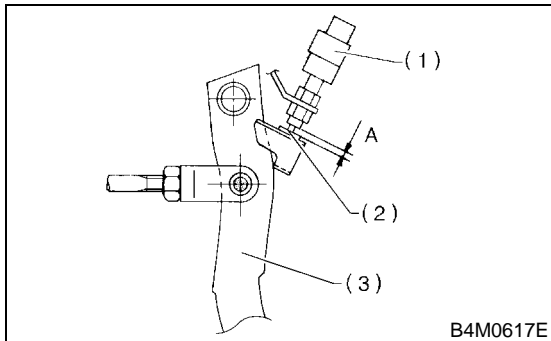


2) Measure the clearance between threaded end of stop light switch and stopper.

CAUTION:

Be careful not to rotate stop light switch.

Stop light switch clearance: A
0.3 mm (0.012 in)



- (1) Stop light switch
- (2) Stopper
- (3) Brake pedal

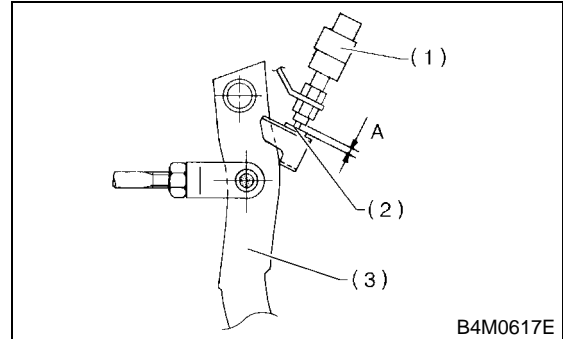
3) If it is not in specified value, adjust it by adjusting position of stop light switch.

CAUTION:

Be careful not to rotate stop light switch.

D: ADJUSTMENT

Loosen the lock nut, and adjust stop light switch position until the clearance between threaded end of the stop light switch and the stopper becomes 0.3 mm (0.012 in). Then, tighten the lock nut.



21. General Diagnostics

A: INSPECTION

| | Trouble and possible cause | Corrective action |
|---|---|--|
| 1. Insufficient braking | (1) Fluid leakage from the hydraulic mechanism | Repair or replace (cup, piston seal, piston boot, master cylinder piston kit, pipe or hose). |
| | (2) Entry of air into the hydraulic mechanism | Bleed the air. |
| | (3) Excessively wide shoe clearance | Adjust the clearance. |
| | (4) Wear, deteriorated surface material, adhering water or fluid on the lining | Replace, grind or clean. |
| | (5) Improper operation of master cylinder, disc caliper, brake booster or check valve | Correct or replace. |
| 2. Unstable or uneven braking | (1) Fluid on the lining, drum or rotor | Eliminate cause of fluid leakage, clean, or replace. |
| | (2) Drum or rotor eccentricity | Correct or replace the drum or rotor. |
| | (3) Worn brake drum, or damage to the drum caused by sand | Correct by grinding, or replace. |
| | (4) Improper lining contact, deteriorated surface material, improper inferior material, or wear | Correct by grinding, or replace. |
| | (5) Deformed back plate | Correct or replace. |
| | (6) Improper tire inflation | Inflate to correct pressure. |
| | (7) Disordered wheel alignment | Adjust alignment. |
| | (8) Loosened back plate or the support installing bolts | Retighten. |
| | (9) Loosened wheel bearing | Retighten to normal tightening torque or replace. |
| | (10) Trouble in the hydraulic system | Replace the cylinder, brake pipe or hose. |
| | (11) Uneven effect of the parking brake | Check, adjust, or replace the rear brake and cable system. |
| 3. Excessive pedal stroke | (1) Entry of air into the hydraulic mechanism | Bleed the air. |
| | (2) Excessive play in the master cylinder push rod | Adjust. |
| | (3) Fluid leakage from the hydraulic mechanism | Repair or replace (cup, piston seal, piston boot, master cylinder piston kit, pipe or hose). |
| | (4) Improperly adjusted shoe clearance | Adjust. |
| | (5) Improper lining contact or worn lining | Correct or replace. |
| 4. Brake dragging or improper brake return | (1) Insufficient pedal play | Adjust play. |
| | (2) Improper master cylinder return | Clean or replace the cylinder. |
| | (3) Clogged hydraulic system | Replace. |
| | (4) Improper return or adjustment of parking brake | Correct or adjust. |
| | (5) Weakened spring tension or breakage of shoe return spring | Replace the spring. |
| | (6) Excessively narrow shoe clearance | Adjust the clearance. |
| | (7) Improper disc caliper operation | Correct or replace. |
| | (8) Improper adjusted wheel bearing | Adjust or replace. |
| 5. Brake noise (1) (creak sound) | (1) Hardened or deteriorated lining | Replace the shoe assembly or pad. |
| | (2) Worn lining | Replace the shoe assembly or pad. |
| | (3) Loosened back plate or the support installing bolts | Retighten. |
| | (4) Loose wheel bearing | Retighten to normal tightening torque. |
| | (5) Dirty drum or rotor | Clean the drum or rotor, or clean and replace the brake assembly. |
| 6. Brake noise (2) (hissing sound) | (1) Worn lining | Replace the shoe assembly or pad. |
| | (2) Improper installed shoe or pad | Correct or replace the shoe assembly or pad. |
| | (3) Loose or bent drum or rotor | Retighten or replace. |

GENERAL DIAGNOSTICS

BRAKE

| | Trouble and possible cause | Corrective action |
|---|--|---------------------------------|
| 7. Brake noise (3) (click sound) | In the case of the disc brake: | |
| | (1) Excessively worn pad or the support | Replace the pad or the support. |
| | In the case of the drum brake: | |
| | (1) Excessively worn shoe ridge | Replace the back plate. |
| | (2) Lack of oil on the shoe ridge surface and anchor | Add more grease. |