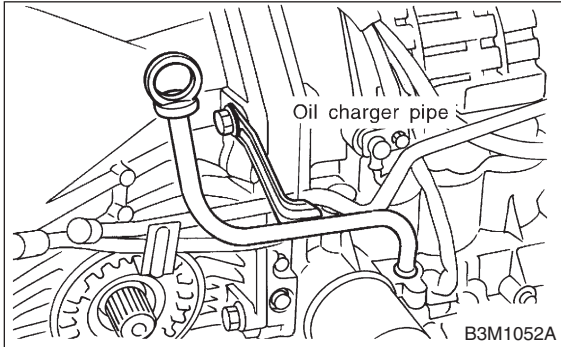


## 4. Oil Charger Pipe S510203

### A: REMOVAL S510203A18

Remove the oil charger pipe, and remove the O-ring from the flange face. Attach the O-ring to the pipe.



### B: INSTALLATION S510203A11

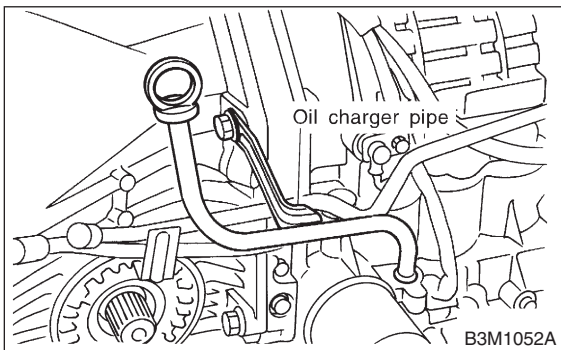
Install the oil charge pipe with O-ring.

#### CAUTION:

Be careful not to damage the O-ring.

#### Tightening torque:

**41 N·m (4.2 kgf-m, 30.4 ft-lb)**



### C: INSPECTION S510203A10

Make sure the oil charge pipe is not deformed or otherwise damaged.