

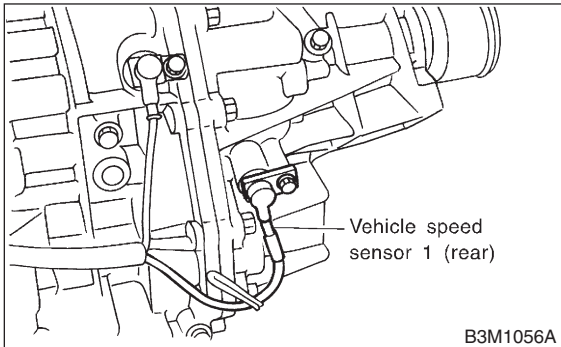
PARKING PAWL

Automatic Transmission

13. Parking Pawl S510201

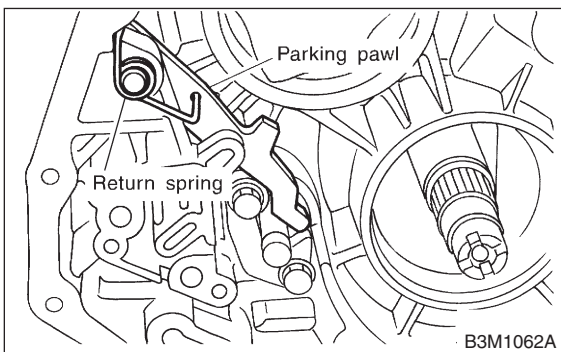
A: REMOVAL S510201A18

- 1) Remove vehicle speed sensor 1 (rear).



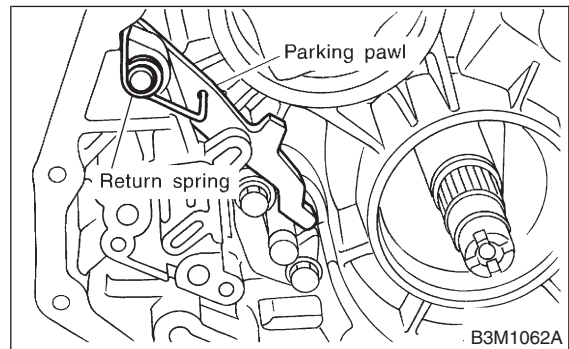
- 2) Separate transmission case and extension case sections. <Ref. to AT-31 REMOVAL, Extension Case.>

- 3) Remove the parking pawl, return spring and shaft.



B: INSTALLATION S510201A11

- 1) Install the parking pawl, shaft and return spring.



- 2) Install the extension case to the transmission case. <Ref. to AT-31 INSTALLATION, Extension Case.>

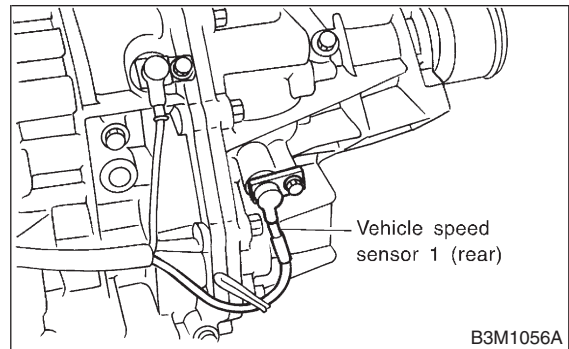
CAUTION:

Be sure to use a new gasket.

- 3) Install the vehicle speed sensor 1 (rear).

Tightening torque:

7 N·m (0.7 kgf-m, 5.1 ft-lb)



C: INSPECTION S510201A10

Make sure that the tab of the packing pole on the reduction gear is not worn or otherwise damaged.