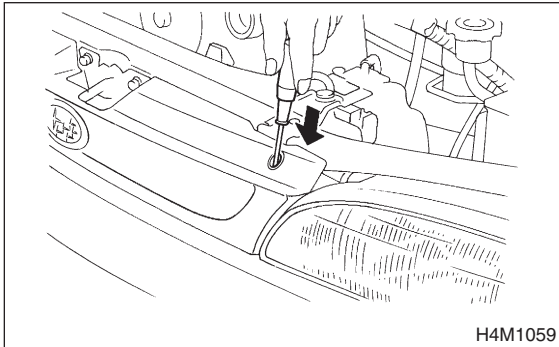


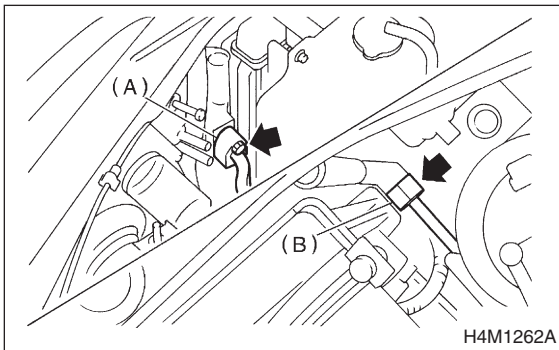
10. Condenser S701282

A: REMOVAL S701282A18

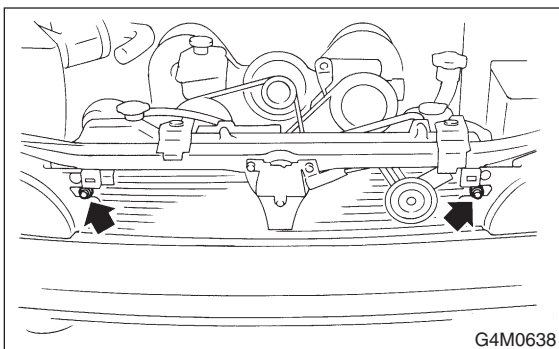
- 1) Disconnect battery negative terminal.
- 2) Discharge refrigerant using refrigerant recovery system. <Ref. to AC-16 OPERATION, Refrigerant Recovery Procedure.>
- 3) Remove front grille.



- 4) Remove the radiator bracket.
- 5) Disconnect high-pressure hose (A) and high-pressure pipe (B) from condenser.



- 6) Remove the two bolts which secure condenser. While lifting condenser, remove it through space between radiator and radiator panel.

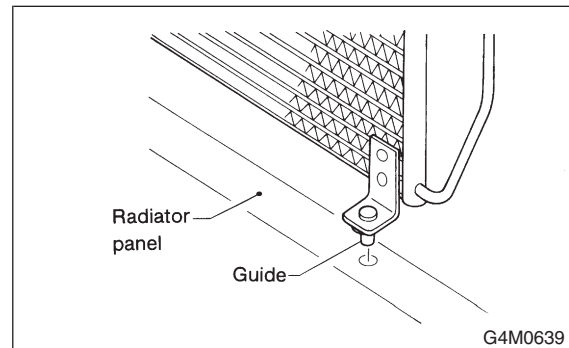


B: INSTALLATION S701282A11

- 1) The condenser should be installed in the reverse order in which it was removed. When installing the condenser, pay attention to the following:

CAUTION:
Before connecting the pipe, be sure to apply oil to the periphery of O-ring.

NOTE:
After installing condenser, ensure that guide on lower side of condenser is inserted into hole in radiator panel. Tighten attaching bolts.



- 2) Charge refrigerant. <Ref. to AC-17 OPERATION, Refrigerant Charging Procedure.>

C: INSPECTION S701282A10

- 1) Make sure the condenser fins are free from dust and insects. If the fins are clogged, clean by blowing air or water through them.

NOTE:
To prevent dust and water from getting into the condenser, this work must be done when the condenser is installed in an actual vehicle.

- 2) Check the condenser to see if it shows any sign of oil. If oil ooze or gas leak occur from the condenser, replace it with a new one.