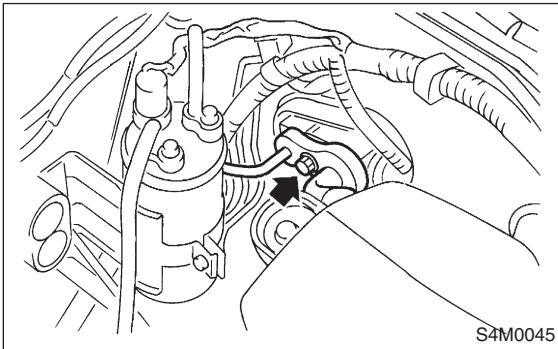


12. Intake Unit with Evaporator

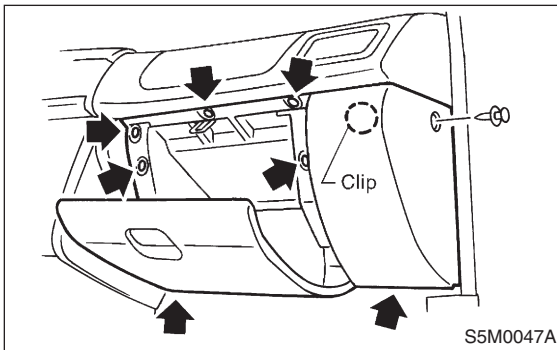
S701280

A: REMOVAL S701280A18

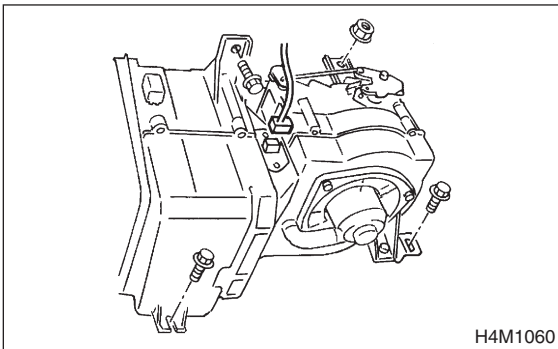
- 1) Disconnect battery negative terminal.
- 2) Discharge refrigerant using refrigerant recovery system. <Ref. to AC-16 OPERATION, Refrigerant Recovery Procedure .>
- 3) Remove bolt, then disconnect discharge pipe and suction pipe.



- 4) Remove glove box.



- 5) Disconnect the harness connector from evaporator.
- 6) Disconnect drain hose.
- 7) Remove intake unit mounting bolt and nut.



B: INSTALLATION S701280A11

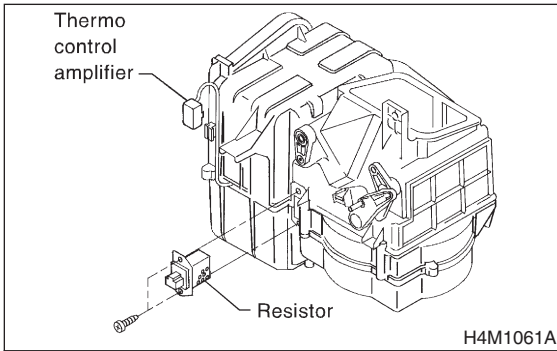
- 1) Install in the reverse order of removal.
- 2) Charge refrigerant. <Ref. to AC-17 OPERATION, Refrigerant Charging Procedure.>

INTAKE UNIT WITH EVAPORATOR

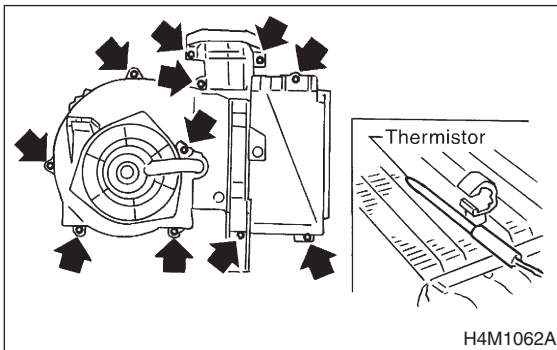
HVAC System (Heater, Ventilator and A/C)

C: DISASSEMBLY S701280A06

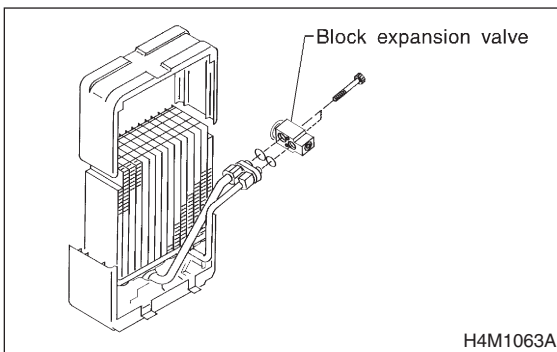
- 1) Remove resistor assembly and remove thermo control amplifier from intake unit case.



- 2) Remove some screws then separate intake unit case.
- 3) Remove thermistor from clip with the evaporator.



- 4) Remove the block expansion valve from pipes.



- 5) Check to see if the evaporator fins are clogged. If they are, clean them with compressed air.

CAUTION:

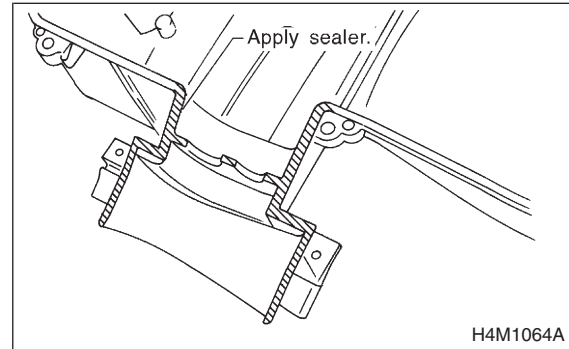
Water must never be used to clean the evaporator.

- 6) Check parts that have been removed for cracks or scratches, and repair or replace them with new ones, if necessary.

- 7) Before assembling intake unit, apply sealer to flange of intake unit case.

Sealer:

THREE BOND 1215 or equivalent



D: ASSEMBLY S701280A02

Assemble in the reverse order of disassembly.

NOTE:

Confirm that the O-ring is inserted in the specified position.