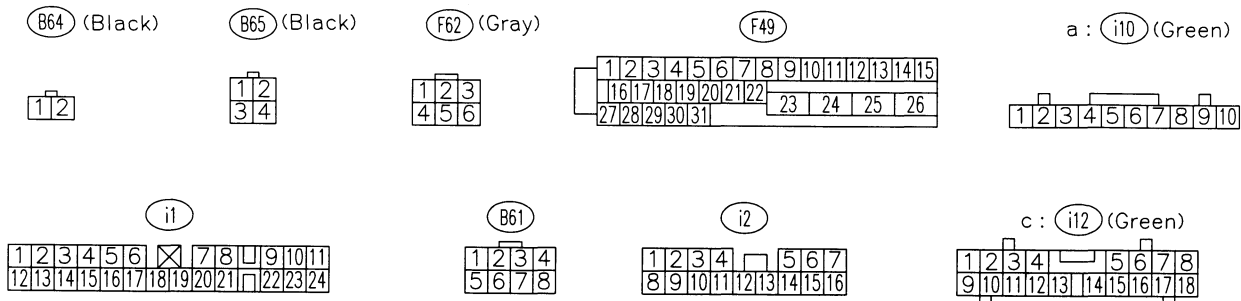
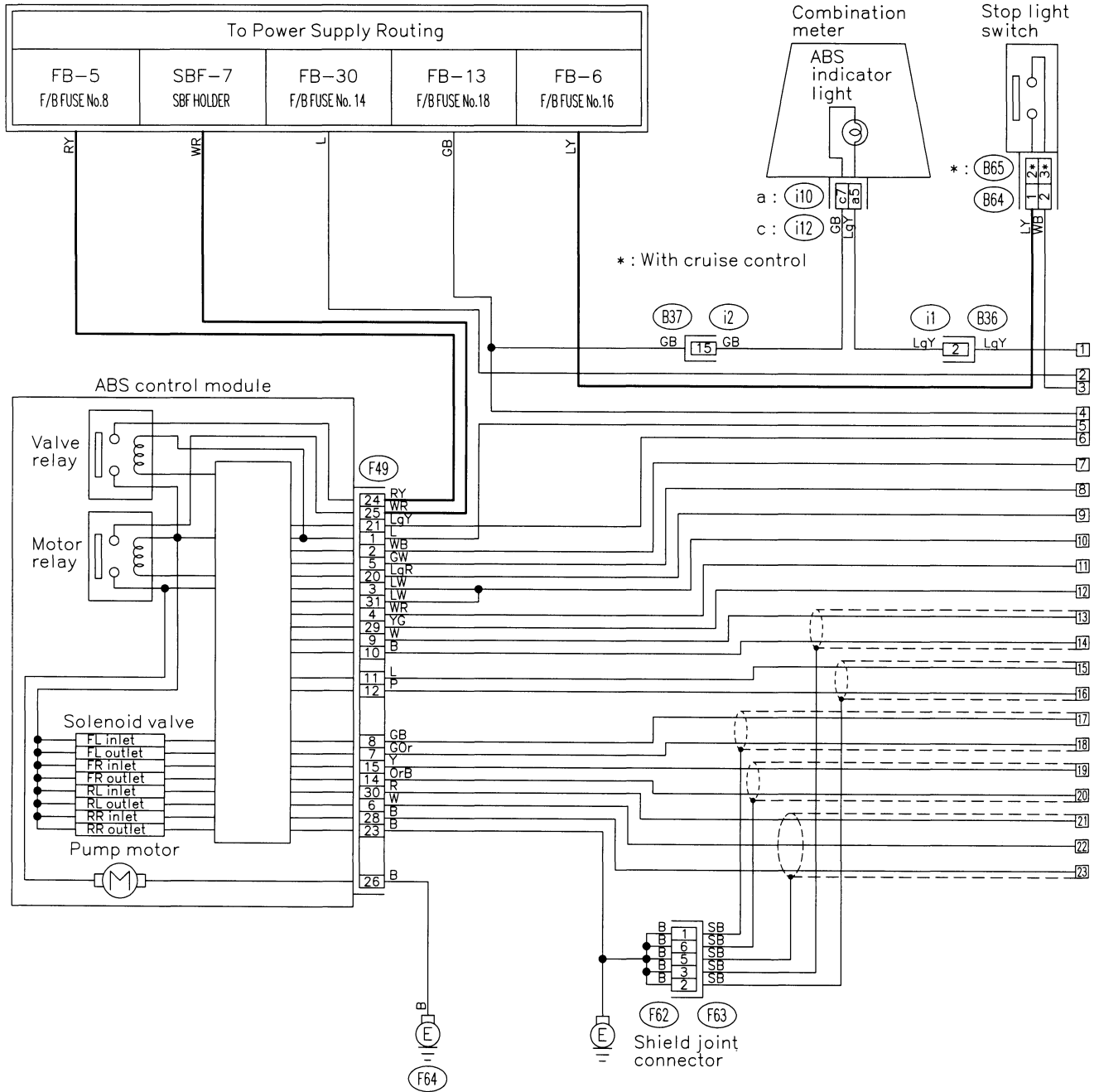


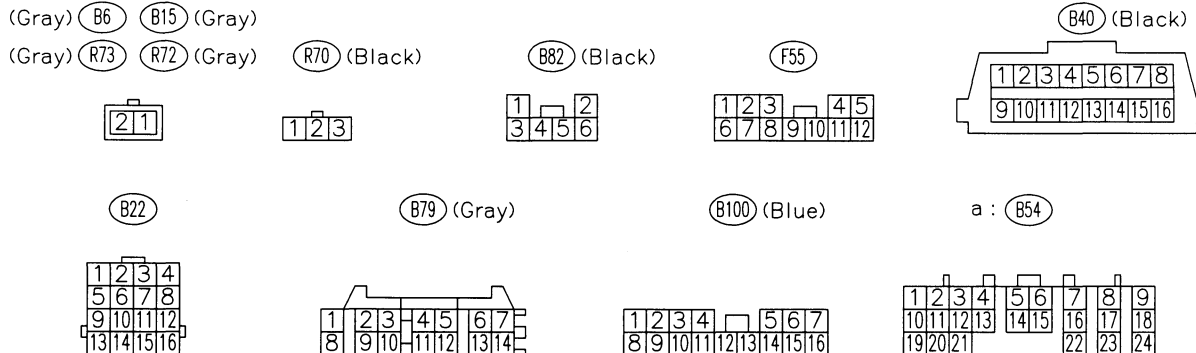
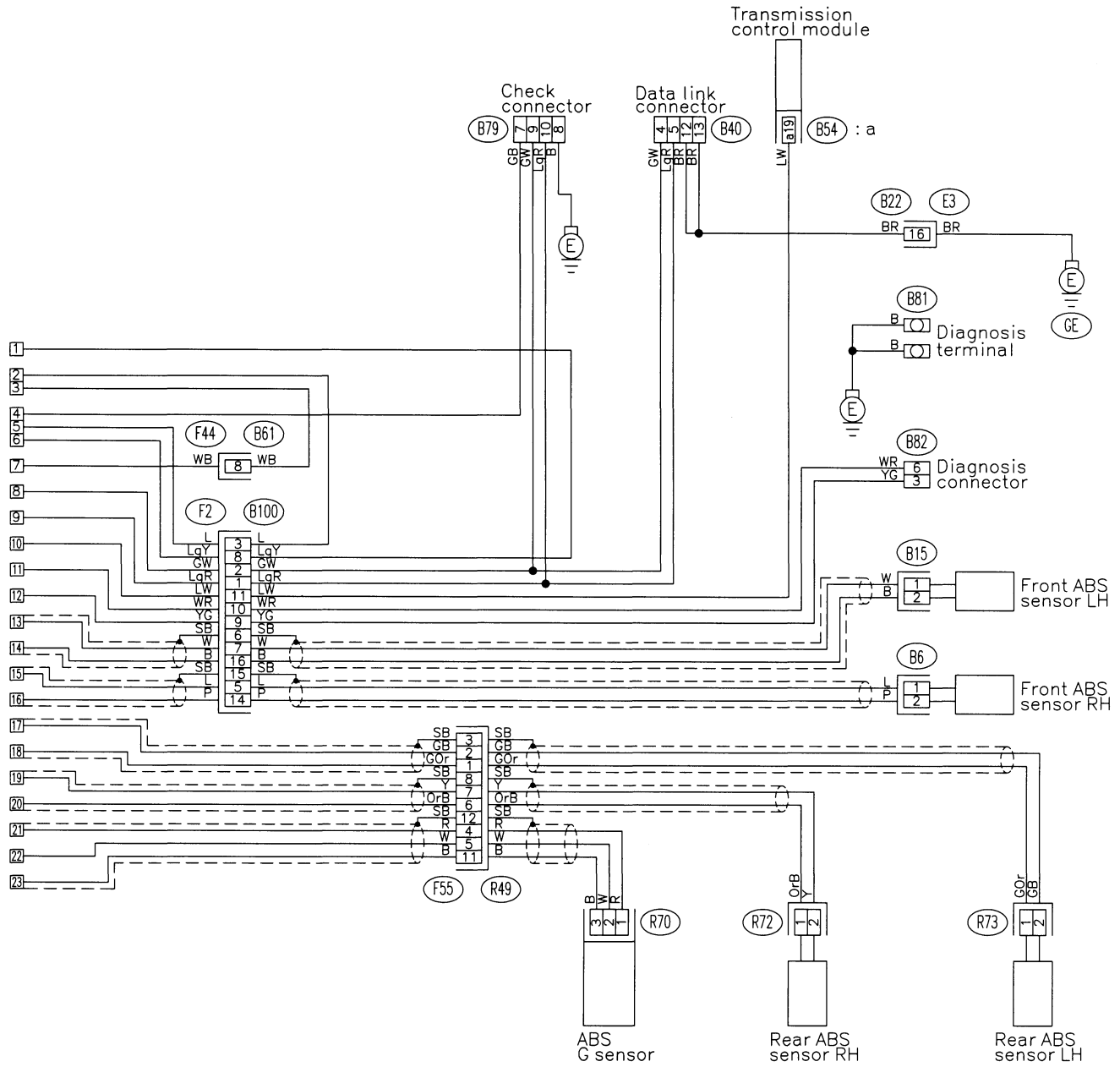
7. Anti-lock Brake System S903484

A: SCHEMATIC S903484A21



ANTI-LOCK BRAKE SYSTEM

Wiring System



GU82-07B