

## 41. Bulkhead Wiring Harness (In Engine Room) S903438

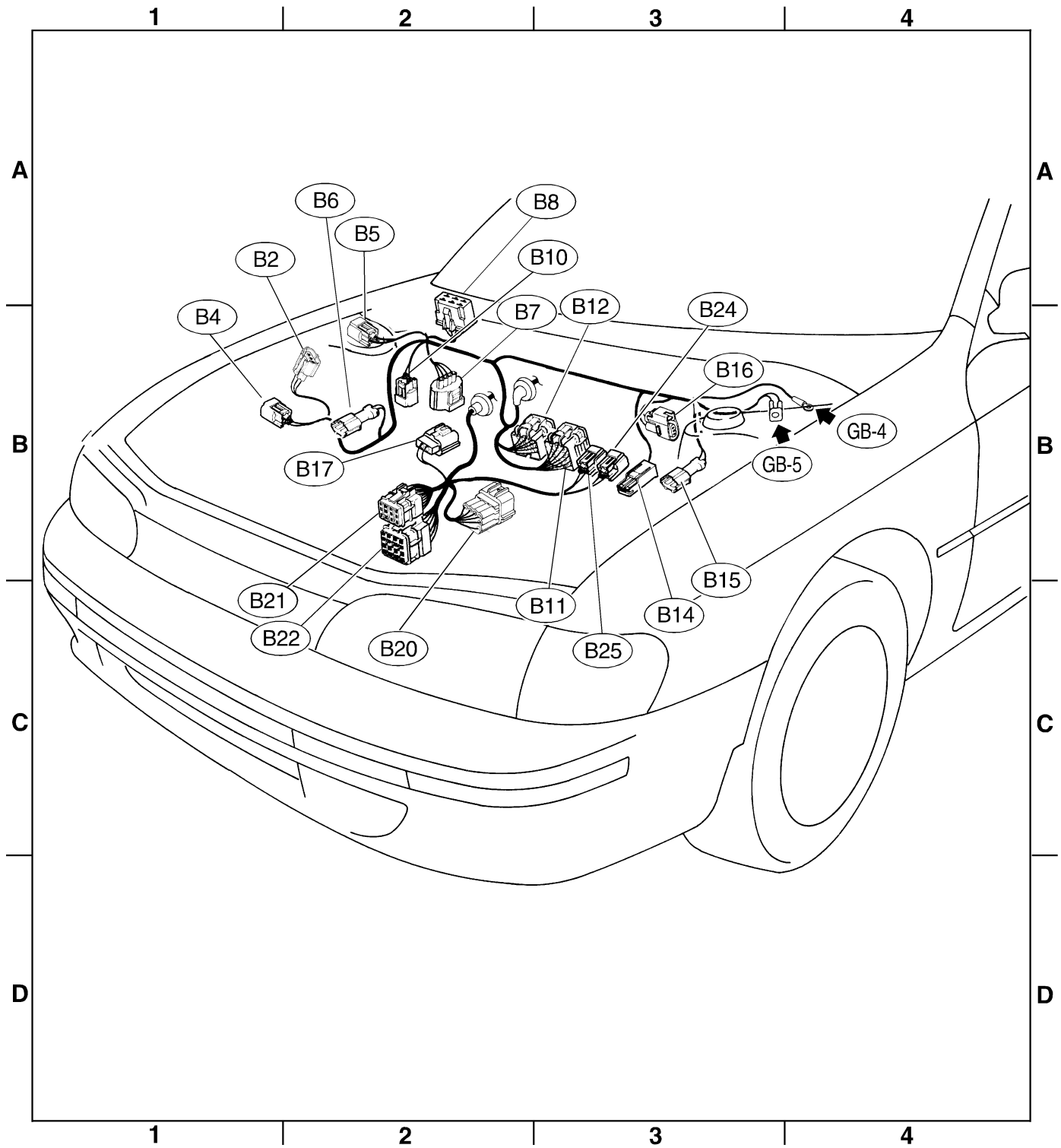
### A: LOCATION S903438A13

Connector				Connecting to	
No.	Pole	Color	Area	No.	Name
B2	3	★	B-2		Atmospheric pressure sensor (2500 cc engine model)
B4	4	Gray	B-1		AT dropping resistor
B5	2	Gray	B-2		Resistor (Daytime running light)
B6	2	★	B-2		ABS front sensor RH
B7	4	★	B-2		Cruise control actuator
B8	6	★	B-2		Front wiper motor
B10	2	Gray	B-2		A/C pressure switch
B11	20	Black	B-3	T4	Transmission (AT)
B12	12	★	B-3	T3	
B14	1	Black	B-3		Starter (Magnet)
B15	2	★	B-3		ABS front sensor LH
B16	2	Gray	B-3		Brake fluid level switch
B17	3	★	B-2		Vehicle speed sensor (MT)
B20	10	★	B-2	E1	Oxygen sensor cord
B21	20	★	B-2	E2	Engine wiring harness
B22	16	★	B-2	E3	Engine wiring harness
B24	2	Gray	B-3	T1	Back-up light switch (MT)
B25	2	Brown	B-3	T2	Neutral position switch (MT)

★: Non-colored

# BULKHEAD WIRING HARNESS (IN ENGINE ROOM)

Wiring System



H6M0783A