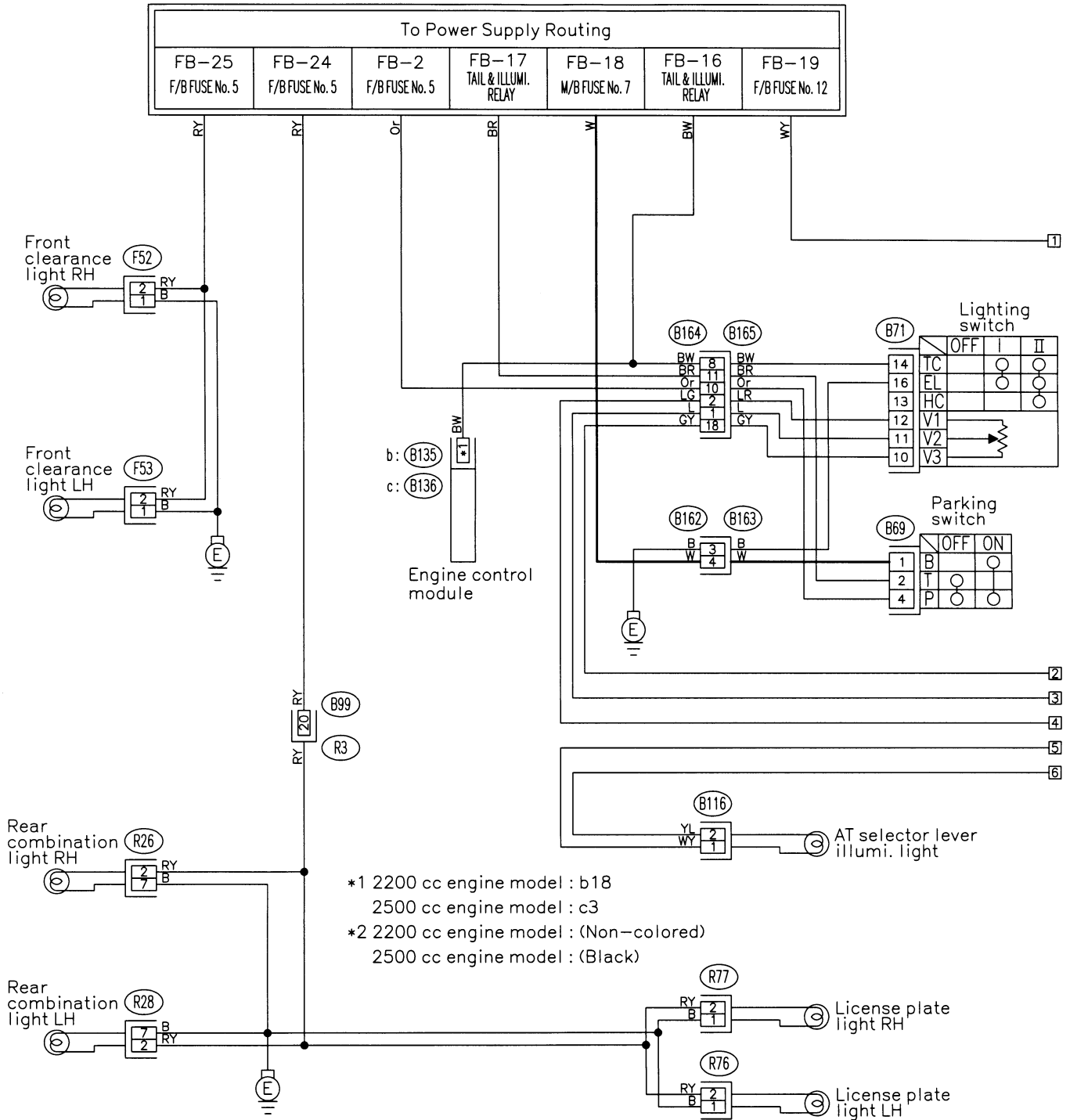
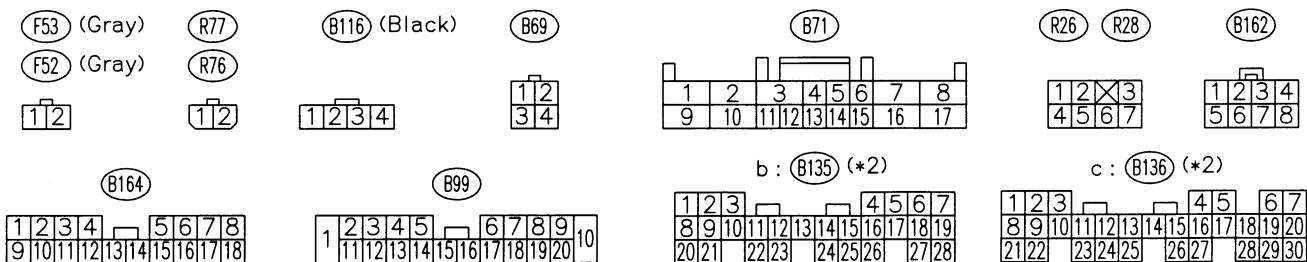


20. Clearance Light and Illumination Light System S903489

A: SCHEMATIC S903489A21

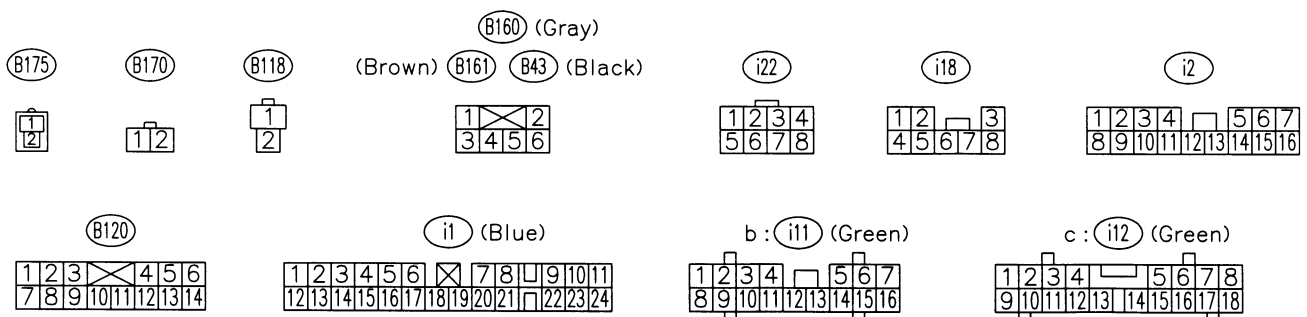
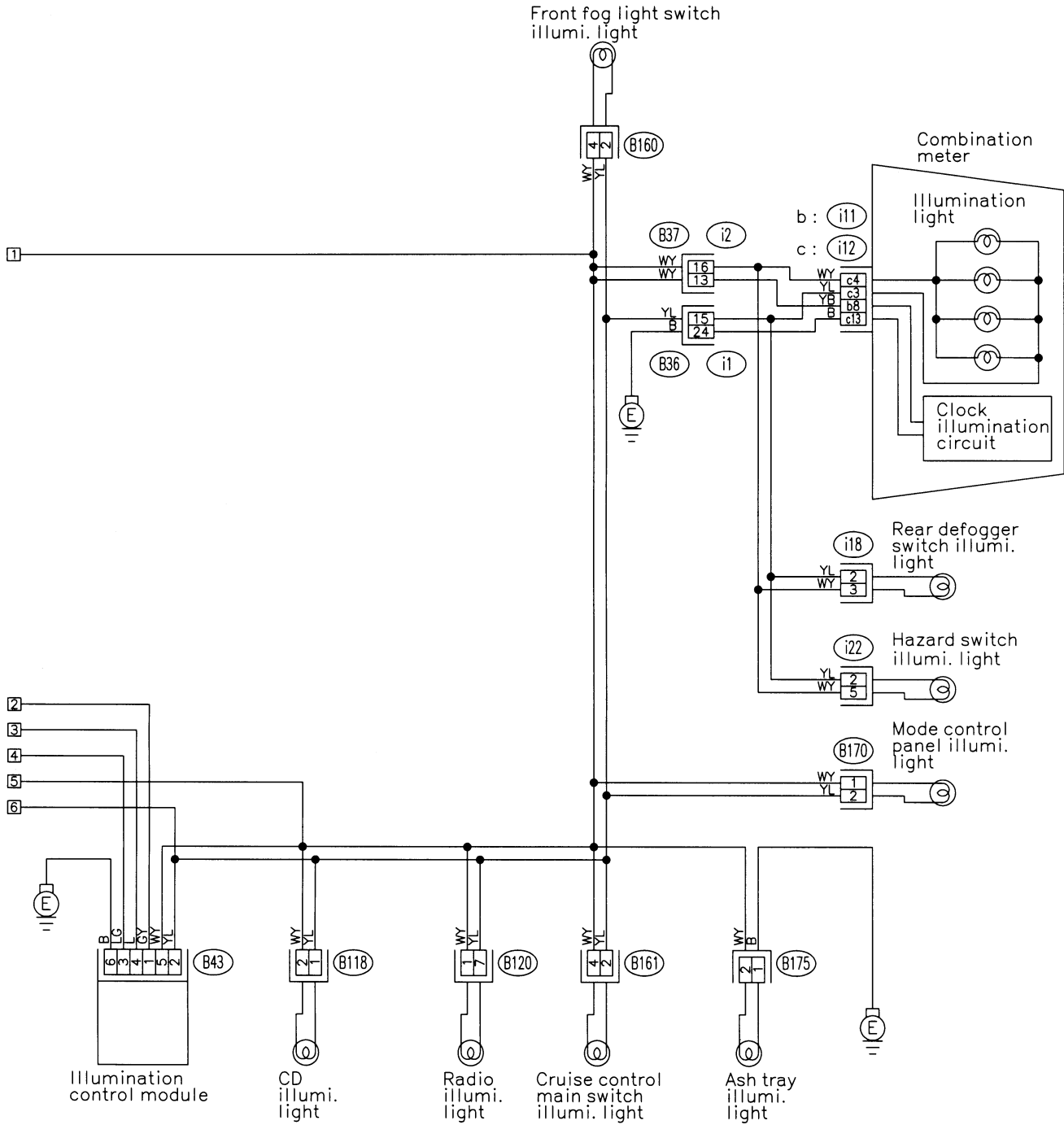


- *1 2200 cc engine model : b 18
2500 cc engine model : c3
- *2 2200 cc engine model : (Non-colored)
2500 cc engine model : (Black)



CLEARANCE LIGHT AND ILLUMINATION LIGHT SYSTEM

Wiring System



GU21-07B