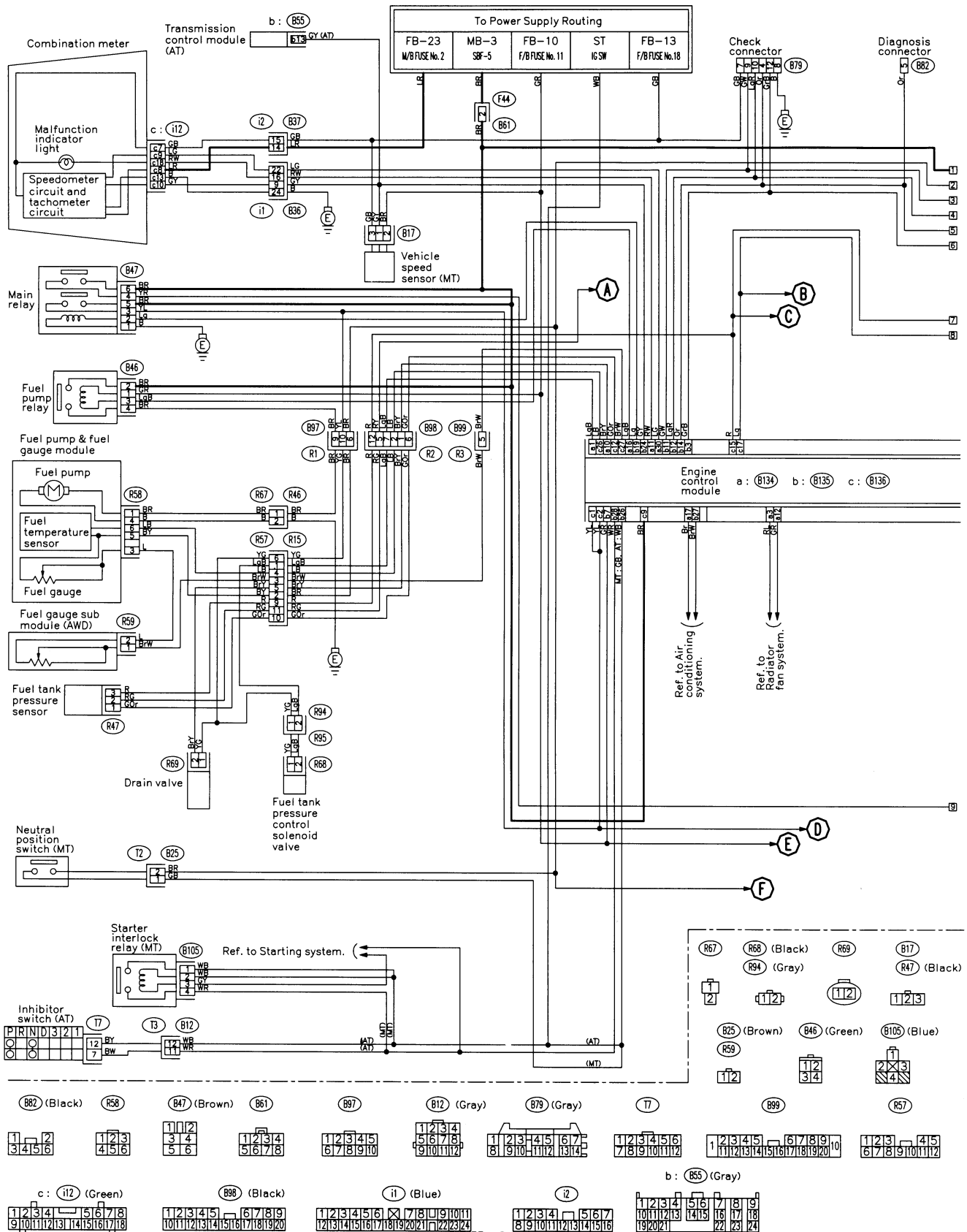


15. Engine Electrical System S903482

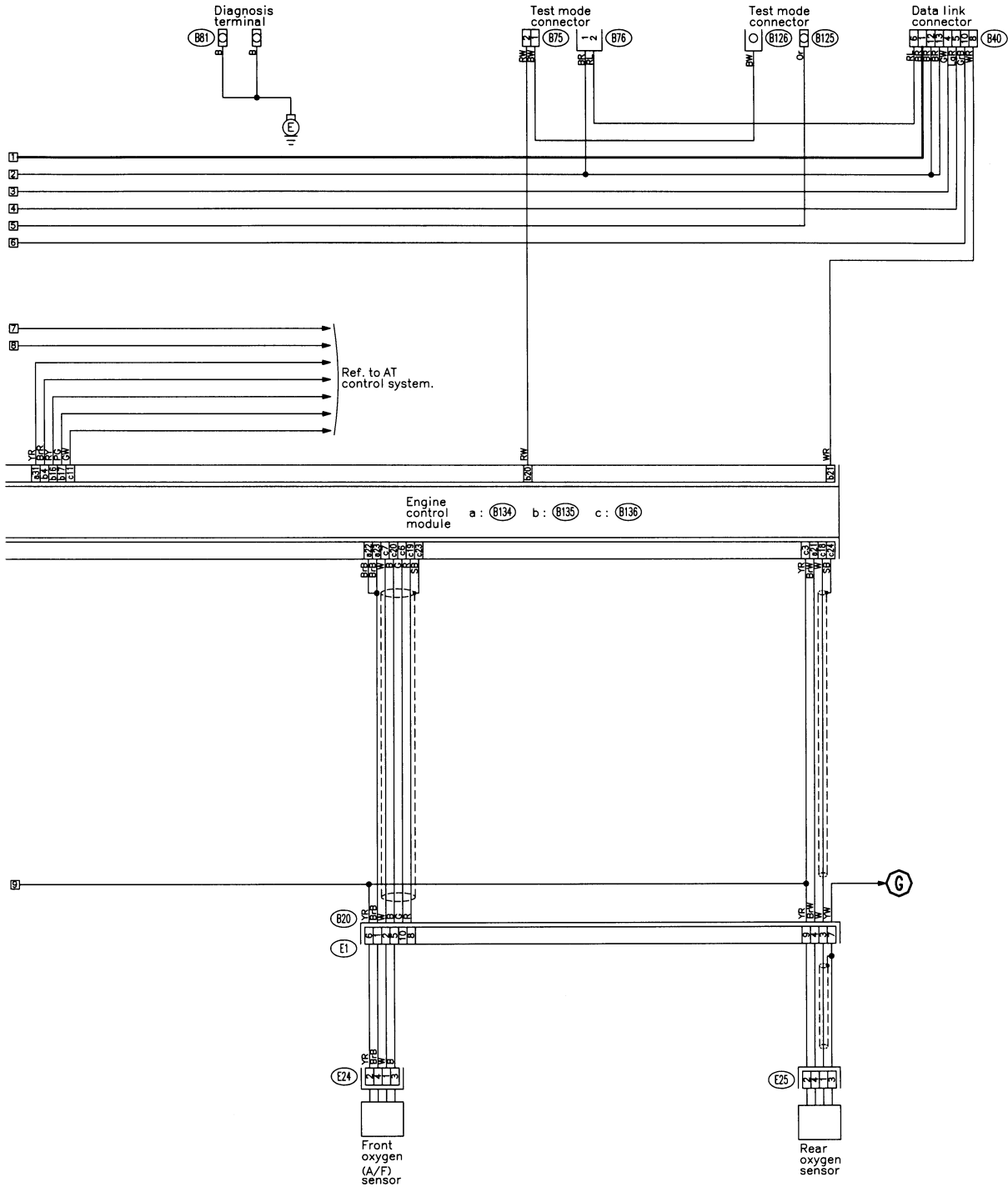
A: SCHEMATIC S903482A21

1. 2200 cc ENGINE MODEL S903482A2106

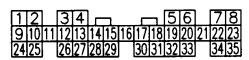
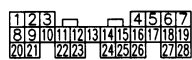
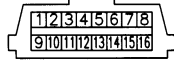
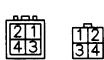


ENGINE ELECTRICAL SYSTEM

Wiring System



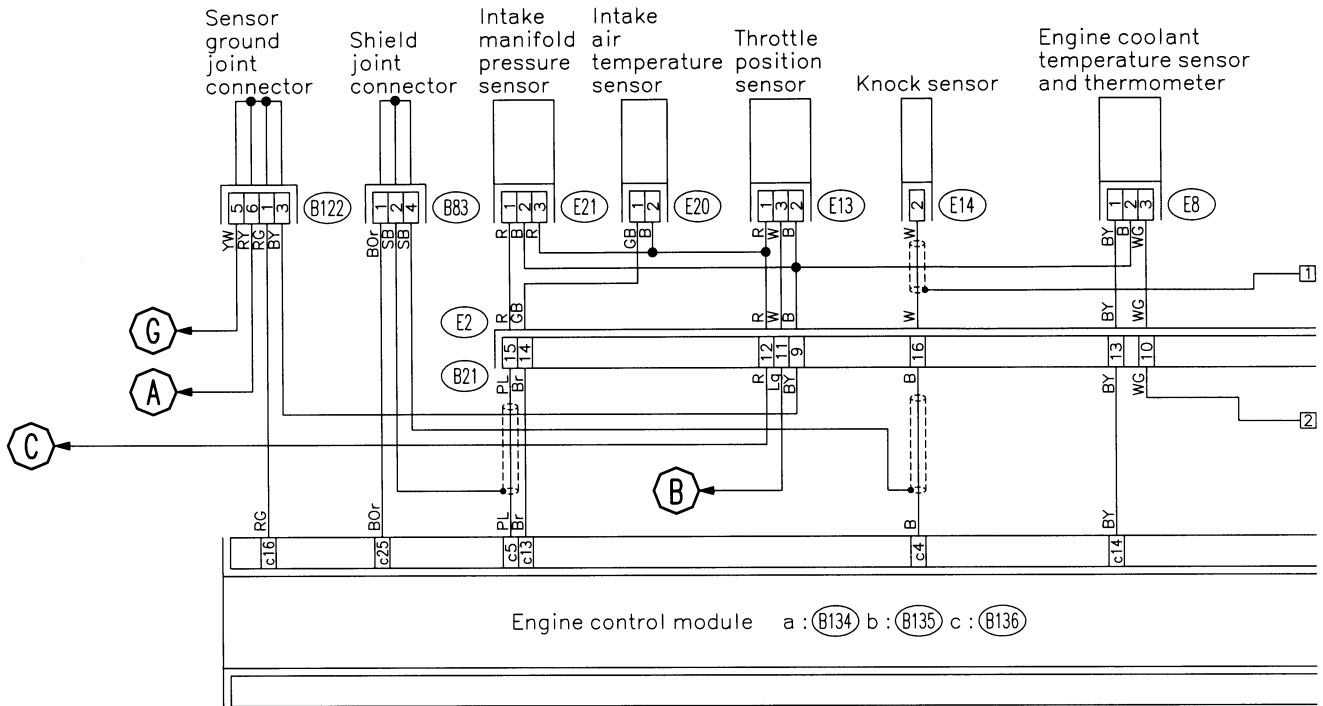
B75 (Green)
 B76 (Green)
 E25
E24
E1
B40 (Black)
 b : B135
 c : B136
 a : B134



GU10-16B

ENGINE ELECTRICAL SYSTEM

Wiring System



(E14) (Gray)
(E20) (Black)



(E21)
(E13) (Black)



(E8)



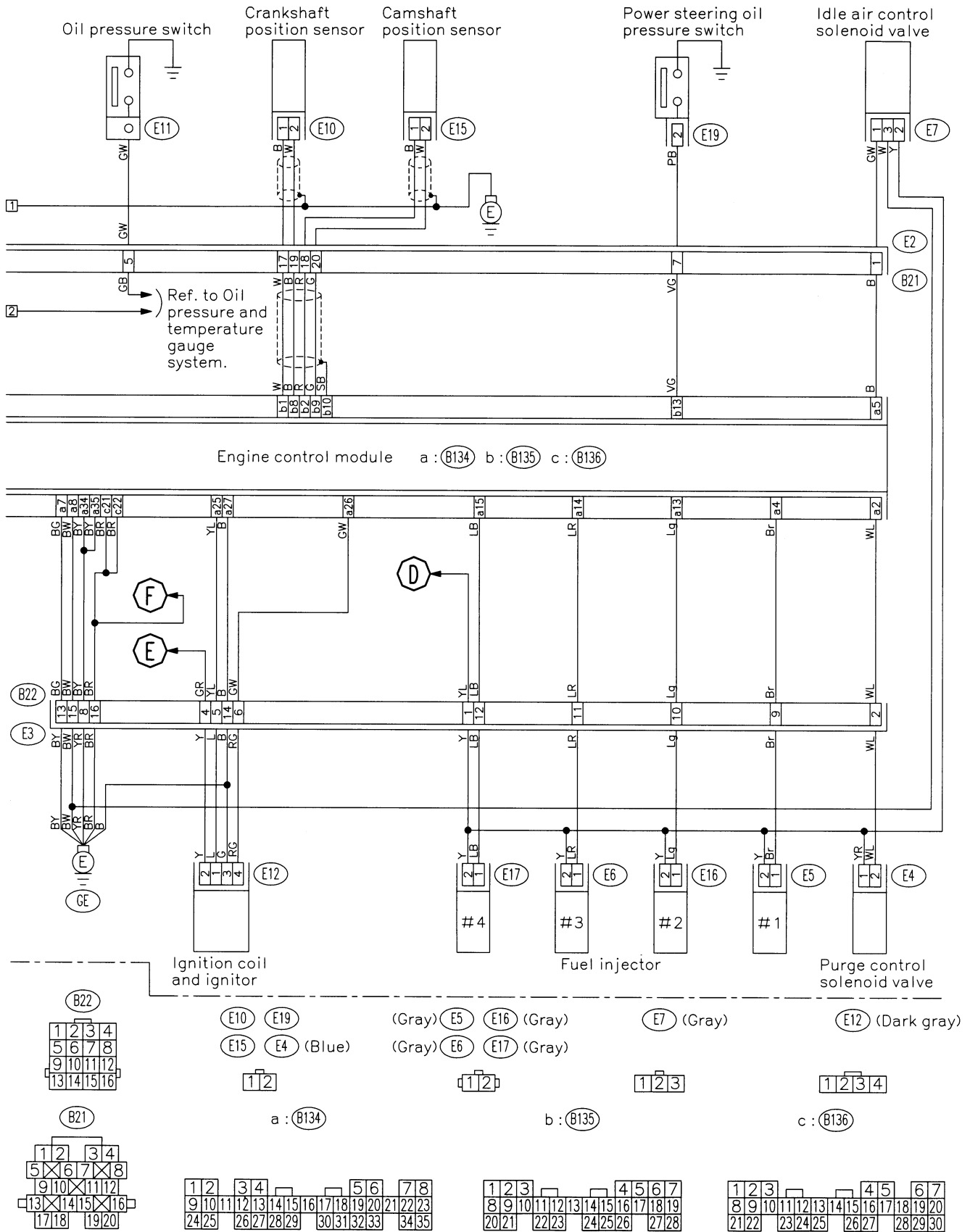
(B83)
(B122)



GU10-16C

ENGINE ELECTRICAL SYSTEM

Wiring System

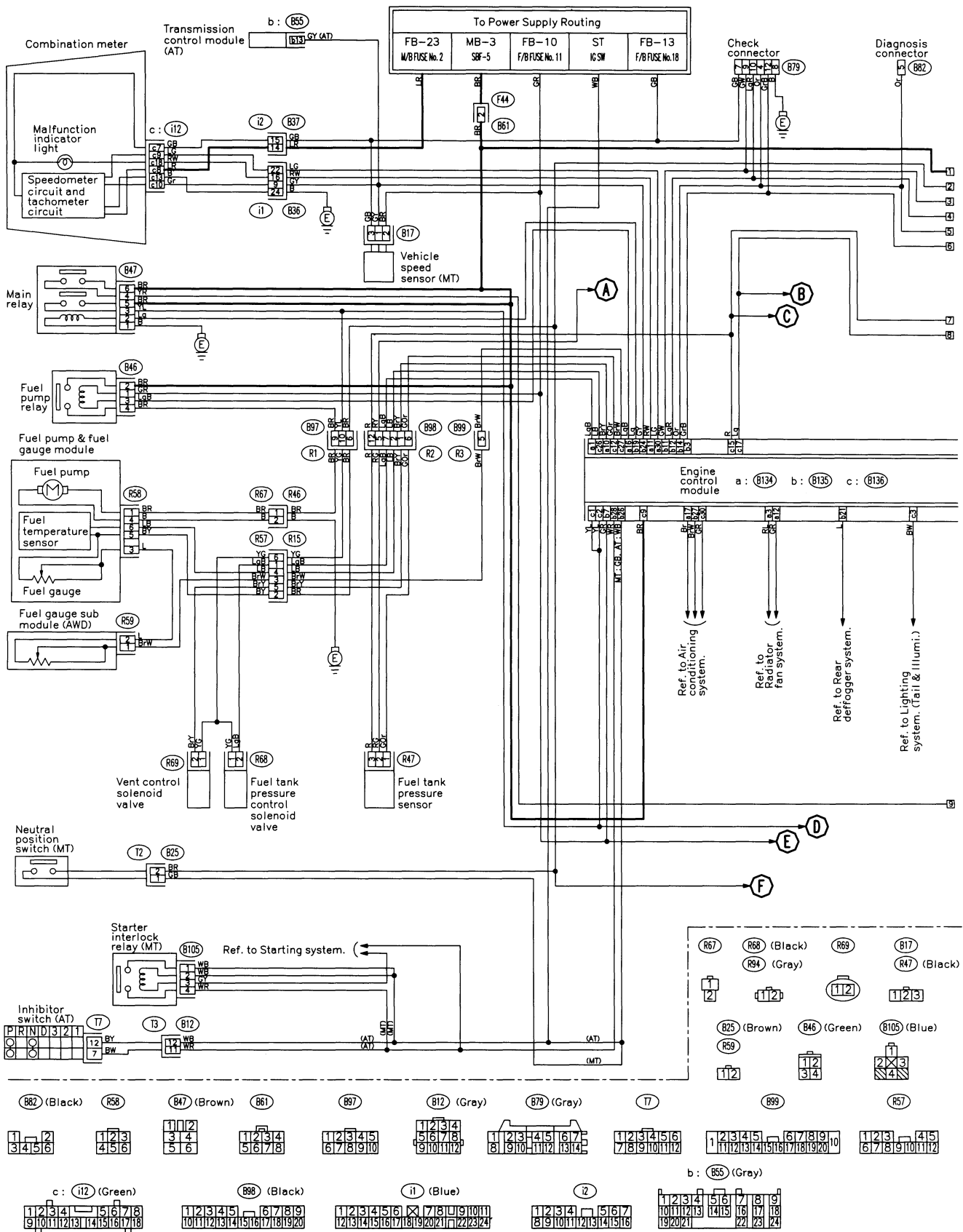


GU10-16D

ENGINE ELECTRICAL SYSTEM

Wiring System

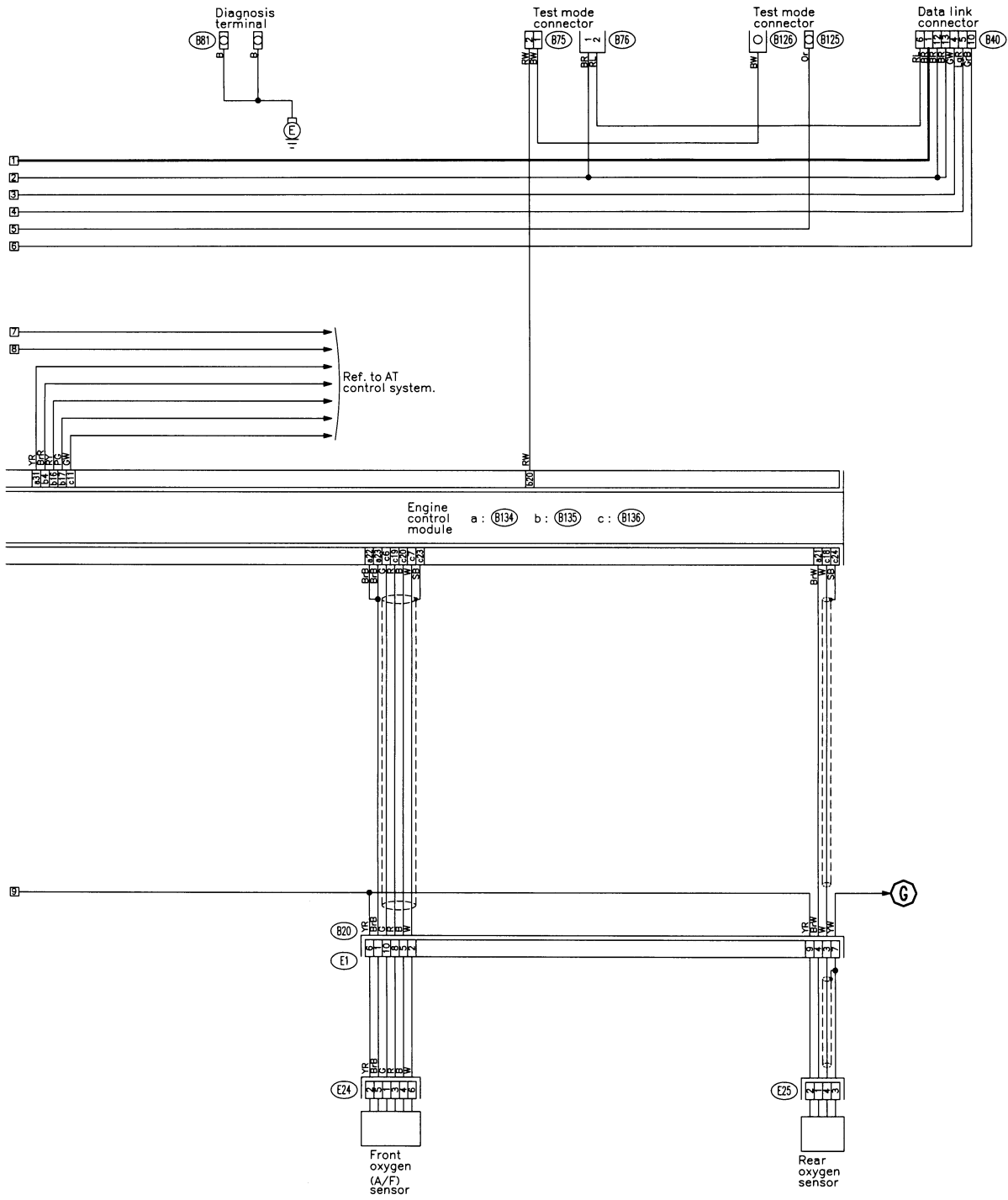
2. 2500 cc ENGINE MODEL S903482A2107



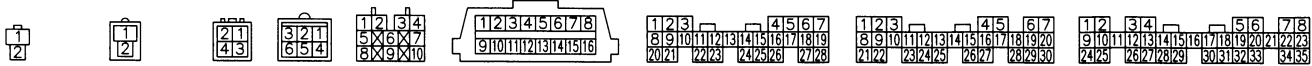
GU10-17A

ENGINE ELECTRICAL SYSTEM

Wiring System



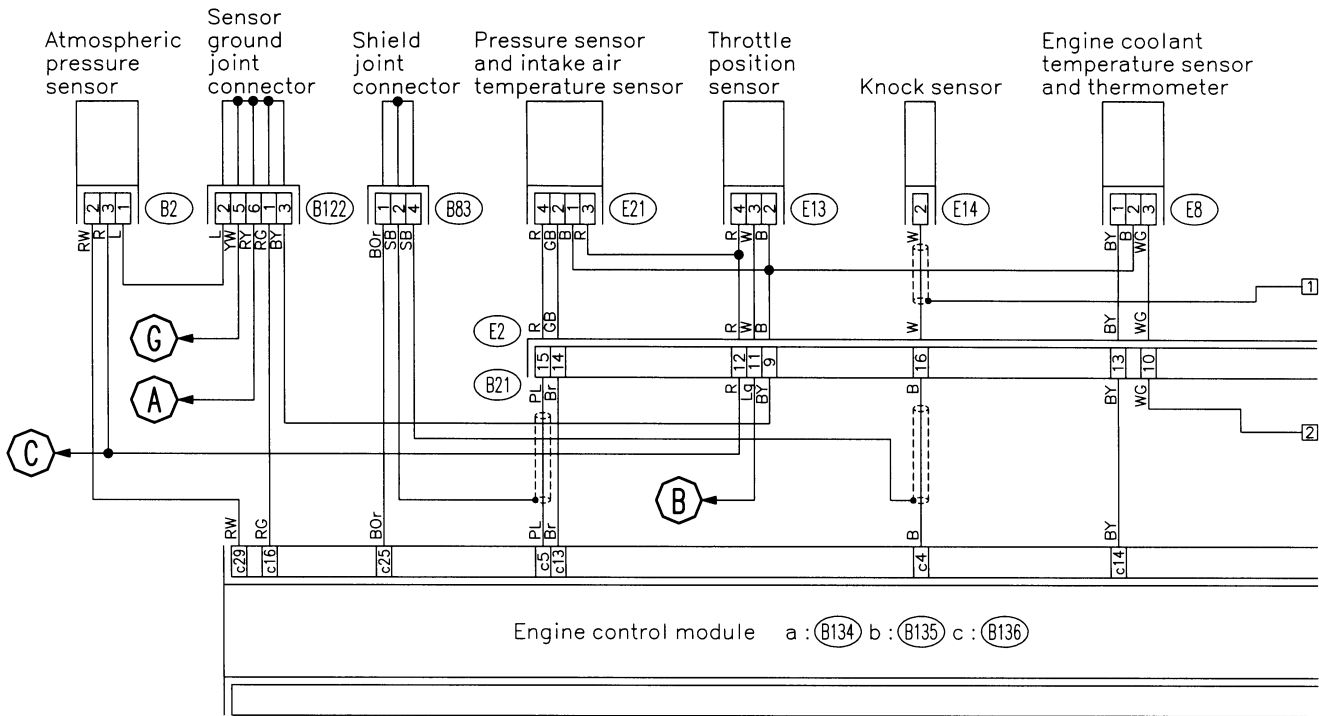
B75 (Green)
 B76 (Green)
 E25
 E24
 E1
 B40 (Black)
 b : B135 (Black)
 c : B136 (Black)
 a : B134 (Black)



GU10-17B

ENGINE ELECTRICAL SYSTEM

Wiring System



E14 (Gray)

B2

E8

E13

B83

E21

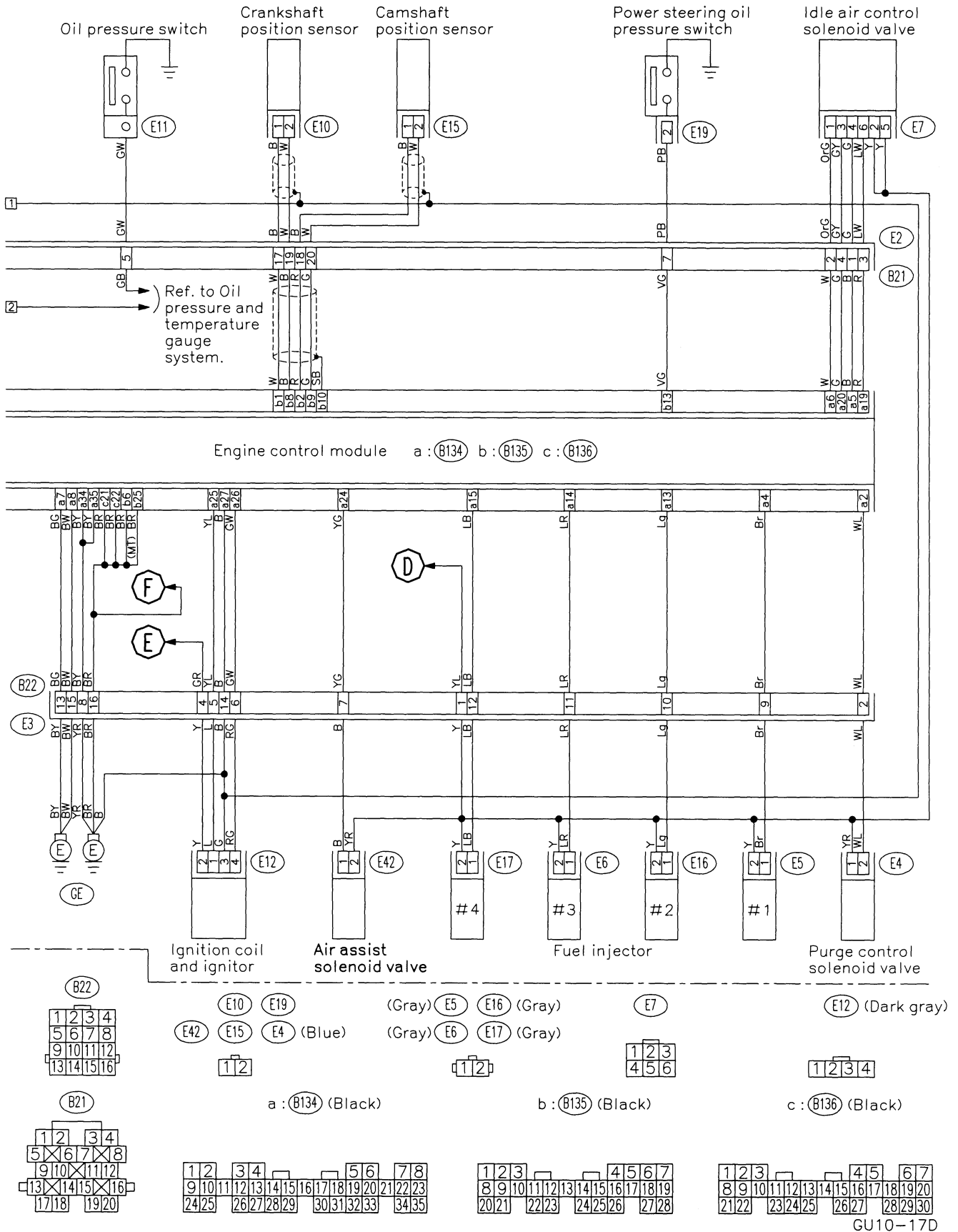
B122



GU10-17C

ENGINE ELECTRICAL SYSTEM

Wiring System



GU10-17D