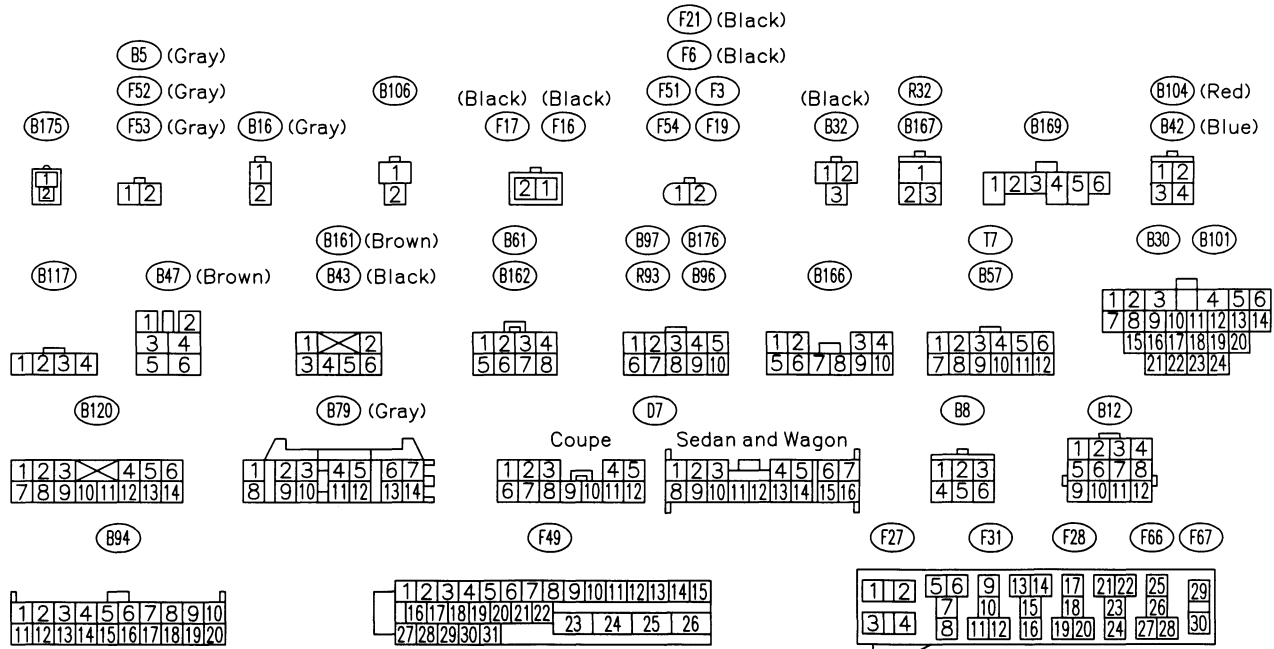
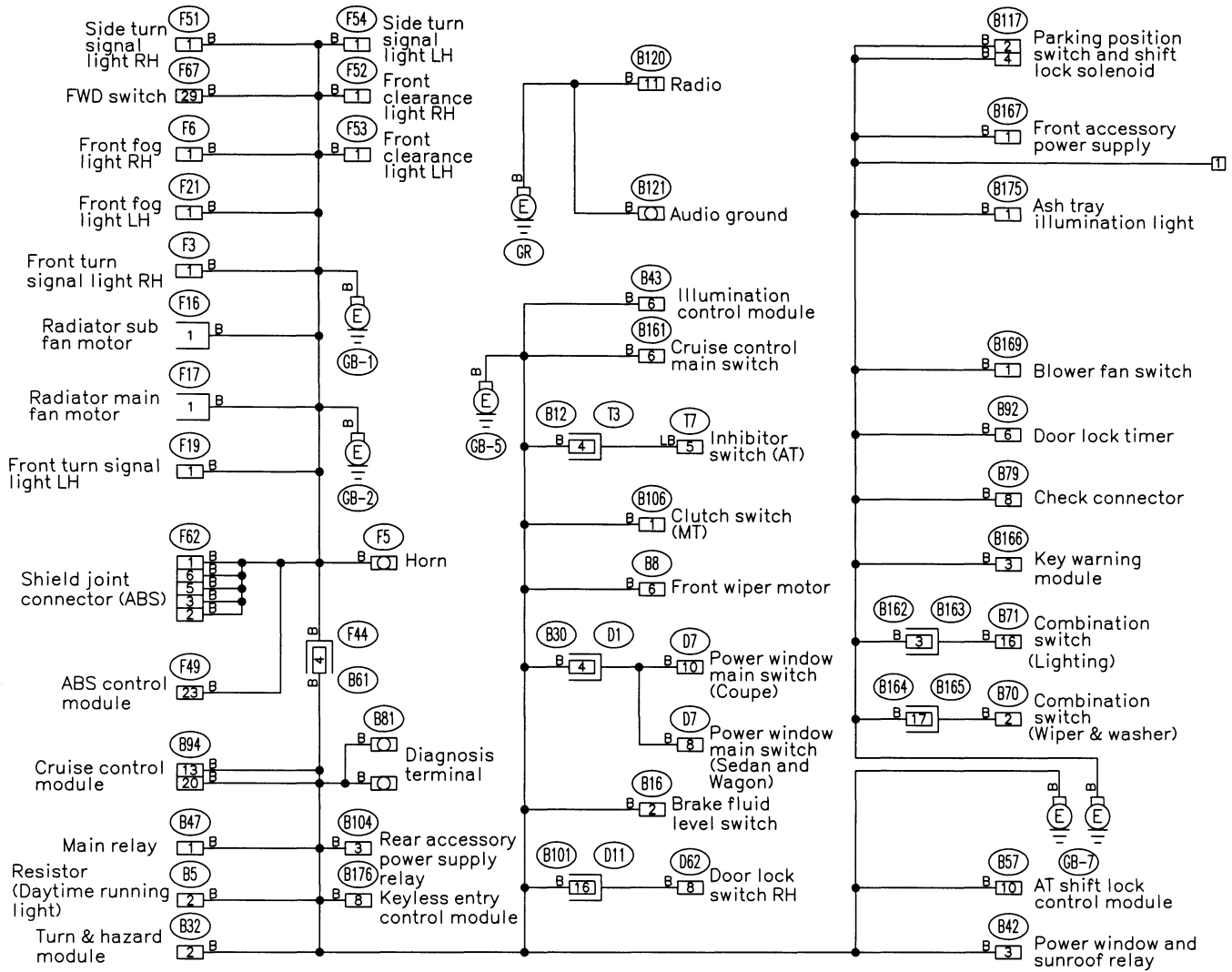


4. Ground Distribution S903472

A: SCHEMATIC S903472A21

GROUND DISTRIBUTION

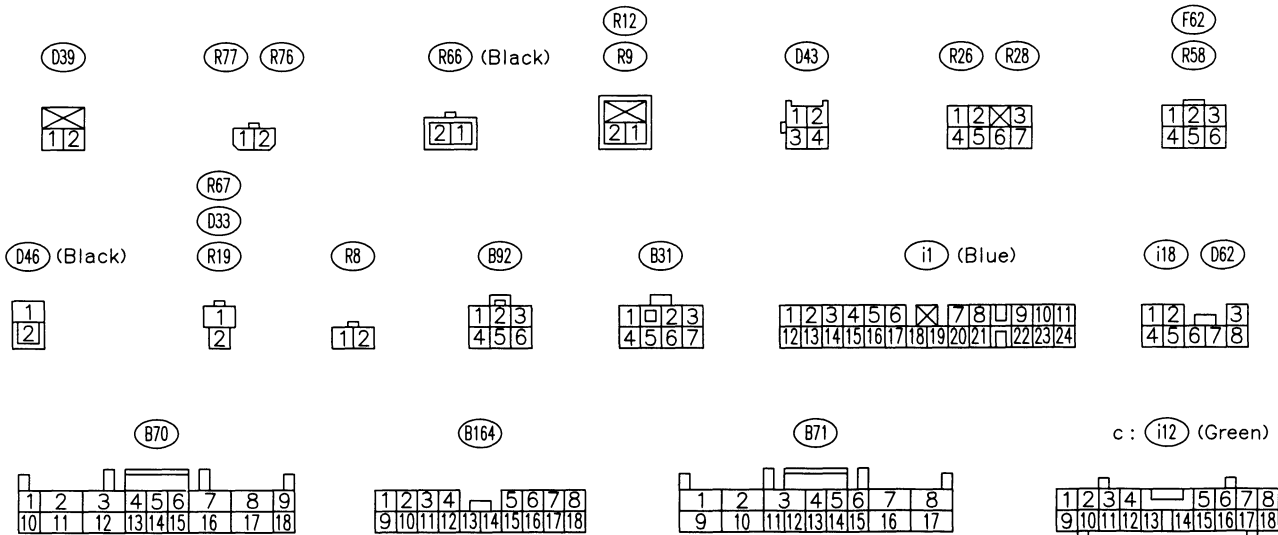
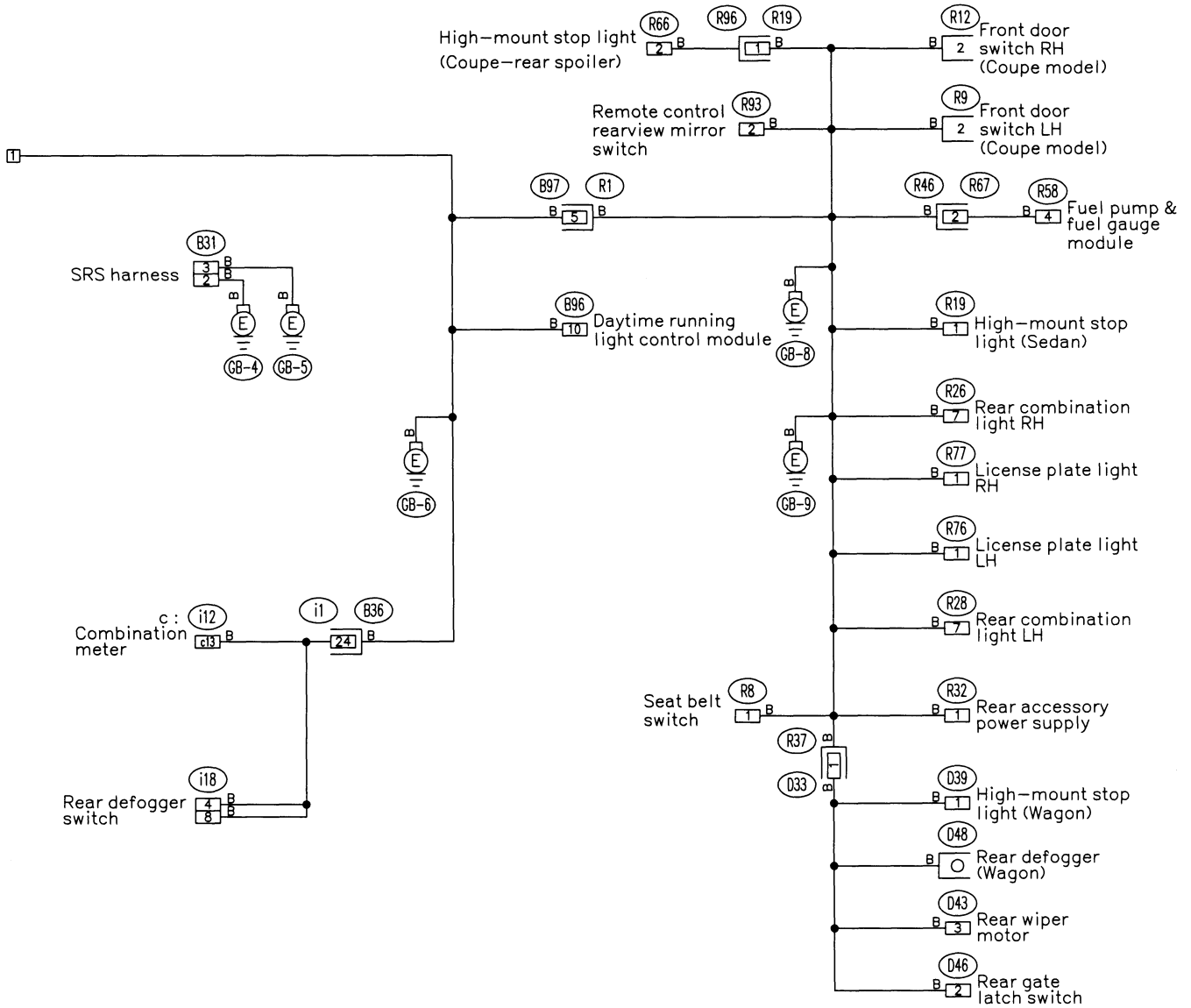
Wiring System



GU04-07A

GROUND DISTRIBUTION

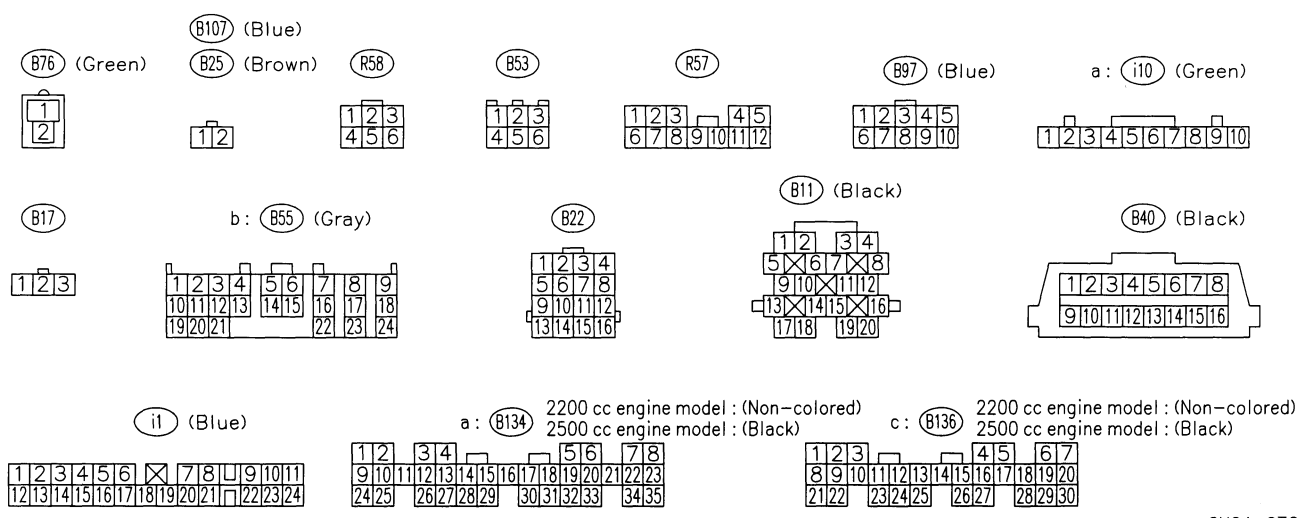
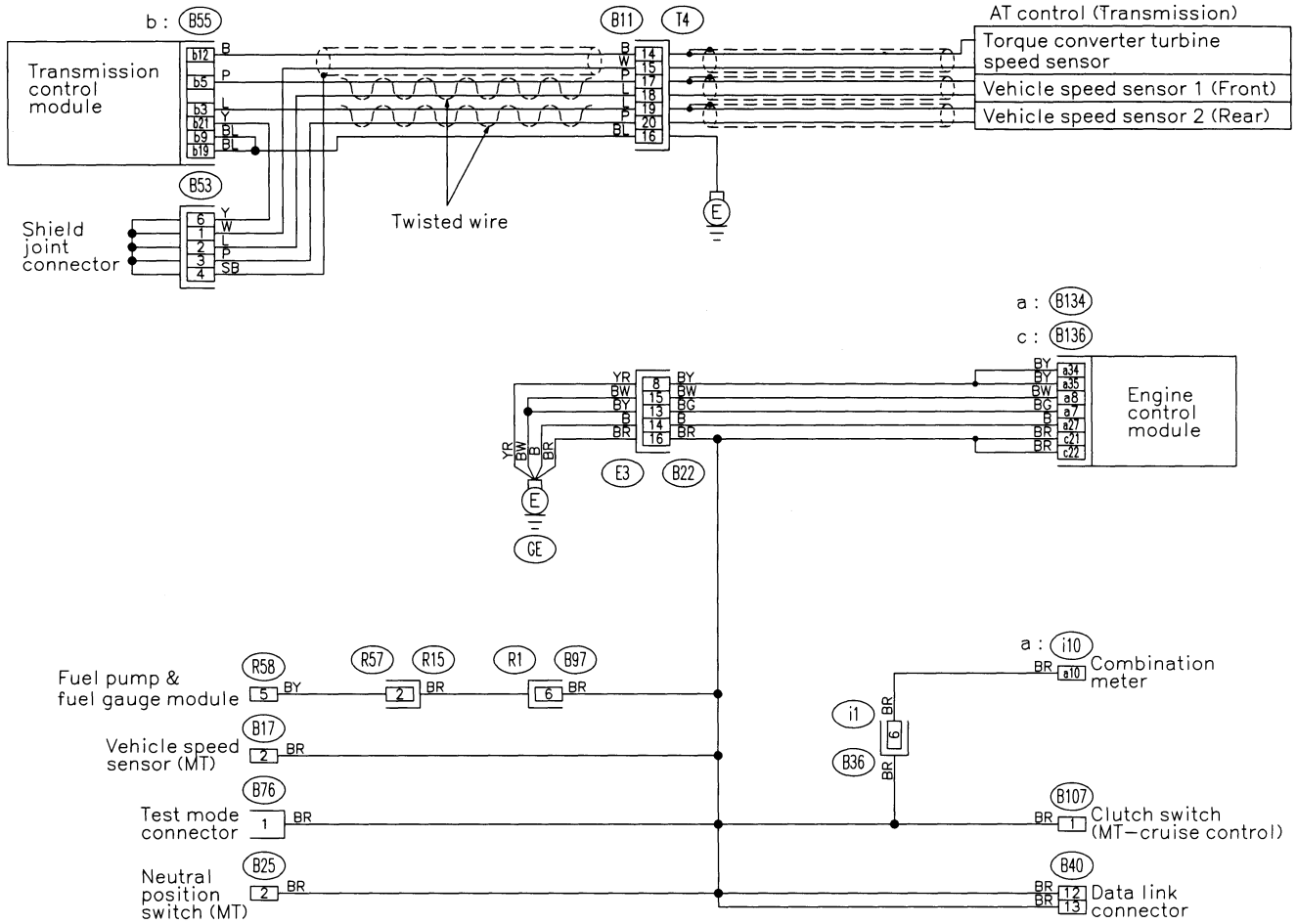
Wiring System



GU04-07B

GROUND DISTRIBUTION

Wiring System



GU04-07C