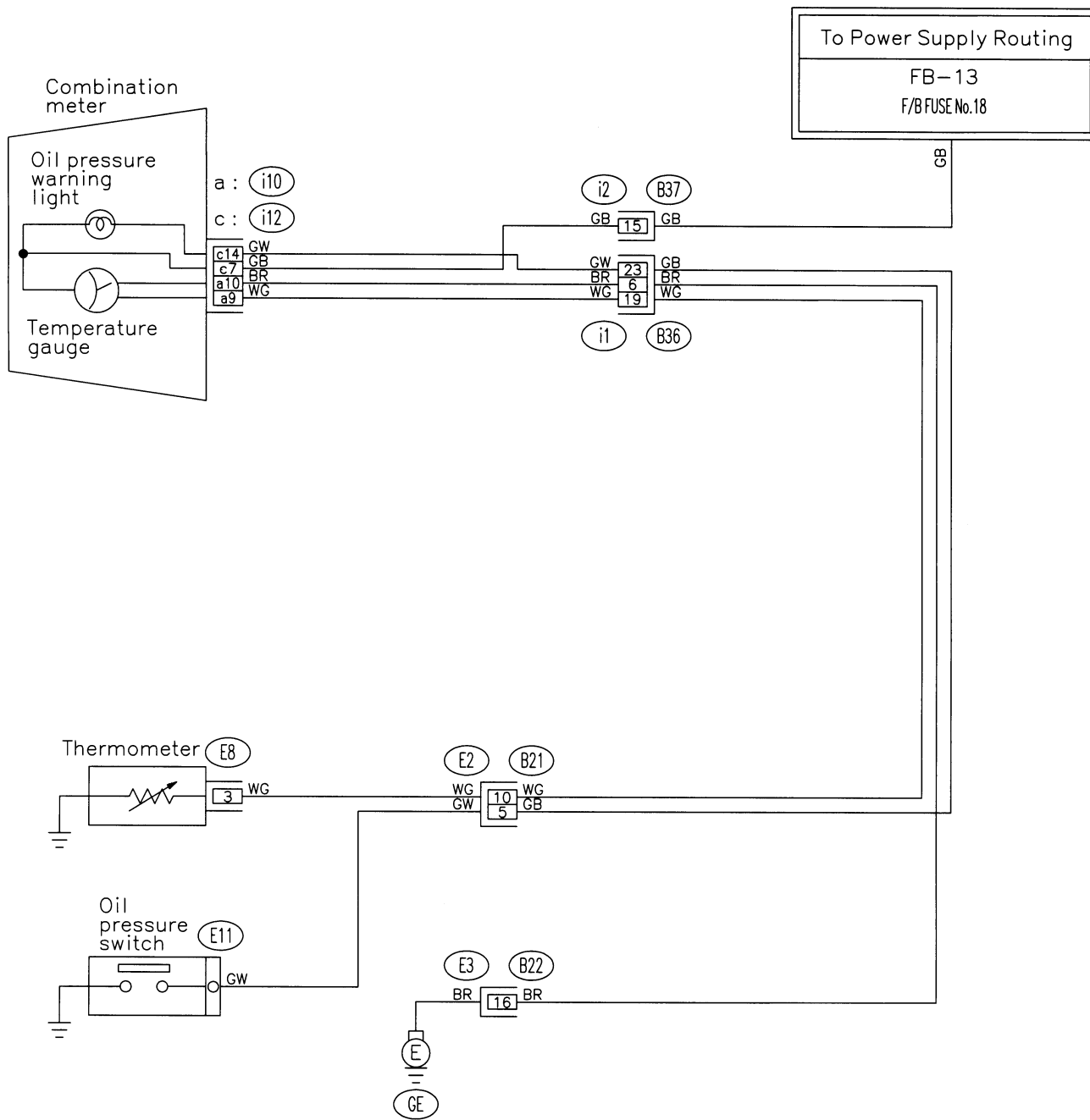


27. Oil Pressure and Temperature Gauge System S903725

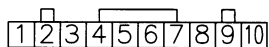
A: SCHEMATIC S903725A21



a : (i10) (Green)

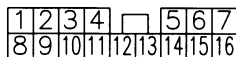
(i2)

(B21)

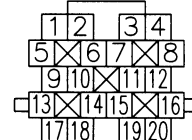


(E8) (Gray)

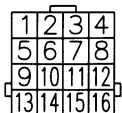
(B22)



(i1) (Blue)



c : (i12) (Green)



WI-57

