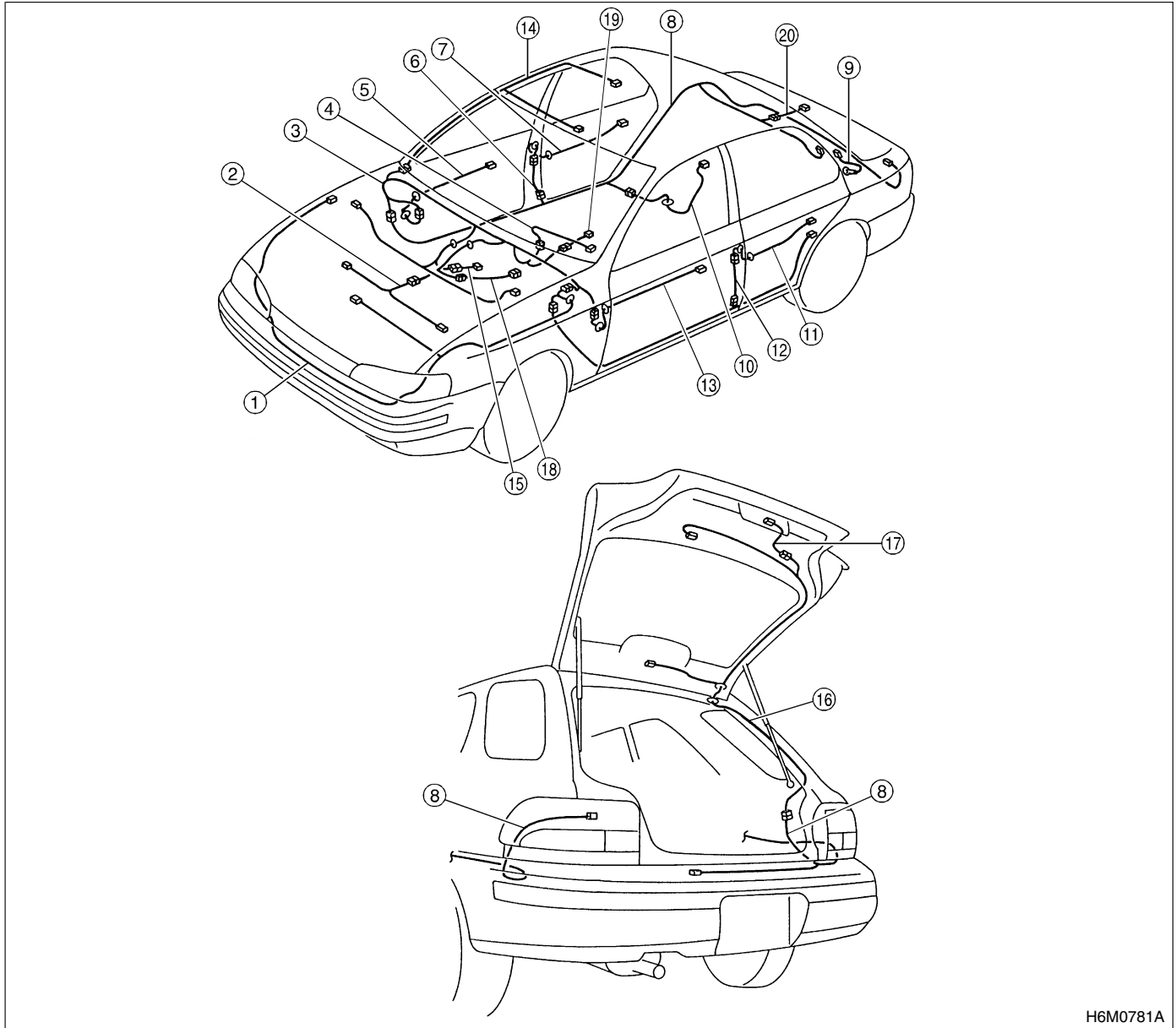


# OVERALL SYSTEMS

Wiring System

## 39. Overall Systems S903672

### A: LOCATION S903672A13



H6M0781A

- |                                     |                                 |                                  |
|-------------------------------------|---------------------------------|----------------------------------|
| (1) Front wiring harness            | (8) Rear wiring harness         | (15) Transmission cord           |
| (2) Engine wiring harness           | (9) Rear defogger cord (Ground) | (16) Rear gate cord              |
| (3) Bulkhead wiring harness         | (10) Fuel tank cord             | (17) Rear gate lock adapter cord |
| (4) Instrument panel wiring harness | (11) Rear door cord LH          | (18) Oxygen sensor cord          |
| (5) Front door cord RH              | (12) Rear door adapter cord LH  | (19) Combination switch cord     |
| (6) Rear door adapter cord RH       | (13) Front door cord LH         | (20) Trunk lid cord              |
| (7) Rear door cord RH               | (14) Roof cord                  |                                  |