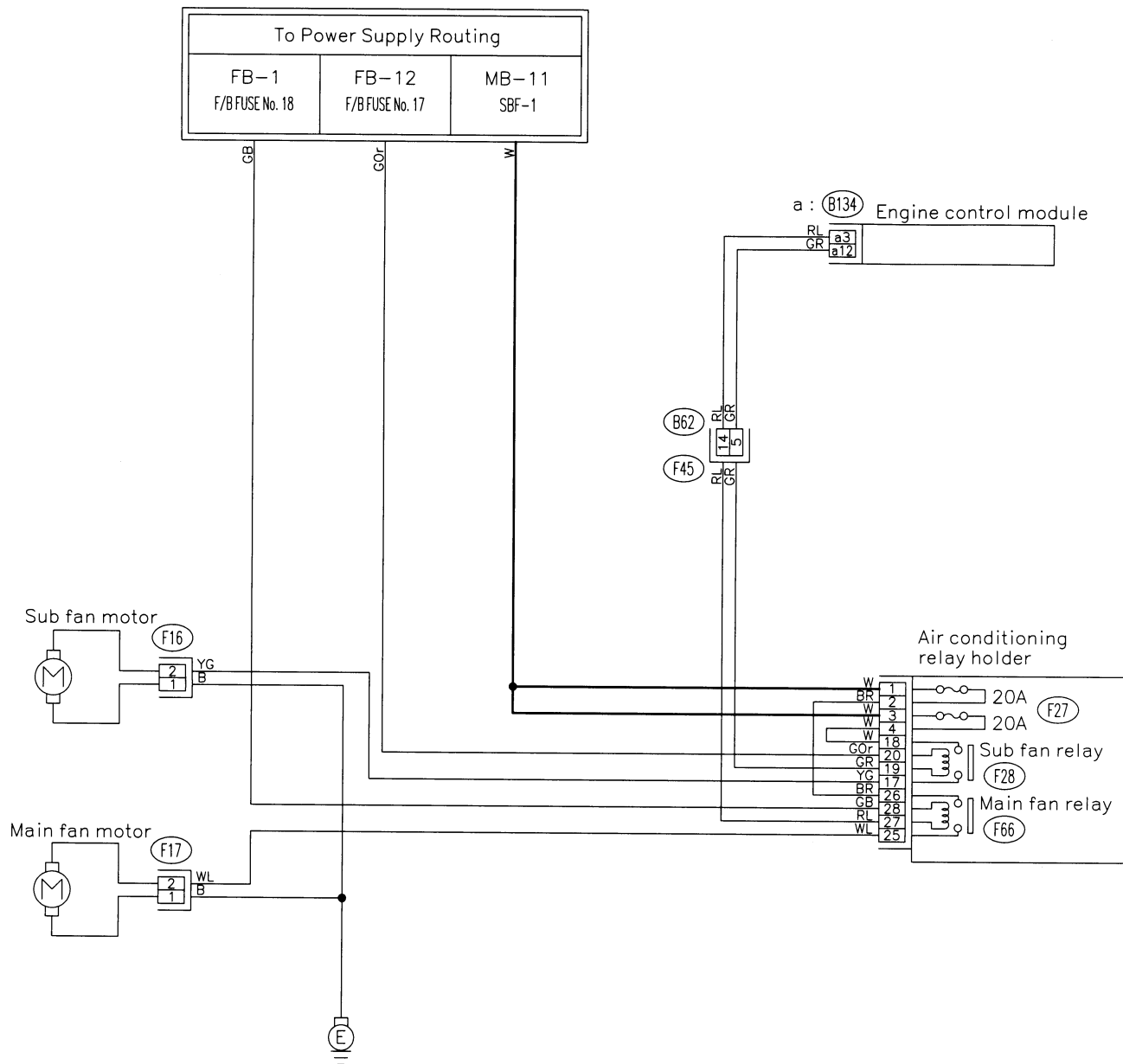


## 30. Radiator Fan System S903480

### A: SCHEMATIC S903480A21

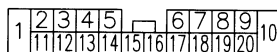


(F16) (Black)

(F17) (Black)



(B62)



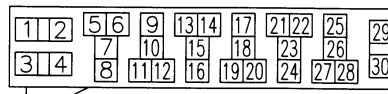
(F27)

(F31)

(F28)

(F66)

(F67)



a : (B134) 2200 cc engine model: (Non-colored)  
2500 cc engine model: (Black)

