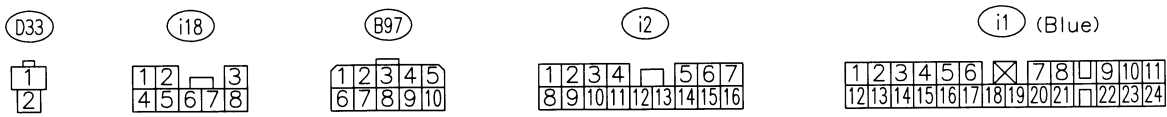
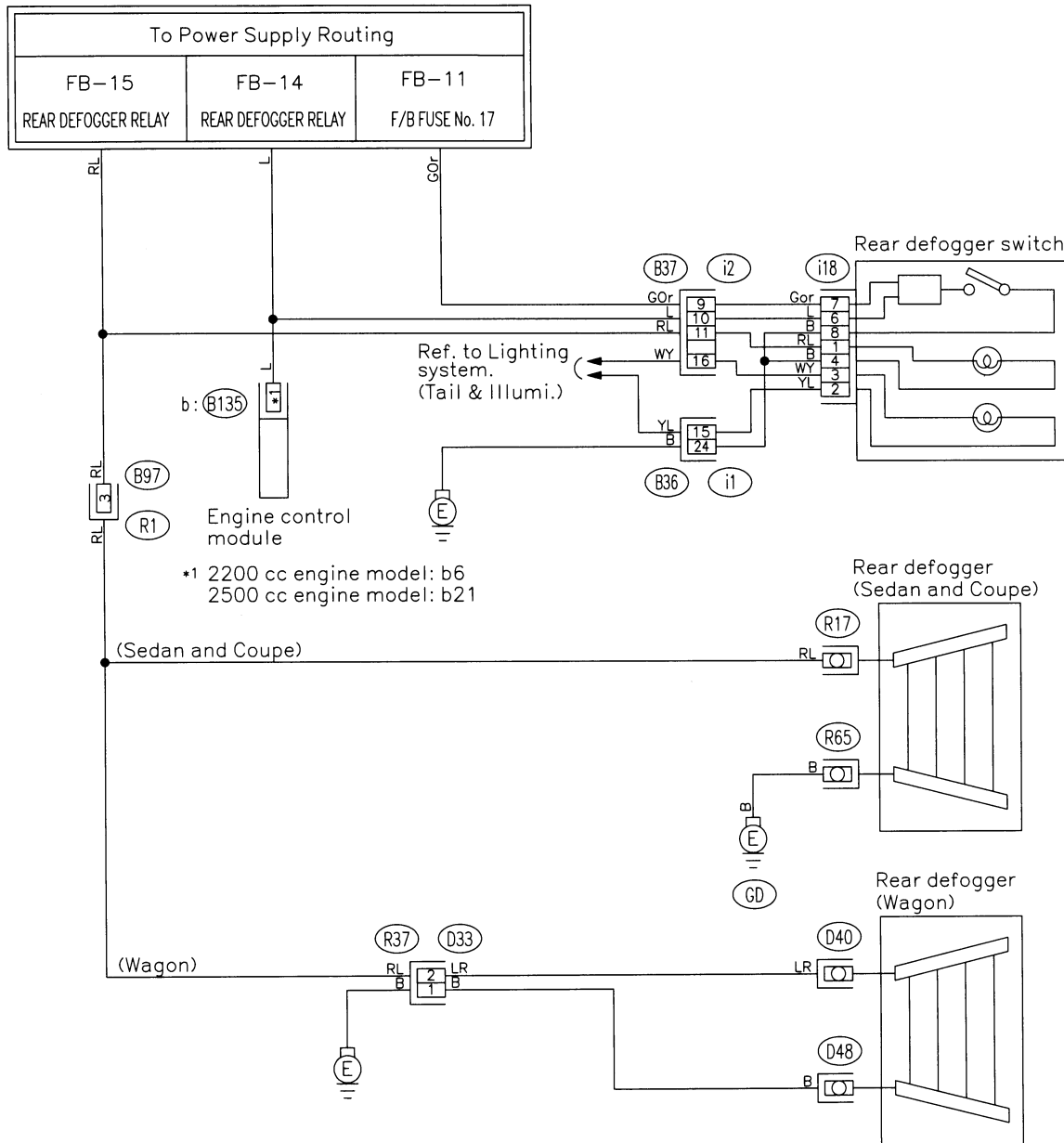


32. Rear Window Defogger System S903455

A: SCHEMATIC S903455A21



b: (B135) 2200 cc engine model: (Non-colored)
 2500 cc engine model: (Black)

