

# IDENTIFICATION

## IDENTIFICATION

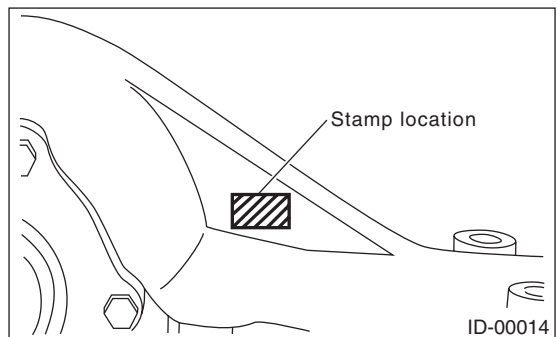
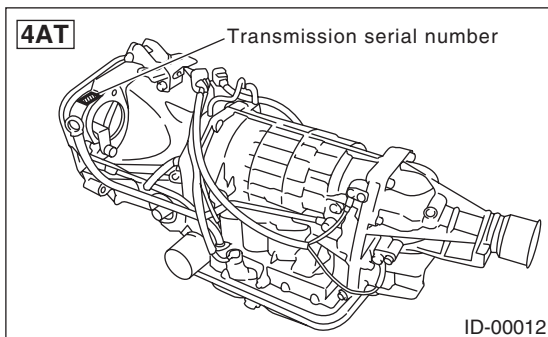
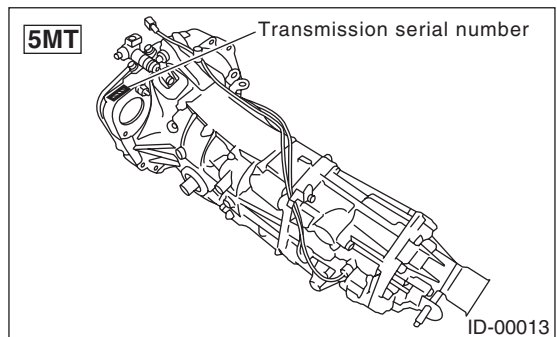
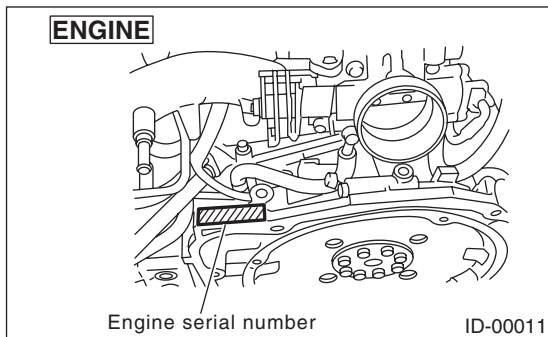
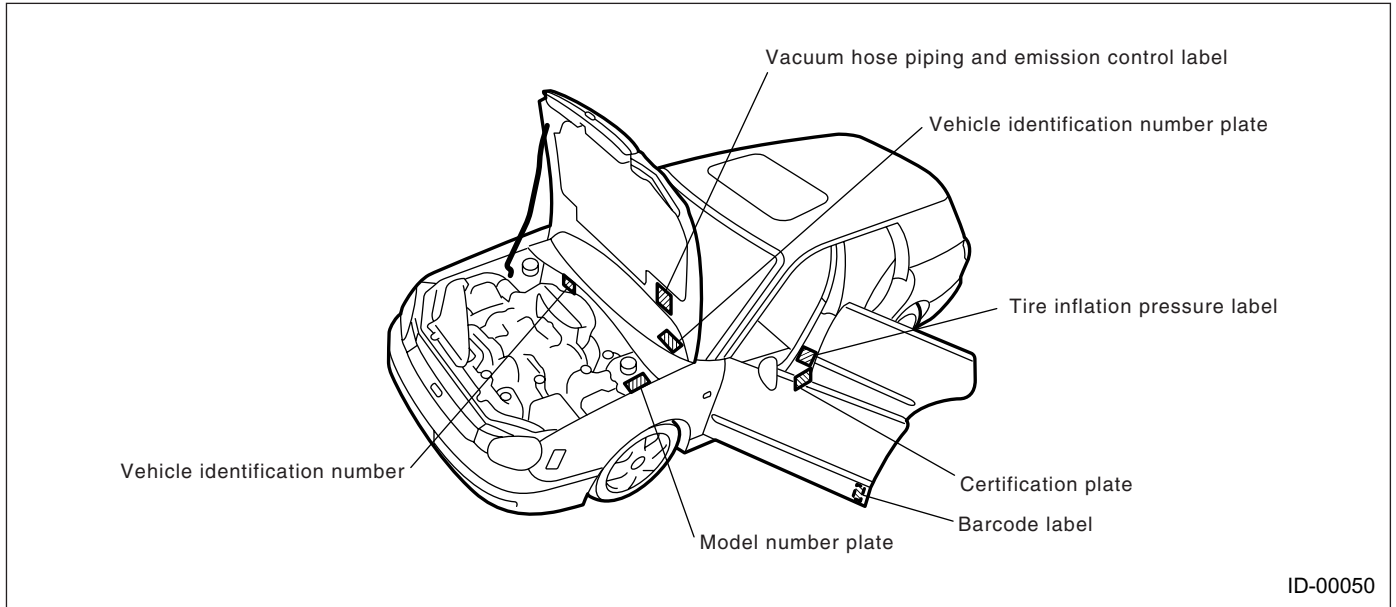
### 1. Identification

#### A: IDENTIFICATION

##### 1. IDENTIFICATION NUMBER AND LABEL LOCATIONS

The VIN (Vehicle Identification Numbers) is used to classify the vehicle.

Positioning of the plate label for identification





# IDENTIFICATION

## IDENTIFICATION

---

### 2. MEANING OF V.I.N.

The meaning of the VIN is as follows:

**JF1GD675X3G500001**

The starting and ending brackets ( [ ] ) are stop marks.

Digits	Code	Meaning	Details
1 to 3	JF1	Manufacturer body area	JF1: Passenger car, FHI made
4	G	Car line	G: IMPREZA
5	D	Body type	D: 4 Door Sedan G: Wagon
6	6	Displacement	2: 2.0 L AWD Turbo 6: 2.5 L AWD
7	7	Grade	5: TS 7: RS 8: OUTBACK 9: WRX
8	5	Restraint	5: Manual belts, dual airbag. 6: Manual belts, dual airbag, side airbag.
9	X	Check digit	0-9 & X
10	3	Model year	3: 2003MY 4: 2004MY 5: 2005MY
11	G	Transmission type	G: Full-time AWD 5-speed MT H: Full-time AWD 4-speed AT
12 to 17	500001	Serial number	500001-up: 4 Door Sedan 800001-up: Wagon

### 3. MODEL NUMBER PLATE

The model number plate indicates: the applied model, the option code, the trim code, the engine type, the transmission type, and the exterior color code. This information is helpful when placing orders for parts.

#### GDEBY6J

Digits	Code	Meaning	Details
1	G	Series	G: IMPREZA
2	D	Body style	D: 4 Door Sedan G: Wagon
3	E	Engine displacement Drive system Suspension system	A: 2.0 L AWD Turbo E: 2.5 L AWD
4	B	Minor change	B: Initial
5	Y	Destination	Y: Left-hand drive for United States and Canada
6	6	Grade	4: TS 6: RS 7: OUTBACK 8: WRX
7	J	Transmission, fuel feed system	R: SOHC MPI 4-speed AT P: DOHC B MPI 4-speed AT J: SOHC MPI 5-speed MT AWD D: DOHC B MPI 5-speed MT AWD

The engine and transmission type are as follows:

- **Engine**

#### EJ251BW4AB

Digits	Code	Meaning	Details
1 and 2	EJ	Engine type	EJ: 4 cylinders
3 and 4	25	Displacement	20: 2.0 L 25: 2.5 L
5	1	Fuel feed system	1: D-MPI SOHC-A 5: MPI Turbo
6	B	Exhaust regulations	—
7	W	Transmission	W: MT X: AT
8	4	Minor change	4: 4 is applied for this vehicle.
9 to 10	AB	Detailed specifications	Used when ordering parts. See the parts catalog for details.

# IDENTIFICATION

## IDENTIFICATION

### • Transmission

#### TY754VC2AA

Digits	Code	Meaning	Details
1	T	Transmission	T: Transmission
2	Y	Transmission type	Y: Full-time AWD MT center differential V: Full-time AWD AT center differential Z: Full-time AWD AT MPT
3 and 4	75	Classification	75: MT 1A: AT
5	4	Series	MT   4: 5 MT
			AT   4: AT
6	V	Transmission specifications	V: Full-time AWD 5-speed MT with viscous coupling center differential single range Z: Full-time AWD 4-speed AT with MPT Y: Full-time AWD 4-speed AT with VTD
7	C	Engine type	V,N: 920 DOHC TURBO C,F: 925 SOHC
8 to 10	2AA	Detailed specifications	Used when ordering parts. See the parts catalog for details.

### • Rear differential

#### EH

Code	Reduction gear ratio	LSD
EG	3.900	No
EH	4.111	No
EL	4.444	No
EJ	4.111	Viscous
EF	3.545	Viscous

### • Option code

#### U4FL

Digits	Code	Meaning	Details
1 and 2	U4	Destination	U4: North America CO: Canada
3 and 4	FL	Main option of vehicle	—