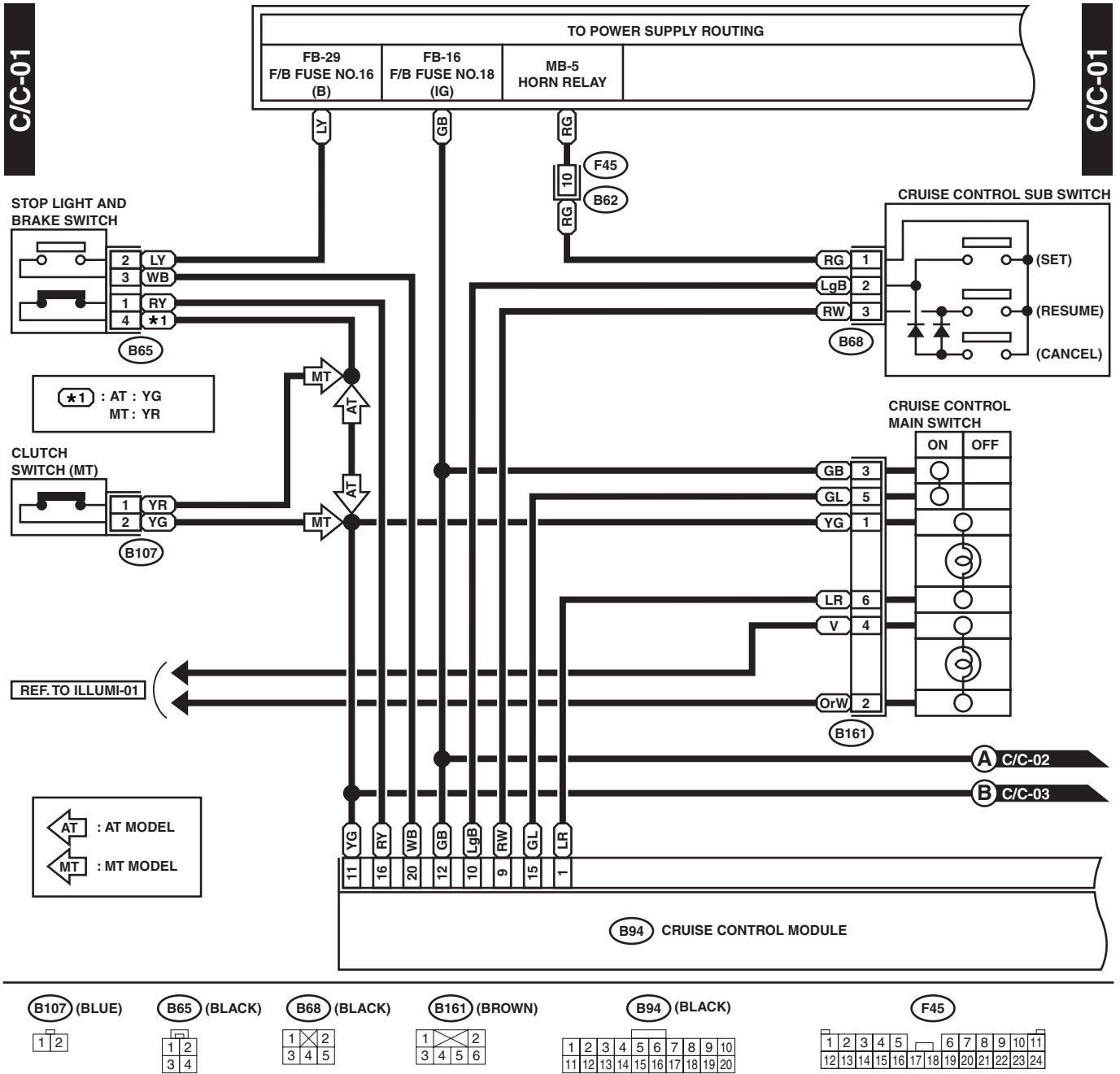


CRUISE CONTROL SYSTEM

WIRING SYSTEM

16. Cruise Control System

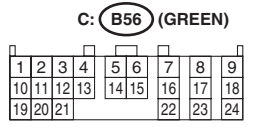
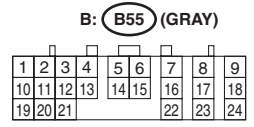
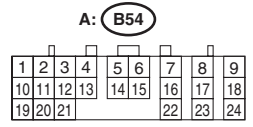
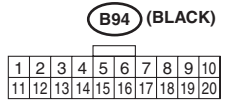
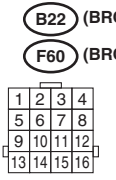
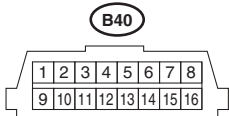
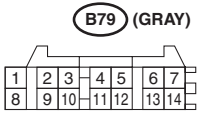
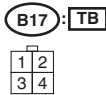
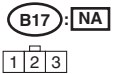
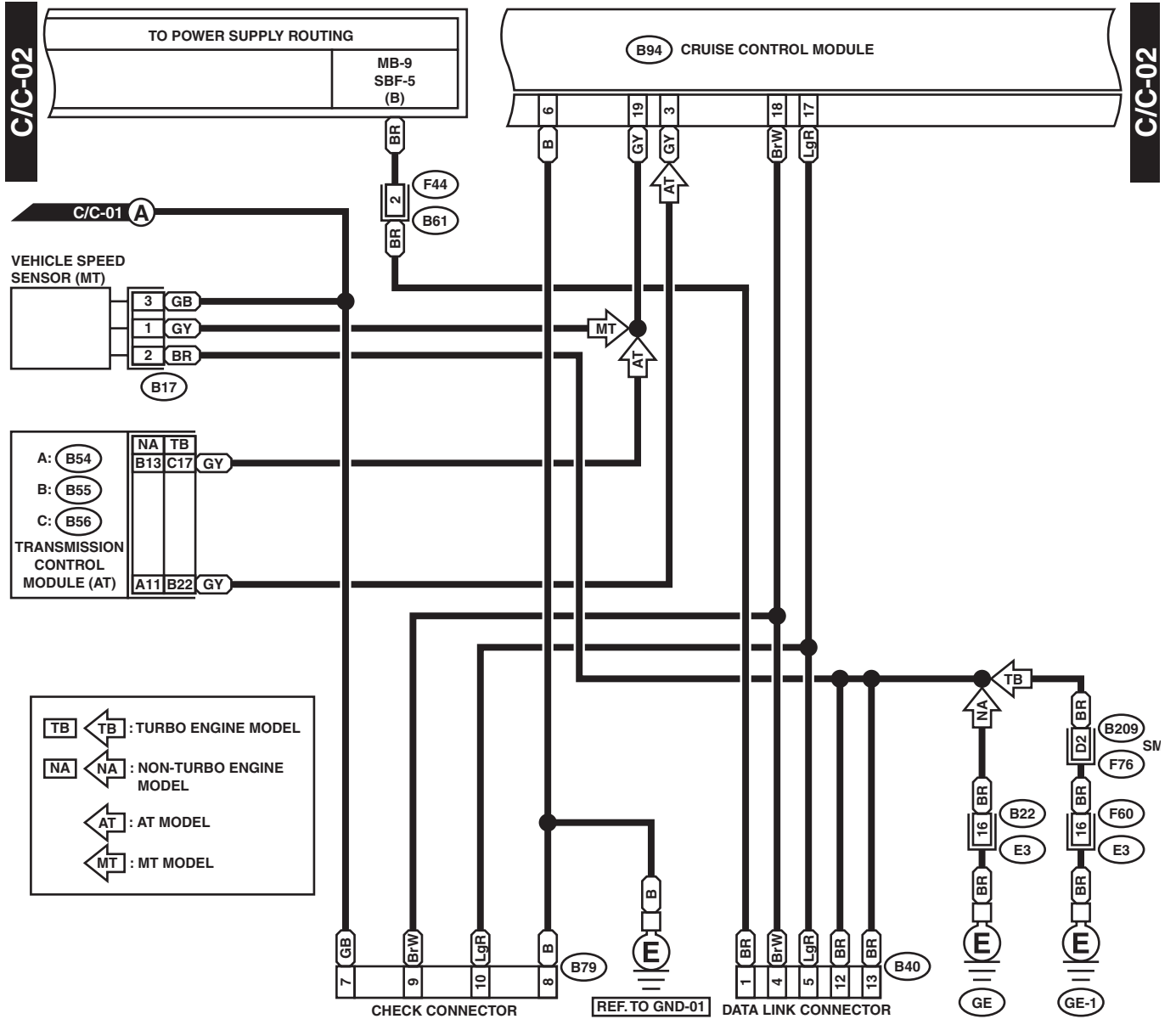
A: SCHEMATIC



WI-01123

CRUISE CONTROL SYSTEM

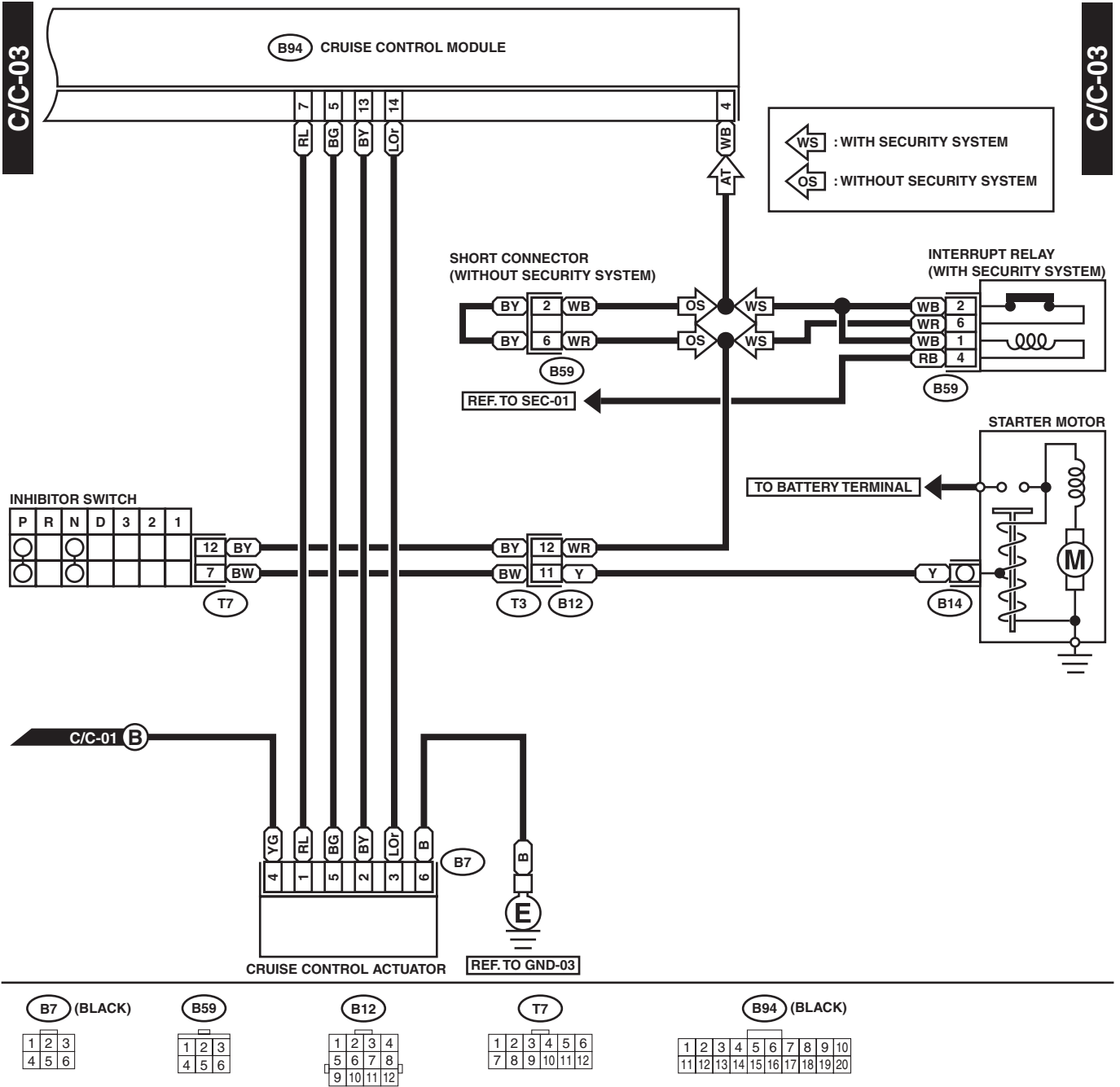
WIRING SYSTEM



WI-01124

CRUISE CONTROL SYSTEM

WIRING SYSTEM



WI-01125